

TENTATIVE TOSHIBA MOS DIGITAL INTEGRATED CIRCUIT SILICON GATE CMOS

**64 GBIT (8G × 8 BIT) CMOS NAND E<sup>2</sup>PROM (Triple-Level-Cell)****DESCRIPTION**

The TC58NVG6T2FTA00 is a single 3.3 V 64 Gbit (79,054,700,544 bits) NAND Electrically Erasable and Programmable Read-Only Memory (NAND E<sup>2</sup>PROM) organized as (8192 + 1024) bytes × 258 pages × 4156 blocks. The device has four 9216-byte static registers which allow program and read data to be transferred between the register and the memory cell array in 9216-byte increments. The Erase operation is implemented in a single block unit (2064 Kbytes + 258 Kbytes:9216 bytes x 258 pages).

The TC58NVG6T2FTA00 is a serial-type memory device which utilizes the I/O pins for both address and data input/output as well as for command inputs. The Erase and Program operations are automatically executed making the device most suitable for applications such as solid-state file storage, voice recording, image file memory for still cameras and other systems which require high-density non-volatile memory data storage.

**FEATURES**

- Organization
 

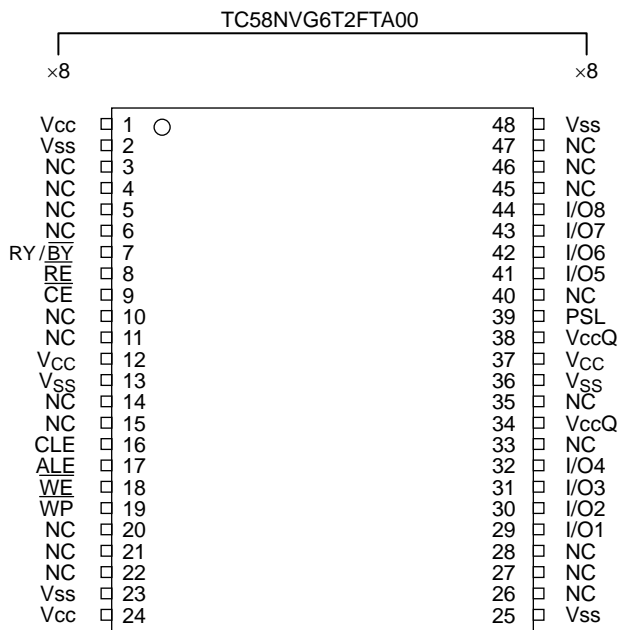
	TC58NVG6T2FTA00
Memory cell array	9216 × 1047.1171875K × 8
Register	9216 × 8
Page size	9216 bytes
Block size	(2064K + 258K) bytes
- Modes
  - Read, Reset, Auto Page Program, Auto Block Erase, Status Read, Multi Page Program, Multi Block Erase, Multi Page Read
- Mode control
  - Serial input/output
  - Command control
- Number of valid blocks
  - Min 4000 blocks
  - Max 4156 blocks
- Power supply
  - V<sub>CC</sub> = 2.7 V to 3.6 V
- Access time
 

Cell array to register	110 μs max
Serial Read Cycle	25 ns min
- Program/Erase time
 

Auto Page Program	2000 μs/page typ.
Auto Block Erase	3 ms/block typ.
- Operating current
 

Read (25 ns cycle)	50 mA max.
Program (avg.)	50mA max.
Erase (avg.)	50 mA max.
Standby	100 μA max
- Package
  - TSOP I 48-P-1220-0.50C (Weight: 0.53 g typ.)
- FOR RELIABILITY GUIDANCE, PLEASE REFER TO THE APPLICATION NOTES AND COMMENTS (15).  
60 bit ECC for each 1K bytes is required.

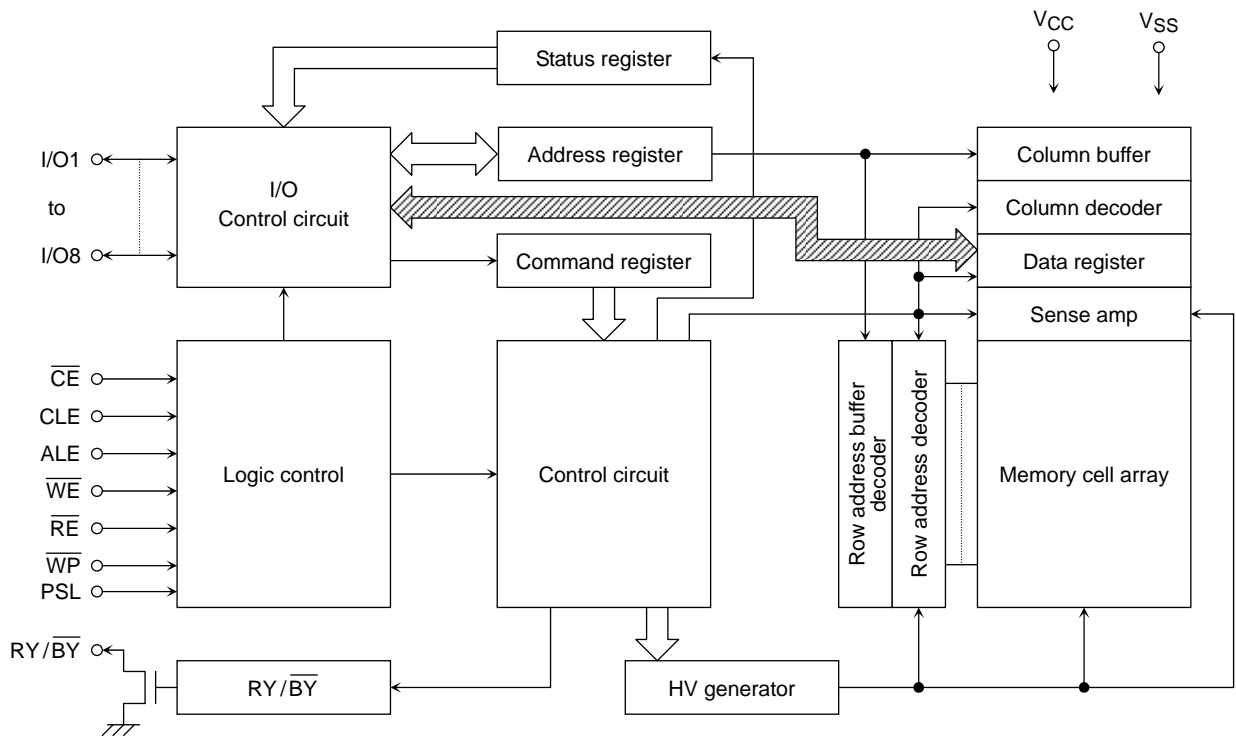
**PIN ASSIGNMENT (TOP VIEW)**



**PIN NAMES**

I/O1 ~ I/O8	I/O port
$\overline{CE}$	Chip enable
$\overline{WE}$	Write enable
$\overline{RE}$	Read enable
CLE	Command latch enable
ALE	Address latch enable
PSL	Power on select
$\overline{WP}$	Write protect
RY/BY	Ready/Busy
Vcc	Power supply
VccQ	I/O port power supply
Vss	Ground
N.C	No connection

**BLOCK DIAGRAM**



**ABSOLUTE MAXIMUM RATINGS**

SYMBOL	RATING	VALUE	UNIT
V <sub>CC</sub>	Power Supply Voltage	-0.6 to 4.6	V
V <sub>IN</sub>	Input Voltage	-0.6 to 4.6	V
V <sub>I/O</sub>	Input /Output Voltage	-0.6 V to V <sub>CC</sub> + 0.3 V (≤ 4.6 V)	V
P <sub>D</sub>	Power Dissipation	0.3	W
T <sub>SOLDER</sub>	Soldering Temperature (10 s)	260	°C
T <sub>STG</sub>	Storage Temperature	-55 to 150	°C
T <sub>OPR</sub>	Operating Temperature	0 to 70	°C

**CAPACITANCE** \*(T<sub>a</sub> = 25°C, f = 1 MHz)

SYMBOL	PARAMETER	CONDITION	MIN	MAX	UNIT
C <sub>IN</sub>	Input	V <sub>IN</sub> = 0 V	—	10	pF
C <sub>OUT</sub>	Output	V <sub>OUT</sub> = 0 V	—	10	pF

\* This parameter is periodically sampled and is not tested for every device.

**VALID BLOCKS\***

SYMBOL	PARAMETER	MIN	TYP.	MAX	UNIT
N <sub>VB</sub>	Number of Valid Blocks	4000	—	4156	Blocks

NOTE: The device occasionally contains unusable blocks. Refer to Application Note (11) toward the end of this document.  
 The first block (Block 0) is guaranteed to be a valid block at the time of shipment.  
 The specification for the minimum number of valid blocks is applicable over the device lifetime.

**RECOMMENDED DC OPERATING CONDITIONS**

SYMBOL	PARAMETER		MIN	TYP.	MAX	UNIT
V <sub>CC</sub>	Power Supply Voltage		2.7 V	—	3.6 V	V
V <sub>IH</sub>	High Level input Voltage	$2.7\text{ V} \leq V_{CC} \leq 3.6\text{ V}$	$0.8 \times V_{CC}$	—	$V_{CC} + 0.3$	V
V <sub>IL</sub>	Low Level Input Voltage	$2.7\text{ V} \leq V_{CC} \leq 3.6\text{ V}$	-0.3*	—	$0.2 \times V_{CC}$	V

\* -2 V (pulse width lower than 20 ns)

**DC CHARACTERISTICS (Ta = 0 to 70°C, V<sub>CC</sub> = 2.7 V to 3.6 V)**

SYMBOL	PARAMETER	CONDITION	MIN	TYP.	MAX	UNIT
I <sub>IL</sub>	Input Leakage Current	V <sub>IN</sub> = 0 V to V <sub>CC</sub>	—	—	±10	μA
I <sub>LO</sub>	Output Leakage Current	V <sub>OUT</sub> = 0 V to V <sub>CC</sub>	—	—	±10	μA
I <sub>CCO0</sub> *	Power On Reset Current	PSL = GND or NU	—	—	30	mA
		PSL = V <sub>CC</sub> , FFh command input after Power On	—	—	30	mA
I <sub>CCO1</sub>	Serial Read Current	$\overline{CE} = V_{IL}$ , I <sub>OUT</sub> = 0 mA, t <sub>cycle</sub> = 50 ns	—	—	50	mA
I <sub>CCO2</sub>	Programming Current	—	—	—	50	mA
I <sub>CCO3</sub>	Erasing Current	—	—	—	50	mA
I <sub>CCS</sub>	Standby Current	$\overline{CE} = V_{CC} - 0.2\text{ V}$ , $\overline{WP} = 0\text{ V}/V_{CC}$ , PSL=0V/V <sub>CC</sub> /NU	—	—	100	μA
V <sub>OH</sub>	High Level Output Voltage	I <sub>OH</sub> = -0.4 mA (2.7 V ≤ V <sub>CC</sub> ≤ 3.6 V)	2.4	—	—	V
V <sub>OL</sub>	Low Level Output Voltage	I <sub>OL</sub> = 2.1 mA (2.7 V ≤ V <sub>CC</sub> ≤ 3.6 V)	—	—	0.4	V
I <sub>OL</sub> (R <sub>Y</sub> / $\overline{B}$ Y)	Output current of R <sub>Y</sub> / $\overline{B}$ Y pin	V <sub>OL</sub> = 0.4 V (2.7 V ≤ V <sub>CC</sub> ≤ 3.6 V)	—	8	—	mA

\* Refer to application note(2) for detail

**AC CHARACTERISTICS AND RECOMMENDED OPERATING CONDITIONS**(Ta = 0 to 70°C, V<sub>CC</sub> = 2.7 V to 3.6 V)

SYMBOL	PARAMETER	MIN	MAX	UNIT
t <sub>CLS</sub>	CLE Setup Time	0	—	ns
t <sub>CLS2</sub>	CLE Setup Time	30	—	ns
t <sub>CLH</sub>	CLE Hold Time	5	—	ns
t <sub>CS</sub>	$\overline{CE}$ Setup Time	8	—	ns
t <sub>CS2</sub>	$\overline{CE}$ Setup Time	20	—	ns
t <sub>CH</sub>	$\overline{CE}$ Hold Time	5	—	ns
t <sub>WP</sub>	Write Pulse Width	12	—	ns
t <sub>ALS</sub>	ALE Setup Time	0	—	ns
t <sub>ALH</sub>	ALE Hold Time	5	—	ns
t <sub>DS</sub>	Data Setup Time	10	—	ns
t <sub>DH</sub>	Data Hold Time	5	—	ns
t <sub>WC</sub>	Write Cycle Time	25	—	ns
t <sub>WH</sub>	$\overline{WE}$ High Hold Time	10	—	ns
t <sub>WHW</sub> *	$\overline{WE}$ High Hold Time from final address to first data	200	—	ns
t <sub>WW</sub>	$\overline{WP}$ High to $\overline{WE}$ Low	100	—	ns
t <sub>RW</sub>	Ready to $\overline{WE}$ Falling Edge	20	—	ns
t <sub>RP</sub>	Read Pulse Width	12	—	ns
t <sub>RC</sub>	Read Cycle Time	25	—	ns
t <sub>REA</sub>	$\overline{RE}$ Access Time	—	20	ns
t <sub>REID</sub>	$\overline{RE}$ Access Time for ID Read	—	22	ns
t <sub>CR</sub>	$\overline{CE}$ Low to $\overline{RE}$ Low	10	—	ns
t <sub>CLR</sub>	CLE Low to $\overline{RE}$ Low	10	—	ns
t <sub>AR</sub>	ALE Low to $\overline{RE}$ Low	10	—	ns
t <sub>RHOH</sub>	Data Output Hold Time from $\overline{RE}$ High	25	—	ns
t <sub>RLOH</sub>	Data Output Hold Time from $\overline{RE}$ Low	5	—	ns
t <sub>RHZ</sub>	$\overline{RE}$ High to Output High Impedance	—	60	ns
t <sub>CHZ</sub>	$\overline{CE}$ High to Output High Impedance	—	30	ns
t <sub>CLHZ</sub>	CLE High to Output High Impedance	—	30	ns
t <sub>REH</sub>	$\overline{RE}$ High Hold Time	10	—	ns
t <sub>IR</sub>	Output-High-impedance-to- $\overline{RE}$ Falling Edge	0	—	ns
t <sub>RHW</sub>	$\overline{RE}$ High to $\overline{WE}$ Low	30	—	ns
t <sub>WHC</sub>	$\overline{WE}$ High to $\overline{CE}$ Low	30	—	ns
t <sub>WHR</sub>	$\overline{WE}$ High to $\overline{RE}$ Low for data output	400	—	ns
t <sub>WHS</sub>	$\overline{WE}$ High to $\overline{RE}$ Low for Status & ID Read	180	—	ns
t <sub>R1</sub>	Memory Cell Array to Starting Address	—	70	μs
t <sub>R2</sub>	Data Cache Busy in Read Cache (following 31h and 3Fh)	—	25	μs
t <sub>R3</sub>	Data Cache Busy in Read Cache (following 31h and 3Fh)	—	15	μs
t <sub>WB</sub>	$\overline{WE}$ High to Busy	—	100	ns
t <sub>RST</sub>	Device Reset Time (Ready/Read/Program/Erase)	—	10/10/30/200	μs

\* t<sub>WHW</sub> is the time from the  $\overline{WE}$  rising edge of final address cycle to the  $\overline{WE}$  falling edge of first data cycle.

**AC TEST CONDITIONS**

PARAMETER	CONDITION
	$2.7\text{ V} \leq V_{CC} \leq 3.6\text{ V}$
Input level	0 V to $V_{CC}$
Input pulse rise and fall time	3ns
Input comparison level	$V_{CC}/2$
Output data comparison level	$V_{CC}/2$
Output load	$C_L$ (50 pF) + 1 TTL

Note: Busy to ready time depends on the pull-up resistor tied to the  $\overline{RY}/\overline{BY}$  pin.  
(Refer to Application Note (7) toward the end of this document.)

**PROGRAMMING AND ERASING CHARACTERISTICS**

( $T_a = 0$  to  $70^\circ\text{C}$ ,  $V_{CC} = 2.7\text{ V}$  to  $3.6\text{ V}$ )

SYMBOL	PARAMETER	MIN	TYP.	MAX	UNIT	NOTES
$t_{\text{PROG}}$	Average Programming Time	—	2000	6000	$\mu\text{s}$	
$t_{\text{DCBSYW1}}$	Data Cache Busy Time in Write Cache (following 11h)	—	—	10	$\mu\text{s}$	
$t_{\text{DCBSYW2}}$	Data Cache Busy Time in Write Cache (following 15h)	—	—	10000	$\mu\text{s}$	(2)
$t_{\text{DCBSYW3}}$	Data Cache Busy Time in Write Cache (following 1Ah)	—	10	6000	$\mu\text{s}$	(3)
N	Number of Partial Program Cycles in the Same Page	—	—	—		(1)
$t_{\text{BERASE}}$	Block Erasing Time	—	3	10	ms	

(1) Refer to Application Note (10) toward the end of this document.

(2)  $t_{\text{DCBSYW2}}$  depends on the timing between internal programming time and data in time.

(3) In case of Program Operation with Data Cache,  $t_{\text{DCBSYW3}}$  depends on the timing between internal programming time and data in time.

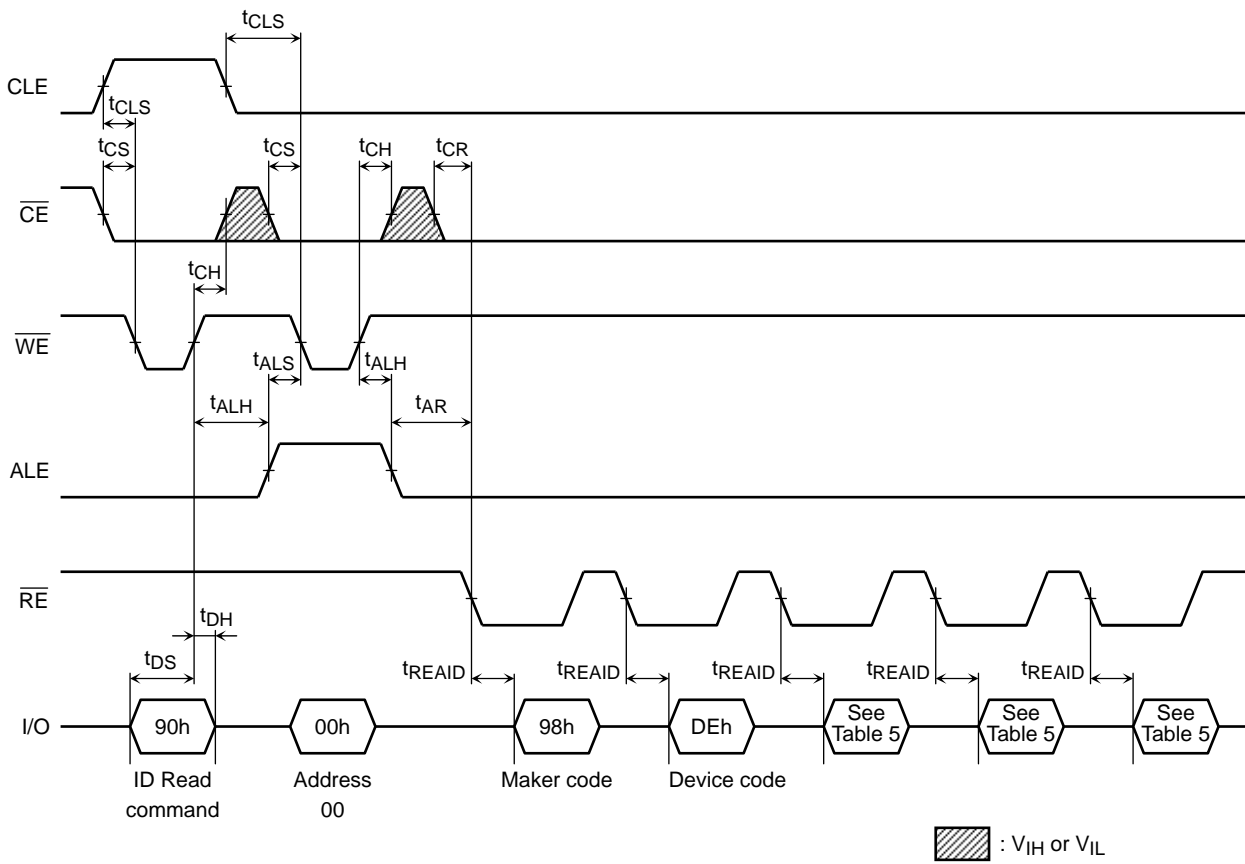
**Data Output**

When  $t_{\text{REH}}$  is long, output buffers are disabled by  $\overline{\text{RE}}=\text{High}$ , and the hold time of data output depend on  $t_{\text{RHOH}}$  (25 ns MIN). On this condition, waveforms look like normal serial read mode.

When  $t_{\text{REH}}$  is short, output buffers are not disabled by  $\overline{\text{RE}}=\text{High}$ , and the hold time of data output depend on  $t_{\text{RLOH}}$  (5ns MIN). On this condition, output buffers are disabled by the rising edge of  $\overline{\text{CLE}}$ ,  $\overline{\text{ALE}}$ ,  $\overline{\text{CE}}$  or falling edge of  $\overline{\text{WE}}$ , and waveforms look like Extended Data Output Mode.

Data Output can be output synchronously with the clock after  $05\text{h}+\text{Address}^*5\text{cycle}+\text{E0h}$  sequence.

ID Read Operation Timing Diagram



---

## PIN FUNCTIONS

The device is a serial access memory which utilizes time-sharing input of address information.

### Command Latch Enable: CLE

The CLE input signal is used to control loading of the operation mode command into the internal command register. The command is latched into the command register from the I/O port on the rising edge of the  $\overline{WE}$  signal while CLE is High.

### Address Latch Enable: ALE

The ALE signal is used to control loading address information into the internal address register. Address information is latched into the address register from the I/O port on the rising edge of  $\overline{WE}$  while ALE is High.

### Chip Enable: $\overline{CE}$

The device goes into a low-power Standby mode when  $\overline{CE}$  goes High during the device is in Ready state. The  $\overline{CE}$  signal is ignored when device is in Busy state ( $RY/\overline{BY} = L$ ), such as during a Program or Erase or Read operation, and will not enter Standby mode even if the  $\overline{CE}$  input goes High.

### Write Enable: $\overline{WE}$

The  $\overline{WE}$  signal is used to control the acquisition of data from the I/O port.

### Read Enable: $\overline{RE}$

The  $\overline{RE}$  signal controls serial data output. Data is available  $t_{REA}$  after the falling edge of  $\overline{RE}$ . The internal column address counter is also incremented (Address = Address + 1) on this falling edge.

### I/O Port: I/O1 to 8

The I/O1 to 8 pins are used as a port for transferring address, command and input/output data to and from the device.

### Write Protect: $\overline{WP}$

The  $\overline{WP}$  signal is used to protect the device from accidental programming or erasing. The internal voltage regulator is reset when  $\overline{WP}$  is Low. This signal is usually used for protecting the data during the power-on/off sequence when input signals are invalid.

### Ready/Busy: $RY/\overline{BY}$

The  $RY/\overline{BY}$  output signal is used to indicate the operating condition of the device. The  $RY/\overline{BY}$  signal is in Busy state ( $RY/\overline{BY} = L$ ) during the Program, Erase and Read operations and will return to Ready state ( $RY/\overline{BY} = H$ ) after completion of the operation. The output buffer for this signal is an open drain and has to be pulled-up to Vcc with an appropriate resistor.

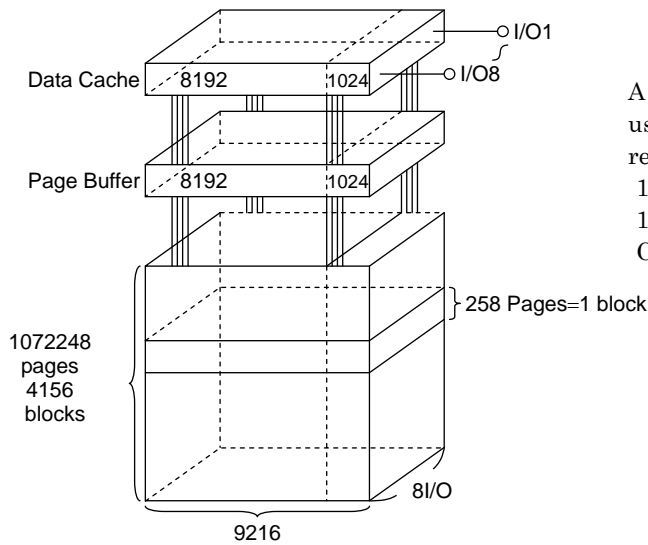
### Power on Select: PSL

The PSL signal is used to select whether the device initialization should take place during the device power on or during the first Reset. Please refer to the application note (2) for details.



Schematic Cell Layout and Address Assignment

The Program operation works on page units while the Erase operation works on block units.



A page consists of 9216 bytes in which 8192 bytes are used for main memory storage and 1024 bytes are for redundancy or for other uses.

1 page = 9216 bytes

1 block = 9216 bytes × 258 pages = (2064K + 258K)bytes

Capacity = 9216 bytes × 258 pages × 4156 blocks

An address is read in via the I/O port over five consecutive clock cycles, as shown in Table 1.

Table 1. Addressing

	I/O8	I/O7	I/O6	I/O5	I/O4	I/O3	I/O2	I/O1
First cycle	CA7	CA6	CA5	CA4	CA3	CA2	CA1	CA0
Second cycle	L	L	CA13	CA12	CA11	CA10	CA9	CA8
Third cycle	L	PA6	PA5	PA4	PA3	PA2	PA1	PA0
Fourth cycle	PA14	PA13	PA12	PA11	PA10	PA9	PA8	PA7
Fifth cycle	L	L	L	PA19	PA18	PA17	PA16	PA15

CA0 to CA13: Column address  
PA0 to PA19: Page address

PA0 to PA6: WL address in a block  
PA7 to PA19: Block address

Note)

- (a) Block address (PA7 to PA19) can only be selected between Block 0 and Block 4155.
- (b) WL address in a block (PA0 to PA6) can only be selected between WL 0 and WL 85.
- (c) There are Lower/Middle/Upper address in a WL, which is selected 01/02/03h command.

Input of the address other than specified above is invalid.

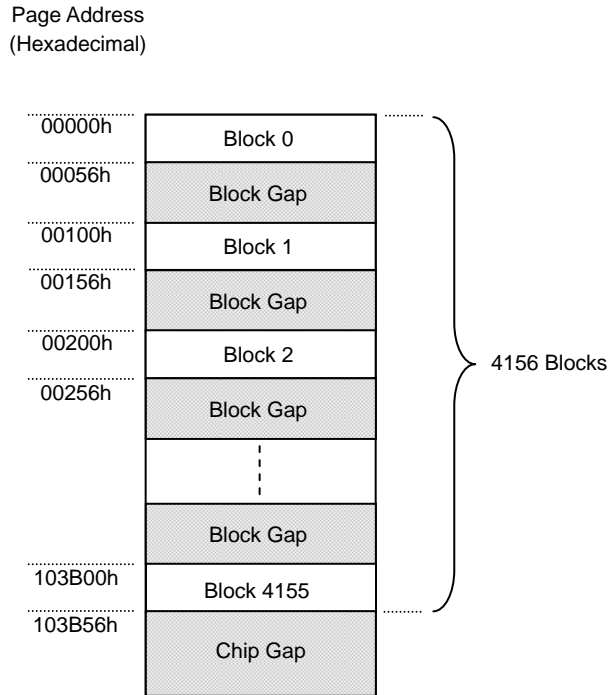
If those unspecified addresses are inputted in program or erase operation, the device will output a fail status to respond to status read command.

In case of read operation, some invalid data will be outputted by the device.

Please refer to Application Note (12) toward the end of this document for block management.

Block Arrangement

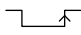


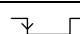
The device has block gaps and chip gap(s). Block arrangement is as follows.



Operation Mode: Logic and Command Tables

The operation modes such as Program, Erase, Read and Reset are controlled by command operations shown in Table 3. Address input, command input and data input/output are controlled by the CLE, ALE,  $\overline{CE}$ ,  $\overline{WE}$ ,  $\overline{RE}$  and  $\overline{WP}$  signals, as shown in Table 2.

Table 2. Logic Table

	CLE	ALE	$\overline{CE}$	$\overline{WE}$	$\overline{RE}$	$\overline{WP}$ *1	PSL *3
Command Input	H	L	L		H	*	0V/ V <sub>CC</sub> / NU
Data Input	L	L	L		H	H	0V/ V <sub>CC</sub> / NU
Address input	L	H	L		H	*	0V/ V <sub>CC</sub> / NU
Serial Data Output	L	L	L	H		*	0V/ V <sub>CC</sub> / NU
During Program (Busy)	*	*	*	*	*	H	0V/ V <sub>CC</sub> / NU
During Erase (Busy)	*	*	*	*	*	H	0V/ V <sub>CC</sub> / NU
During Read (Busy)	*	*	H	*	*	*	0V/ V <sub>CC</sub> / NU
	*	*	L	H (*2)	H (*2)	*	0V/ V <sub>CC</sub> / NU
Program, Erase Inhibit	*	*	*	*	*	L	0V/ V <sub>CC</sub> / NU
Standby	*	*	H	*	*	0 V/V <sub>CC</sub>	0V/ V <sub>CC</sub> / NU

H: V<sub>IH</sub>, L: V<sub>IL</sub>, \*: V<sub>IH</sub> or V<sub>IL</sub>

\*1: Refer to Application Note (8) toward the end of this document regarding the  $\overline{WP}$  signal when Program or Erase Inhibit

\*2: If  $\overline{CE}$  is low during read busy,  $\overline{WE}$  and  $\overline{RE}$  must be held High to avoid unintended command/address input to the device or read to device. Reset or Status Read command can be input during Read Busy.

\*3: PSL must be tied to either 0V or V<sub>cc</sub>, or left unconnected (NU).

Table 3. Command table (HEX)

	First Cycle	Second Cycle	Acceptable while Busy
Serial Data Input	80	—	
Read	00	30	
Data Out & Column Address Change in Serial Data Output	05	E0	
Next page Read with WL address increment	31	—	
Next page Read w/o WL address increment	3F	—	
Set 1 <sup>st</sup> Program Mode	09		
Set 2 <sup>nd</sup> Program Mode	0D		
Lower page select	01		
Middle page select	02		
Upper page select	03		
Auto Page Program	80	10	
Column Address Change in Serial Data Input	85	—	
Auto Program with Data Cache	80	15	
Multi Page Program	80	11	
Input data to page Buffer	80	1A	
Auto Block Erase	60	D0	
ID Read	90	—	
Status Read	70	—	○
Status Read for Multi-Page Program	71	—	○
Reset	FF	—	○

HEX data bit assignment  
(Example)

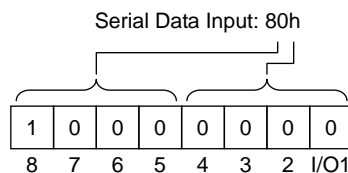


Table 4 shows the operation states for Read mode, when t<sub>REH</sub> is long.

Table 4. Read mode operation states

	CLE	ALE	$\overline{CE}$	$\overline{WE}$	$\overline{RE}$	I/O1 to I/O8	Power
Output select	L	L	L	H	L	Data output	Active
Output Deselect	L	L	L	H	H	High impedance	Active

H: V<sub>IH</sub>, L: V<sub>IL</sub>,

ID Read

The device contains ID codes which can be used to identify the device type, the manufacturer, and features of the device. The ID codes can be read out under the following timing conditions:

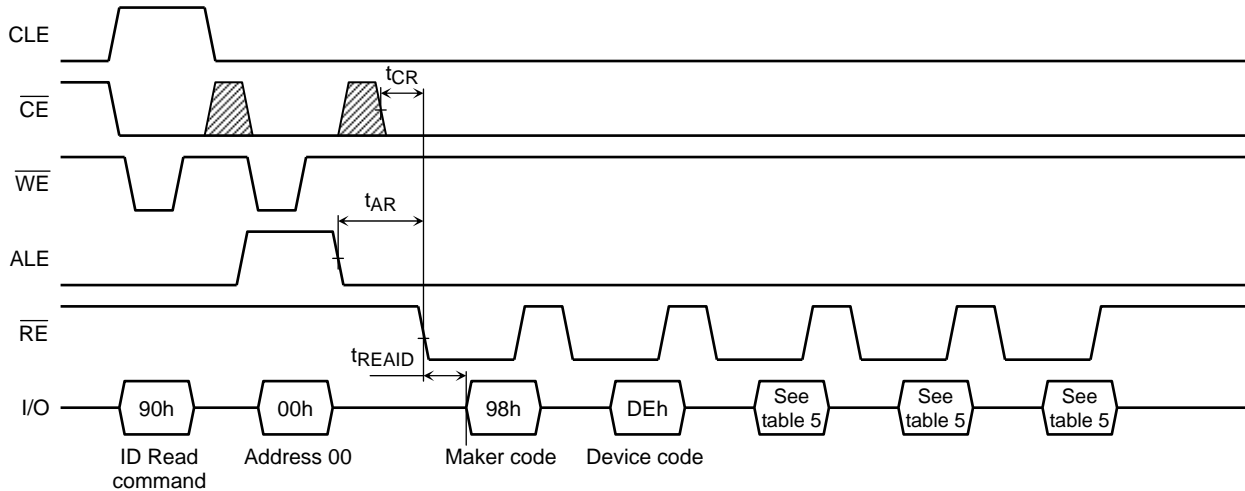


Table 5. Code table

	Description	I/O8	I/O7	I/O6	I/O5	I/O4	I/O3	I/O2	I/O1	Hex Data
1st Data	Maker Code	1	0	0	1	1	0	0	0	98h
2nd Data	Device Code	1	1	0	1	1	1	1	0	DEh
3rd Data	Chip Number, Cell Type	—	—	—	—	—	—	—	—	See table
4th Data	Page Size, Block Size, Redundant Size, Organization	—	—	—	—	—	—	—	—	See table
5th Data	Extended Block	—	—	—	—	—	—	—	—	See table

2nd Data

Description		I/O8	I/O7	I/O6	I/O5	I/O4	I/O3	I/O2	I/O1	Hex Data
Memory Density per each /CE	8 Gbits	1	1	0	1	0	0	1	1	D3h
	16 Gbits	1	1	0	1	0	1	0	1	D5h
	32 Gbits	1	1	0	1	0	1	1	1	D7h
	64 Gbits	1	1	0	1	1	1	1	0	DEh
	128 Gbits	0	0	1	1	1	0	1	0	3Ah
	256 Gbits	0	0	1	1	1	1	0	0	3Ch

3rd Data

Description		I/O8	I/O7	I/O6	I/O5	I/O4	I/O3	I/O2	I/O1
Internal Chip Number per each /CE	1							0	0
	2							0	1
	4							1	0
	8							1	1
Cell Type	2 level cell						0	0	
	4 level cell						0	1	
	8 level cell						1	0	
	16 level cell						1	1	
Reserved		0 or 1	0	0 or 1	0 or 1				

### 4th Data

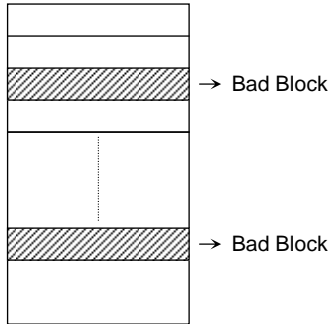
	Description	I/O8	I/O7	I/O6	I/O5	I/O4	I/O3	I/O2	I/O1
Page Size (without redundant area)	2 KB							0	0
	4 KB							0	1
	8 KB							1	0
	Reserved							1	1
Block Size (without redundant area)	Default Value	1		0	0				
	Reserved			0 or 1	0 or 1				
Redundant area size	Default Value		0			0	0		
	Reserved					0 or 1	0 or 1		

### 5th Data

	Description	I/O8	I/O7	I/O6	I/O5	I/O4	I/O3	I/O2	I/O1
Plane Number per each /CE	1					0	0		
	2					0	1		
	4					1	0		
	8					1	1		
Reserved		0 or 1	0 or 1	0 or 1	0 or 1			0 or 1	0 or 1

(11) Invalid blocks (bad blocks)

The device occasionally contains unusable blocks. Therefore, the following issues must be recognized:



At the time of shipment, the bad block information is marked on each bad block. Please do not perform an erase operation to bad blocks. It may be impossible to recover the bad block information, if the information is erased.

Check if the device has any bad blocks after installation into the system. Refer to the test flow for bad block detection. Bad blocks which are detected by the test flow must be managed as unusable blocks by the system.

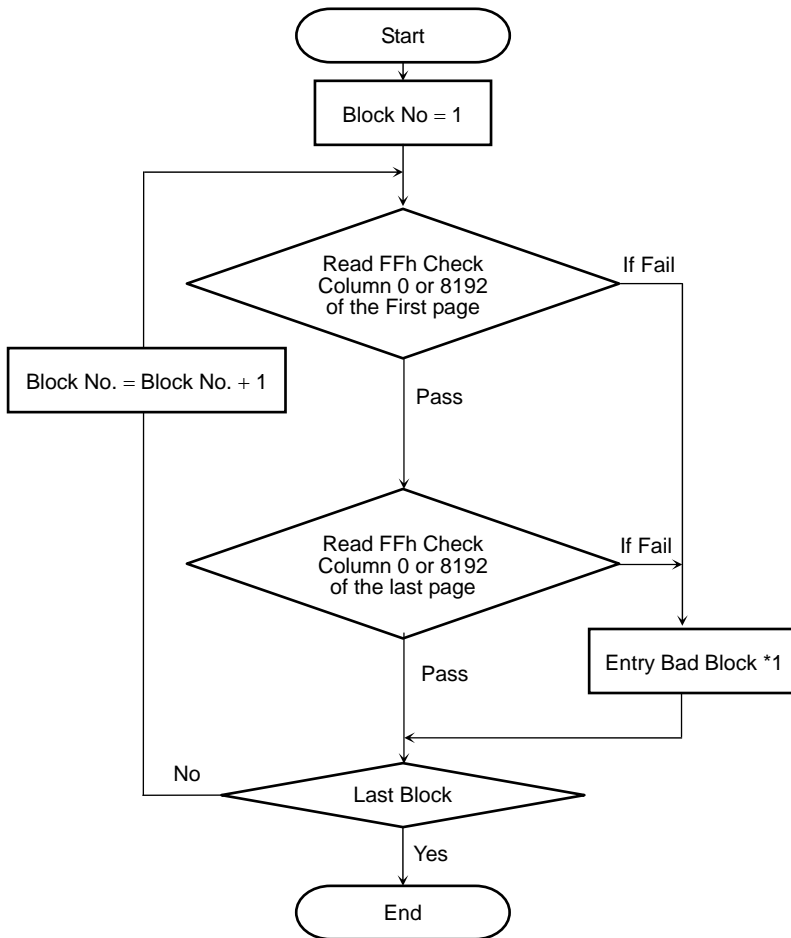
A bad block does not affect the performance of good blocks because it is isolated from the bit lines by select gates.

The number of valid blocks over the device lifetime is as follows:

	MIN	TYP.	MAX	UNIT
Valid (Good) Block Number	4000	—	4156	Block

**Bad Block Test Flow**

Regarding invalid blocks, bad block mark is in both the 1st and the last page.



\*1:No erase operation is allowed to detected bad blocks.

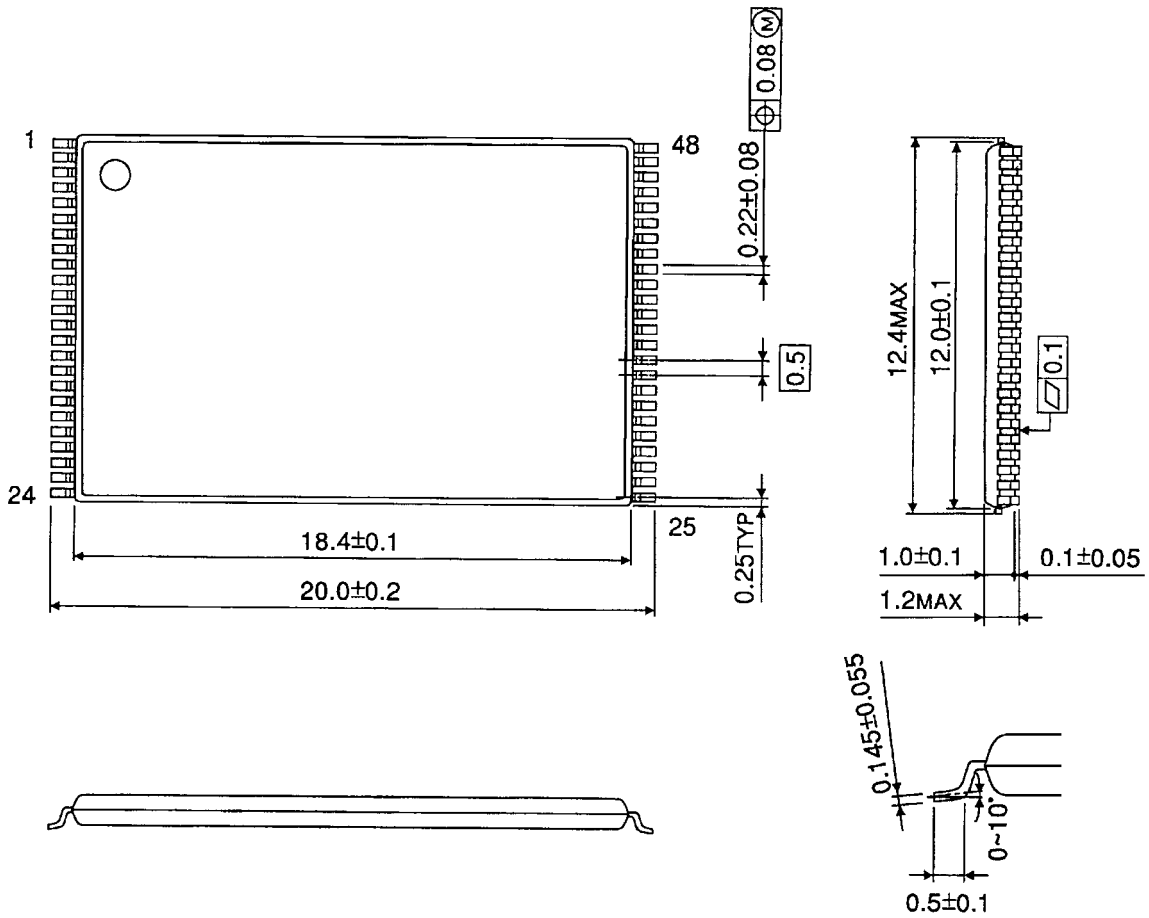
\*2:Bad column detection should be operated before detecting bad block information and Bad Columns should be skipped when bad block information is read.

(for example) In case of Column 0 or 8192 is Bad Column, it should be checked the next Column(Column 1 or 8193).

Package Dimensions

TSOP I 48-P-1220-0.50

Unit : mm



Weight: 0.53 g (typ.)



---

**RESTRICTIONS ON PRODUCT USE**

- Toshiba Corporation, and its subsidiaries and affiliates (collectively "TOSHIBA"), reserve the right to make changes to the information in this document, and related hardware, software and systems (collectively "Product") without notice.
- This document and any information herein may not be reproduced without prior written permission from TOSHIBA. Even with TOSHIBA's written permission, reproduction is permissible only if reproduction is without alteration/omission.
- Though TOSHIBA works continually to improve Product's quality and reliability, Product can malfunction or fail. Customers are responsible for complying with safety standards and for providing adequate designs and safeguards for their hardware, software and systems which minimize risk and avoid situations in which a malfunction or failure of Product could cause loss of human life, bodily injury or damage to property, including data loss or corruption. Before customers use the Product, create designs including the Product, or incorporate the Product into their own applications, customers must also refer to and comply with (a) the latest versions of all relevant TOSHIBA information, including without limitation, this document, the specifications, the data sheets and application notes for Product and the precautions and conditions set forth in the "TOSHIBA Semiconductor Reliability Handbook" and (b) the instructions for the application with which the Product will be used with or for. Customers are solely responsible for all aspects of their own product design or applications, including but not limited to (a) determining the appropriateness of the use of this Product in such design or applications; (b) evaluating and determining the applicability of any information contained in this document, or in charts, diagrams, programs, algorithms, sample application circuits, or any other referenced documents; and (c) validating all operating parameters for such designs and applications. **TOSHIBA ASSUMES NO LIABILITY FOR CUSTOMERS' PRODUCT DESIGN OR APPLICATIONS.**
- Product is intended for use in general electronics applications (e.g., computers, personal equipment, office equipment, measuring equipment, industrial robots and home electronics appliances) or for specific applications as expressly stated in this document. Product is neither intended nor warranted for use in equipment or systems that require extraordinarily high levels of quality and/or reliability and/or a malfunction or failure of which may cause loss of human life, bodily injury, serious property damage or serious public impact ("Unintended Use"). Unintended Use includes, without limitation, equipment used in nuclear facilities, equipment used in the aerospace industry, medical equipment, equipment used for automobiles, trains, ships and other transportation, traffic signaling equipment, equipment used to control combustions or explosions, safety devices, elevators and escalators, devices related to electric power, and equipment used in finance-related fields. Do not use Product for Unintended Use unless specifically permitted in this document.
- Do not disassemble, analyze, reverse-engineer, alter, modify, translate or copy Product, whether in whole or in part.
- Product shall not be used for or incorporated into any products or systems whose manufacture, use, or sale is prohibited under any applicable laws or regulations.
- The information contained herein is presented only as guidance for Product use. No responsibility is assumed by TOSHIBA for any infringement of patents or any other intellectual property rights of third parties that may result from the use of Product. No license to any intellectual property right is granted by this document, whether express or implied, by estoppel or otherwise.
- **ABSENT A WRITTEN SIGNED AGREEMENT, EXCEPT AS PROVIDED IN THE RELEVANT TERMS AND CONDITIONS OF SALE FOR PRODUCT, AND TO THE MAXIMUM EXTENT ALLOWABLE BY LAW, TOSHIBA (1) ASSUMES NO LIABILITY WHATSOEVER, INCLUDING WITHOUT LIMITATION, INDIRECT, CONSEQUENTIAL, SPECIAL, OR INCIDENTAL DAMAGES OR LOSS, INCLUDING WITHOUT LIMITATION, LOSS OF PROFITS, LOSS OF OPPORTUNITIES, BUSINESS INTERRUPTION AND LOSS OF DATA, AND (2) DISCLAIMS ANY AND ALL EXPRESS OR IMPLIED WARRANTIES AND CONDITIONS RELATED TO SALE, USE OF PRODUCT, OR INFORMATION, INCLUDING WARRANTIES OR CONDITIONS OF MERCHANTABILITY, FITNESS FOR A PARTICULAR PURPOSE, ACCURACY OF INFORMATION, OR NONINFRINGEMENT.**
- Do not use or otherwise make available Product or related software or technology for any military purposes, including without limitation, for the design, development, use, stockpiling or manufacturing of nuclear, chemical, or biological weapons or missile technology products (mass destruction weapons). Product and related software and technology may be controlled under the Japanese Foreign Exchange and Foreign Trade Law and the U.S. Export Administration Regulations. Export and re-export of Product or related software or technology are strictly prohibited except in compliance with all applicable export laws and regulations.
- Product is subject to foreign exchange and foreign trade control laws.
- Please contact your TOSHIBA sales representative for details as to environmental matters such as the RoHS compatibility of Product. Please use Product in compliance with all applicable laws and regulations that regulate the inclusion or use of controlled substances, including without limitation, the EU RoHS Directive. TOSHIBA assumes no liability for damages or losses occurring as a result of noncompliance with applicable laws and regulations.