

INTEGRATED FAN / MOTOR DRIVER

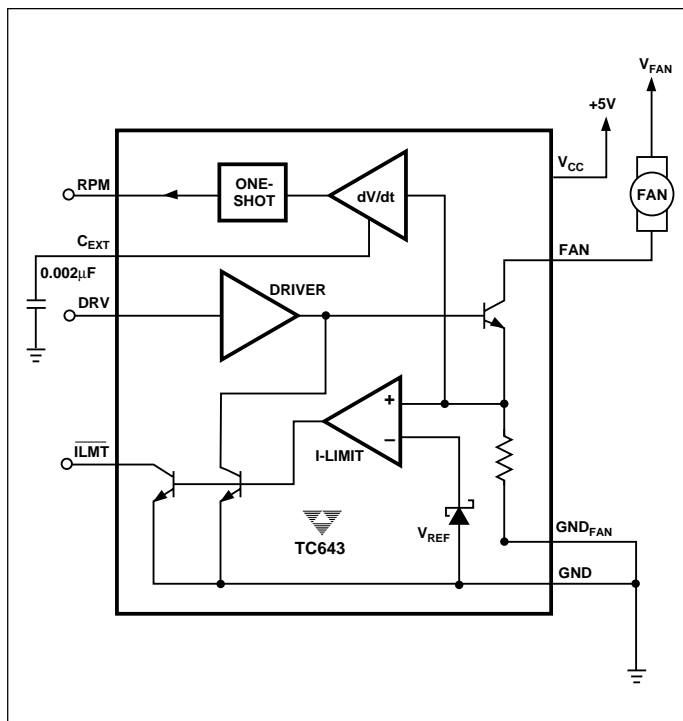
FEATURES

- Integrates Current Limited Power Driver and Diagnostic/Monitoring Circuits in a Single IC
- Works with Standard DC Brushless Fans/Motors
- Supports Efficient PWM Drive with Logic-Level Input
- Supply Range 2.7V to 5.5V
- Motor Voltage Independent of TC643 Supply Voltage; Supports 3V-15V Fans!
- Logic-Level Output Provides RPM Data
- Optimized For Use as a Microcontroller Peripheral
- Eliminates Discrete Components and Analog Circuit Design Effort
- Internal Thermal Shutdown For Fail-safe Operation
- Available in 8-Pin PDIP, SOIC, and MSOP Packaging

APPLICATIONS

- General Purpose Fan or Motor Speed Control
- Power Supplies
- Portable and Desktop Computers
- Telecom Equipment, Servers
- UPS's, Power Amps, etc.

FUNCTIONAL BLOCK DIAGRAM



GENERAL DESCRIPTION

The TC643 is a switchmode brushless DC fan/motor speed driver with diagnostic circuits. External components are kept to a minimum by integrating the power transistor on chip. Any logic-level signal can be used to drive the on-chip Power Driver. The output is current limited and a logic-level indication, \overline{ILMT} , is provided to indicate an over-current condition.

The RPM output gives an indication of motor RPM. Each time the motor current is interrupted by commutation, a logic pulse occurs on RPM. The fundamental frequency of the resulting square wave is (4 x rpm). See the *Applications* section for more information and system design guidelines.

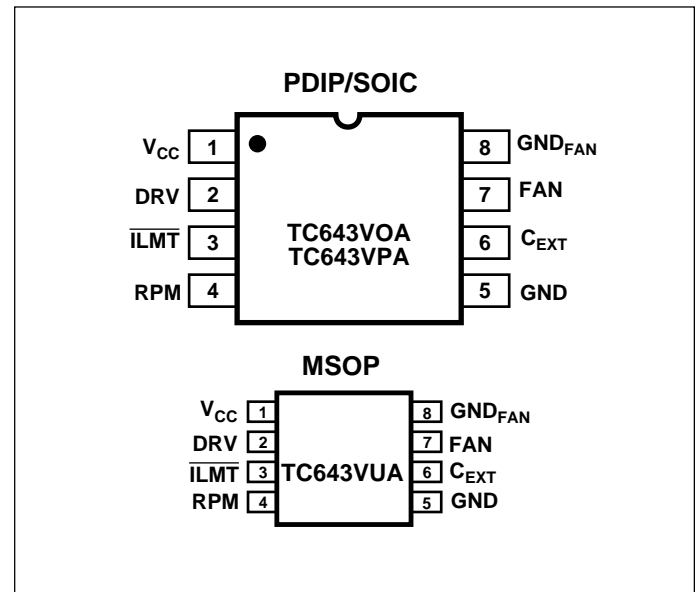
The TC643 mates easily with microcontrollers or other digital logic to form a complete motor or fan control and monitoring system, featuring: Variable Speed PWM Drive; RPM Indication; and Motor Open / Motor Shorted / Motor Locked Fault Detection.

The TC643 is available in a standard 8-pin plastic DIP, SOIC, and MSOP package.

ORDERING INFORMATION

Part No.	Package	Temp. Range
TC643VOA	8-Pin SOIC	0°C to +85°C
TC643VPA	8-Pin Plastic DIP	0°C to +85°C
TC643VUA	8-Pin MSOP	0°C to +85°C

PIN CONFIGURATIONS



INTEGRATED FAN / MOTOR DRIVER

TC643

ABSOLUTE MAXIMUM RATINGS*

Package Power Dissipation ($T_A \leq 70^\circ\text{C}$)	
Plastic DIP	730mW
Small Outline (SOIC)	470mW
MSOP	320mW
Derating Factors	8mW/ $^\circ\text{C}$
Supply Voltage	6V
Input Voltage, Any Pin	(GDN – 0.3V) to ($V_{CC} + 0.3\text{V}$)
Operating Temperature (Note 3)	– 40 $^\circ\text{C}$ to +125 $^\circ\text{C}$
Maximum Chip Temperature (Note 3)	+150 $^\circ\text{C}$

Storage Temperature	– 65 $^\circ\text{C}$ to +150 $^\circ\text{C}$
Lead Temperature (Soldering, 10 sec)	+300 $^\circ\text{C}$

*Stresses above those listed under "Absolute Maximum Ratings" may cause permanent damage to the device. These are stress ratings only and functional operation of the device at these or any other conditions above those indicated in the operation sections of the specifications is not implied. Exposure to Absolute Maximum Rating conditions for extended periods may affect device reliability.

ELECTRICAL CHARACTERISTICS: Over Operating Temperature Range, $V_{CC} = 3.0\text{V}$ to $5.5\text{V} \pm 10\%$, GND = GND_{FAN} = 0V, unless otherwise specified.

Symbol	Parameter	Test Conditions	Min	Typ	Max	Units
V_{CC}	Supply Voltage		2.7	5	5.5	V
I_{CC}	Supply Current, Operating	$I_L = 300\text{mA}$	—	16	24	mA
$I_{DD}(\text{SHDN})$	Supply Current, Shutdown Mode	DRV < V_{IL} ; $\overline{\text{ILMT}}$, RPM Open	—	.9	2	mA
I_{LIMIT}	Preset Current Limit		—	500	—	mA
C_{EXT}	Differentiator Capacitor	Note 1	—	0.002	—	μF
Power Driver						
V_{FAN}	Breakdown Voltage at Fan	DRV $\leq V_{IL}$	15	—	—	V
$V_{CE(\text{SAT})}$	Saturation Voltage (Voltage at FAN)	Duty Cycle = 90%; $V_{FAN} = 12.0\text{V}$ $I_{FAN} = 300\text{mA DC}$ $I_{FAN} = 200\text{mA DC}$ $I_{FAN} = 100\text{mA DC}$	— 600	— 1200 800 400	— 1600	— mV
I_{FAN}	Average Sink Current at FAN Output	DRV > V_{IH} Note 4	—	—	300	mA
t_R	FAN Rise Time	$R_L = 120\Omega$ to Fan Supply; $C_L = 1\text{pF}$ to GND	—	80	—	μsec
t_F	FAN Fall Time	$R_L = 120\Omega$ to Fan Supply; $C_L = 1\text{pF}$ to GND	—	80	—	μsec
I_{LEAK}	Leakage Current	$R_L = 120\Omega$ to Fan Supply; $C_L = 1\text{pF}$ to GND	—	—	1	mA
DRV Input						
V_{IH}	Input High Voltage		2.0	—	—	V
V_{IL}	Input Low Voltage		—	—	0.8	V
I_L	Input Leakage		—	—	5	μA
$\overline{\text{ILMT}}$ Output						
V_{OL}	Output Low Voltage	$I_{OL} = 2.5\text{mA}$	—	—	0.3	V
t_{PROP}	Time Delay from $I_{FAN} > I_{LIMIT}$	V_{FAN} Connected to +12V	—	10	—	μsec
RPM Output						
V_{OH}	Output High Voltage	$I_{OH} \leq 100\mu\text{A}$	$V_{DD} - 0.3$	—	—	V
V_{OL}	Output Low Voltage	$R_L = 47\text{k}\Omega$ to V_{DD}	—	—	0.3	V
t_R	Rise Time	RPM Output Open Circuited	—	50	—	nsec
t_F	Fall Time		—	50	—	nsec

INTEGRATED FAN / MOTOR DRIVER

TC643

ELECTRICAL CHARACTERISTICS: (Cont.) Over Operating Temperature Range, $V_{CC} = 3.0V$ to $5.5V \pm 10\%$, $GND = GND_{FAN} = 0V$, unless otherwise specified.

Symbol	Parameter	Test Conditions	Min	Typ	Max	Units
t_{PW}	Pulse Width	Note 2	20	—	—	μsec
t_{SHDN}	Thermal Shutdown Temperature		—	150	—	$^{\circ}\text{C}$

- NOTES:**
1. See the *Applications* section for specific capacitor recommendations and guidelines.
 2. Refer to the *Applications* section for a detailed explanation.
 3. Automatic thermal shutdown is activated at approximately 150°C junction temperature.
 4. Maximum sink current in MSOP package is limited by power dissipation.

PIN DESCRIPTION

Pin No. (DIP/SOIC/MSOP)	Symbol	Description
1	V_{CC}	Power Supply Input. The IC's supply voltage can be independent of the fan's supply voltage. See <i>Electrical Characteristics</i> section.
2	DRV	Digital input. This pin directly drives the internal power driver. The power driver is ON when this pin is HIGH, OFF when it is LOW. DRIVE is typically driven by a host microcontroller or other digital logic with a PWM signal to accomplish fan/motor speed control.
3	\overline{ILMT}	Digital (Open Collector) Output. If the output current, I_{FAN} , exceeds I_{LIMIT} , this output will go low. I_{FAN} will be clamped at I_{LIMIT} . This serves as an indication of a stalled or shorted motor, or other fault.
4	RPM	Digital Output. Each time the motor current is interrupted by a pole-crossing, a logic-level pulse occurs at this pin. Timing the fundamental frequency of the resulting waveform yields motor RPM. See the <i>Applications</i> Section for more details and example circuits.
5	GND	Ground Terminal. This is the ground terminal for the IC itself. A separate ground terminal, GND_{FAN} , is provided for the motor.
6	C_{EXT}	External Capacitor. A $0.002\mu\text{F}$ capacitor between this pin and ground is used to differentiate the fan's commutation pulses. This function is part of the internal signal conditioning circuitry that generates the RPM output.
7	FAN	Analog input. The negative terminal of the fan motor is connected to this terminal. This terminal is essentially the collector of an internal NPN transistor. It will be pulled to within $V_{CE(SAT)}$ of GND_{FAN} when the PWM is on. FAN will stand off 15V.
8	GND_{FAN}	Analog Output. This is a separate ground terminal for the fan motor return current. It is essentially the emitter of an NPN transistor. See the <i>Electrical Characteristics</i> section for more details.

TC643

DETAILED DESCRIPTION

The TC643 is the first IC which integrates all the power and analog signal-processing circuitry for fan management into a single, easy-to-use device. Only three logic signals interface the TC643 to its host. A number of value-added features can now be implemented by the system designer with minimal impact on cost, space, and design time. The advantages of a fan management system built around the TC643 may include:

- (1) High Integration: higher reliability, lower cost, less design effort.
- (2) PWM Speed Control: better efficiency, reduced operating temperatures, wide speed-control range, less acoustic noise, longer fan life, speed control of low-voltage fans without stalling.
- (3) Fan Feedback and Diagnostics: system-level fault-tolerance, device-level fault protection, intelligent fault prediction, real-time fan performance characterization and trending.

Power Driver

The DRV input is a standard CMOS/TTL compatible logic input. The on-chip NPN power transistor is switched on when this input is high. The output features a high efficiency NPN power transistor (low $V_{CE(SAT)}$) for cooler operation. This permits driving even large motors with a DIP or SOIC packaged device. Normally, this input is driven with a digital PWM waveform to control fan speed. The FAN terminal will stand off 15V. The ground return for the power driver, GND_{FAN} , is separate from the IC's power supply return, GND, and the motor's power supply can be independent of the IC's. See the *Electrical Characteristics* section for more details.

ILMT

The motor current through the TC643, I_{FAN} , is internally limited to a preset value, I_{LIMIT} . If I_{FAN} exceeds I_{LIMIT} , this open collector output will go low. I_{FAN} will be clamped at I_{LIMIT} . This serves as an indication of a stalled or shorted motor, or other fault. Typically this output is connected to an interrupt input of the host microcontroller. $ILMT$ may go active momentarily during motor start-up. The digital control circuitry should ignore this indication until the motor has time to start. See the *Electrical Characteristics* and *Applications* sections for more details.

RPM

During normal fan operation, commutation occurs as each pole of the fan is energized. This causes brief interrup-

tions in the fan current (See Figure 1). The TC643 detects these perturbations in fan current by monitoring the current through the on-chip drive transistor. Internal signal conditioning circuitry derives a pulse-train representing the fan-pole crossings. RPM outputs a high-going pulse each time a fan pole-crossing is detected. See the *Electrical Characteristics* section for detailed timing information. The host microcontroller or digital control logic can derive the motor rpm by timing the period of the waveform present on RPM. If commutation occurs while the power driver is off, a pulse will not be detected. A careful study of the motor rpm range and PWM frequency of interest is called for when designing with the TC643. See the *Applications* section for more details.

C_{EXT}

A 0.002 μ F (typical) capacitor between this pin and ground serves as part of the signal conditioning circuitry which derives the RPM output. It is effectively part of a differentiator designed to sense the commutation of the fan. These commutation pulses are translated to logic-level and squared-up to produce the RPM signal. The characteristics of this capacitor are not particularly critical. A 0.002 μ F, 5.0V ceramic type is suggested.

APPLICATIONS INFORMATION

Designing with the TC643 involves a number of issues. This section provides simple methodologies and guidelines to deal with each one. With reasonable care and thoughtfulness, it is a straightforward procedure to design a complete fan management system that is efficient, reliable, and "feature-rich".

Applying the TC643 generally involves . . .

- (1) Matching a fan (or motor) with the desired performance to the TC643.
- (2) Selecting a PWM frequency and duty-cycle range and considering its impact on RPM determination.
- (3) Architecting the microcontroller hardware and software (or other control scheme) to drive the TC643 and take full advantage of its fan management capabilities.

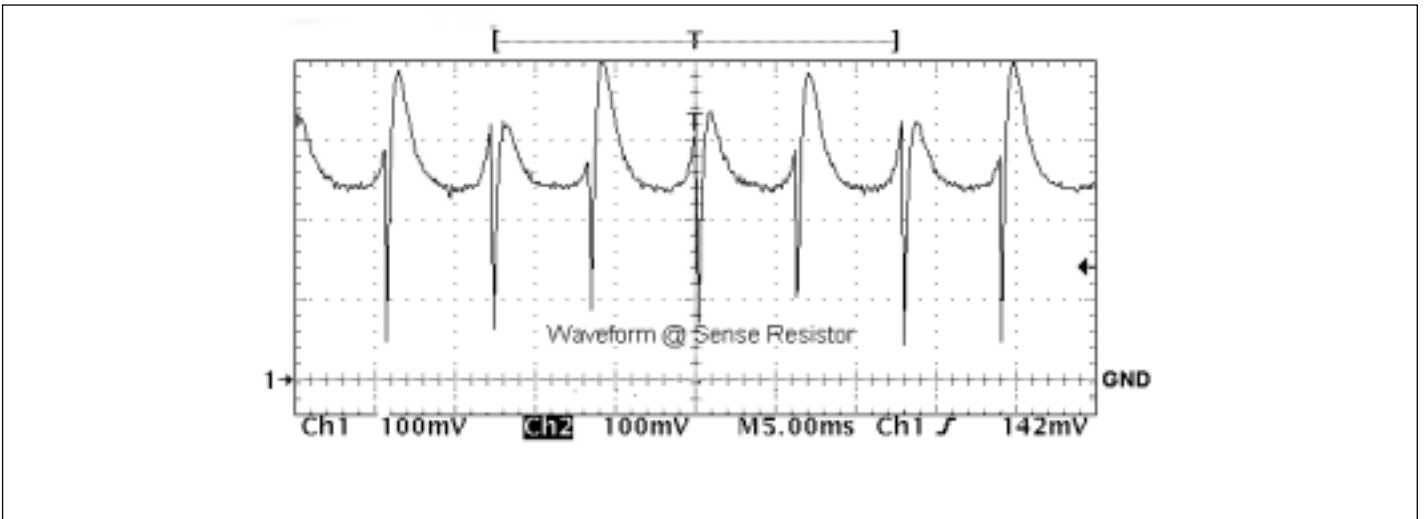


Figure 1.

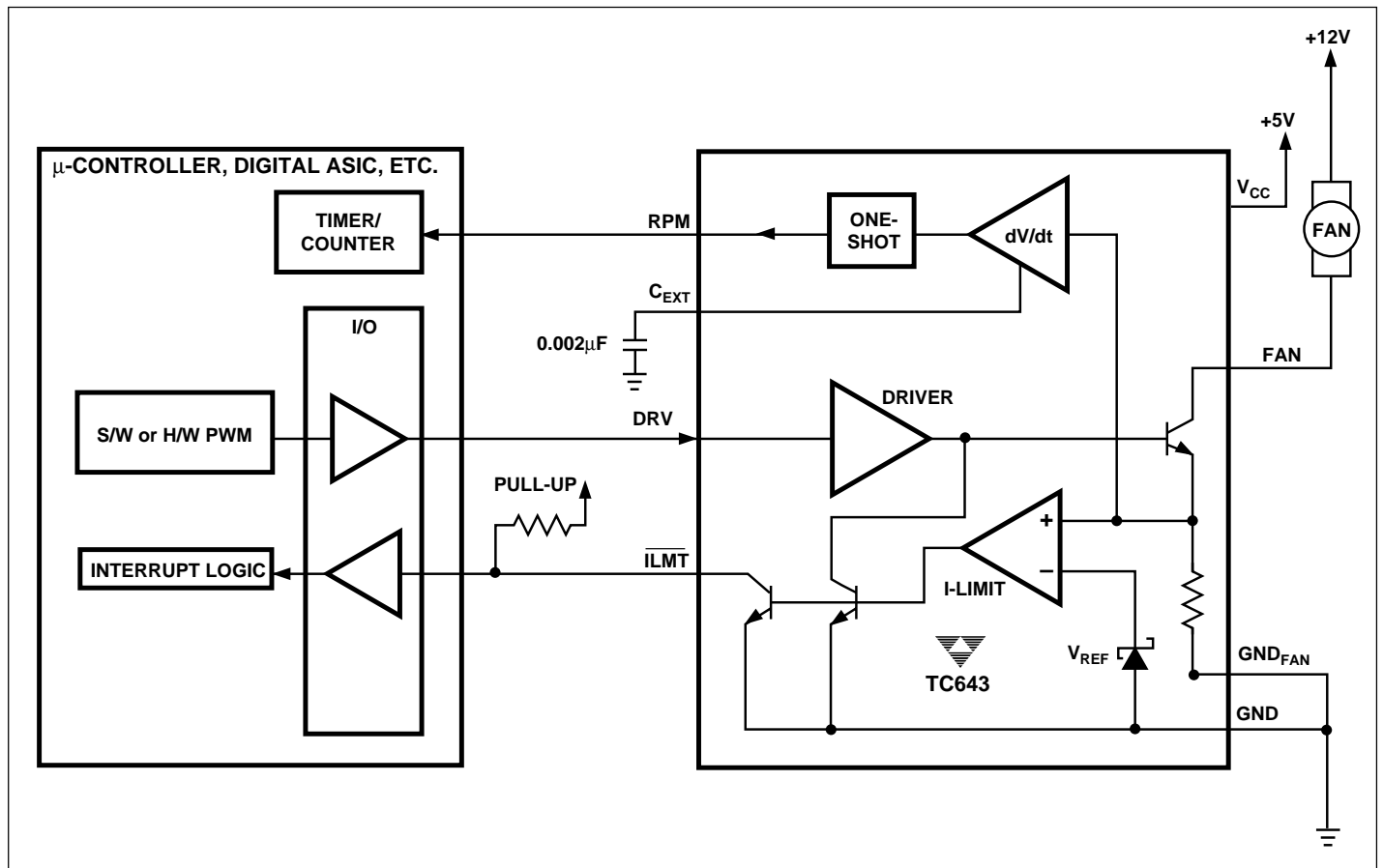
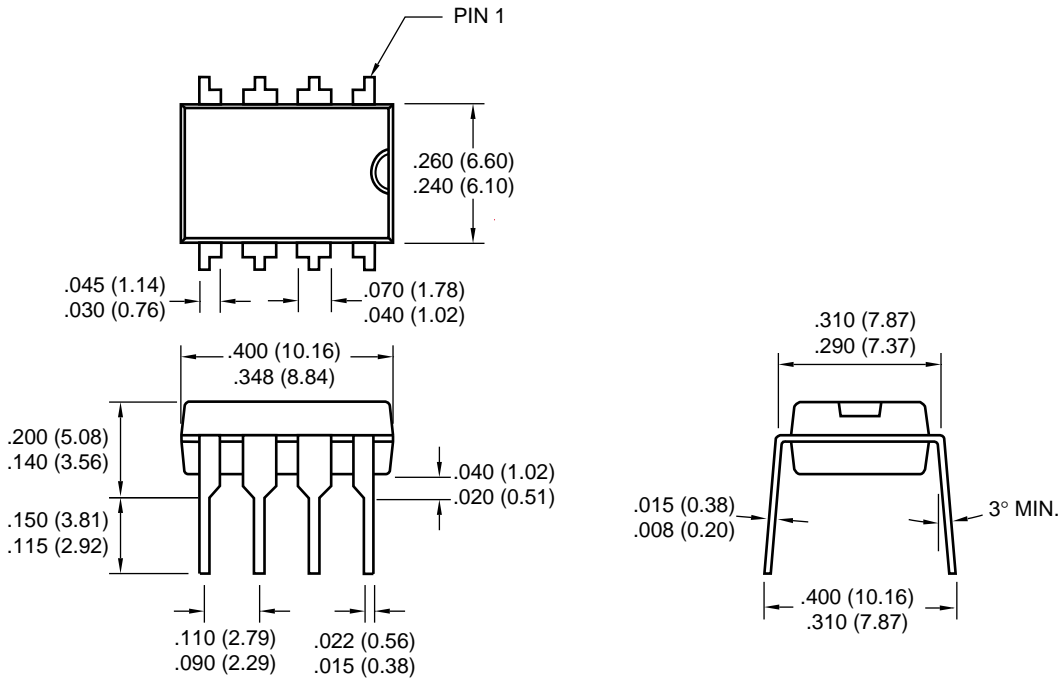


Figure 2. Typical Application Circuit

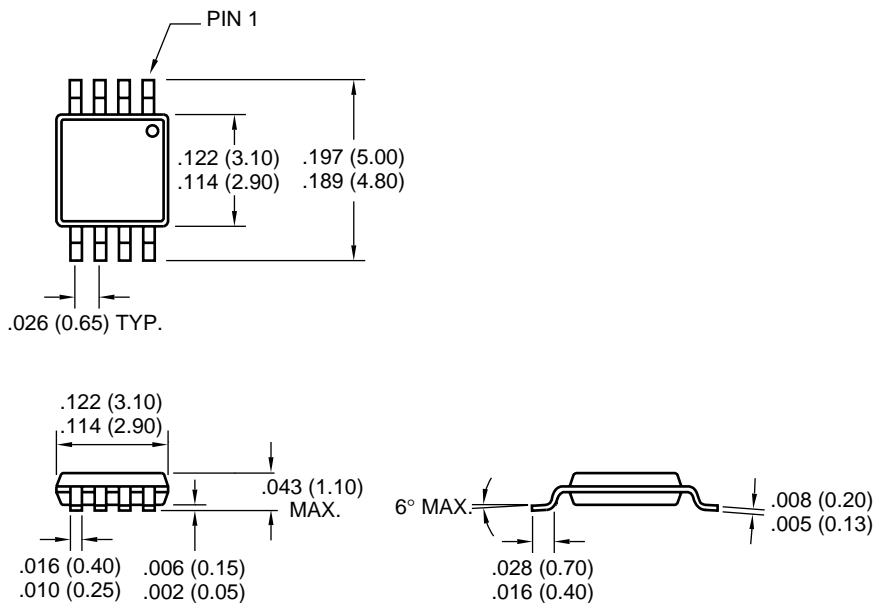
TC643

PACKAGE DIMENSIONS

8-Pin Plastic DIP

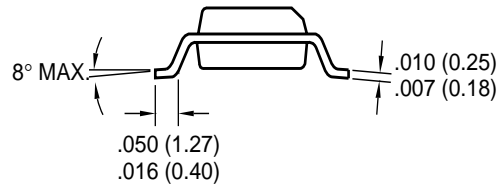
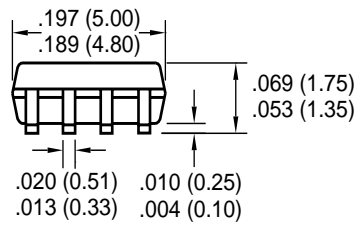
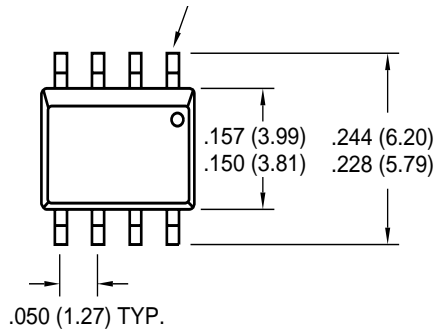


8-Pin MSOP



Dimensions: inches (mm)

8-Pin SOIC



Dimensions: inches (mm)



WORLDWIDE SALES AND SERVICE

AMERICAS

Corporate Office

2355 West Chandler Blvd.
Chandler, AZ 85224-6199
Tel: 480-792-7200 Fax: 480-792-7277
Technical Support: 480-792-7627
Web Address: <http://www.microchip.com>

Rocky Mountain

2355 West Chandler Blvd.
Chandler, AZ 85224-6199
Tel: 480-792-7966 Fax: 480-792-7456

Atlanta

500 Sugar Mill Road, Suite 200B
Atlanta, GA 30350
Tel: 770-640-0034 Fax: 770-640-0307

Austin

Analog Product Sales
8303 MoPac Expressway North
Suite A-201
Austin, TX 78759
Tel: 512-345-2030 Fax: 512-345-6085

Boston

2 Lan Drive, Suite 120
Westford, MA 01886
Tel: 978-692-3848 Fax: 978-692-3821

Boston

Analog Product Sales
Unit A-8-1 Millbrook Tarry Condominium
97 Lowell Road
Concord, MA 01742
Tel: 978-371-6400 Fax: 978-371-0050

Chicago

333 Pierce Road, Suite 180
Itasca, IL 60143
Tel: 630-285-0071 Fax: 630-285-0075

Dallas

4570 Westgrove Drive, Suite 160
Addison, TX 75001
Tel: 972-818-7423 Fax: 972-818-2924

Dayton

Two Prestige Place, Suite 130
Miamisburg, OH 45342
Tel: 937-291-1654 Fax: 937-291-9175

Detroit

Tri-Atria Office Building
32255 Northwestern Highway, Suite 190
Farmington Hills, MI 48334
Tel: 248-538-2250 Fax: 248-538-2260

Los Angeles

18201 Von Karman, Suite 1090
Irvine, CA 92612
Tel: 949-263-1888 Fax: 949-263-1338

Mountain View

Analog Product Sales
1300 Terra Bella Avenue
Mountain View, CA 94043-1836
Tel: 650-968-9241 Fax: 650-967-1590

New York

150 Motor Parkway, Suite 202
Hauppauge, NY 11788
Tel: 631-273-5305 Fax: 631-273-5335

San Jose

Microchip Technology Inc.
2107 North First Street, Suite 590
San Jose, CA 95131
Tel: 408-436-7950 Fax: 408-436-7955

Toronto

6285 Northam Drive, Suite 108
Mississauga, Ontario L4V 1X5, Canada
Tel: 905-673-0699 Fax: 905-673-6509

ASIA/PACIFIC

China - Beijing

Microchip Technology Beijing Office
Unit 915
New China Hong Kong Manhattan Bldg.
No. 6 Chaoyangmen Beidajie
Beijing, 100027, No. China
Tel: 86-10-85282100 Fax: 86-10-85282104

China - Shanghai

Microchip Technology Shanghai Office
Room 701, Bldg. B
Far East International Plaza
No. 317 Xian Xia Road
Shanghai, 200051
Tel: 86-21-6275-5700 Fax: 86-21-6275-5060

Hong Kong

Microchip Asia Pacific
RM 2101, Tower 2, Metroplaza
223 Hing Fong Road
Kwai Fong, N.T., Hong Kong
Tel: 852-2401-1200 Fax: 852-2401-3431

India

Microchip Technology Inc.
India Liaison Office
Divyasree Chambers
1 Floor, Wing A (A3/A4)
No. 11, O'Shaughnessy Road
Bangalore, 560 025, India
Tel: 91-80-2290061 Fax: 91-80-2290062

Japan

Microchip Technology Intl. Inc.
Benex S-1 6F
3-18-20, Shinyokohama
Kohoku-Ku, Yokohama-shi
Kanagawa, 222-0033, Japan
Tel: 81-45-471-6166 Fax: 81-45-471-6122

Korea

Microchip Technology Korea
168-1, Youngbo Bldg. 3 Floor
Samsung-Dong, Kangnam-Ku
Seoul, Korea
Tel: 82-2-554-7200 Fax: 82-2-558-5934

ASIA/PACIFIC (continued)

Singapore

Microchip Technology Singapore Pte Ltd.
200 Middle Road
#07-02 Prime Centre
Singapore, 188980
Tel: 65-334-8870 Fax: 65-334-8850

Taiwan

Microchip Technology Taiwan
11F-3, No. 207
Tung Hua North Road
Taipei, 105, Taiwan
Tel: 886-2-2717-7175 Fax: 886-2-2545-0139

EUROPE

Australia

Microchip Technology Australia Pty Ltd
Suite 22, 41 Rawson Street
Epping 2121, NSW
Australia
Tel: 61-2-9868-6733 Fax: 61-2-9868-6755

Denmark

Microchip Technology Denmark ApS
Regus Business Centre
Lautrup hof 1-3
Ballerup DK-2750 Denmark
Tel: 45 4420 9895 Fax: 45 4420 9910

France

Arizona Microchip Technology SARL
Parc d'Activite du Moulin de Massy
43 Rue du Saule Trapu
Batiment A - 1er Etage
91300 Massy, France
Tel: 33-1-69-53-63-20 Fax: 33-1-69-30-90-79

Germany

Arizona Microchip Technology GmbH
Gustav-Heinemann Ring 125
D-81739 Munich, Germany
Tel: 49-89-627-144 0 Fax: 49-89-627-144-44

Germany

Analog Product Sales
Lochhamer Strasse 13
D-82152 Martinsried, Germany
Tel: 49-89-895650-0 Fax: 49-89-895650-22

Italy

Arizona Microchip Technology SRL
Centro Direzionale Colleoni
Palazzo Taurus 1 V. Le Colleoni 1
20041 Agrate Brianza
Milan, Italy
Tel: 39-039-65791-1 Fax: 39-039-6899883

United Kingdom

Arizona Microchip Technology Ltd.
505 Eskdale Road
Winnersh Triangle
Wokingham
Berkshire, England RG41 5TU
Tel: 44 118 921 5869 Fax: 44-118 921-5820

All rights reserved. © 2001 Microchip Technology Incorporated. Printed in the USA. 1/01  Printed on recycled paper.

01/09/01

Information contained in this publication regarding device applications and the like is intended through suggestion only and may be superseded by updates. It is your responsibility to ensure that your application meets with your specifications. No representation or warranty is given and no liability is assumed by Microchip Technology Incorporated with respect to the accuracy or use of such information, or infringement of patents or other intellectual property rights arising from such use or otherwise. Use of Microchip's products as critical components in life support systems is not authorized except with express written approval by Microchip. No licenses are conveyed, implicitly or otherwise, except as maybe explicitly expressed herein, under any intellectual property rights. The Microchip logo and name are registered trademarks of Microchip Technology Inc. in the U.S.A. and other countries. All rights reserved. All other trademarks mentioned herein are the property of their respective companies.