

TOSHIBA CMOS Digital Integrated Circuit Silicon Monolithic

# TC74VHC4066AF, TC74VHC4066AFK

## Quad Bilateral Switch

The TC74VHC4066A is high-speed, low-voltage drive QUAD BILATERAL SWITCH fabricated with silicon gate C<sup>2</sup>MOS technology.

In 3 V and 5 V systems these can achieve high-speed operation with the low power dissipation that is a feature of CMOS.

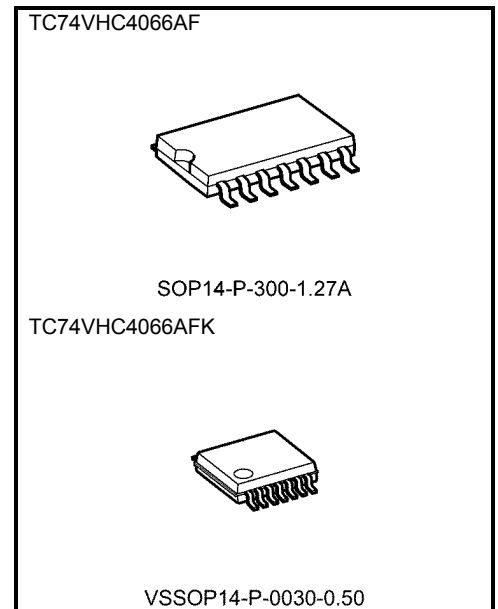
It consists of four independent high speed switches capable of controlling either digital or analog signals while maintaining the CMOS low power dissipation.

The switches for each channel are turned ON by the control pin digital signals.

Control pin is equipped with a newly developed input protection circuit that avoids the need for a diode on the plus side (forward side from the input to the VCC). As a result, for example, 5.5 V signals can be permitted on the inputs even when the power supply voltage to the circuits is off. As a result of this input power protection, the TC74VHC4066AFT can be used in a variety of applications, including in the system which has two power supplies, and in battery backup circuits.

## Features

- Low ON resistance:  $R_{on} = 45 \Omega$  (typ.) ( $V_{CC} = 3.0 \text{ V}$ )  
 $R_{on} = 24 \Omega$  (typ.) ( $V_{CC} = 4.5 \text{ V}$ )
- Low power dissipation:  $I_{CC} = 2.0 \mu\text{A}$  (max) ( $T_a = 25^\circ\text{C}$ )
- Input level:  $V_{IL} = 0.8 \text{ V}$  (max) ( $V_{CC} = 3 \text{ V}$ )  
 $V_{IH} = 2.0 \text{ V}$  (min) ( $V_{CC} = 3 \text{ V}$ )
- Power down protection is provided on all control inputs

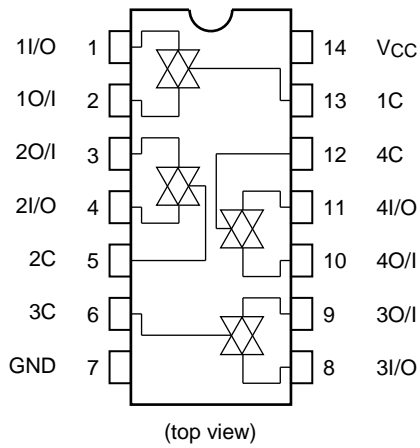


Weight

SOP14-P-300-1.27A : 0.18 g (typ.)  
 VSSOP14-P-0030-0.50 : 0.02g (typ.)

Start of commercial production  
2007-01

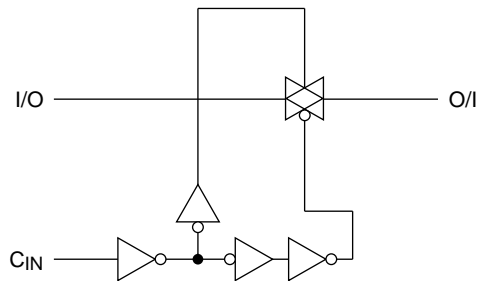
### Pin Assignment (top view)



### Truth Table

| Control | Switch Function |
|---------|-----------------|
| H       | On              |
| L       | Off             |

### System Diagram (1/4 Package)



### Absolute Maximum Ratings (Note)

| Characteristics                      | Symbol            | Rating                         | Unit |
|--------------------------------------|-------------------|--------------------------------|------|
| Power supply voltage                 | V <sub>CC</sub>   | -0.5 to 7.0                    | V    |
| Control input voltage                | V <sub>IN</sub>   | -0.5 to 7.0                    | V    |
| Switch I/O voltage                   | V <sub>I/O</sub>  | - 0.5 to V <sub>CC</sub> + 0.5 | V    |
| Input diode current                  | I <sub>IK</sub>   | -20                            | mA   |
| I/O diode current                    | I <sub>I/OK</sub> | ±25                            | mA   |
| Switch through current               | I <sub>T</sub>    | ±25                            | mA   |
| DC V <sub>CC</sub> or ground current | I <sub>CC</sub>   | ±50                            | mA   |
| Power dissipation                    | P <sub>D</sub>    | 180                            | mW   |
| Storage temperature                  | T <sub>stg</sub>  | -65 to 150                     | °C   |

Note: Exceeding any of the absolute maximum ratings, even briefly, may lead to deterioration in IC performance or even destruction.

Using continuously under heavy loads (e.g. the application of high temperature/current/voltage and the significant change in temperature, etc.) may cause this product to decrease in the reliability significantly even if the operating conditions (i.e. operating temperature/current/voltage, etc.) are within the absolute maximum ratings and the operating ranges.

Please design the appropriate reliability upon reviewing the Toshiba Semiconductor Reliability Handbook (“Handling Precautions”/“Derating Concept and Methods”) and individual reliability data (i.e. reliability test report and estimated failure rate, etc).

### Operating Ranges (Note)

| Characteristics          | Symbol           | Rating  | Unit |
|--------------------------|------------------|---|------|
| Power supply voltage     | V <sub>CC</sub>  | 2 to 5.5  | V    |
| Input voltage            | V <sub>IN</sub>  | 0 to 5.5  | V    |
| Switch I/O voltage       | V <sub>I/O</sub> | 0 to V <sub>CC</sub>  | V    |
| Operating temperature    | T <sub>opr</sub> | -40 to 85   | °C   |
| Input rise and fall time | dt/dv            | 0 to 200 (V <sub>CC</sub> = 2.5 ± 0.2 V)<br>0 to 100 (V <sub>CC</sub> = 3.3 ± 0.3 V)<br>0 to 20 (V <sub>CC</sub> = 5 ± 0.5 V) | ns/V |

Note: The operating ranges must be maintained to ensure the normal operation of the device. Unused control inputs must be tied to either V<sub>CC</sub> or GND.

### Electrical Characteristics

#### DC Electrical Characteristics

| Characteristics                                       |                  | Symbol  | Test Condition | Ta = 25°C           |      |      | Ta = -40 to 85°C |      | Unit |      |
|---|------------------|---|----------------|---------------------|------|------|------------------|------|------|------|
|   |                  |   |                | V <sub>CC</sub> (V) | Min  | Typ. | Max              | Min  |      | Max  |
| Input voltage   | High level       | V <sub>IH</sub>   | —              | 2.0                 | 1.5  | —    | —                | 1.5  | V    |      |
|   |                  |   |                | 3.0                 | 2.0  | —    | —                | 2.0  |      | —    |
|   |                  |   |                | 4.5                 | 3.15 | —    | —                | 3.15 |      | —    |
|   | Low level        | V <sub>IL</sub>   | —              | 2.0                 | —    | —    | 0.5              | —    |      | 0.5  |
|   |                  |   |                | 3.0                 | —    | —    | 0.8              | —    |      | 0.8  |
|   |                  |   |                | 4.5                 | —    | —    | 1.35             | —    |      | 1.35 |
| ON resistance   | R <sub>ON</sub>  | V <sub>IN</sub> = V <sub>IH</sub><br>V <sub>I/O</sub> = V <sub>CC</sub> to GND<br>I <sub>I/O</sub> = 2 mA                 | 2.3            | —                   | 200  | —    | —                | Ω    |      |      |
|   |                  |   | 3.0            | —                   | 45   | 86   | —                |      | 108  |      |
|   |                  |   | 4.5            | —                   | 24   | 37   | —                |      | 46   |      |
|   |                  | V <sub>IN</sub> = V <sub>IH</sub><br>V <sub>I/O</sub> = V <sub>CC</sub> or GND<br>I <sub>I/O</sub> = 2 mA                 | 2.3            | —                   | 28   | 73   | —                |      | 84   |      |
|   |                  |   | 3.0            | —                   | 22   | 38   | —                |      | 44   |      |
|   |                  |   | 4.5            | —                   | 17   | 27   | —                |      | 31   |      |
| Difference of ON resistance between switches          | ΔR <sub>ON</sub> | V <sub>IN</sub> = V <sub>IH</sub><br>V <sub>I/O</sub> = V <sub>CC</sub> to GND<br>I <sub>I/O</sub> = 2 mA                 | 2.3            | —                   | 10   | 25   | —                | 35   | Ω    |      |
|   |                  |   | 3.0            | —                   | 5    | 15   | —                | 20   |      |      |
|   |                  |   | 4.5            | —                   | 5    | 13   | —                | 18   |      |      |
| Input/Output leakage current (switch OFF)             | I <sub>OFF</sub> | V <sub>OS</sub> = V <sub>CC</sub> or GND<br>V <sub>IS</sub> = GND to V <sub>CC</sub><br>V <sub>IN</sub> = V <sub>IL</sub> | 5.5            | —                   | —    | ±0.1 | —                | ±1.0 | μA   |      |
| Input/Output leakage current (switch ON, output open) | I <sub>I/O</sub> | V <sub>OS</sub> = V <sub>CC</sub> or GND<br>V <sub>IN</sub> = V <sub>IH</sub>   | 5.5            | —                   | —    | ±0.1 | —                | ±1.0 | μA   |      |
| Control input current                                 | I <sub>IN</sub>  | V <sub>IN</sub> = V <sub>CC</sub> or GND  | 5.5            | —                   | —    | ±0.1 | —                | ±1.0 | μA   |      |
| Quiescent supply current                              | I <sub>CC</sub>  | V <sub>IN</sub> = V <sub>CC</sub> or GND  | 5.5            | —                   | —    | 2.0  | —                | 20.0 | μA   |      |

### AC Electrical Characteristics (Input: $t_r = t_f = 3 \text{ ns}$ )

| Characteristics                           | Symbol                 | Test Condition                  | Ta = 25°C |         |      | Ta = -40 to 85°C |     | Unit |     |    |
|---|------------------------|---------------------------------|-----------|---------|------|------------------|-----|------|-----|----|
|   |                        |                                 | VCC (V)   | Min     | Typ. | Max              | Min |      | Max |    |
| Phase difference between input and output | $\phi/O$               | CL = 15 pF<br>RL = 1 k $\Omega$ | Figure 1  | 2.5±0.2 | —    | 1.2              | 10  | —    | 16  | ns |
|   |                        |                                 |           | 3.3±0.3 | —    | 0.8              | 6   | —    | 10  |    |
|   |                        |                                 |           | 5.0±0.5 | —    | 0.3              | 4   | —    | 7   |    |
|   |                        | CL = 50 pF<br>RL = 1 k $\Omega$ | Figure 1  | 2.5±0.2 | —    | 2.6              | 12  | —    | 18  |    |
|   |                        |                                 |           | 3.3±0.3 | —    | 1.5              | 9   | —    | 12  |    |
|   |                        |                                 |           | 5.0±0.5 | —    | 0.6              | 6   | —    | 8   |    |
| Output enable time                        | $t_{pZL}$<br>$t_{pZH}$ | CL = 15 pF<br>RL = 1 k $\Omega$ | Figure 1  | 2.5±0.2 | —    | 3.3              | 15  | —    | 20  | ns |
|   |                        |                                 |           | 3.3±0.3 | —    | 2.3              | 11  | —    | 15  |    |
|   |                        |                                 |           | 5.0±0.5 | —    | 1.6              | 7   | —    | 10  |    |
|   |                        | CL = 50 pF<br>RL = 1 k $\Omega$ | Figure 1  | 2.5±0.2 | —    | 4.2              | 25  | —    | 32  |    |
|   |                        |                                 |           | 3.3±0.3 | —    | 3.0              | 18  | —    | 22  |    |
|   |                        |                                 |           | 5.0±0.5 | —    | 2.1              | 12  | —    | 16  |    |
| Output disable time                       | $t_{pLZ}$<br>$t_{pHZ}$ | CL = 15 pF<br>RL = 1 k $\Omega$ | Figure 1  | 2.5±0.2 | —    | 6                | 15  | —    | 23  | ns |
|   |                        |                                 |           | 3.3±0.3 | —    | 4.5              | 11  | —    | 15  |    |
|   |                        |                                 |           | 5.0±0.5 | —    | 3.2              | 7   | —    | 10  |    |
|   |                        | CL = 50 pF<br>RL = 1 k $\Omega$ | Figure 1  | 2.5±0.2 | —    | 9.6              | 25  | —    | 32  |    |
|   |                        |                                 |           | 3.3±0.3 | —    | 7.2              | 18  | —    | 22  |    |
|   |                        |                                 |           | 5.0±0.5 | —    | 5.1              | 12  | —    | 16  |    |
| Control input capacitance                 | CIN                    | All types                       | —         | —       | 3    | —                | —   | —    | pF  |    |
| SWITCH terminal capacitance               | COS                    | Figure 2                        | —         | —       | 5.5  | —                | —   | —    | pF  |    |
| Feed through capacitance                  | CIOS                   | Figure 2                        | —         | —       | 0.5  | —                | —   | —    | pF  |    |
| Power dissipation capacitance             | CPD                    | Figure 2                        | (Note)    | —       | —    | 4.5              | —   | —    | —   | pF |

Note: CPD is defined as the value of the internal equivalent capacitance of IC which is calculated from the operating current consumption without load.

Average operating current can be obtained by the equation:

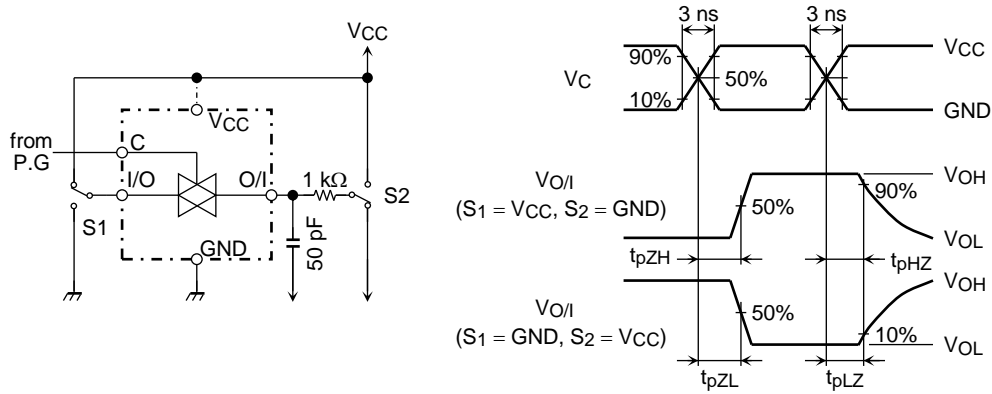
$$I_{CC}(\text{opr}) = CPD \cdot V_{CC} \cdot f_{IN} + I_{CC}$$

### Analog Switch Characteristics (Ta = 25°C) (Note)

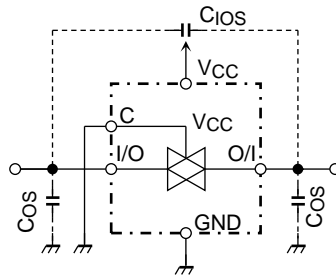
| Characteristics                               | Test Condition   |                | VCC (V) | Typ. | Unit |
|---|--|----------------|---------|------|------|
|   |  |                |         |      |      |
| Sine Wave Distortion (T.H.D)                  | RL = 10 kΩ, CL = 50 pF, fIN = 1 kHz  | VIN = 2.0 Vp-p | 3.0     | 0.1  | %    |
|   |  | VIN = 4.0 Vp-p | 4.5     | 0.03 |      |
| Frequency response<br>(switch ON)             | VIN is centered at (VCC/2).<br>Adjust input for 0dBm.<br>Increase fIN frequency until dB meter reads -3dB.<br>RL = 50 Ω, CL = 10 pF, sine wave<br>Figure 3 |                | 3.0     | 250  | MHz  |
|   |  |                | 4.5     | 290  |      |
| Feed through attenuation<br>(switch OFF)      | VIN is centered at (VCC/2).<br>Adjust input for 0dBm.<br>RL = 600 Ω, CL = 50 pF, fIN = 1 MHz, sine wave<br>Figure 4  |                | 3.0     | -45  | dB   |
|   |  |                | 4.5     | -45  |      |
|   | RL = 50 Ω, CL = 10 pF, fIN = 1 MHz, sine wave  |                | 3.0     | -65  |      |
|   |  |                | 4.5     | -65  |      |
| Crosstalk<br>(control input to signal output) | RL = 600 Ω, CL = 50 pF, fIN = 1 MHz, square wave<br>(tr = tf = 6 ns)<br>Figure 5   |                | 3.0     | 60   | mV   |
|   |  |                | 4.5     | 100  |      |
| Crosstalk<br>(between any switches)           | VIN is centered at (VCC/2). Adjust input for 0dBm.<br>RL = 600 Ω, CL = 50 pF, fIN = 1 MHz, sine wave<br>Figure 6   |                | 3.0     | -45  | dB   |
|   |  |                | 4.5     | -45  |      |

Note: These characteristics are determined by design of devices.

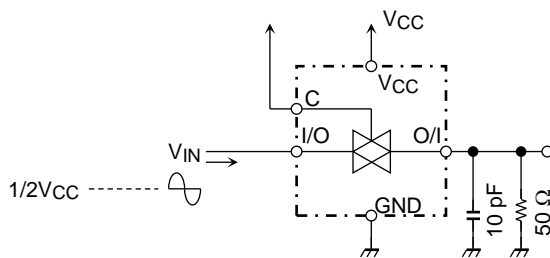
### AC Test Circuit



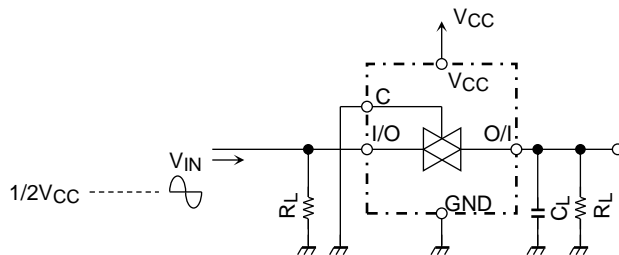
**Figure 1**  $t_{pLZ}$ ,  $t_{pHZ}$ ,  $t_{pZL}$ ,  $t_{pZH}$



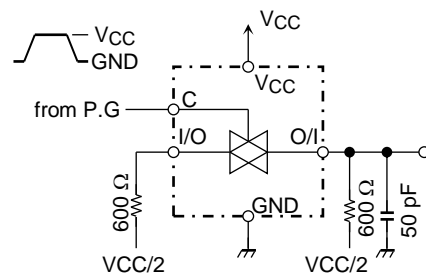
**Figure 2**  $C_{ios}$ ,  $C_{os}$



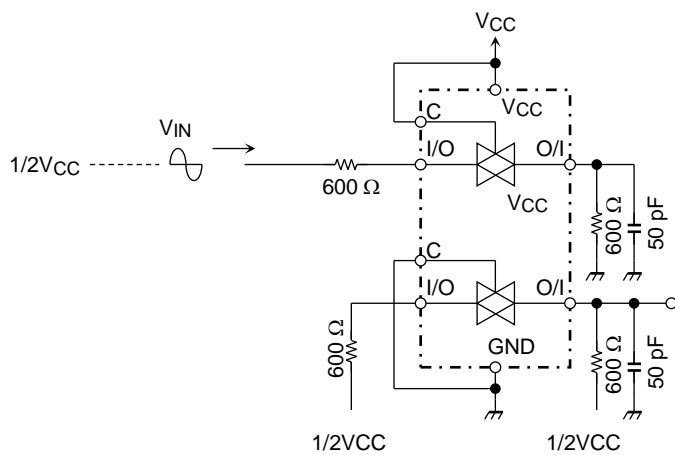
**Figure 3** Frequency Response (switch on)



**Figure 4** Feedthrough



**Figure 5 Cross Talk (control input to output signal)**



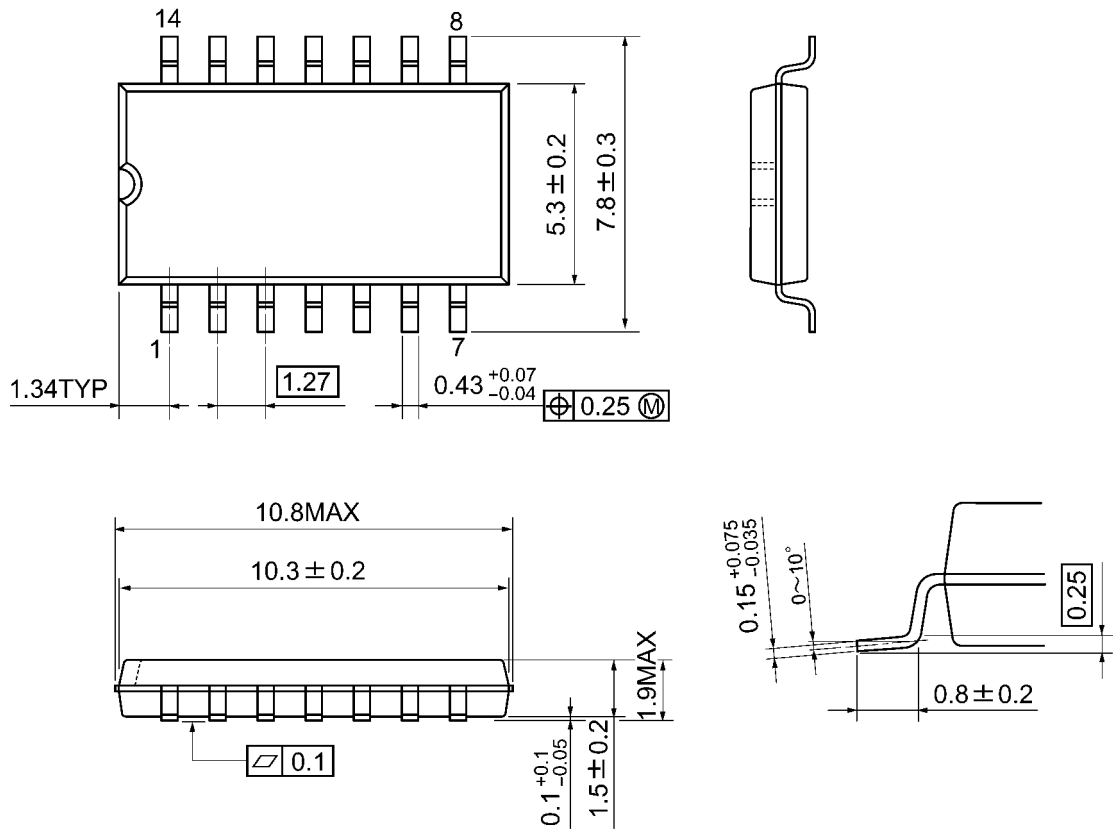
**Figure 6 Cross Talk (between any two switches)**



### Package Dimensions

SOP14-P-300-1.27A

Unit: mm

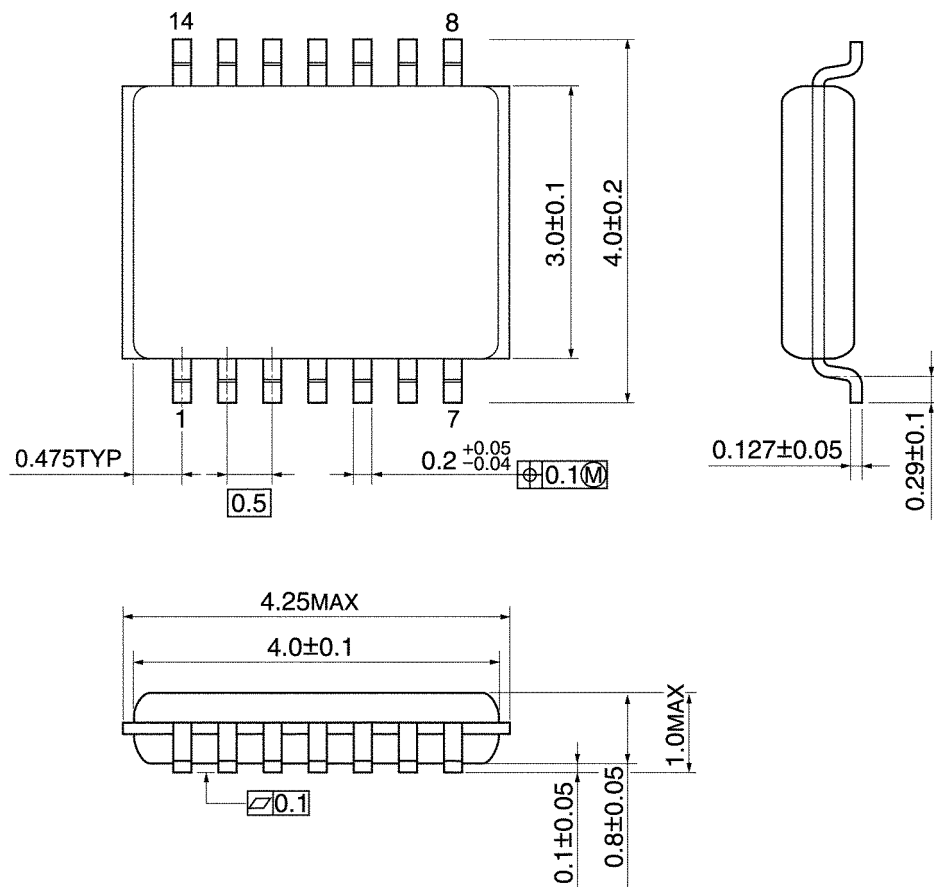


Weight: 0.18 g (typ.)

### Package Dimensions

VSSOP14-P-0030-0.50

Unit: mm



Weight: 0.02 g (typ.)

## RESTRICTIONS ON PRODUCT USE

Toshiba Corporation and its subsidiaries and affiliates are collectively referred to as "TOSHIBA". Hardware, software and systems described in this document are collectively referred to as "Product".

- TOSHIBA reserves the right to make changes to the information in this document and related Product without notice.
- This document and any information herein may not be reproduced without prior written permission from TOSHIBA. Even with TOSHIBA's written permission, reproduction is permissible only if reproduction is without alteration/omission.
- Though TOSHIBA works continually to improve Product's quality and reliability, Product can malfunction or fail. Customers are responsible for complying with safety standards and for providing adequate designs and safeguards for their hardware, software and systems which minimize risk and avoid situations in which a malfunction or failure of Product could cause loss of human life, bodily injury or damage to property, including data loss or corruption. Before customers use the Product, create designs including the Product, or incorporate the Product into their own applications, customers must also refer to and comply with (a) the latest versions of all relevant TOSHIBA information, including without limitation, this document, the specifications, the data sheets and application notes for Product and the precautions and conditions set forth in the "TOSHIBA Semiconductor Reliability Handbook" and (b) the instructions for the application with which the Product will be used with or for. Customers are solely responsible for all aspects of their own product design or applications, including but not limited to (a) determining the appropriateness of the use of this Product in such design or applications; (b) evaluating and determining the applicability of any information contained in this document, or in charts, diagrams, programs, algorithms, sample application circuits, or any other referenced documents; and (c) validating all operating parameters for such designs and applications. **TOSHIBA ASSUMES NO LIABILITY FOR CUSTOMERS' PRODUCT DESIGN OR APPLICATIONS.**
- **PRODUCT IS NEITHER INTENDED NOR WARRANTED FOR USE IN EQUIPMENTS OR SYSTEMS THAT REQUIRE EXTRAORDINARILY HIGH LEVELS OF QUALITY AND/OR RELIABILITY, AND/OR A MALFUNCTION OR FAILURE OF WHICH MAY CAUSE LOSS OF HUMAN LIFE, BODILY INJURY, SERIOUS PROPERTY DAMAGE AND/OR SERIOUS PUBLIC IMPACT ("UNINTENDED USE").** Except for specific applications as expressly stated in this document, Unintended Use includes, without limitation, equipment used in nuclear facilities, equipment used in the aerospace industry, lifesaving and/or life supporting medical equipment, equipment used for automobiles, trains, ships and other transportation, traffic signaling equipment, equipment used to control combustions or explosions, safety devices, elevators and escalators, and devices related to power plant. **IF YOU USE PRODUCT FOR UNINTENDED USE, TOSHIBA ASSUMES NO LIABILITY FOR PRODUCT.** For details, please contact your TOSHIBA sales representative or contact us via our website.
- Do not disassemble, analyze, reverse-engineer, alter, modify, translate or copy Product, whether in whole or in part.
- Product shall not be used for or incorporated into any products or systems whose manufacture, use, or sale is prohibited under any applicable laws or regulations.
- The information contained herein is presented only as guidance for Product use. No responsibility is assumed by TOSHIBA for any infringement of patents or any other intellectual property rights of third parties that may result from the use of Product. No license to any intellectual property right is granted by this document, whether express or implied, by estoppel or otherwise.
- **ABSENT A WRITTEN SIGNED AGREEMENT, EXCEPT AS PROVIDED IN THE RELEVANT TERMS AND CONDITIONS OF SALE FOR PRODUCT, AND TO THE MAXIMUM EXTENT ALLOWABLE BY LAW, TOSHIBA (1) ASSUMES NO LIABILITY WHATSOEVER, INCLUDING WITHOUT LIMITATION, INDIRECT, CONSEQUENTIAL, SPECIAL, OR INCIDENTAL DAMAGES OR LOSS, INCLUDING WITHOUT LIMITATION, LOSS OF PROFITS, LOSS OF OPPORTUNITIES, BUSINESS INTERRUPTION AND LOSS OF DATA, AND (2) DISCLAIMS ANY AND ALL EXPRESS OR IMPLIED WARRANTIES AND CONDITIONS RELATED TO SALE, USE OF PRODUCT, OR INFORMATION, INCLUDING WARRANTIES OR CONDITIONS OF MERCHANTABILITY, FITNESS FOR A PARTICULAR PURPOSE, ACCURACY OF INFORMATION, OR NONINFRINGEMENT.**
- Do not use or otherwise make available Product or related software or technology for any military purposes, including without limitation, for the design, development, use, stockpiling or manufacturing of nuclear, chemical, or biological weapons or missile technology products (mass destruction weapons). Product and related software and technology may be controlled under the applicable export laws and regulations including, without limitation, the Japanese Foreign Exchange and Foreign Trade Law and the U.S. Export Administration Regulations. Export and re-export of Product or related software or technology are strictly prohibited except in compliance with all applicable export laws and regulations.
- Please contact your TOSHIBA sales representative for details as to environmental matters such as the RoHS compatibility of Product. Please use Product in compliance with all applicable laws and regulations that regulate the inclusion or use of controlled substances, including without limitation, the EU RoHS Directive. **TOSHIBA ASSUMES NO LIABILITY FOR DAMAGES OR LOSSES OCCURRING AS A RESULT OF NONCOMPLIANCE WITH APPLICABLE LAWS AND REGULATIONS.**