

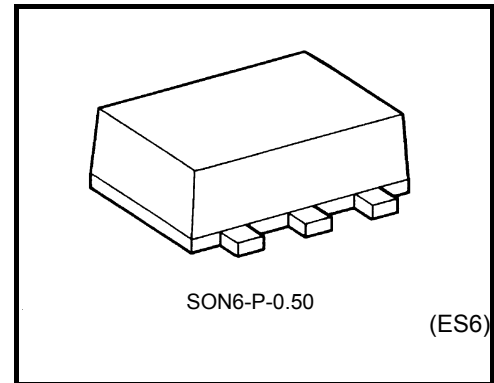
TOSHIBA CMOS Digital Integrated Circuit Silicon Monolithic

TC7PA19AFE

Chip Select Decoder

Features

- Operating voltage range: $V_{CC} = 1.4\sim 3.6\text{ V}$
- High-speed operation: $t_{pd} = 3.3\text{ ns (max) at } V_{CC} = 3.0\sim 3.6\text{ V}$
 $t_{pd} = 3.9\text{ ns (max) at } V_{CC} = 2.3\sim 2.7\text{ V}$
 $t_{pd} = 8.0\text{ ns (max) at } V_{CC} = 1.65\sim 1.95\text{ V}$
 $t_{pd} = 10.0\text{ ns (max) at } V_{CC} = 1.4\sim 1.6\text{ V}$
- High-level output current:
 $I_{OH}/I_{OL} = \pm 24\text{ mA (min) at } V_{CC} = 3.0\text{ V}$
 $I_{OH}/I_{OL} = \pm 18\text{ mA (min) at } V_{CC} = 2.3\text{ V}$
 $I_{OH}/I_{OL} = \pm 4\text{ mA (min) at } V_{CC} = 1.4\text{ V}$
- 3.6 V tolerant inputs



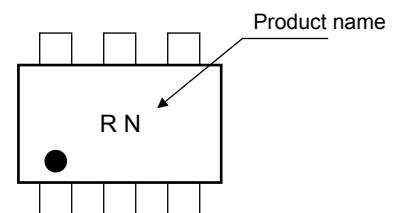
Weight: 0.003 g (typ.)

Maximum Ratings (Ta = 25°C)

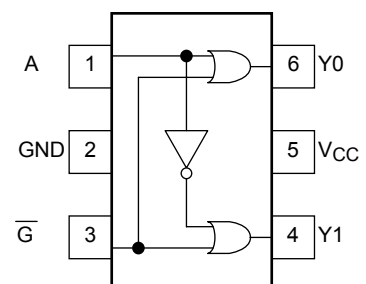
Characteristics	Symbol	Value	Unit
Power supply voltage	V_{CC}	$-0.5\sim 4.6$	V
DC input voltage	V_{IN}	$-0.5\sim 4.6$	V
DC output voltage	V_{OUT}	$-0.5\sim V_{CC} + 0.5$ (Note 1)	V
Input diode current	I_{IK}	-50	mA
Output diode current	I_{OK}	± 50 (Note 2)	mA
DC output current	I_{OUT}	+50	mA
Power dissipation	P_D	150	mW
DC V_{CC} /ground current	I_{CC}	± 100	mA
Storage temperature	T_{stg}	$-65\sim 150$	°C

Note 1: High or Low state. The I_{OUT} maximum rating must be adhere to.Note 2: $V_{OUT} < GND, V_{OUT} > V_{CC}$

Marking



Pin Assignment (top view)



Truth Table

Inputs		Outputs		Selected Output
Enable	Select	Y0	Y1	
\bar{G}	A			
H	X	H	H	None
L	L	L	H	Y0
L	H	H	L	Y1

Recommended Operating Conditions

Characteristics	Symbol	Value	Unit
Power supply voltage	V_{CC}	1.4~3.6	V
		1.2~3.6 (Note 3)	
Input voltage	V_{IN}	-0.3~3.6	V
Output voltage	V_{OUT}	0~ V_{CC} (Note 4)	V
Output Current	I_{OH}/I_{OL}	± 24 (Note 5)	mA
		± 18 (Note 6)	
		± 4 (Note 7)	
Operating temperature	T_{opr}	-40~85	°C
Input rise and fall time	d_t/d_v	0~10 (Note 8)	ns/V

Note 3: Data retention only

Note 4: High or Low state

Note 5: $V_{CC} = 3.0\sim 3.6$ V

Note 6: $V_{CC} = 2.3\sim 2.7$ V

Note 7: $V_{CC} = 1.4\sim 1.9$ V

Note 8: $V_{IN} = 0.8\sim 2.0$ V, $V_{CC} = 3.0$ V

DC Electrical Characteristics (Ta = -40~85°C, 2.7 V < VCC ≤ 3.6 V)

Characteristics	Symbol	Test Condition		VCC (V)	Min	Max	Unit
High-Level Input Voltage	V _{IH}	—		2.7~3.6	2.0	—	V
Low-Level Input Voltage	V _{IL}	—		2.7~3.6	—	0.8	
High-Level Output Voltage	V _{OH}	V _{IN} = V _{IH} or V _{IL}	I _{OH} = -100 μA	2.7~3.6	V _{CC} - 0.2	—	V
			I _{OH} = -12 mA	2.7	2.2	—	
			I _{OH} = -18 mA	3.0	2.4	—	
			I _{OH} = -24 mA	3.0	2.2	—	
Low-Level Output Voltage	V _{OL}	V _{IN} = V _{IH} or V _{IL}	I _{OL} = 100 μA	2.7~3.6	—	0.2	V
			I _{OL} = 12 mA	2.7	—	0.4	
			I _{OL} = 18 mA	3.0	—	0.4	
			I _{OL} = 24 mA	3.0	—	0.55	
Input Leakage Current	I _{IN}	V _{IN} = 0~3.6 V		2.7~3.6	—	±10.0	μA
Quiescent Supply Current	I _{CC}	V _{IN} = V _{CC} or GND		2.7~3.6	—	20.0	μA
		V _{CC} ≤ V _{IN} ≤ 3.6 V		2.7~3.6	—	±20.0	
Increase in I _{CC} per Input	ΔI _{CC}	V _{IH} = V _{CC} - 0.6 V		2.7~3.6	—	750	

DC Electrical Characteristics (Ta = -40~85°C, 2.3 V ≤ VCC ≤ 2.7 V)

Characteristics	Symbol	Test Condition		VCC (V)	Min	Max	Unit
High-Level Input Voltage	V _{IH}	—		2.3~2.7	1.6	—	V
Low-Level Input Voltage	V _{IL}	—		2.3~2.7	—	0.7	
High-Level Output Voltage	V _{OH}	V _{IN} = V _{IH} or V _{IL}	I _{OH} = -100 μA	2.3~2.7	V _{CC} - 0.2	—	V
			I _{OH} = -6 mA	2.3	2.0	—	
			I _{OH} = -12 mA	2.3	1.8	—	
			I _{OH} = -18 mA	2.3	1.7	—	
Low-Level Output Voltage	V _{OL}	V _{IN} = V _{IH} or V _{IL}	I _{OL} = 100 μA	2.3~2.7	—	0.2	V
			I _{OL} = 12 mA	2.3	—	0.4	
			I _{OL} = 18 mA	2.3	—	0.6	
Input Leakage Current	I _{IN}	V _{IN} = 0~3.6 V		2.3~2.7	—	±10.0	μA
Quiescent Supply Current	I _{CC}	V _{IN} = V _{CC} or GND		2.3~2.7	—	20.0	μA
		V _{CC} ≤ V _{IN} ≤ 3.6 V		2.3~2.7	—	±20.0	

DC Electrical Characteristics (Ta = -40~85°C, 1.4 V ≤ VCC < 2.3 V)

Characteristics	Symbol	Test Condition		VCC (V)	Min	Max	Unit
High-Level Input Voltage	V _{IH}	—		1.4~2.3	V _{CC} × 0.7	—	V
Low-Level Input Voltage	V _{IL}	—		1.4~2.3	—	V _{CC} × 0.13	
High-Level Output Voltage	V _{OH}	V _{IN} = V _{IH} or V _{IL}	I _{OH} = -100 μA	1.4	V _{CC} - 0.2	—	V
			I _{OH} = -4 mA	1.4	1.0	—	
Low-Level Output Voltage	V _{OL}	V _{IN} = V _{IH} or V _{IL}	I _{OL} = 100 μA	1.4	—	0.2	V
			I _{OL} = 4 mA	1.4	—	0.3	
Input Leakage Current	I _{IN}	V _{IN} = 0~3.6 V		1.4	—	±10.0	μA
Quiescent Supply Current	I _{CC}	V _{IN} = V _{CC} or GND		1.4	—	20.0	μA
		V _{CC} ≤ V _{IN} ≤ 3.6 V		1.4	—	±20.0	

AC Electrical Characteristics (Ta = -40~85°C, input t_r = t_f = 2.0 ns)

Characteristics	Symbol	Test Condition		VCC (V)	Min	Max	Unit
Propagation delay time (A or \bar{G} - Y0 or Y1)	t _{pLH} t _{pHL}	(Figure 1 and 2)	C _L =15pF, R _L =1MΩ	1.5 ± 0.1	1.8	10.0	ns
				1.8 ± 0.15	1.5	8.0	
				2.5 ± 0.2	0.8	3.9	
				3.3 ± 0.3	0.6	3.3	
			C _L =30pF, R _L =500Ω	1.5 ± 0.1	2.0	13.0	ns
				1.8 ± 0.15	1.8	9.5	
				2.5 ± 0.2	1.2	5.0	
				3.3 ± 0.3	1.0	4.0	

For C_L = 50 pF, add approximately 300 ps to the AC maximum specification.

Capacitive Characteristics (Ta = 25°C)

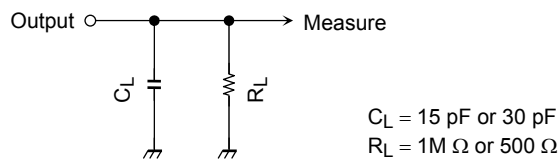
Characteristics	Symbol	Test Condition		VCC (V)	TYP.	Unit
Input Capacitance	C _{IN}	—		1.8, 2.5, 3.3	6	pF
Power Dissipation Capacitance	C _{PD}	f _{IN} = 10 MHz	(Note 9)	1.8, 2.5, 3.3	20	pF

Note 9: C_{PD} is defined as the value of the internal equivalent capacitance which is calculated from the operating current consumption without load.

Average operating current can be obtained by the equation:

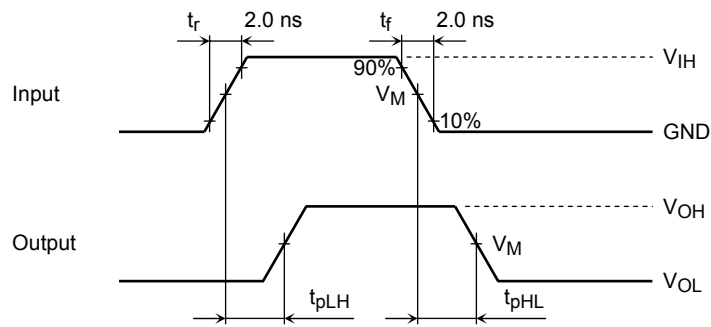
$$I_{CC (opr.)} = C_{PD} \cdot V_{CC} \cdot f_{IN} + I_{CC}$$

Figure 1 Test Circuit



AC Waveforms

Figure 2 t_{pLH} , t_{pHL}

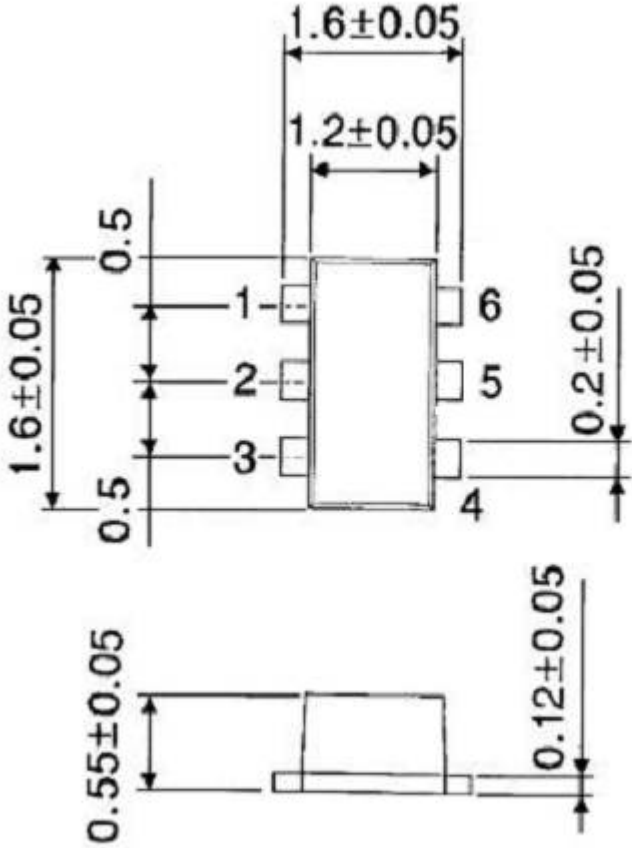


Symbol	V_{CC}			
	$3.3 \pm 0.3 \text{ V}$	$2.5 \pm 0.2 \text{ V}$	$1.8 \pm 0.15 \text{ V}$	$1.5 \pm 0.1 \text{ V}$
V_{IH}	2.7 V	V_{CC}	V_{CC}	V_{CC}
V_M	1.5 V	$V_{CC}/2$	$V_{CC}/2$	$V_{CC}/2$

Package Dimensions

SON6-P-0.50

Unit : mm



Weight: 0.003 g (typ.)

RESTRICTIONS ON PRODUCT USE

030619EBA

The information contained herein is subject to change without notice.

The information contained herein is presented only as a guide for the applications of our products. No responsibility is assumed by TOSHIBA for any infringements of patents or other rights of the third parties which may result from its use. No license is granted by implication or otherwise under any patent or patent rights of TOSHIBA or others.

TOSHIBA is continually working to improve the quality and reliability of its products. Nevertheless, semiconductor devices in general can malfunction or fail due to their inherent electrical sensitivity and vulnerability to physical stress. It is the responsibility of the buyer, when utilizing TOSHIBA products, to comply with the standards of safety in making a safe design for the entire system, and to avoid situations in which a malfunction or failure of such TOSHIBA products could cause loss of human life, bodily injury or damage to property.

In developing your designs, please ensure that TOSHIBA products are used within specified operating ranges as set forth in the most recent TOSHIBA products specifications. Also, please keep in mind the precautions and conditions set forth in the "Handling Guide for Semiconductor Devices," or "TOSHIBA Semiconductor Reliability Handbook" etc..

The TOSHIBA products listed in this document are intended for usage in general electronics applications (computer, personal equipment, office equipment, measuring equipment, industrial robotics, domestic appliances, etc.). These TOSHIBA products are neither intended nor warranted for usage in equipment that requires extraordinarily high quality and/or reliability or a malfunction or failure of which may cause loss of human life or bodily injury ("Unintended Usage"). Unintended Usage include atomic energy control instruments, airplane or spaceship instruments, transportation instruments, traffic signal instruments, combustion control instruments, medical instruments, all types of safety devices, etc.. Unintended Usage of TOSHIBA products listed in this document shall be made at the customer's own risk.

The products described in this document are subject to the foreign exchange and foreign trade laws.

TOSHIBA products should not be embedded to the downstream products which are prohibited to be produced and sold, under any law and regulations.