

TOSHIBA CMOS DIGITAL INTEGRATED CIRCUIT SILICON MONOLITHIC

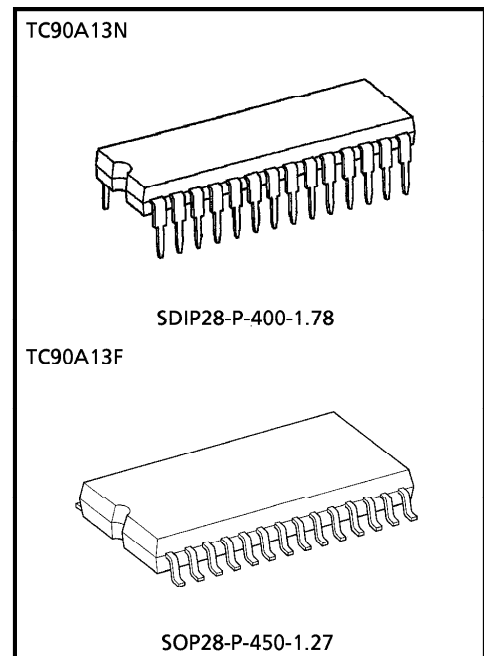
TC90A13N, TC90A13F

3 LINE DIGITAL Y/C SEPARATION IC

The TC90A13N and TC90A13F separate luminance (Y) and chrominance (C) signals from an NTSC composite video signal. It employs the Toshiba original logical comb filter to realize high performance Y/C separation at low cost.

FEATURES

- NTSC system
- PLL 4X multiplication circuit
- Sync. tip clamping circuit
- 8bit A/D converter
- 8bit D/A converters (2ch)
- 2H line memory
- Dynamic comb filter
- 1 line dot correction circuit
- Vertical enhancer
- Color killer mode (Y/C separation OFF)
- Chrominance wide band output mode
- SDIP28 / SOP28 package
- 5V single power supply



Weight
 SDIP28-P-400-1.78 : 1.7g (Typ.)
 SOP28-P-450-1.27 : 0.8g (Typ.)

961001EBA2

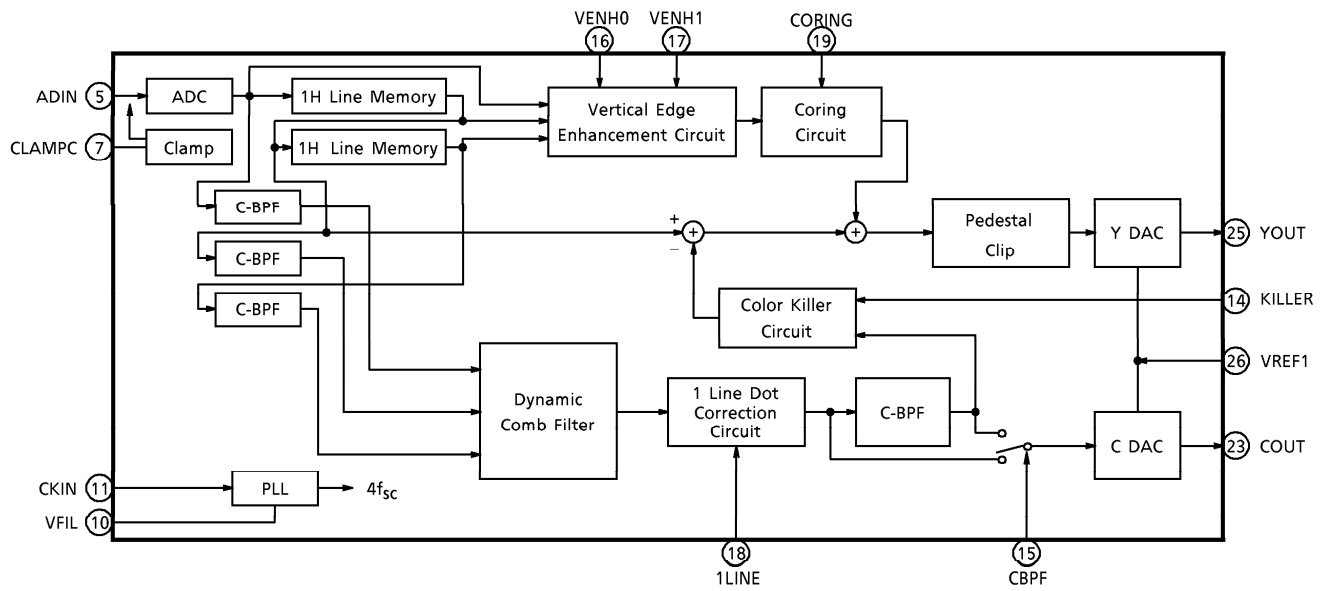
● TOSHIBA is continually working to improve the quality and the reliability of its products. Nevertheless, semiconductor devices in general can malfunction or fail due to their inherent electrical sensitivity and vulnerability to physical stress. It is the responsibility of the buyer, when utilizing TOSHIBA products, to observe standards of safety, and to avoid situations in which a malfunction or failure of a TOSHIBA product could cause loss of human life, bodily injury or damage to property. In developing your designs, please ensure that TOSHIBA products are used within specified operating ranges as set forth in the most recent products specifications. Also, please keep in mind the precautions and conditions set forth in the TOSHIBA Semiconductor Reliability Handbook.

● The products described in this document are subject to foreign exchange and foreign trade control laws.

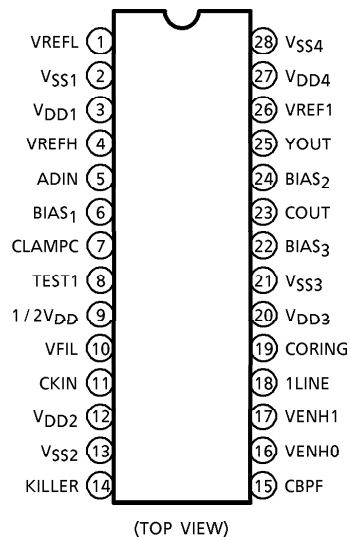
● The information contained herein is presented only as a guide for the applications of our products. No responsibility is assumed by TOSHIBA CORPORATION for any infringements of intellectual property or other rights of the third parties which may result from its use. No license is granted by implication or otherwise under any intellectual property or other rights of TOSHIBA CORPORATION or others.

● The information contained herein is subject to change without notice.

BLOCK DIAGRAM



TERMINAL CONNECTION DIAGRAM



TERMINAL FUNCTION

PIN No.	NAME	FUNCTION	PIN No.	NAME	FUNCTION
1	VREFL	Bias for ADC	15	CBPF	L : C-BPF = WIDE, H : NARROW
2	VSS1	GND for ADC	16	VENH0	Vertical edge enhanced level (VENH0, VENH1) = (L, L) = OFF (H, L) = Low (L, H) = MID, (H, H) = High
3	VDD1	VDD for ADC	17	VENH1	
4	VREFH	Bias for ADC	18	1LINE	L : 1 line color ON H : 1 line color OFF
5	ADIN	Video input	19	CORING	L : Coring ON H : Coring OFF
6	BIAS ₁	Bias for ADC	20	VDD3	VDD for digital
7	CLAMPC	Clamp filter	21	VSS3	GND for digital
8	TEST1	Test terminal	22	BIAS ₃	Bias for DAC
9	1/2VDD	Bias for line memory	23	COUT	C output
10	VFIL	VCO filter	24	BIAS ₂	Bias for DAC
11	CKIN	Clock input	25	YOUT	Y output
12	VDD2	VDD for PLL	26	VREF1	Bias for DAC
13	VSS2	GND for PLL	27	VDD4	VDD for DAC
14	KILLER	L : Color, H : B/W mode	28	VSS4	GND for DAC

(Note) Pin 9 and Pin 26 require external bias

FUNCTION BLOCK DESCRIPTIONS**1. Input clamp (CLAMP)**

This block performs sync tip clamping of the composite video signal. It provides a feedback signal for clamping A/D-converted minimum data at Y/C separation to the internal DC bias level.

2. A/D converter (ADC)

This block comprises a high-speed series-parallel 8bit A/D converter that accepts an input video signal of 1.5V_{p-p} (from sync level to 100% white level).

3. 1H memory

This block consists of DRAM resident line memory for 1H delay. The 3-line comb filter is configured from two pairs of line memory.

4. Vertical edge enhancement circuit (VENH)

This block enhances the uncorrelated components among the three lines of the luminance signal following coring. There are three enhancement level selections of HIGH (1.9dB), MID (1.0dB) and LOW (0.5dB). The luminance signal, obtained by subtracting the chrominance signal from the composite video signal, is added to the vertical edge enhancement component and output through the D/A converter. However, this output signal is limited to the pedestal level (fixed internally) by the pedestal clipping circuit (except for the sync tip level).

5. Horizontal band-pass filter (BPF)

In this block, with fsc as the center frequency of the BPF, the chrominance signal is extracted from the 0H, 1H and 2H delayed composite video signal. Since the BPF for the chrominance signal output can be controlled (ON or OFF), the chrominance output can therefore be switched between a narrow band width and a wide band width.

6. Vertical dynamic comb filter (DCF)

This block comprises a band-pass filter that extracts the vertical component of the chrominance signal. Using Toshiba original logic, a correlation of the three lines is sought for. The absence of correlation is taken as an indication of a luminance signal, at which time chrominance signal output is suppressed.

7. 1-line dot correction circuit

Previously, a 1-line-only chrominance signal was processed as a luminance signal resulting in dot crawl. This circuit prevents this problem by extracting the 1-line dot component and adding it to the dynamic comb filter output. This circuit block can be set ON or OFF.

8. Clock and memory timing generator (RTIM)

This block supplies a 4 fsc (PLL 4X multiplied) buffered signal to the other circuit blocks, and also generates a timing signal for the memory.

9. D/A converter (DAC)

This block comprises a high-speed 8bit D/A converter. It provides Y output at approximately 1.5V_{p-p} and burst-level C output at approximately 572mV_{p-p}.

MODE TABLE

PIN 14 KILLER	PIN 15 CBPF	PIN 16 VENH0	PIN 17 VENH1	PIN 18 1 LINE	PIN 19 CORING	MODE	ACTION
L	—	—	—	—	—	Y/C separation ON	Color mode
H	—	—	—	—	—	Y/C separation OFF	B/W mode (Killer)
—	L	—	—	—	—	Chrominance signal horizontal band width WIDE	Passes through BPF for chrominance signal output
—	H	—	—	—	—	Chrominance signal horizontal band width NARROW	Does not pass through BPF for chrominance signal output
—	—	L	L	—	—	Vertical enhance OFF	No vertical enhancement
—	—	H	L	—	—	Vertical enhance level MID	Vertical enhancement level 0.5dB
—	—	L	H	—	—	Vertical enhance level LOW	Vertical enhancement level 1.0dB
—	—	H	H	—	—	Vertical enhance level HIGH	Vertical enhancement level 1.9dB
—	—	—	—	L	—	1 line color ON	1 line dot correction circuit ON
—	—	—	—	H	—	1 line color OFF	1 line dot correction circuit OFF
—	—	—	—	—	L	Coring ON	Coring circuit ON
—	—	—	—	—	H	Coring OFF	Coring circuit OFF

RATINGS AND CHARACTERISTICS

The following specifications were obtained in part from the test circuit shown on page 8.

MAXIMUM RATINGS (Ta = 25°C)

CHARACTERISTIC	SYMBOL	RATING	UNIT	
Power Supply Voltage	V _{DD}	V _{SS} ~V _{SS} + 6.0	V	
Input Voltage	V _{IN}	-0.3~V _{DD} + 0.3	V	
Power Dissipation	TC90A13N TC90A13F	P _D (Note)	900	mW
			600	
Storage Temperature	T _{stg}	-55~125	°C	

(Note) Ta = 75°C

RECOMMENDED OPERATING CONDITIONS

CHARACTERISTIC	SYMBOL	TEST CONDITION	MIN.	TYP.	MAX.	UNIT
Power Supply Voltage	V _{DD}	—	4.75	5.0	5.25	V
Input Voltage	V _{IN}	—	0	—	V _{DD}	V
Operating Temperature	T _{opr}	—	-10	—	75	°C

ELECTRICAL CHARACTERISTICS

DC CHARACTERISTICS (Ta = 25°C, VDD = 5V)

CHARACTERISTIC		SYMBOL	TEST CIR-CUIT	TEST CONDITION	MIN.	TYP.	MAX.	UNIT
Power Supply Voltage		VDD	1	CLOCK = 3.579545MHz 500mVp-p VREF1 = 3.0V 1/2VDD = 2.5V VIN = No input (Note 2)	4.75	5.0	5.25	V
Supply Current		IDD	1		40	60	80	mA
Output Voltage Level		YOUT	1		3.0	3.15	3.3	V
		COU			3.9	4.0	4.1	
Pin Voltage Level		VREFL	1		1.4	1.5	1.6	V
		VREFH			3.4	3.5	3.6	
		ADIN			1.5	1.6	1.8	
		BIAS1			0.8	1.4	2.4	
		BIAS2			0.8	1.6	2.6	
		BIAS3			2.4	3.4	4.4	
		CLAMPC		2.0	3.0	4.0		
		VFIL		0.9	1.9	2.9		
Input Voltage		High Level	1	4	—	—	V	
				Low Level	—	—		1
ADIN Pin Input Capacitance		CIN	1	—	50	—	pF	
Pull Down Resistance		RPD	1	25	50	100	kΩ	

(Note 1) External bias must be applied at Pin 9 and Pin 26.

(Note 2) ID_D is V_{IN} = modulated lamp wave.

AC CHARACTERISTICS

Y output (Ta = 25°C, VDD = 5V, Clock frequency 3.579545MHz, 0.5Vp-p, S1 = 2, VREF1 = 3.0V)

CHARACTERISTIC	SYMBOL	TEST CIR-CUIT	TEST CONDITION	MIN.	TYP.	MAX.	UNIT
Input Level	V _{IN}	1	0~140IRE	—	1.5	1.6	V _{p-p}
Low Frequency Gain	GV	1	S2 = 2, S3 = 2, S4 = 1, S5 = 2 V _{IN} = 15.734kHz, 1.5V _{p-p} V _{dc} = 2.5V	-0.5	0.0	0.5	dB
Frequency Response	MTF1	1	S2 = 2, S3 = 2, S4 = 1, S5 = 2 f ₂ / f ₁	-2.0	-1.2	-0.5	dB
	MTF2	1	V _{IN} = 1.5V _{p-p} V _{dc} = 2.5V f ₄ / f ₁	-3.0	-2.0	-1.5	
Comb Characteristics	Comb	1	S2 = 2, S3 = 2, S4 = 1, S5 = 2 V _{IN} = 1.5V _{p-p} V _{dc} = 2.5V f ₂ / f ₃	40	45	—	dB
Linearity (Fig.1)	L _s	1	S2 = 1, S3 = 1, S4 = 1, S5 = 2 Y1 / Y ₂	35	40	43	%
	L _y	1	V _{IN} = 5 step signal, 1.5V _{p-p} (Fig.2) S / Y ₂	57	60	63	
Output Impedance	Z _o	1	S2 = 1, S3 = 1, S5 = 2 V _{IN} = 15.734kHz, 1.5V _{p-p} V _{dc} = 2.5V $Z_o = \frac{V1 - V2}{V2} \times 400$ V1 : S4 = 1, V2 : S4 = 2	250	400	700	Ω
Clock Leakage (4f _{sc} Components)	L _{ck}	1	S2 = 2, S3 = 2, S4 = 1, S5 = 1 V _{IN} = No input	—	5.0	20	mV _{rms}
Fundamental Clock Leakage (f _{sc} Components)	L _{sc}	1	S2 = 2, S3 = 2, S4 = 1, S5 = 1 V _{IN} = No input	—	1.0	2.0	mV _{rms}

C output (Ta = 25°C, VDD = 5V, Clock frequency 3.579545MHz, 0.5Vp-p, S1 = 1, VREF1 = 3.0V)

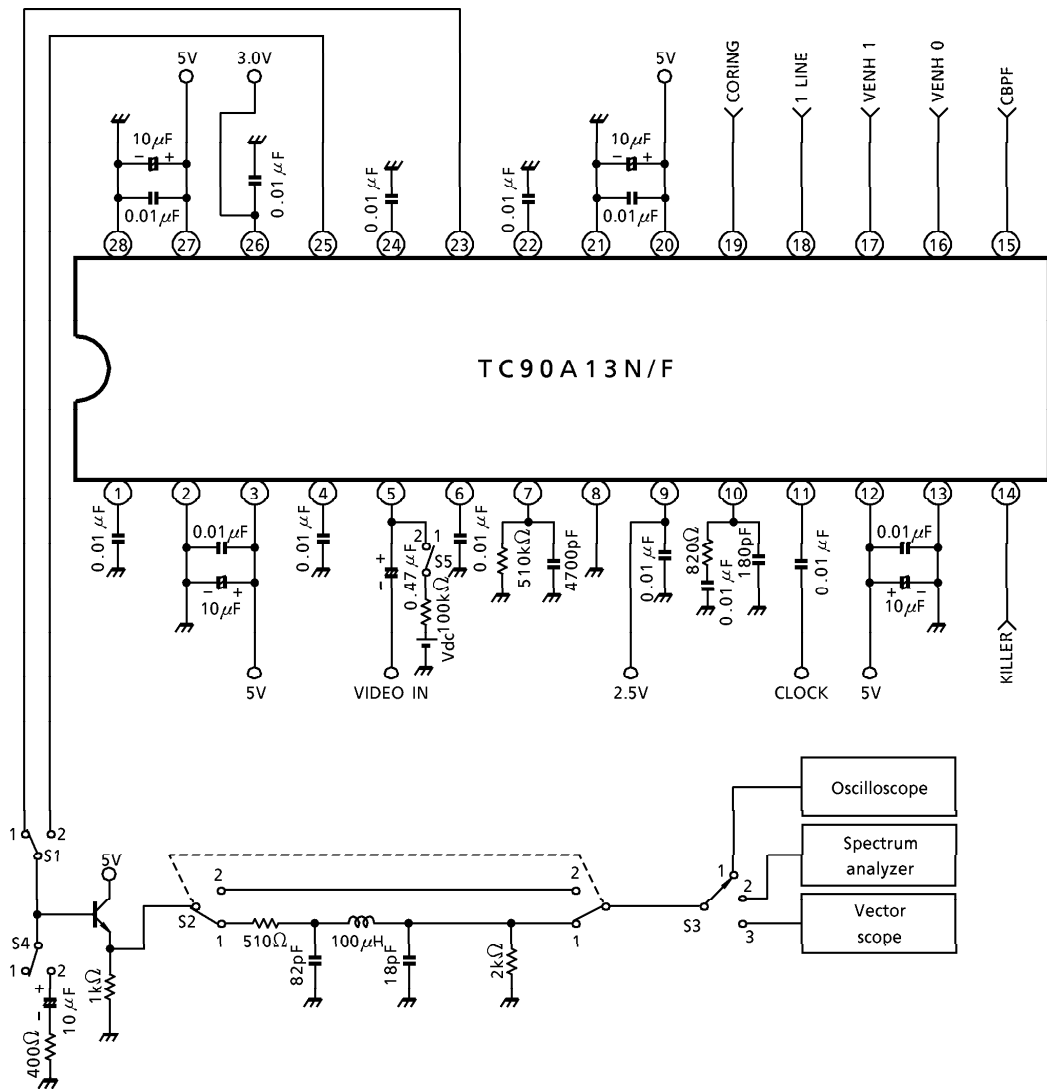
CHARACTERISTIC		SYMBOL	TEST CIR-CUIT	TEST CONDITION	MIN.	TYP.	MAX.	UNIT	
BPF Characteristics	WIDE	BWCW	1	S2 = 2, S3 = 2, S4 = 1, S5 = 2 Difference of amplitude between 1f _{SC} and 1f _{SC} - 503496Hz VIN = 1.5Vp-p, Vdc = 2.5V	-0.5	-0.2	—	dB	
	NARROW	BWCN	1	S2 = 2, S3 = 2, S4 = 1, S5 = 2 Difference of amplitude between 1f _{SC} and 1f _{SC} - 503496Hz VIN = 1.5Vp-p, Vdc = 2.5V	-1.0	-0.5	—		
Gain		CV	1	S2 = 2, S3 = 2, S4 = 1, S5 = 1 VIN = f _{SC} , 430mVp-p	-2.0	-0.9	-0.6	dB	
Comb Characteristics		Comb	1	S2 = 2, S3 = 2, S4 = 1, S5 = 2 VIN = 430mVp-p, Vdc = 2.5V	f3 / f2	30	35	—	dB
Differential Gain		DG	1	S2 = 2, S3 = 3, S4 = 1, S5 = 1 VIN = 5 step signal, Y = 140IRE = 1.5Vp-p C = 40IRE (Fig.2)	0	2	5	%	
Differential Phase		DP	1	DG = (Comax - Comin) / Comax (Fig.3)	0	2	5	°	
Output Impedance		Zo	1	S2 = 2, S3 = 2, S5 = 2 VIN = 15.734kHz, 1.5Vp-p Vdc = 2.5V $Z_o = \frac{V1 - V2}{V2} \times 400$ V1 : S4 = 1, V2 : S4 = 2	250	400	700	Ω	
Clock Leak (4f _{SC} Components)		L _{ck}	1	S2 = 2, S3 = 2, S4 = 1, S5 = 1 VIN = No input	—	5.0	20	mV _{rms}	
Fundamental Clock Leak (f _{SC} Components)		L _{sc}	1	S2 = 2, S3 = 2, S4 = 1, S5 = 1 VIN = No input	—	0.3	1.0	mV _{rms}	

f1 = 15.734kHz, f2 = 3.587412MHz, f3 = 3.595279MHz, f4 = 4.783216MHz

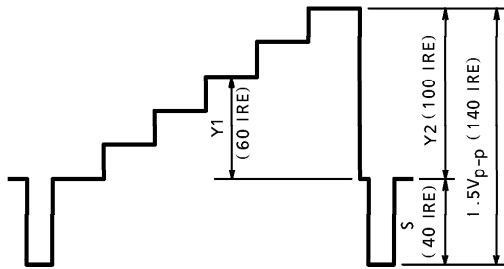
PLL CIRCUIT CHARACTERISTICS

CHARACTERISTIC	SYMBOL	TEST CIR-CUIT	TEST CONDITION	MIN.	TYP.	MAX.	UNIT
Pull-in Frequency Range	fck	1	—	3.57	3.58	3.59	MHz
Input Amplitude (f _{SC} Components)	Vck	1	—	0.4	0.5	—	Vp-p

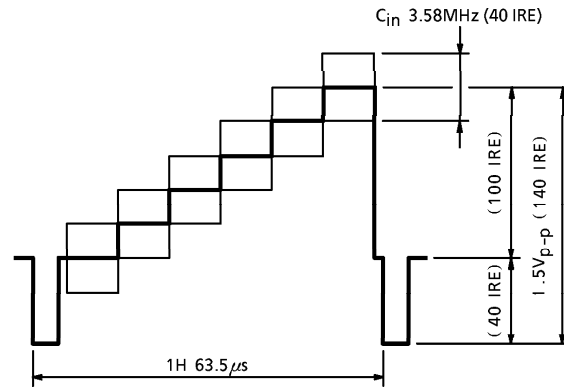
TEST CIRCUIT 1



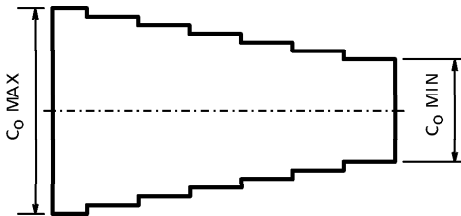
Linearity test (Fig.1)



5 Step signal (Fig.2)

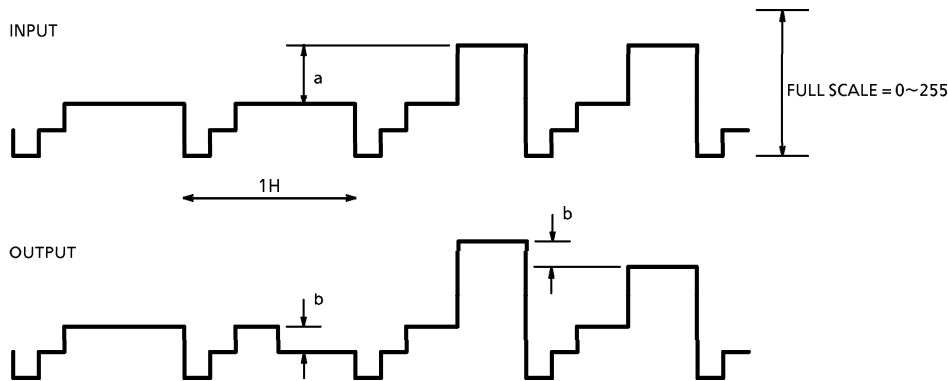


Chroma differential gain (Fig.3)



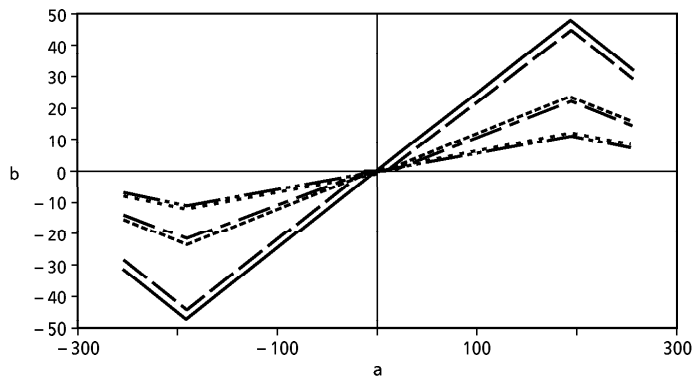
REFERENCE DATA

(Fig.4-a) Definition of vertical edge enhancement

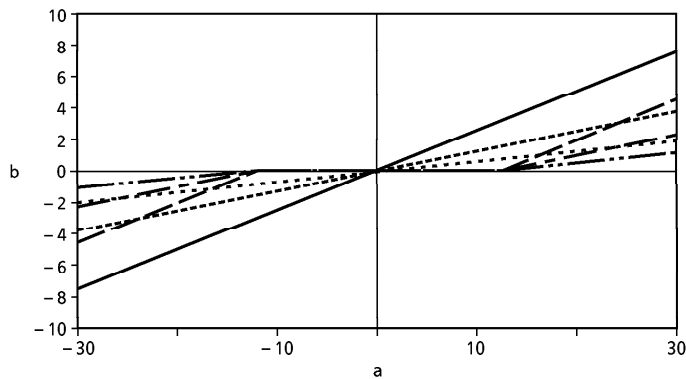


(Note) The output signal, to which the vertical edge enhancement component is added, is limited to pedestal level by the pedestal clip circuit.

(Fig.4-b) Vertical edge enhancement characteristic



(Fig.4-c) Vertical edge enhancement characteristic (detail)

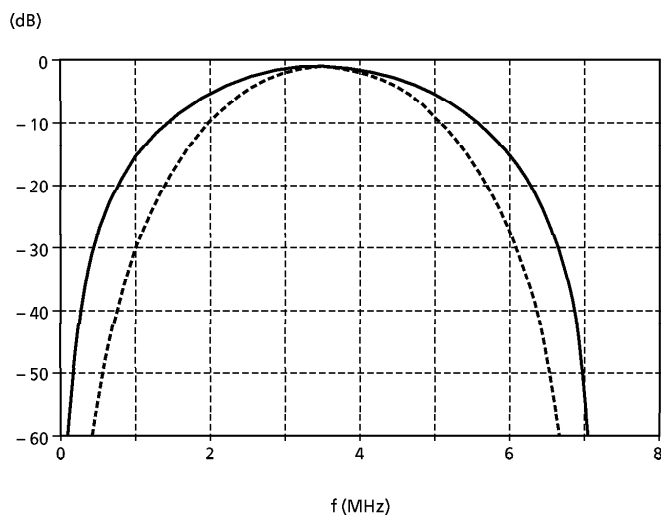


The relation between a and b. (refer to Fig.4-a)
 a : The difference in luminance level is in the enhanced part of the edge.
 b : The component of vertical edge enhancement that is added to the luminance signal.
 Both are expressed as digital values.

— (A) Enhance Value HIGH - - - - (B) MID ····· (C) LOW
 - - - (D) Enhance value HIGH - - - (E) MID - - - (F) LOW

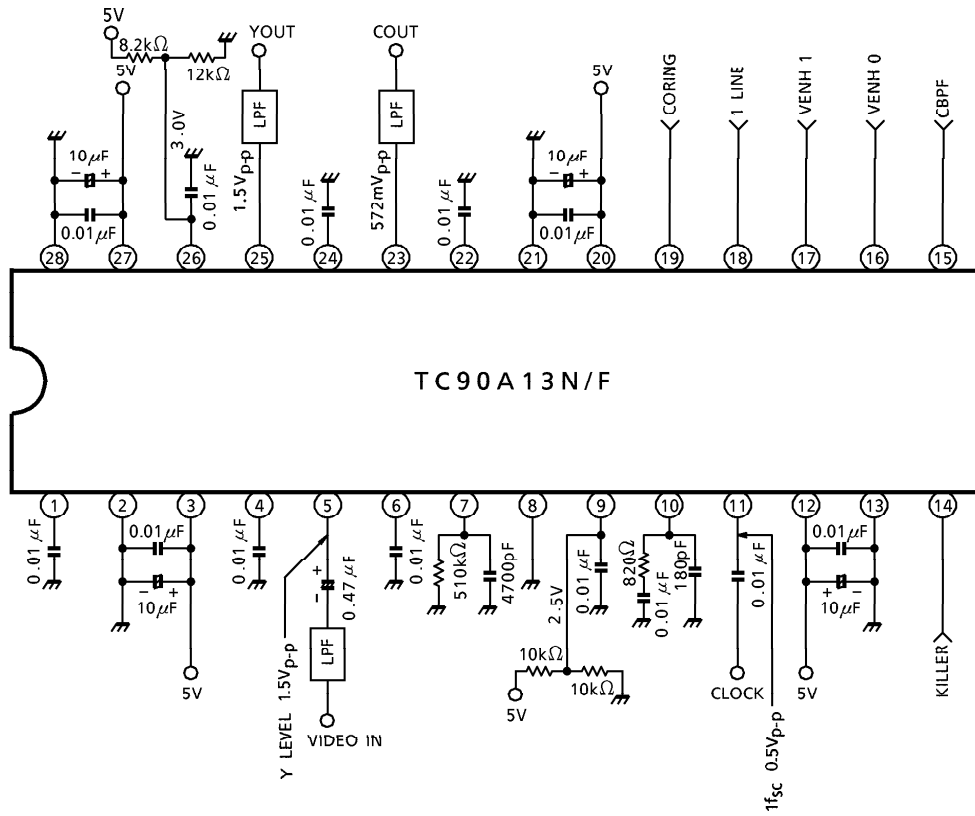
A, B, C : Coring=OFF D, E, F : Coring=ON

(Fig.5) Frequency characteristics of chroma output



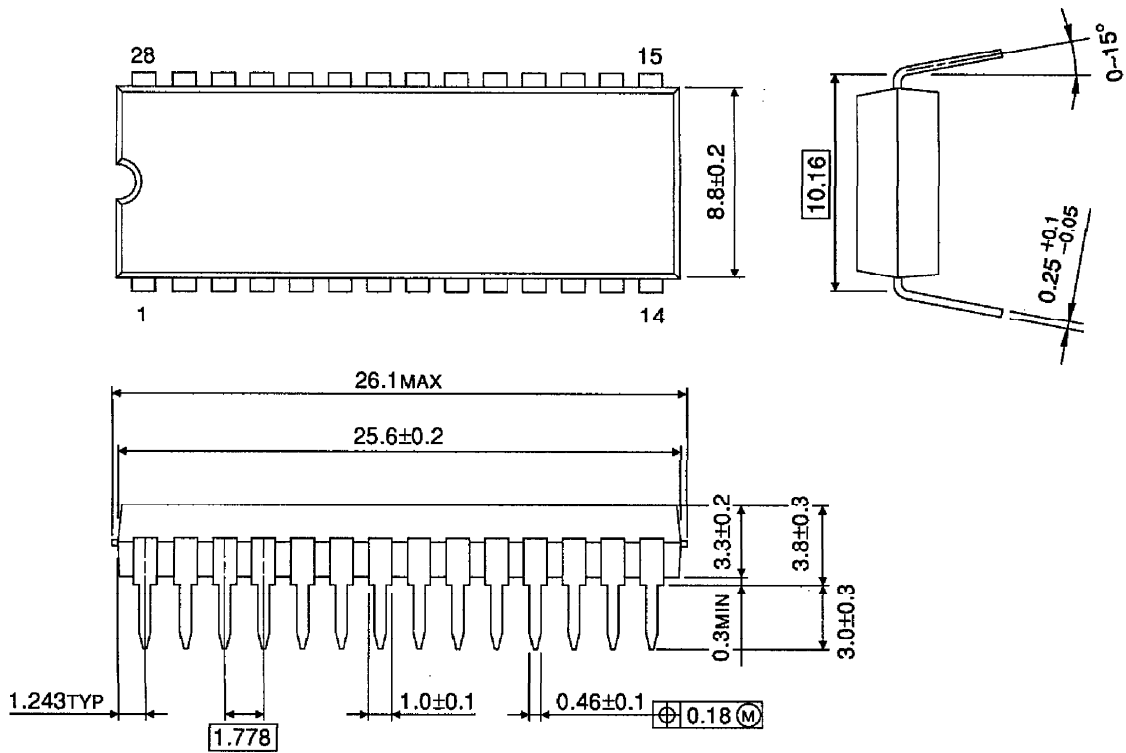
— Wide band width
 - - - Narrow band width

APPLICATION CIRCUIT



OUTLINE DRAWING
SDIP28-P-400-1.78

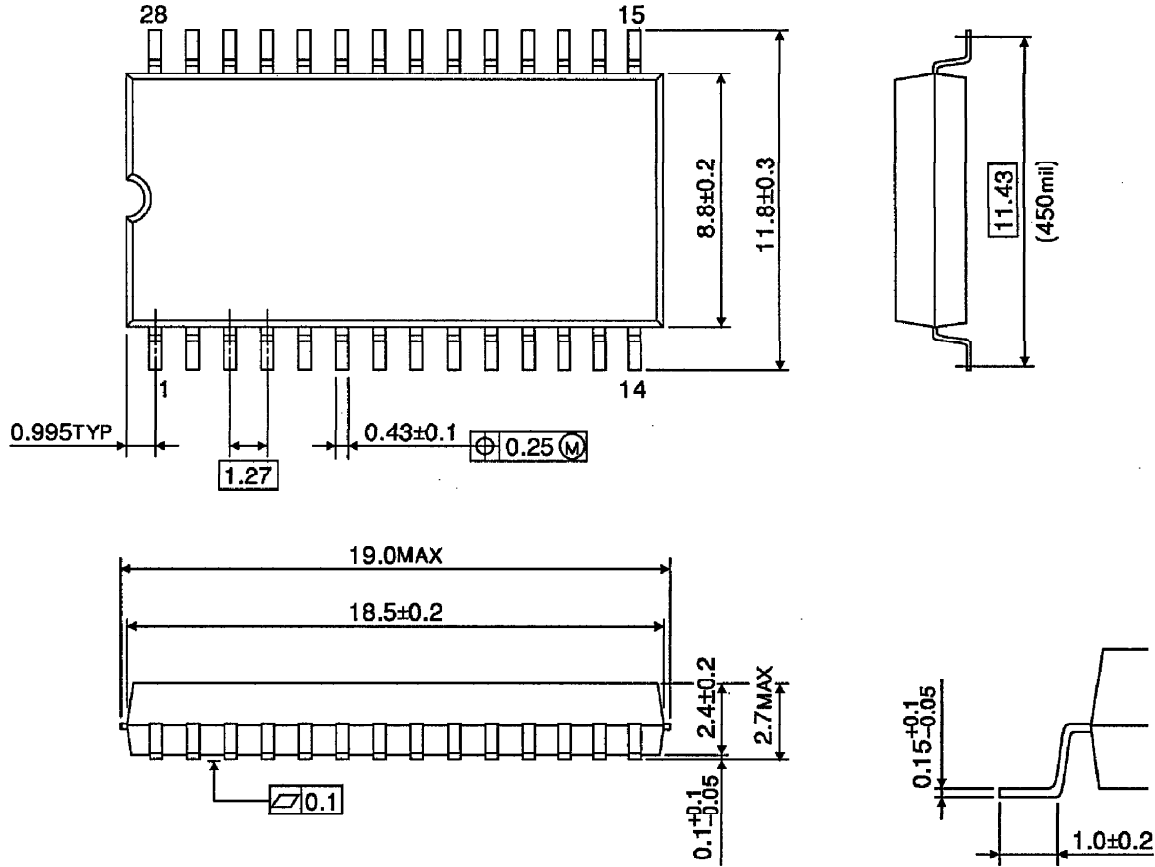
Unit : mm



Weight : 1.7g (Typ.)

OUTLINE DRAWING
SOP28-P-450-1.27

Unit : mm



Weight : 0.8g (Typ.)