

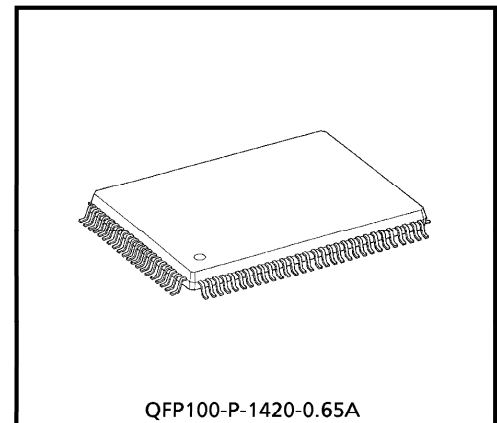
TC90A17F

PAP / PIP / POP CONTROLLER FOR NTCS / PAL WIDE TV

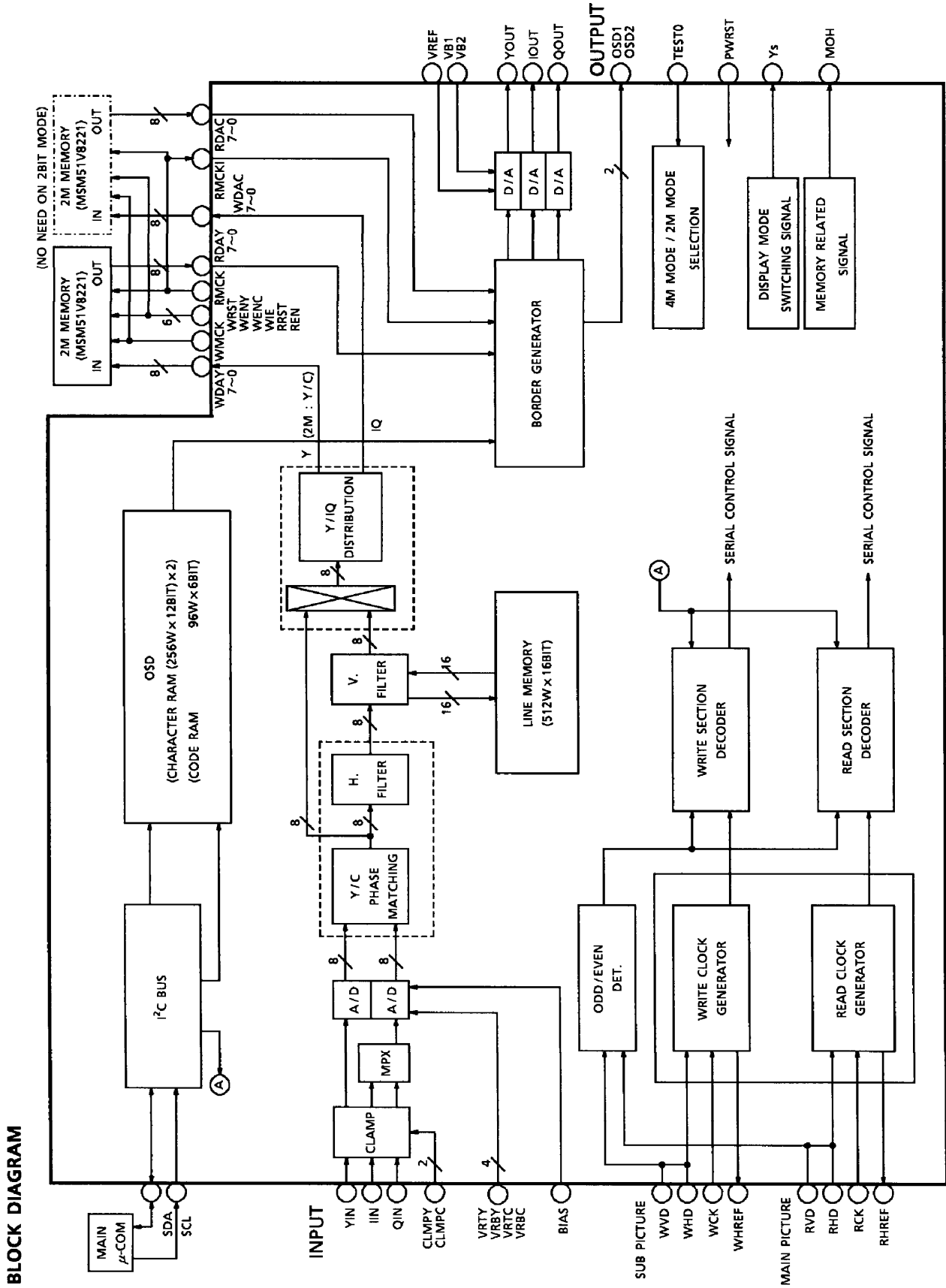
The TC90A17F is a PAP (picture and picture)/PIP/POP control IC with built in ADC and DAC. The control IC can be used for NTSC/PAL by combining with field memory and video signal processing IC. This IC is equipped with various display screen functions and is most suitable as a wide TV additional function controller.

FEATURES

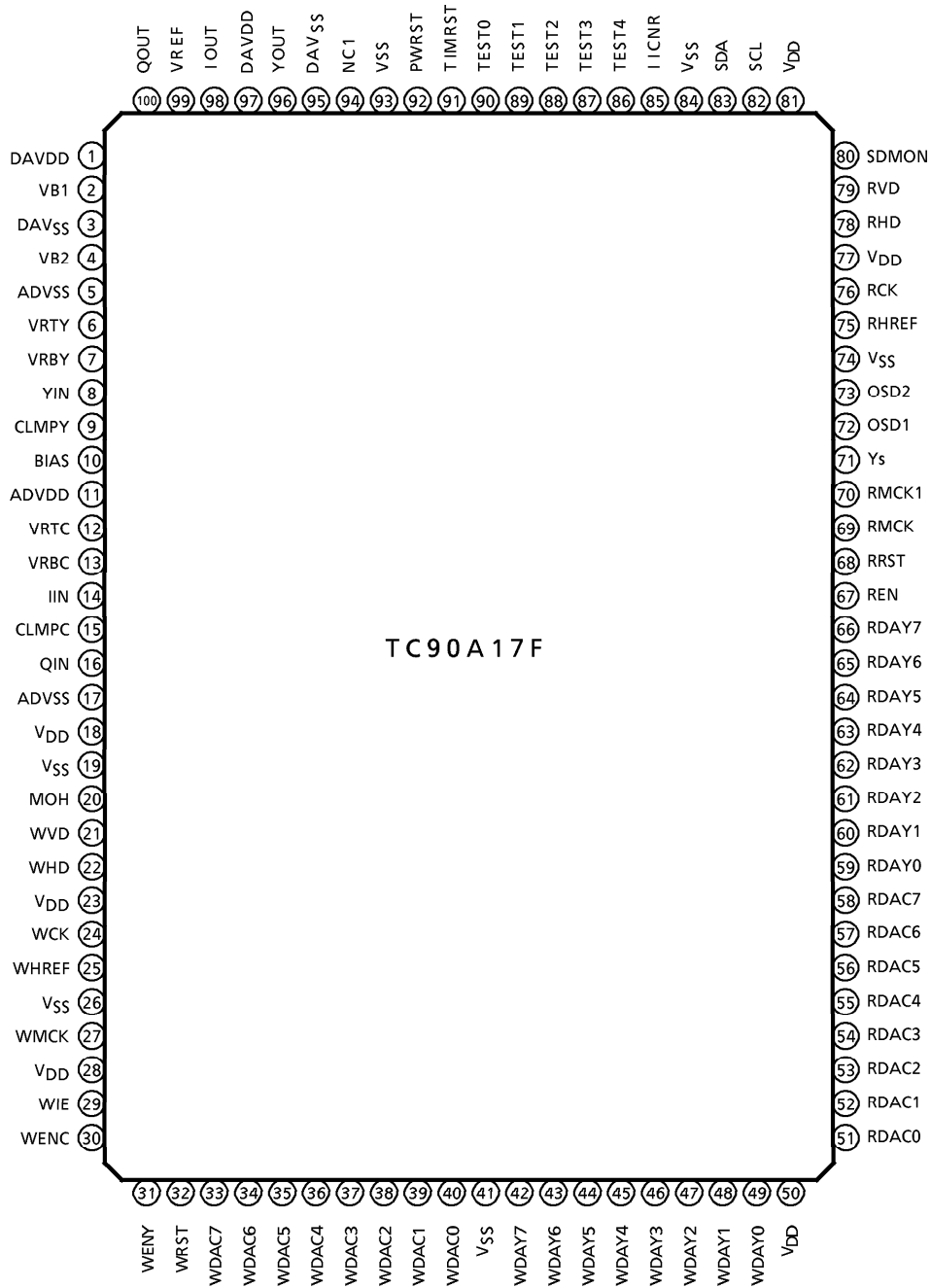
- Incorporates two 8bit A/D converters, three 8bit D/A converters, a clamping circuit, and a multiplexer into a single chip.
- External field memory and broadcast method
 - 2M bit mode : For NTSC only
 - 4M bit mode : For NTSC/PAL
- Display screen functions
 - PAP display : Display on 1/2 of the 16 : 9 screen (Animation mode and still mode can be set.)
 - PIP display : 4 : 3 or 16 : 9 (Animation mode and still mode can be set.)
 - POP display : 4 : 3 (The following modes can be set ; 3 screen still mode, 2 screen still mode with only 1 screen animation mode, and strobe mode)
 - Multiple still images : Up to 24 still images can be displayed on one screen by overlapping.
 - Channel search : 9 screen search or 12 screen search (Still mode, strobe mode, and 1 screen animation mode can be set.) A half screen or a full screen can be displayed.
 - Variable setting for frame width and frame color
 - : For frame color, 8 bits are available to indicate brightness ; R-Y or B-Y can be set in high-order 4 bits. The setting without frame is possible.
- OSD function
- Built-in horizontal and vertical filters
- Micro controller interface : I²C bus
- +3.3V single power supply
- Package : QFP100-pin



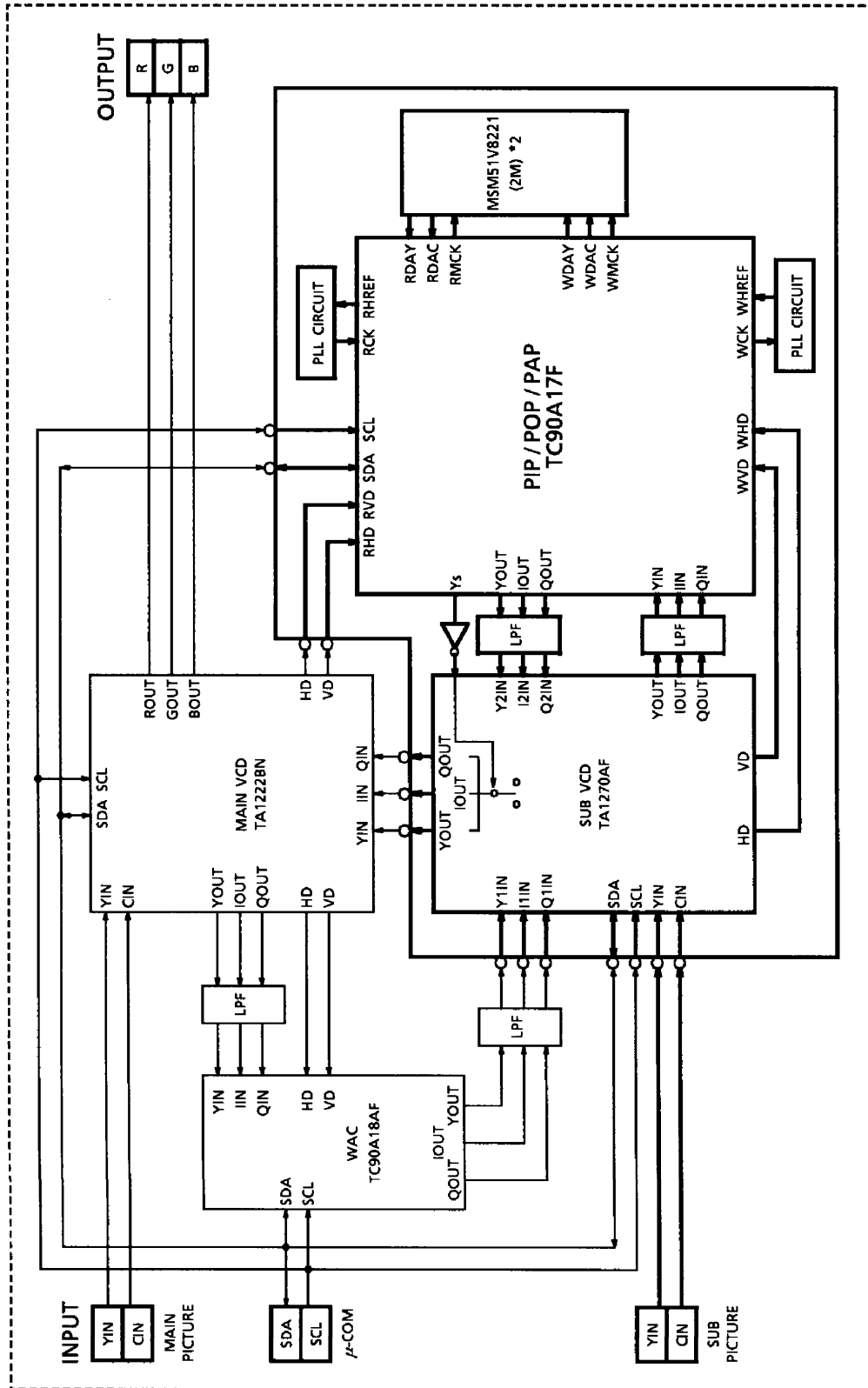
Weight : 1.6g (Typ.)



TERMINAL CONNECTION DIAGRAM



SYSTEM BLOCK DIAGRAM



TERMINAL FUNCTIONS (QFP 100pin)

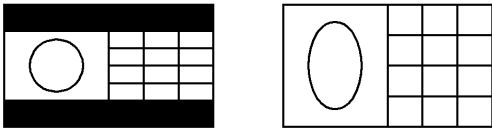
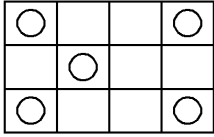
PIN No.	PIN NAME	I/O	FUNCTION	CONDITION
1	DAVDD	—	DAC V _{DD}	3.3V ± 0.3
2	VB1	I	DAC Bias	
3	DAVSS	—	DAC V _{SS}	
4	VB2	I	DAC Bias	
5	ADVSS	—	ADC V _{SS}	
6	VRTY	—	ADC Y signal reference input (TOP)	
7	VRBY	—	ADC Y signal reference input (BOTTOM)	
8	YIN	I	ADC Y signal input	
9	CLMPY	—	ADC Y signal clamp	
10	BIAS	—	ADC Bias	
11	ADVDD	—	ADC V _{DD}	
12	VRTC	—	ADC Chroma signal reference (TOP)	
13	VRBC	—	ADC Chroma signal reference (BOTTOM)	
14	IIN	I	ADC I signal or R-Y signal input	
15	CLMPC	—	Chroma signal clamp	
16	QIN	I	ADC Q signal or B-Y signal input	
17	ADVSS	—	ADC V _{SS}	
18	V _{DD}	—	Digital V _{DD}	3.3V ± 0.3
19	V _{SS}	—	Digital V _{SS}	
20	MOH	O	Memory related signal output enable	
21	WVD	I	Subscreen vertical synchronous signal output	(Bus can handle polarity)
22	WHD	I	Subscreen horizontal synchronous signal output	(Bus can handle polarity)
23	V _{DD}	—	Digital V _{DD}	3.3V ± 0.3
24	WCK	I	Subscreen system clock input	
25	WHREF	O	Subscreen PLL phase comparison output	
26	V _{SS}	—	Digital V _{SS}	
27	WMCK	O	Field memory write clock output	
28	V _{DD}	—	Digital V _{DD}	3.3V ± 0.3
29	WIE	O	Field memory input enable	
30	WENC	O	Field memory color write enable	2M mode : open
31	WENY	O	Field memory intensity write enable	(2M mode, for Y and C signals)
32	WRST	O	Field memory write reset	
33	WDAC7	O	C signal output (Field memory write signal / MSB)	2M mode : open
34	WDAC6	O	C signal output (Field memory write signal)	2M mode : open
35	WDAC5	O	C signal output (Field memory write signal)	2M mode : open
36	WDAC4	O	C signal output (Field memory write signal)	2M mode : open
37	WDAC3	O	C signal output (Field memory write signal)	2M mode : open
38	WDAC2	O	C signal output (Field memory write signal)	2M mode : open
39	WDAC1	O	C signal output (Field memory write signal)	2M mode : open
40	WDAC0	O	C signal output (Field memory write signal / LSB)	2M mode : open

PIN No.	PIN NAME	I/O	FUNCTION	CONDITION
41	V _{SS}	—	Digital V _{SS}	
42	WDAY7	O	Y signal output (Field memory write signal / MSB)	
43	WDAY6	O	Y signal output (Field memory write signal)	
44	WDAY5	O	Y signal output (Field memory write signal)	
45	WDAY4	O	Y signal output (Field memory write signal)	
46	WDAY3	O	Y signal output (Field memory write signal)	
47	WDAY2	O	Y signal output (Field memory write signal)	
48	WDAY1	O	Y signal output (Field memory write signal)	
49	WDAY0	O	Y signal output (Field memory write signal / LSB)	
50	V _{DD}	—	Digital V _{DD}	3.3V ± 0.3
51	RDAC0	I	C signal input (Field memory read signal / LSB)	2M mode : Fixed to L
52	RDAC1	I	C signal input (Field memory read signal)	2M mode : Fixed to L
53	RDAC2	I	C signal input (Field memory read signal)	2M mode : Fixed to L
54	RDAC3	I	C signal input (Field memory read signal)	2M mode : Fixed to L
55	RDAC4	I	C signal input (Field memory read signal)	2M mode : Fixed to L
56	RDAC5	I	C signal input (Field memory read signal)	2M mode : Fixed to L
57	RDAC6	I	C signal input (Field memory read signal)	2M mode : Fixed to L
58	RDAC7	I	C signal input (Field memory read signal / MSB)	2M mode : Fixed to L
59	RDAY0	I	Y signal input (Field memory read signal / LSB)	
60	RDAY1	I	Y signal input (Field memory read signal)	
61	RDAY2	I	Y signal input (Field memory read signal)	
62	RDAY3	I	Y signal input (Field memory read signal)	
63	RDAY4	I	Y signal input (Field memory read signal)	
64	RDAY5	I	Y signal input (Field memory read signal)	
65	RDAY6	I	Y signal input (Field memory read signal)	
66	RDAY7	I	Y signal input (Field memory read signal / MSB)	
67	REN	O	Field memory read enable	
68	RRST	O	Field memory read reset	
69	RMCK	O	Filed memory read clock output	
70	RMCKI	I	RMCK input (phase matching)	
71	YS	O	Main screen /subscreen switching timing signal output	
72	OSD1	O	OSD character signal output	
73	OSD2	O	OSD character color Ys signal output	
74	V _{SS}	—	Digital V _{SS}	
75	RHREF	O	Main screen PLL phase comparison output	
76	RCK	I	Main screen system clock input	
77	V _{DD}	—	Digital V _{DD}	3.3V ± 0.3
78	RHD	I	Main screen horizontal synchronous signal input	(Bus can handle polarity)
79	RVD	I	Main screen vertical synchronous signal input	(Bus can handle polarity)
80	SDMON	O	I ² C BUS acknowledgement output /standard checking signal for micron controller 5V	

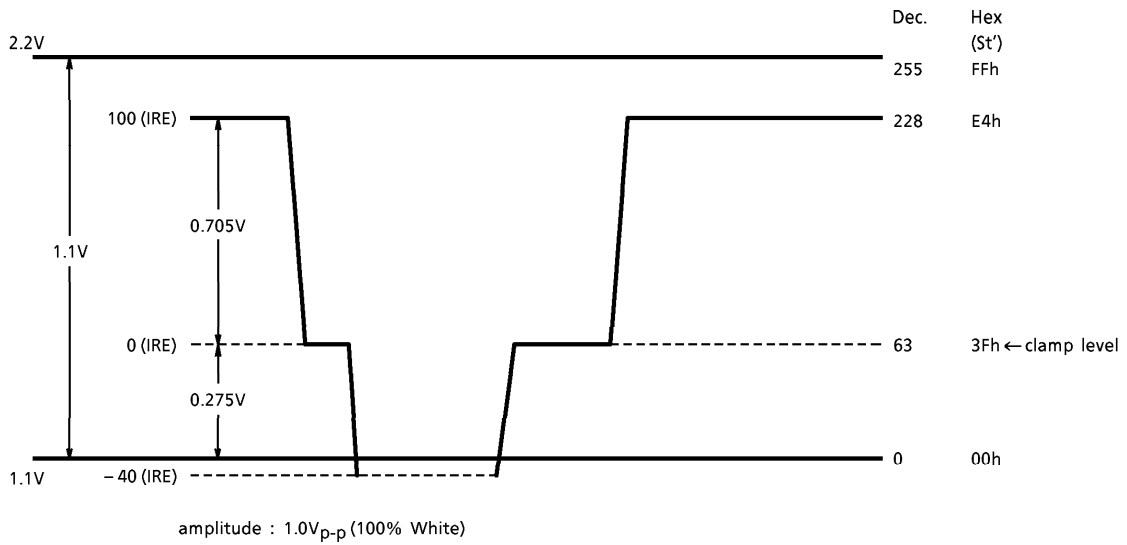
PIN No.	PIN NAME	I/O	FUNCTION	CONDITION
81	V _{DD}	—	Digital V _{DD}	3.3V ± 0.3
82	SCL	I	I ² C BUS serial clock input	
83	SDA	I/O	I ² C BUS serial data input/acknowledgement output	
84	V _{SS}	—	Digital V _{SS}	
85	IICNR	I	I ² C BUS noise removal circuit	(ON (H)/OFF (L))
86	TEST4	I	Fixed to L	
87	TEST3	I	Fixed to L	
88	TEST2	I	Fixed to L	
89	TEST1	I	Fixed to L	
90	TEST0	I	L : 4M mode, H : 2M mode	
91	TIMRST	I	Fixed to L	
92	PWRST	I	System reset input	L : Reset
93	V _{SS}	—	Digital V _{SS}	
94	NC1	—		
95	DAVSS	—	DAC V _{SS}	
96	YOUT	O	DAC Y signal output	
97	DAVDD	—	DAC V _{DD}	
98	IOUT	O	DAC I signal or R-Y signal output	
99	VREF	—	DAC Reference	Reference voltage : 2.3V
100	QOUT	O	DAC Q signal or B-Y signal output	

DISPLAY SCREEN FUNCTIONS

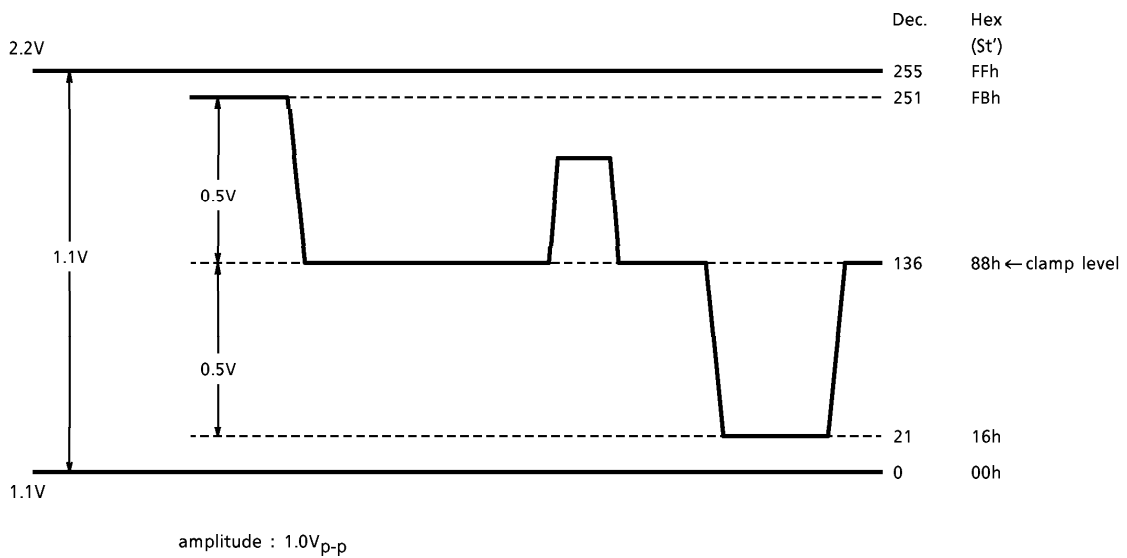
	FUNCTION	DISPLAY SCREEN IMAGE
1	<p>[PAP display screen (animation)] (using TC9097F)</p> <ul style="list-style-type: none"> ● 4 : 3 display Main screen-animation image / subscreen-animation image ● Full screen display Main screen-animation image / subscreen-animation image 	
2	<p>[PAP display screen (still image)]</p> <ul style="list-style-type: none"> ● 4 : 3 display Main screen-animation image / subscreen-still image ● Full screen display Main screen-animation image / subscreen-still image 	
3	<p>[9-screen search]</p> <ul style="list-style-type: none"> ● Main screen Animation image ● Subscreen Display of 9-screen channel-select still image and strobe display Only one screen displays an animation image and other screens display still images. 	
4	<p>[PIP display]</p> <ul style="list-style-type: none"> ● Main screen 16 : 9 animation image display ● Subscreen Display of animation image or still image 4 : 3 or 16 : 9 display 	
5	<p>[3-screen POP display]</p> <ul style="list-style-type: none"> ● Main screen 4 : 3 animation display ● Subscreen 4 : 3 animation display Display of still image, strobe, one animation image 	
6	<p>[Multiple still image display]</p> <ul style="list-style-type: none"> ● Main screen 16 : 9 animation image display ● Subscreen Display of one screen of still image Up to 24 screens can be fetched. Frame forward playback is possible. 	

	FUNCTION	DISPLAY SCREEN IMAGE
7	<p>[12-screen search]</p> <ul style="list-style-type: none"> ● Main screen animation ● Subscreen <p>Display of 12 screen channel-select still image and strobedisplay Only one animation screen is displayed and others are still images.</p>	
8	<p>[12-screen search using full screen]</p> <ul style="list-style-type: none"> ● Subscreen <p>Display of 12-screen channel-select still images and strobedisplay Only one animation image is displayed and others are still images.</p>	

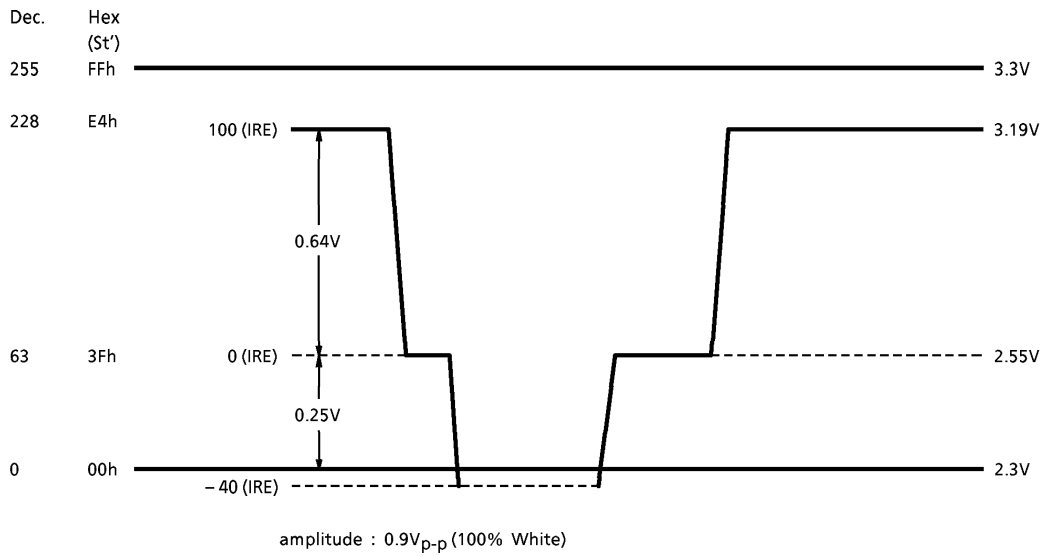
Standard signal input for ADC (luminance signal)



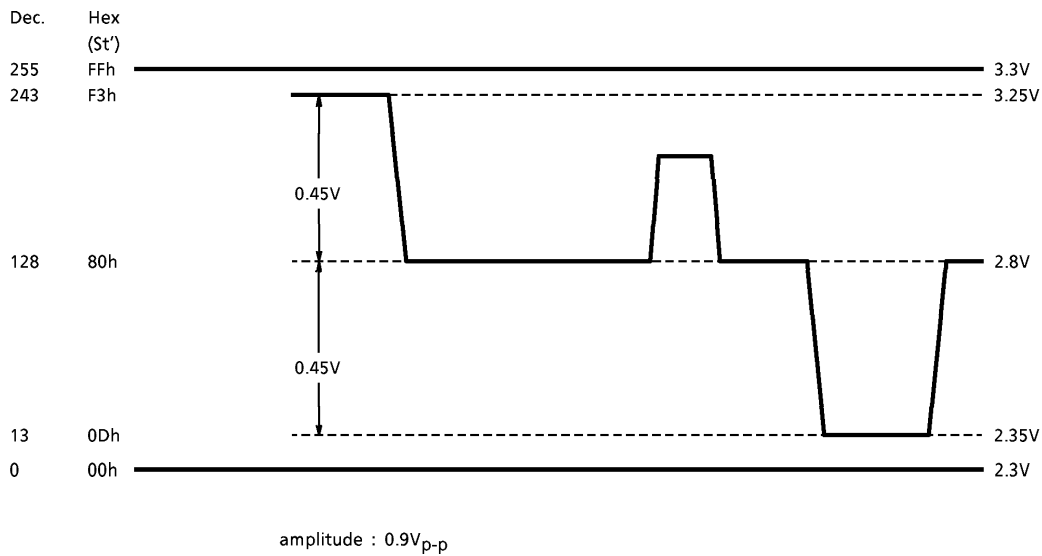
Standard signal input for ADC (color signal)



Standard signal output for DAC (luminance signal)



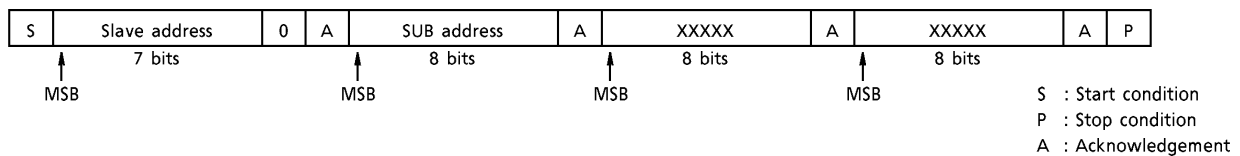
Standard signal output for DAC (color signal)



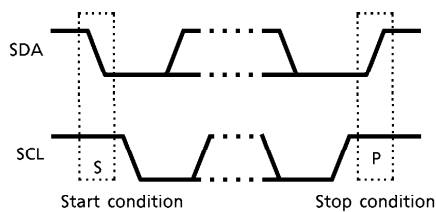
OUTLINE OF I²C BUS CONTROL FORMAT

The Bus control format of TC90A17F complies with the I²C bus control format of the PHILIPS Company.

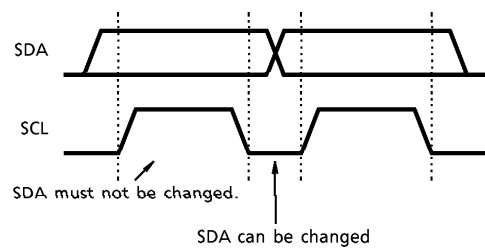
Data transfer format



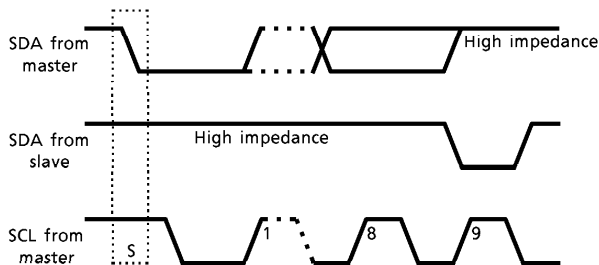
(1) Start condition and stop condition



(2) Bit transfer



(3) Acknowledgement



(4) Slave address

A6	A5	A4	A3	A2	A1	A0	R/W
0	0	1	0	0	1	1	0

Purchase of TOSHIBA I²C components conveys a license under the Philips I²C Patent Rights to use these components in an I²C system, provided that the system conforms to the I²C Standard Specification as defined by Philips.

I²C-BUS ADDRESS SETTING TABLE

Slave address 26H (00100110)

Subaddress 00H (00000000) to 3FH (00111111)

SUB-ADD-RESS	MSB 15	14	13	12	11	10	9	8	7	6	5	4	3	2	1	LSB 0
00	YCMF1	YCMF0	YCMN	CZHFT	Y2HFT	WINSEL		KMODE	YDL3	→2	→1	→0	KTC	KTB	KTA	
01	KD15	→14	→13	→12	→11	→10	→9	→8	→7	→6	→5	→4	→3	→2	→1	→0
02	KD31	→30	→29	→28	→27	→26	→25	→24	→23	→22	→21	→20	→19	→18	→17	→16
03	HYPH2	→1	→0	MIQPH1	→0				MOSY7	→6	→5	→4	→3	→2	→1	→0
04	MOSIF3	→2	→1	→0	MOSQF3	→2	→1	→0	MOSIB3	→2	→1	→0	MOSQB3	→2	→1	→0
05	HFR13	→2	→1	→0	HFRQ3	→2	→1	→0	HFRY7	→6	→5	→4	→3	→2	→1	→0
06	HWN13	→2	→1	→0	HWNQ3	→2	→1	→0	HWNY7	→6	→5	→4	→3	→2	→1	→0
07	RF1115						RF119	→8	→7	→6	→5	→4	→3	→2	→1	→0
08	RF1215						RF129	→8	→7	→6	→5	→4	→3	→2	→1	→0
09	RF1315						RF139	→8	→7	→6	→5	→4	→3	→2	→1	→0
0A	RF1415						RF149	→8	→7	→6	→5	→4	→3	→2	→1	→0
0B	RF1515						RF159	→8	→7	→6	→5	→4	→3	→2	→1	→0
0C	RF1615						RF169	→8	→7	→6	→5	→4	→3	→2	→1	→0
0D	RF1715						RF179	→8	→7	→6	→5	→4	→3	→2	→1	→0
0E	RF1815						RF189	→8	→7	→6	→5	→4	→3	→2	→1	→0
0F	RF1915						RF199	→8	→7	→6	→5	→4	→3	→2	→1	→0
10	RF1A15						RF1A9	→8	→7	→6	→5	→4	→3	→2	→1	→0
11	RHYSE11	→10	→9	→8	RHWIE11	→10	→9	→8	→7	→6	→5	→4	→3	→2	→1	→0
12	→7	→6	→5	→4	RHWIS11	→10	→9	→8	→7	→6	→5	→4	→3	→2	→1	→0
13	→3	→2	→1	→0			RVWIE9	→8	→7	→6	→5	→4	→3	→2	→1	→0
14	RHYSS11	→10	→9	→8			RVWIS9	→8	→7	→6	→5	→4	→3	→2	→1	→0
15	→7	→6	→5	→4	RHSIZ11	→10	→9	→8	→7	→6	→5	→4	→3	→2	→1	→0
16	→3	→2	→1	→0			RVSIZ9	→8	→7	→6	→5	→4	→3	→2	→1	→0
17					RRH11	→10	→9	→8	→7	→6	→5	→4	→3	→2	→1	→0
18							RRV9	→8	→7	→6	→5	→4	→3	→2	→1	→0
19							RWRN9	→8	→7	→6	→5	→4	→3	→2	→1	→0
1A							RWRA9	→8	→7	→6	→5	→4	→3	→2	→1	→0
1B	RHRFTH	RHRF1V	RHINV2		PRHP11	→10	→9	→8	→7	→6	→5	→4	→3	→2	→1	→0
1C							RVPG9	→8	→7	→6	→5	→4	→3	→2	→1	→0
1D	NTPAL		WCSEL1	WCSELO	PAPFIL	WHST10	→9	→8	→7	→6	→5	→4	→3	→2	→1	→0
1E	WHMOD3	→2	→1	→0	WCKINV	WHED10	→9	→8	→7	→6	→5	→4	→3	→2	→1	→0
1F	WEYINV	WEYDL2	→1	→0	IENINV	KWST10	→9	→8	→7	→6	→5	→4	→3	→2	→1	→0
20	WECINV	WECDL2	→1	→0		KWED10	→9	→8	→7	→6	→5	→4	→3	→2	→1	→0
21	WHRFTH	WHRF1V	WHINV2	MOH	WHRST11	→10	→9	→8	→7	→6	→5	→4	→3	→2	→1	→0
22	WKHYO	WHINV1	RVINV	WS263	HYJ3	→2	→1	WFCMP8	→7	→6	→5	→4	→3	→2	→1	→0
23	RKHYO	RHINV1	RVINV	RS263	HIJ3	→2	→1	RFCMP8	→7	→6	→5	→4	→3	→2	→1	→0
24	VFB47	→46	→45	→44	VFB43	→42	→41	→40	VFB39	→38	→37	→36	VFB35	→34	→33	→32
25	VFB31	→30	→29	→28	VFB27	→26	→25	→24	VFB23	→22	→21	→20	VFB19	→18	→17	→16
26	VFB15	→14	→13	→12	VFB11	→10	→9	→8	VFB7	→6	→5	→4	VFB3	→2	→1	→0
27	FMINT	FMON	PIP		WXMCP2	→1	→0	WVST8	→7	→6	→5	→4	→3	→2	→1	→0
28	WVMOD3	→2	→1	→0	WSYILL	WXMCP4	→3	WVED8	→7	→6	→5	→4	→3	→2	→1	→0
29					VFTHR	WXYFRM	MULT1	→0	AUTIIC	WXCP6	→5	→4	→3	→2	→1	→0
2A				W9HB2	→1	→0	W9IE9	→8	→7	→6	→5	→4	→3	→2	→1	→0
2B	WINT3	→2	→1	→0				W9HS8	→7	→6	→5	→4	→3	→2	→1	→0
2C				W9M4	→3	→2	→1	→0	W9V57	→6	→5	→4	→3	→2	→1	→0
2D																
2E				RREINV	RRSTINV	RCKINV	RREPH1	→0	RMUTE	VSVOFF		PAPSW	FRF1	ROEALT	RFISW	RFIALT
2F									RF10_7	→6	→5	→4	→3	→2	→1	→0
30			OSDYA1	→0	OSDYB1	→0	OSDXA1	→0	OSDXB1	→0	OSDXC1	→0	OSDXD1	→0	OSDXE1	→0
31	OSDDX7	→6	→5	→4	→3	→2	→1	→0	OSDX7	→6	→5	→4	→3	→2	→1	→0
32	OSDDY7	→6	→5	→4	→3	→2	→1	→0	OSDY7	→6	→5	→4	→3	→2	→1	→0
33																
34				HYJMON			LMRST9	→8	→7	→6	→5	→4	→3	→2	→1	→0
35	CLPST7	→6	→5	→4	→3	→2	→1	→0	CLPED7	→6	→5	→4	→3	→2	→1	→0
36~3C																
3F										OKDSE	OSDSE	OLSEL	ON1BYTE	OWRSKC	OCRW	OKRW

DESCRIPTION OF THE CONTENTS OF WRITE I²C-BUS DATA 1

SUB-ADDRESS	DISPLAY NAME	FUNCTION
00H	YCMF1	Y/C MIX signal (M/N output) polarity switching (L : Inversion, H : Non-inversion)
	YCMF0	Y/C MIX signal (pre-multiplier) polarity switching (L : Inversion, H : Non-inversion)
	YCMN	Switching to fixed to Y or Y/C MIX (L : Fixed to Y, H : Y/C MIX)
	C2HFT	Binary interpolation circuit of color signal (I/Q) (L : OFF, H : ON)
	Y2HFT	Binary interpolation circuit of brightness signal (Y) (L : OFF, H : ON) (Horizontal thinning mode : 3/8 [5H], 2/5 [6H] = H)
	W1NSEL	Switching of thinning processing circuit (L : M/N thinning, H : 1/N thinning)
	KMODE	Horizontal filter coefficient mode switching (I : L/N processing, H : M/N processing)
	YDL3-0 KTC-A	Brightness signal (Y) delay adjustment (0 to 10CK, 600fh units) Filter coefficient count setting (0H = 1, 7H = 8)
01H	KD3-0	Horizontal filter 1st coefficient
	KD7-4	Horizontal filter 2nd coefficient
	KD11-8	Horizontal filter 3rd coefficient
	KD15-12	Horizontal filter 4th coefficient
02H	KD19-16	Horizontal filter 5th coefficient
	KD23-20	Horizontal filter 6th coefficient
	KD27-24	Horizontal filter 7th coefficient
	KD31-28	Horizontal filter 8th coefficient
1DH	NTPAL	NTSC/PAL (L : NTSC, H : PAL)
	WCSEL1, 0	I/Q inversion (1 = For SEL block, (0 = ADIQ for multiplexer)
	PAPFIL	PAP/filter processing switching (L : PAP, H : Filter processing)
	WHST10-0	Specification of Write Enable Horizontal Gate Starting position (setting an odd number value only)
1EH	WHMOD3-0	Setting thinning rate 0H = 1/16, 1H = 1/8, 2H = 1/5, 3H = 1/4, 4H = 1/3, 5H = 3/8, 6H = 2/5, 7H = 1/2, 8H = 3/5, 9H = 5/8, AH = 2/3, BH = 3/4, CH = 4/5, DH = 7/8, EH = 15/16, FH = 16/16
	WCKINV WHED10-0	Inversion of field memory Write clock polarity (H : Sets inversion) Specification of an end position of Write Enable Horizontal Gate (Set an odd value only)

DESCRIPTION OF THE CONTENTS OF WRITE I²C-BUS DATA 2

SUB-ADDRESS	DISPLAY NAME	FUNCTION
1FH	WEYINV	Polarity inversion of brightness field Memory Writer Enable signal (WENY) (L : Sets non-inversion)
	WEYDL2-0	WENY signal delay adjustment (Unit : 1200fh) 0H = +0, 1H = +1, 2H = +2, 3H = +3, 4H = +4, 5H = +6, 6H = -1, 7H = -2 (Set 0H = +0)
	IENINV	Polarity inversion of field memory Input Enable signal (L : Non-inversion, H : Inversion) (Set according to the memory specification (fixed after determination))
	KWST10-0	Specification of HFIL operation gate (WKWHY) start position (set an odd number only)
20H	WECINV	Polarity inversion of color field memory Write Enable signal (WENC) (L : Sets non-inversion)
	WECDL2-0	WENY signal delay adjustment (unit : W2CK) 0H = +0, 1H = +1, 2H = +2, 3H = +3, 4H = +4, 5H = +6, 6H = -1, 7H = -2
	KWED10-0	Specification of end position of HFIL operation gate (WKWHT) (Set an odd value only)
21H	WHRFTH	PLL control signal (WHREF) forced output (H : Forced output)
	WHRFIV	WHREF polarity inversion (L : Non-inversion, H : Inversion)
	WHINV2	HD polarity inversion of WHREF output control (L : Non-inversion, H : Inversion)
	MOH	Field memory occupation signal (L : Other IC, H : PAP IC)
22H	WHRST11-0	Write horizontal phase reference
	WKHYO	Write forced standard checking (L : Standard / non-standard, H : Forced standard)
	WHINV1	Subscreen-horizontal synchronous signal (WHD) polarity inversion (L : Non-inversion, H : Inversion)
	WVINV	Subscreen-vertical synchronous signal (WVD) polarity inversion (L : Non-inversion, H : Inversion)
	WS263	Inversion of Write field checking (L : 263, H : 262)
	HYJ3-1	Non-standard checking circuit setting value
WFCMP8-0	Write forced non-standard setting value	

DESCRIPTION OF THE CONTENTS OF WRITE I²C-BUS DATA 3

SUB-ADDRESS	DISPLAY NAME	FUNCTION
23H	RKHYO	Read forced standard checking (L : Standard / non-standard, H : Forced standard)
	RHINV1	Main screen-horizontal synchronous signal (RHD) polarity inversion (L : Non-inversion, H : Inversion)
	RVINV	Main screen-vertical synchronous signal (RVD) polarity inversion (L : Non-inversion, H : Inversion)
	RS263	Inversion of Read field checking (L : 263, H : 262)
	HIJ3-1	Non-standard checking circuit setting value
	RFCMP8-0	Read forced non-standard setting value
24H	VFB47-44	Vertical filter 1st coefficient A
	VFB43-40	Vertical filter 2nd coefficient A
	VFB39-36	Vertical filter 3rd coefficient A
	VFB35-32	Vertical filter 4th coefficient A
25H	VFB31-32	Vertical filter 5th coefficient A
	VFB27-24	Vertical filter 6th coefficient A
	VFB23-20	Vertical filter 7th coefficient A
	VFB19-16	Vertical filter 8th coefficient A
26H	VFB15-12	Vertical filter 9th coefficient A
	VFB11-08	Vertical filter 10th coefficient A
	VFB07-04	Vertical filter 11th coefficient A / 1st coefficient B (VFB 7, 6), 2nd coefficient B (VFB 5, 4)
	VFB03-00	Vertical filter 3rd coefficient B (VFB 3, 2), 4th coefficient B (VFB 1, 0)
27H	FMINT	Field memory initialization ON/OFF (for control by micro controller only) (H : ON)
	FMON	Fixed to H
	PIP	Handles PIP display (frame display) (H : PIP)
	WXMCP2-0	Setting horizontal block cycle of strobe display mode (0H : 1 to 7H : 8)
	WVST8-0	Specification of start position of Write Enable Vertical Gate
28H	WVMOD3-0	Vertical thinning rate setting 0H = 1/16, 1H = 1/8, 2H = 1/5, 3H = 1/4, 4H = 1/3, 5H = 3/8, 6H = 2/5, 7H = 1/2, 8H = 3/5, 9H = 5/8, AH = 2/3, BH = 3/4, CH = 4/5, DH = 7/8, EH = 15/16, FH = 16/16
	WSTILL	Field memory Write Halt (still regeneration) (H : Write Halt) (Changing parameters after halt operation)
	WXMCP4, 3	Setting vertical block cycle setting of a strobe display mode (0H : 1 to 3H : 4)
	WVED8-0	Specification of end position of Write Enable Vertical Gate

DESCRIPTION OF THE CONTENTS OF WRITE I²C-BUS DATA 4

SUB-ADDRESS	DISPLAY NAME	FUNCTION
29H	VFTHR	Vertical filter ON/OFF (L : ON, H : OFF)
	WKYFRM	Write forced frame processing (L : Normal, H : Forced frame)
	MULT1, 0	Memory control signal mode switching (00H : PAP, 11H : Multiple search, strobe)
	AUTIIC	Switching split display Write position specification mode (L : Bus setting, H : Automatic setting)
	WXCP6-0	Specification of memory write interval (2, 4, 6, 8, to 512 fields)
2AH	W9HB2-0	Split screen control-setting the number of horizontal blocks (number of horizontal blocks-1)
	W9IE9-0	Split screen control-setting horizontal input enable period Number of block picture elements × (number of horizontal blocks-1))
2BH	WINT3-0	Setting field memory initialization level (SEL block)
	W9HS8-0	Split screen control-setting the number of block picture elements-3
2CH	W9M4-3	Split screen control-specification of Write position (vertical, 0→3 : Top→bottom) (AUTIIC = L)
	W9M2-0	Split screen control-specification of Write position (horizontal, 0→7 : Left→right) (AUTIIC = L)
	W9VS7-0	Split screen control-setting the number of block lines (number of block lines-1) [Note : Subaddress 2CH is for transmission only in multiple search Write processing]
34H	HYJMON	Fixed to L
	LMRST9-0	Rest phase of vertical filter line memory
35H	CLPST7-0	Specification of clamp pulse start position
	CLPED7-0	Specification of clamp pulse stop position

DESCRIPTION OF THE CONTENTS OF READ I²C-BUS DATA 5

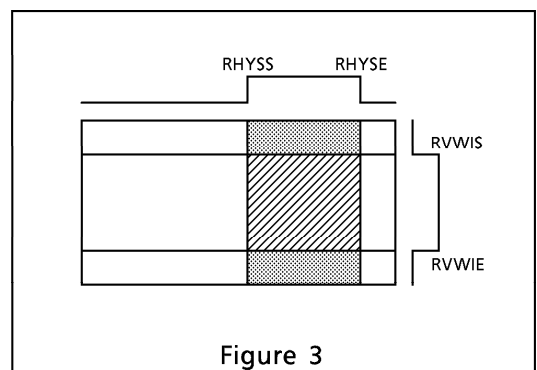
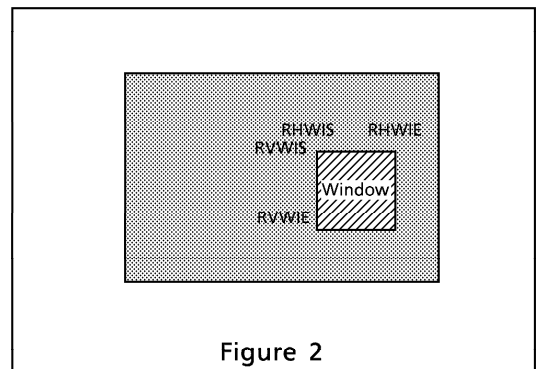
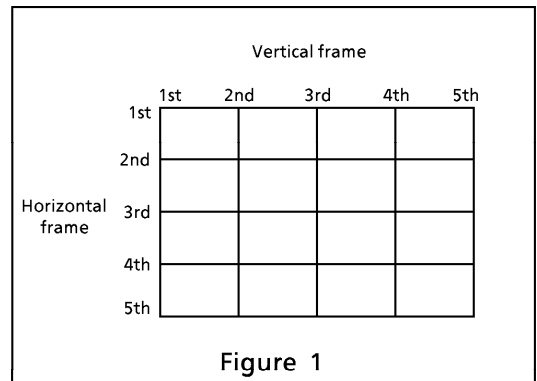
SUB-ADDRESS	DISPLAY NAME	FUNCTION
03H	HYPH2-0 HIQPH10	Read Y signal phase adjustment Read I and QY signal phase adjustment
05H	HFR13-0 HFRQ3-0 HFRY7-0	Frame I signal level Frame Q signal level Frame Y signal level
06H	HWN13-0 HWNQ3-0 HWN7-0	I signal clamp level Q signal clamp level Y signal clamp level
07H	RF1115 RF11 (9-0)	1st horizontal frame ON/OFF (0 : ON) 1st horizontal frame vertical phase
08H	RF1215 RF12 (9-0)	2nd horizontal frame ON/OFF (0 : ON) 2nd horizontal frame vertical phase
09H	RF1315 RF13 (9-0)	3rd horizontal frame ON/OFF (0 : ON) 3rd horizontal frame vertical phase
0AH	RF1415 RF14 (9-0)	4th horizontal frame ON/OFF (0 : ON) 4th horizontal frame vertical phase
0BH	RF1515 RF15 (9-0)	5th horizontal frame ON/OFF (0 : ON) 5th horizontal frame vertical phase
0CH	RF1615 RF16 (9-0)	1st vertical frame ON/OFF (0 : ON) 1st vertical frame horizontal phase
0DH	RF1715 RF17 (9-0)	2nd vertical frame ON/OFF (0 : ON) 2nd vertical frame horizontal phase
0EH	RF1815 RF18 (9-0)	3rd vertical frame ON/OFF (0 : ON) 3rd vertical frame horizontal phase
0FH	RF1915 RF19 (9-0)	4th vertical frame ON/OFF (0 : ON) 4th vertical frame horizontal phase
10H	RF1A15 RF1A (9-0)	5th vertical frame ON/OFF (0 : ON) 5th vertical frame horizontal phase
11H	RHYSE11-8 RHWIE11-0	YS signal horizontal end phase (MSB) Clamp window horizontal start phase
12H	RHYSE7-4 RHWIS11-0	YS signal horizontal end phase Clamp window horizontal start phase
13H	RHYSE3-0 RVWIE9-0	YS signal horizontal end phase (LSB) Clamp window vertical end phase
14H	RHYSS11-8 RVWIS9-0	YS signal horizontal start phase (MSB) Clamp window vertical start phase
15H	RHYSS07-4 RHSIZ11-0	YS signal horizontal start phase Horizontal display size (number of horizontal picture elements-3)
16H	RHYSS03-0 RVSIZ9-0	YS signal horizontal start phase (LSB) Vertical display size (number of lines)

DESCRIPTION OF THE CONTENTS OF READ I²C-BUS DATA 6

SUB-ADDRESS	DISPLAY NAME	FUNCTION
17H	RRF11-0	Horizontal display start phase
18H	RRV9-0	Vertical display start phase
19H	RWRN9-0	Field memory Write/Read phase setting value 1
1AH	RWRA9-0	Field memory Write/Read phase setting value 2
1BH	RHRFTH	RHREF output control forced output mode setting (L : Normal, H : Forced output)
	RHRFIV	RHREF output polarity inversion (L : Non-inversion, H : Inversion)
	RHINV2	RHREF output control HD polarity inversion (L : Non-inversion, H : Inversion)
	PRHP11-0	Read processing, horizontal reference (PLL counter value decoding)
1CH	RVPG9-0	Read processing, vertical reference (input VD : vertical counter, reading initial value)
2EH	RREINV	Polarity inversion of field memory Read Enable (RRE) signal (L : Non-inversion, H : Inversion)
	RRSTINV	Polarity inversion of field memory Read Reset (RRST) signal (L : Non-inversion, H : Inversion)
	RCKINV	Polarity inversion of field memory Read Clock (RCK) signal (L : Non-inversion, H : Inversion)
	RREPH1-0	RRE signal phase adjustment
	RMUTE	Read, Image muting (L : Without muting, H : Muting)
	YSVOFF	YS signal vertical ON/OFF (L : ON, H : OFF)
	PAPSW	ON in PAP mode (L : ON, H : OFF)
	FRFI	Forced single field display ON/OFF (L : OFF, H : ON)
	ROEALT	ODD/EVNE inversion (L : Normal, H : Inversion)
RFISW	Fixed to H	
RFIALT	Fixed to L	
2FH	RF10 (7-4)	Horizontal frame thickness adjustment (thick→fine, fine→thick)
	RF10 (3-0)	Vertical frame thickness adjustment (thick→fine, fine→thick)

DESCRIPTION OF THE CONTENTS OF READ I²C-BUS DATA 6
(contents supplement)

1. Frame display (see Figure 1)
 - (1) Up to five of each vertical and horizontal frames can be displayed in any positions.
 - (2) Any vertical and horizontal frames can be erased.
 - (3) Y signals can be set in 8-bit precision and I and Q signals can be set in 4-bit precision.
 - (4) The frame thickness can be set in 4-bit precision.
 - (5) Use the 1st and 5th vertical and horizontal frames for one-screen display such as PIP.
2. Display of a clamp window (see Figures 2 and 3)
 - (1) A clamp window can be set in any position with any size.
 - (2) Clamp level variable range of the shaded section
 Y signal : 0H to FFH
 I and Q signals: 78H to 87H
3. YS signal (See Figure 3)
 - (1) Set horizontal timing of YS signals according to the horizontal start position RHYSS and horizontal end position RHYSE.
 - (2) For vertical timing, the vertical start position RVWIS and vertical end position RVWIE of the clamp window are also used.
 - (3) When YS signal vertical ON/OFF (YSVOFF) is set to OFF, the is also set to the YS signal level.
4. Read phase adjustment
 4M mode
 The Y signal comprises 8 steps and the C signal comprises 4 steps in 26ns units.
5. PAPSW signal
 To set double-screen display (PAP), set the signal to 0.
6. FRFI signal
 To set forced single display, set the signal to 1.



DESCRIPTION OF THE CONTENTS OF READ I²C-BUS DATA 7 (OSD related data 1)

SUB-ADDRESS	DISPLAY NAME	FUNCTION
03H	MOSY7-0	Brightness level setting of OSD display character
04H	MOSIF3-0	Setting I level of OSD display character color 1 (OCOLR = 0)
	MOSQF3-0	Setting Q level of OSD display character color 1 (OCOLR = 0)
	MOSIB3-0	Setting I level of OSD display character color 2 (OCOLR = 1)
	MOSQB3-0	Setting Q level of OSD display character color 2 (OCOLR = 1)
30H	OSDYA1-0	Screen start position micro adjustment A (vertical)
	OSDYB1-0	Screen start position micro adjustment B (vertical)
	OSDXA1-0	Screen start position micro adjustment A (horizontal)
	OSDXB1-0	Screen start position micro adjustment B (horizontal)
	OSDXC1-0	Screen start position micro adjustment C (horizontal)
	OSDXD1-0	Screen start position micro adjustment D (horizontal)
	OSDXE1-0	Screen start position micro adjustment E (horizontal)
31H	OSDDX7-0	Adjustment of width for OSD display (horizontal)
	OSDX7-0	Screen display start position (horizontal)
32H	OSDDY7-0	Adjustment of width for OSD display (vertical)
	OSDY7-0	Screen display start position (vertical)
3FH	OKDSE	Character shadow selection (L : 1 dot, H : 2 dots)
	OSDSE	Character display (L : OFF, H : ON)
	OLSEL	Screen display selection (L : Display mode 1, H : Display mode 2)*
	ON1BYTE	1-byte Write selection (L : Normal, H : 1-byte Write)
	OWRSKC	Write RAM selection (L : Character, H : Code)
	OCRW	Code RAM Write ON/OFF (L : ON, H : OFF)
	OKRW	Character RAM Write ON/OFF (L : ON, H : OFF)

* : See Page 22

DESCRIPTION OF THE CONTENTS OF READ I²C-BUS DATA 8 (OSC related data 2)

1. Display mode 1

00	01	02	03	04	05	06	07	08	09	0A	0B	0C	0D	0E	0F	10	11	12	13	14	15	16	17	18	19	1A	1B	1C	1D
1					2					3					4					5					6				
20	21	22	23	24	25	26	27	28	29	2A	2B	2C	2D	2E	2F	30	31	32	33	34	35	36	37	38	39	3A	3B	3C	3D
7					8					9					10					11					12				
40	41	42	43	44	45	46	47	48	49	4A	4B	4C	4D	4E	4F	50	51	52	53	54	55	56	57	58	59	5A	5B	5C	5D
13					14					15					16					17					18				

(Note 1) OSD display possible up to a vertical maximum 3 blocks × horizontal maximum 6 blocks.

(Note 2) The digits in one screen indicate the code RAM address.

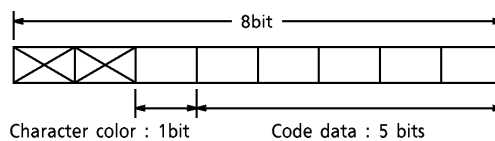
2. Display mode 2

00	01	02	03	04	05	06	07	08	09	0A	0B	0C	0D	0E	0F	10	11	12	13
1					2					3					4				
18	19	1A	1B	1C	1D	1E	1F	20	21	22	23	24	25	26	27	28	29	2A	2B
5					6					7					8				
30	31	32	33	34	35	36	37	38	39	3A	3B	3C	3D	3E	3F	40	41	42	43
9					10					11					12				
48	49	4A	4B	4C	4D	4E	4F	50	51	52	53	54	55	56	57	58	59	5A	5B
13					14					15					16				

(Note 1) OSD display possible up to a vertical maximum 4 blocks × horizontal maximum 4 blocks.

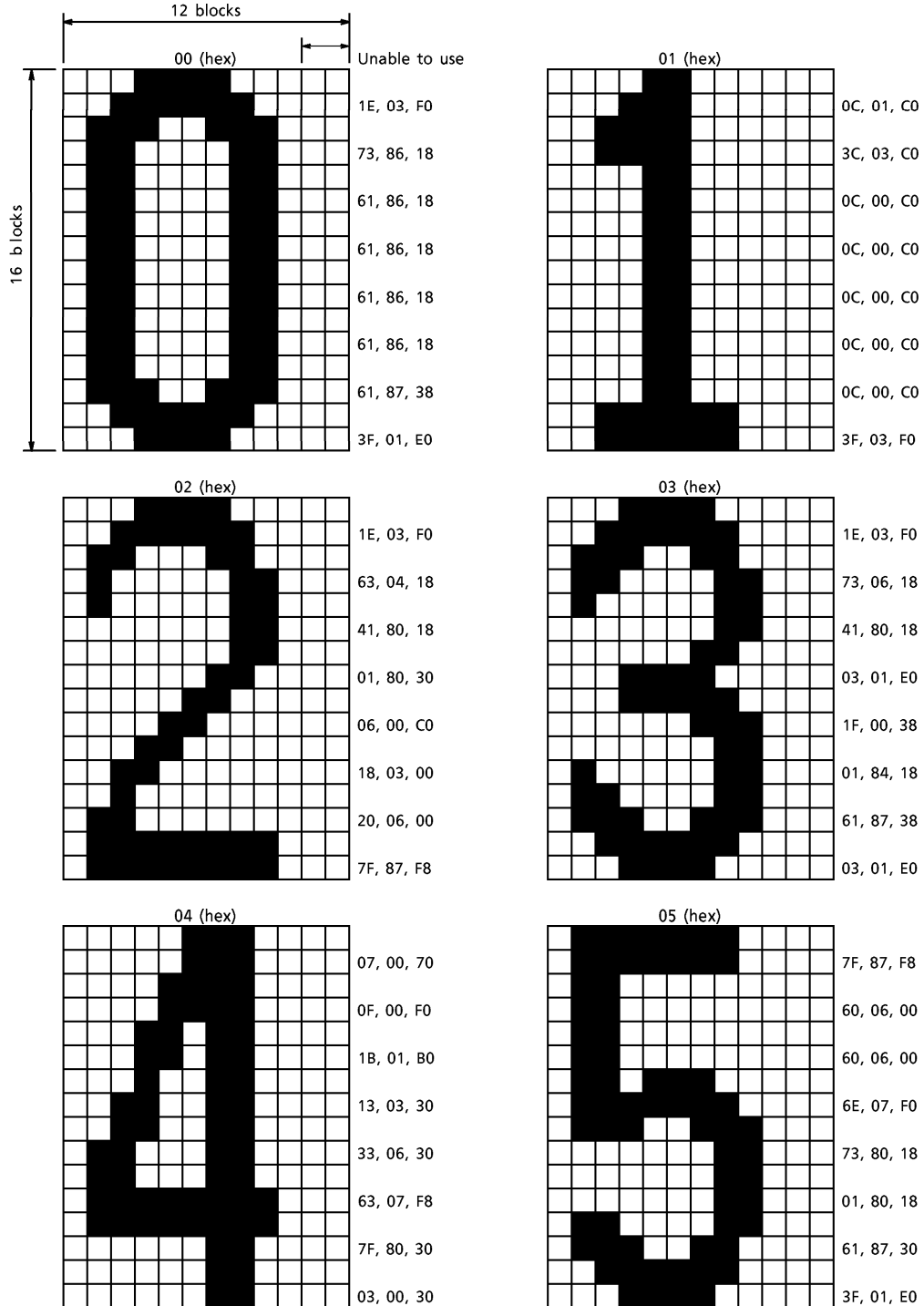
(Note 2) The digits in one screen indicate the code RAM address.

3. Example of code data



DESCRIPTION OF THE CONTENTS OF READ I²C-BUS DATA 8 (OSC related data 3)

Example of character data creation

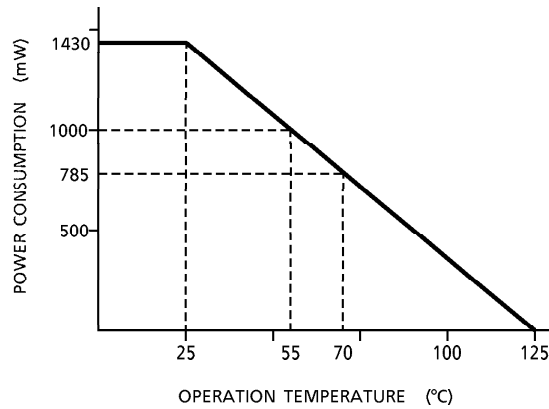


MAXIMUM RATINGS ($V_{SS} = 0V$, $T_a = 25^\circ C$)

CHARACTERISTIC	SYMBOL	RATING	UNIT
Power Supply Voltage	V_{SS}, V_{DD}	$V_{SS} \sim V_{SS} + 4.0$	V
Input Voltage	V_{IN}	$-0.3 \sim V_{DD} + 0.3$	V
Power Dissipation	P_D (Note)	1430	mW
Storage Temperature	T_{stg}	$-55 \sim 125$	$^\circ C$

(Note) When using the controller under the temperature $T_a = 25^\circ C$ or higher, reduce the acceptable loss by 14.3mW per $1^\circ C$.

POWER CONSUMPTION TEMPERATURE DROP CURVE (when substrate is installed)



RECOMMENDED OPERATING RANGE ($V_{SS} = 0V$)

CHARACTERISTIC	SYMBOL	TEST CONDITION	MIN.	TYP.	MAX.	UNIT
Power Supply Voltage	V_{DD}	—	3.0	3.3	3.6	V
Input Voltage	V_{IN}	—	0	—	V_{DD}	V
Operation Temperature	T_{opr}	—	-20	—	70	$^\circ C$

ELECTRICAL CHARACTERISTICS

DC CHARACTERISTICS

(Operation conditions : $V_{DD} = 3.0 \sim 3.6V$, $V_{IN} = 0 \sim V_{DD}$, $T_a = -20 \sim 70^\circ C$, $V_{SS} = 0V$)

CHARACTERISTIC	SYMBOL	TEST CIRCUIT	TEST CONDITION	MIN.	TYP.	MAX.	UNIT	APPLICABLE TERMINALS
Current Consumption	I_{DD1}	—	NTSC			180	mA	
High Level Input Voltage	CMOS Input	V_{IH}	—				V	(*1)
	Shumitt Trigger Input							
Low Level Input Voltage	CMOS Input	V_{IL}	—				V	(*1)
	Shumitt Trigger Input							
Input Current	High Level	I_{IH}	—	$V_{IN} = V_{DD}$	- 10	10	μA	(*3)
	Low Level	I_{IL}		$V_{IN} = V_{SS}$	- 10	10		
Output Voltage	High Level	$VOH1$	—		2.4		V	(*4)
		$VOH2$						
	Low Level	$VOL1$				0.4		(*4)
		$VOL2$						
Shumitt Trigger And Hysteresis Voltage	V_H	—			0.5		(*2)	

- (*1) WCK, RDAC7~0, RDAY7~0, RMCKI, RCK, SDA, IICNR, TEST3~0, TIMRST, PWRST
- (*2) WVD, WHD, RHD, RVD, SCL
- (*3) WVD, WHD, WCK, RDAC7~0, RDAY7~0, RMCKI, RCK, RHD, RVD, SCL, SDA, IICNR, TEST3~0, TIMRST, PWRST
- (*4) MOH, WHREF, WIE, WENC, WENY, WRST, WDAC7~0, WDAY7~0, REN, RRST, YS, OSD1, OSD2, RHREF, SDMON, SDA
- (*5) WMCK, RMCK

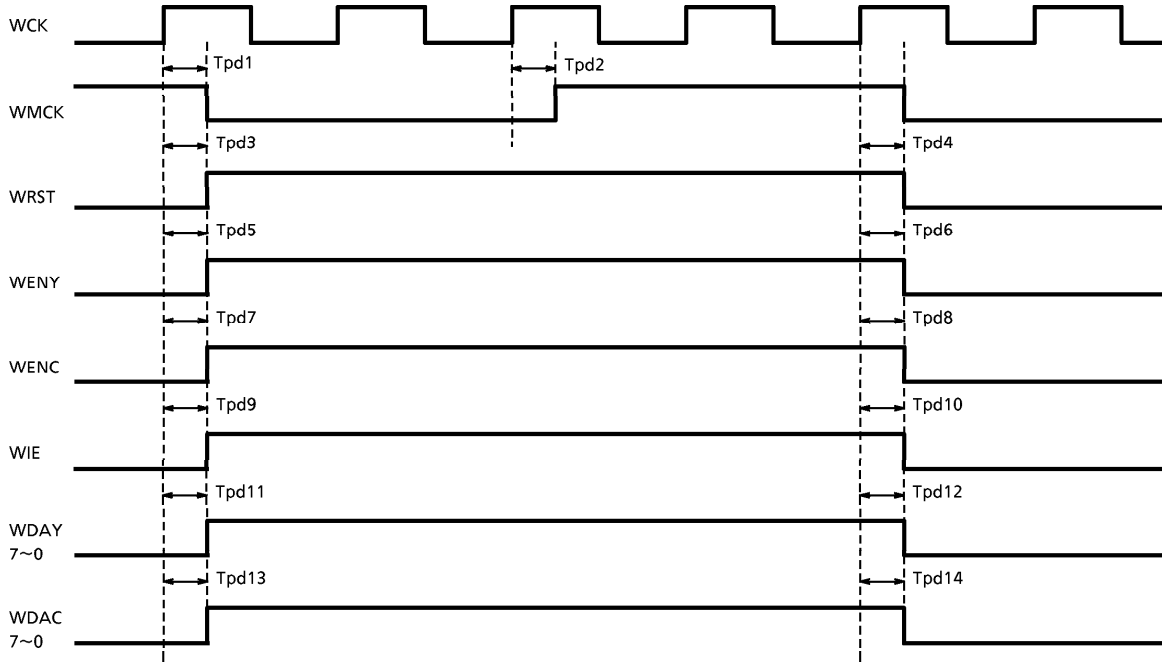
AC CHARACTERISTICS

(Operation conditions : $V_{DD} = 3.0 \sim 3.6V$, $V_{IN} = 0 \sim V_{DD}$, $T_a = -20 \sim 70^\circ C$, $V_{SS} = 0V$)

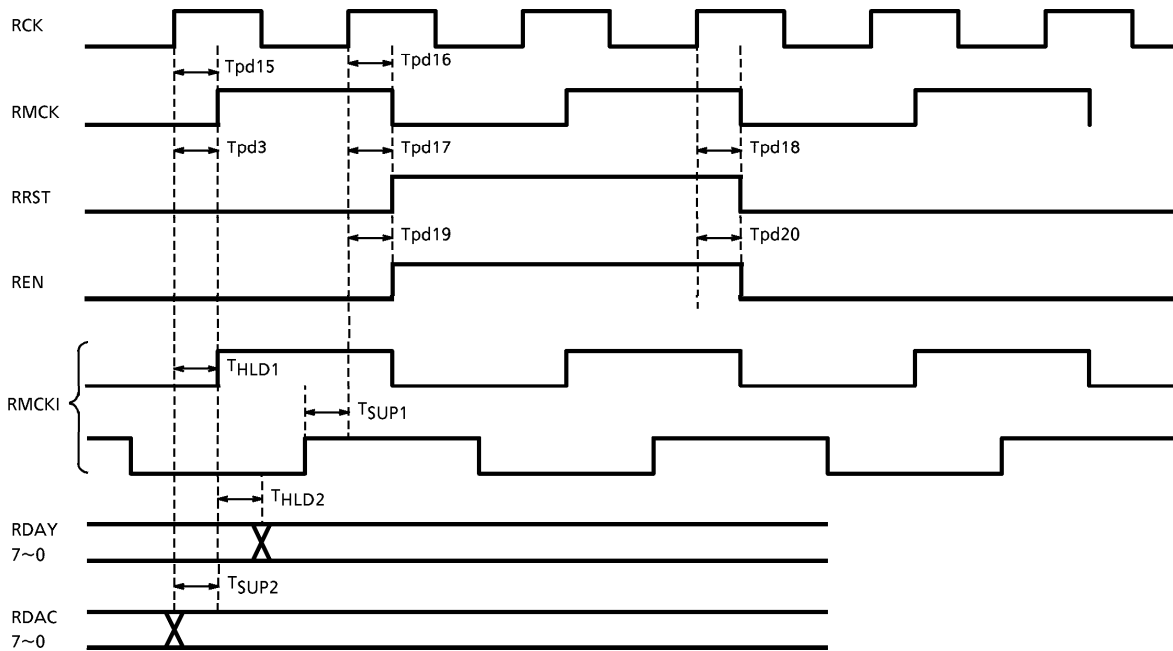
CHARACTERISTIC	SYMBOL	TEST CIR-CUIT	TEST CONDITION	MIN.	TYP.	MAX.	UNIT	REMARKS
Operation Frequency Condition		—	NTSC mode		20		MHz	
Input Setup Time	TSUP1	—	Operation frequency MHz	5	—	—	ns	
	TSUP2			5	—	—		
Input Hold Time	THLD1	—	Operation frequency MHz	3	—	—	ns	
	THLD2			5	—	—		
Output Propagation Delay Time	Tpd1	—		5	—	14	ns	
	Tpd2			4	—	11		
	Tpd3			6	—	19		
	Tpd4			6	—	15		
	Tpd5			6	—	19		
	Tpd6			6	—	15		
	Tpd7			6	—	19		
	Tpd8			6	—	15		
	Tpd9			7	—	21		
	Tpd10			6	—	16		
	Tpd11			6	—	18		
	Tpd12			6	—	15		
	Tpd13			6	—	18		
	Tpd14			5	—	15		
	Tpd15			4	—	13		
	Tpd16			4	—	10		
	Tpd17			6	—	18		
	Tpd18			5	—	14		
	Tpd19			6	—	18		
	Tpd20			6	—	13		

SETUP-HOLD TIME & OUTPUT DELAY TIME

WRITE



READ



ADC CHARACTERISTICS

(Operation conditions : $V_{DD} = 3.3V$, $T_a = -20 \sim 70^\circ C$, $V_{SS} = 0V$)

CHARACTERISTIC	SYMBOL	TEST CIR-CUIT	TEST CONDITION	MIN.	TYP.	MAX.	UNIT
Non-linear Error	ILE	—				± 1	LSB
Differential Non-linear Error	DLE	—				± 0.5	LSB
Analog Input Voltage	FULL SCA	VIFS	—		2.2		V
	ZERO SCA	VIZS	—		1.1		

CLAMPING AND MULTIPLEXER

(Operation conditions : $V_{DD} = 3.3V$, $T_a = -20 \sim 70^\circ C$, $V_{SS} = 0V$)

CHARACTERISTIC	SYMBOL	TEST CIR-CUIT	TEST CONDITION	MIN.	TYP.	MAX.	UNIT
Clamping Y		—			63		LSB
Clamping C		—			136		LSB
Multiplexer		—			5		MHz

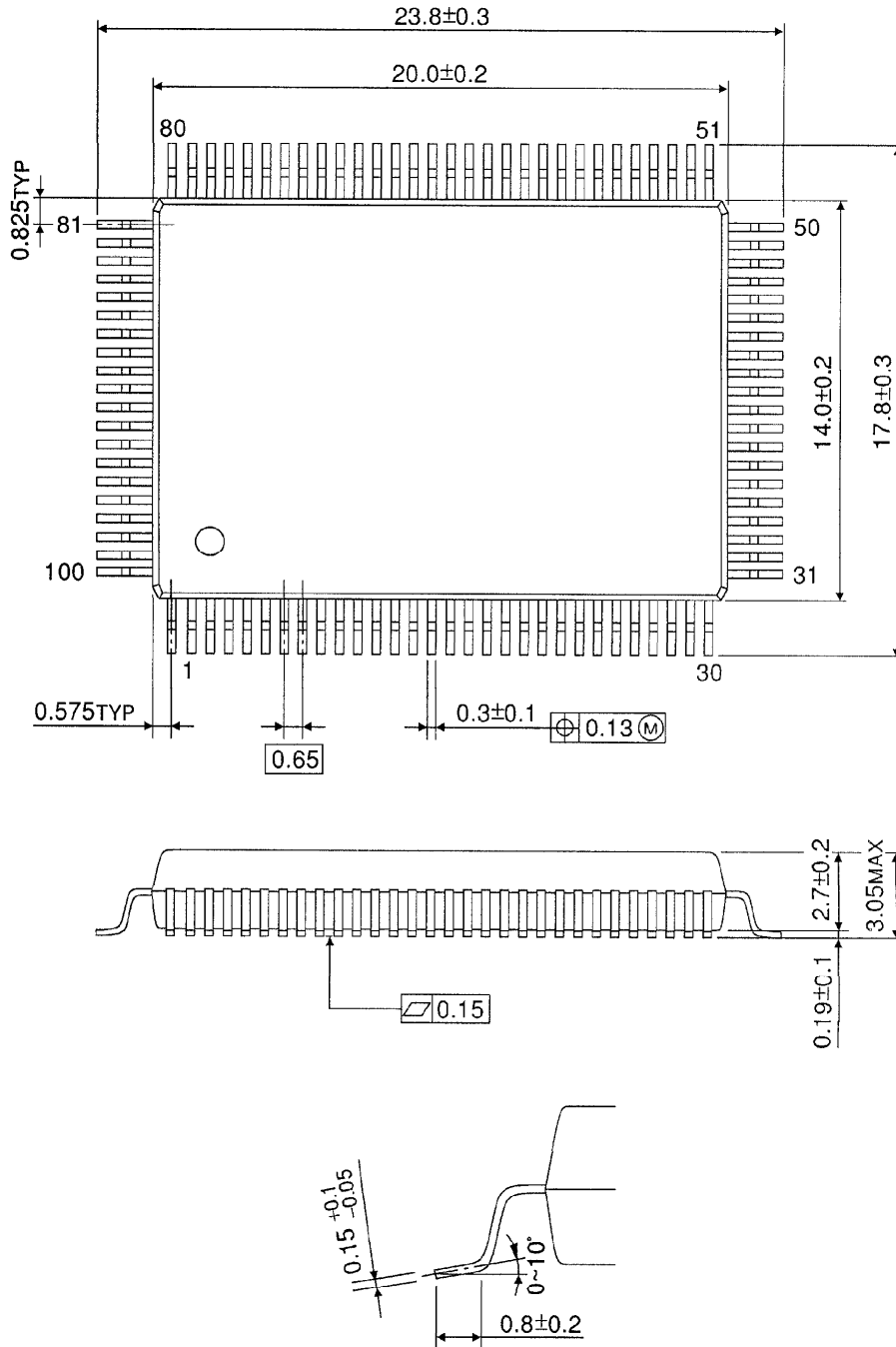
DAC CHARACTERISTICS

(Operation conditions : $V_{DD} = 3.3V$, $T_a = -20 \sim 70^\circ C$, $V_{SS} = 0V$)

CHARACTERISTIC	SYMBOL	TEST CIR-CUIT	TEST CONDITION	MIN.	TYP.	MAX.	UNIT
Non-linear Error	ILE	—				± 1	LSB
Differential Non-linear Error	DLE	—				± 1	LSB
Analog Output Voltage	FULL SCA	VIFS	—			V_{DD}	V
	ZERO SCA	VIZS	—	VREF			

PACKAGE DIMENSIONS
QFP100-P-1420-0.65A

Unit : mm



Weight : 1.6g (Typ.)

RESTRICTIONS ON PRODUCT USE

000707EBA

- TOSHIBA is continually working to improve the quality and reliability of its products. Nevertheless, semiconductor devices in general can malfunction or fail due to their inherent electrical sensitivity and vulnerability to physical stress. It is the responsibility of the buyer, when utilizing TOSHIBA products, to comply with the standards of safety in making a safe design for the entire system, and to avoid situations in which a malfunction or failure of such TOSHIBA products could cause loss of human life, bodily injury or damage to property. In developing your designs, please ensure that TOSHIBA products are used within specified operating ranges as set forth in the most recent TOSHIBA products specifications. Also, please keep in mind the precautions and conditions set forth in the "Handling Guide for Semiconductor Devices," or "TOSHIBA Semiconductor Reliability Handbook" etc..
- The TOSHIBA products listed in this document are intended for usage in general electronics applications (computer, personal equipment, office equipment, measuring equipment, industrial robotics, domestic appliances, etc.). These TOSHIBA products are neither intended nor warranted for usage in equipment that requires extraordinarily high quality and/or reliability or a malfunction or failure of which may cause loss of human life or bodily injury ("Unintended Usage"). Unintended Usage include atomic energy control instruments, airplane or spaceship instruments, transportation instruments, traffic signal instruments, combustion control instruments, medical instruments, all types of safety devices, etc.. Unintended Usage of TOSHIBA products listed in this document shall be made at the customer's own risk.
- The products described in this document are subject to the foreign exchange and foreign trade laws.
- The information contained herein is presented only as a guide for the applications of our products. No responsibility is assumed by TOSHIBA CORPORATION for any infringements of intellectual property or other rights of the third parties which may result from its use. No license is granted by implication or otherwise under any intellectual property or other rights of TOSHIBA CORPORATION or others.
- The information contained herein is subject to change without notice.