

TOSHIBA CMOS DIGITAL INTEGRATED CIRCUIT SILICON MONOLITHIC

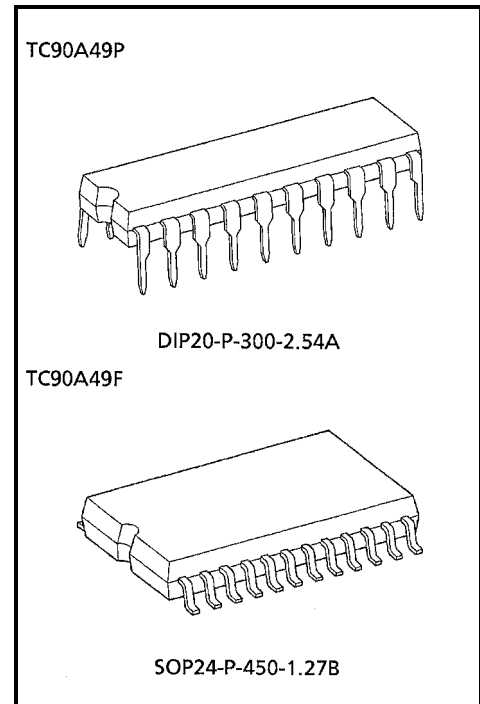
TC90A49P, TC90A49F

3LINE DIGITAL Y / C SEPARATOR IC (MULTICOLOR TYPE)

The TC90A49P / F is a 3-line digital Y / C (luminance / chrominance) separation IC for PAL, NTSC, M-PAL and N-PAL format.

FEATURES

- TV format : NTSC (3.58), PAL, M-PAL, and N-PAL
- Dynamic comb filter
- Vertical edge enhancement circuit
- PLL 8 × multiplier circuit
- Internal 8-bit 4 fsc AD converter
- Internal 8-bit precision 8 fsc DA converter (2 ch)
- Sync tip clamp circuit
- Internal 4H-line memory
- I²C bus interface
- Package : DIP 20-pin and SOP 24-pin
- 5 V single power supply



Weight
 DIP20-P-300-2.54A : 1.11 g (Typ.)
 SOP24-P-450-1.27B : 0.44 g (Typ.)

000707EBA1

• TOSHIBA is continually working to improve the quality and reliability of its products. Nevertheless, semiconductor devices in general can malfunction or fail due to their inherent electrical sensitivity and vulnerability to physical stress. It is the responsibility of the buyer, when utilizing TOSHIBA products, to comply with the standards of safety in making a safe design for the entire system, and to avoid situations in which a malfunction or failure of such TOSHIBA products could cause loss of human life, bodily injury or damage to property.
 In developing your designs, please ensure that TOSHIBA products are used within specified operating ranges as set forth in the most recent TOSHIBA products specifications. Also, please keep in mind the precautions and conditions set forth in the "Handling Guide for Semiconductor Devices," or "TOSHIBA Semiconductor Reliability Handbook" etc..

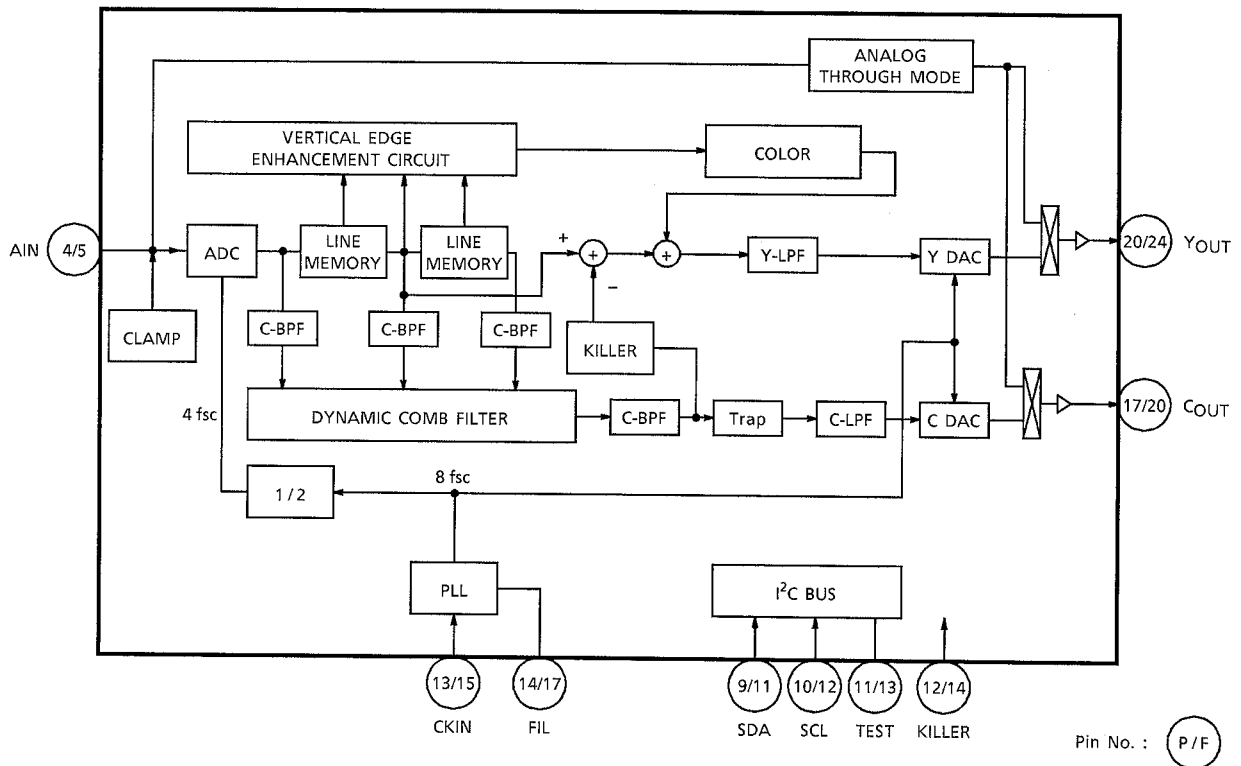
• The TOSHIBA products listed in this document are intended for usage in general electronics applications (computer, personal equipment, office equipment, measuring equipment, industrial robotics, domestic appliances, etc.). These TOSHIBA products are neither intended nor warranted for usage in equipment that requires extraordinarily high quality and/or reliability or a malfunction or failure of which may cause loss of human life or bodily injury ("Unintended Usage"). Unintended Usage include atomic energy control instruments, airplane or spaceship instruments, transportation instruments, traffic signal instruments, combustion control instruments, medical instruments, all types of safety devices, etc.. Unintended Usage of TOSHIBA products listed in this document shall be made at the customer's own risk.

• The products described in this document are subject to the foreign exchange and foreign trade laws.

• The information contained herein is presented only as a guide for the applications of our products. No responsibility is assumed by TOSHIBA CORPORATION for any infringements of intellectual property or other rights of the third parties which may result from its use. No license is granted by implication or otherwise under any intellectual property or other rights of TOSHIBA CORPORATION or others.

• The information contained herein is subject to change without notice.

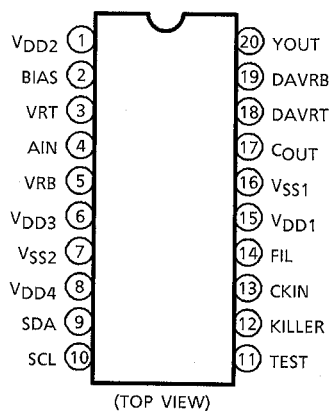
BLOCK DIAGRAM



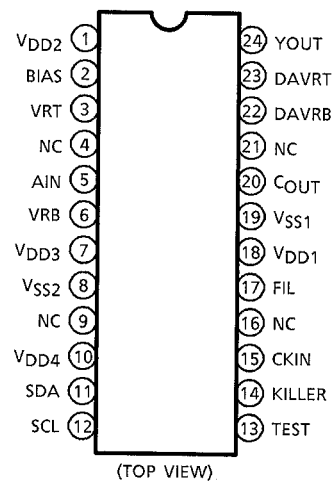
Pin No. : P/F

PIN ASSIGNMENT

TC90A49P

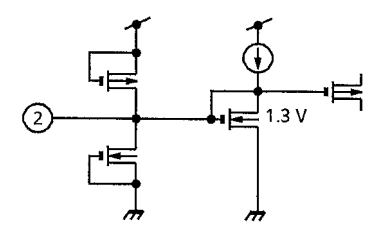
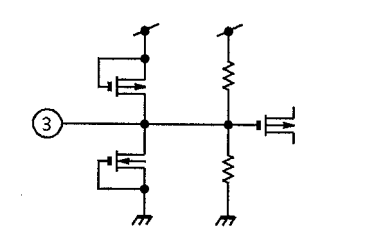
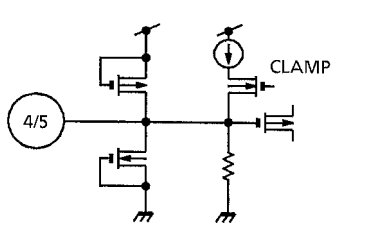
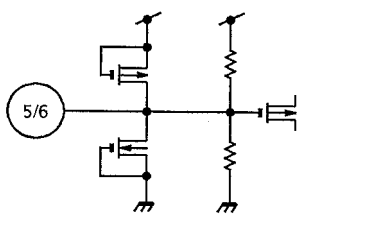
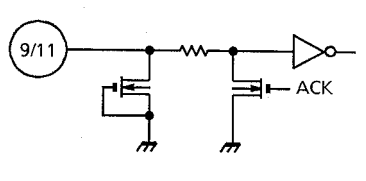
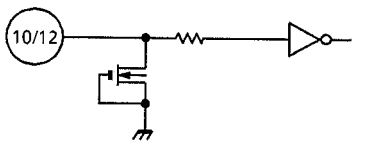


TC90A49F

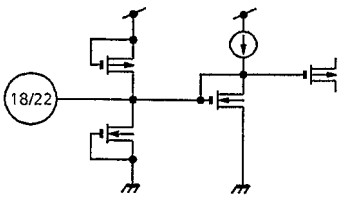
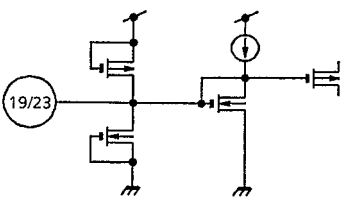
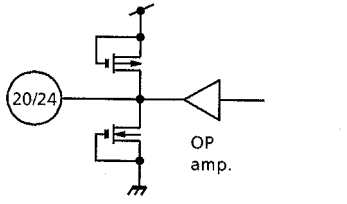


The NC which was writing in PIN ASSIGNMENT must use the open condition.

PIN DESCRIPTION (no. before / indicates DIP package pin no.
no. after / indicates SOP package pin no.)

PIN No.	PIN NAME	FUNCTION	I / O	INTERFACE
1	V _{DD2}	ADC and DAC analog power supply.	-	-
2	BIAS	ADC bias voltage. Stabilize by attaching a 0.01μF capacitor.	-	
3	VRT	ADC input range D upper limit voltage. Stabilize by attaching a 0.01μF capacitor.	-	
4 / 5	AIN	ADC input. Inputs 1.0 V _{p-p} video signal. Sync tip clamp is performed.	I	
5 / 6	VRB	ADC input range D lower limit voltage. Stabilize by attaching a 0.01μF capacitor.	-	
6 / 7	V _{DD3}	ADC and DAC logic power supply.	-	-
7 / 8	V _{SS2}	Logic and internal DRAM GND (digital).	-	-
8 / 10	V _{DD4}	Internal DRAM power supply.	-	-
9 / 11	SDA	I ² C BUS SDA	I / O	
10 / 12	SCL	I ² C BUS SCL	I	

PIN No.	PIN NAME	FUNCTION	I / O	INTERFACE
11 / 13	TEST	Shipment test mode switch or I ² C bus setting reset pin. When High, test mode, setting all I ² C bus settings to 0. Hold High for at least 100μs. Send I ² C bus settings when this pin is Low.	I	
12 / 14	KILLER	Y signal comb function ON / OFF switch. When High, comb OFF. When Low, comb ON. When [data 3 : bit 0] is 1, used as vertical edge enhancement circuit ON / OFF switch.	I	
13 / 15	CKIN	Clock input pin. Pin 13 put a sine wave which is locked to the frequency of the burst signal in the input video signal. Amplitude is 300 mV p-p to 2 Vp-p. Input as high an amplitude as possible without affecting peripheral circuits.	I	
14 / 17	FIL	Connect the APC filter in the 8 fsc PLL circuit.	-	
15 / 18	VDD1	PLL power supply.	-	-
16 / 19	VSS1	ADC, DAC, and PLL GND (analog).	-	-
17 / 20	COUT	Outputs chrominance signal. External simple LPF for clock elimination recommended.	O	

PIN No.	PIN NAME	FUNCTION	I / O	INTERFACE
18 / 22	DAVRT	DAC output range D upper limit voltage. Stabilize by attaching a 0.01 μ F capacitor.	-	
19 / 23	DAVRB	DAC output range D lower limit voltage. Stabilize by attaching a 0.01 μ F capacitor.	-	
20 / 24	Y _{OUT}	Outputs luminance signal. External simple LPF for clock elimination recommended.	O	

FUNCTION DESCRIPTION (Pin no. in this section refers to DIP package pin no.)

1. AD converter (ADC)

High-speed 8-bit AD converter. The input dynamic range is $1.3 V_{p-p}$ (max) = 256 steps. They recommends input of video signals of $1.0 V_{p-p}$ (from sync tip level to 100% white level).

2. Clamp circuit

Performs sync tip clamp of the input video signal. The clamp level is determined internally to use the ADC dynamic range efficiently.

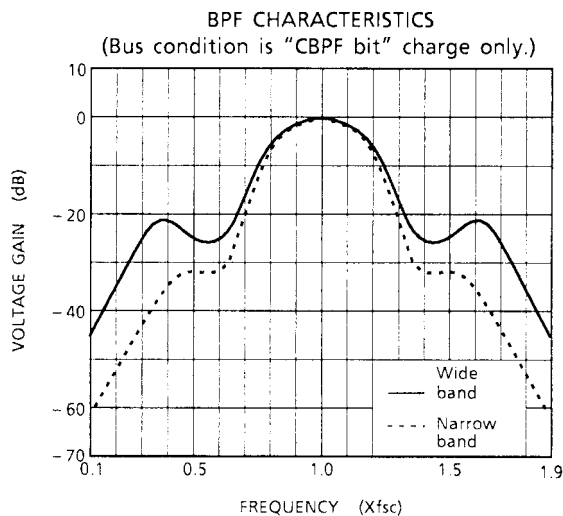
3. Line memory

Incorporates DRAM-resident, four 1-H delay circuits. Combination of delay circuits and delay times are determined according to the signal format selected by the I²C bus.

TV Format	NTSC	PAL	N-PAL	M-PAL
Delay Amount (clock)	910	1135	917	909

4. Band pass filter (BPF)

Extracts the chrominance signal from the line-memory-delayed composite video signal. The same filter is used by NTSC, PAL, M-PAL, and N-PAL formats. The center frequency is f_{sc} . The characteristics differ depending on the TV format. BPFs are provided for both input and output sides of the dynamic comb filter. The input side can be set to a wide band. The output side can be set to either a wide or a narrow band using the I²C bus control.



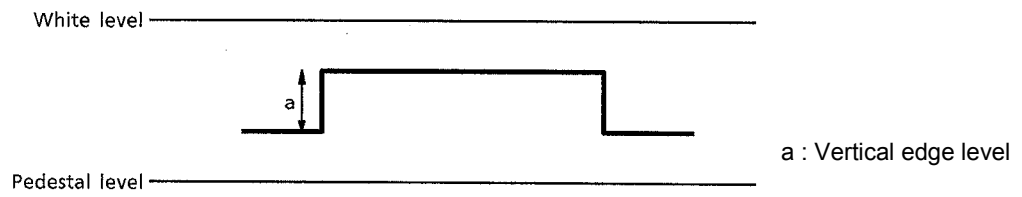
5. Dynamic comb filter (DCF)

Using Toshiba's original decision logic, detects a correlation of the three consecutive vertical lines for NTSC, every other three lines for PAL, and extracts the chrominance signal accordingly.

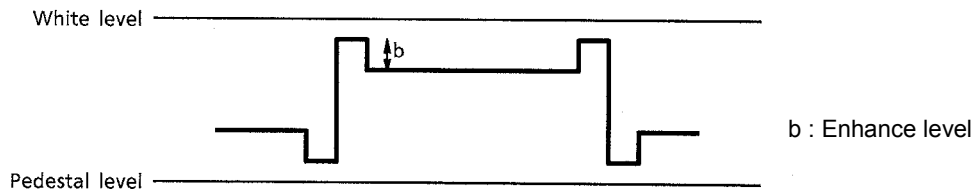
6. Vertical edge enhancement circuit

Generates edge components in proportion to the luminance differential signal of the three consecutive vertical lines and adds the components to the luminance signal output. There are eight enhancement levels selected by the I²C bus. The coring circuit eliminates differential signals caused by noise ; thus, increase in noise due to edge enhancement is reduced. Signals lower than the pedestal level due to the addition of the edge enhancement signal may be generated ; however, such signals are eliminated by the pedestal clip circuit at a later stage. Therefore, there is no adverse effect on the sync processor circuit. The coring circuit regards small edge components as noise and does not perform enhancement.

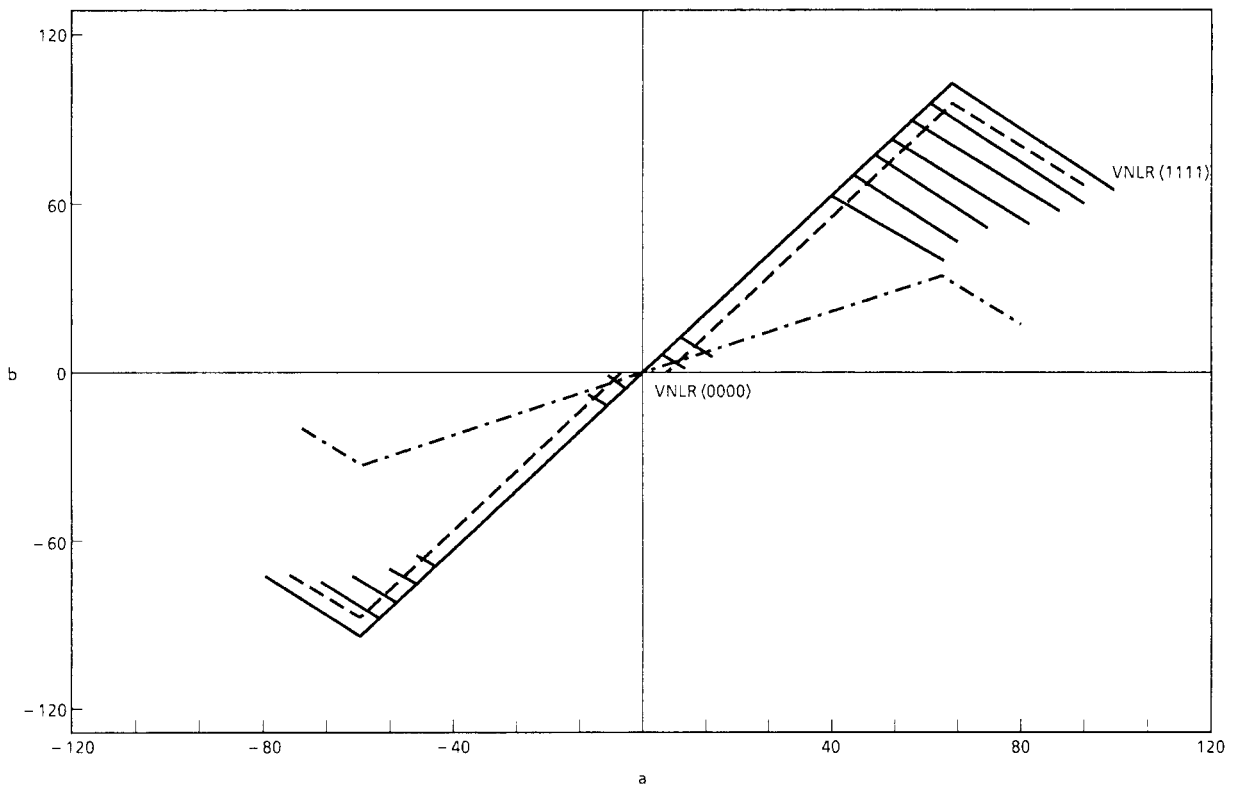
(1) Input signal with edge component



(2) Output signal

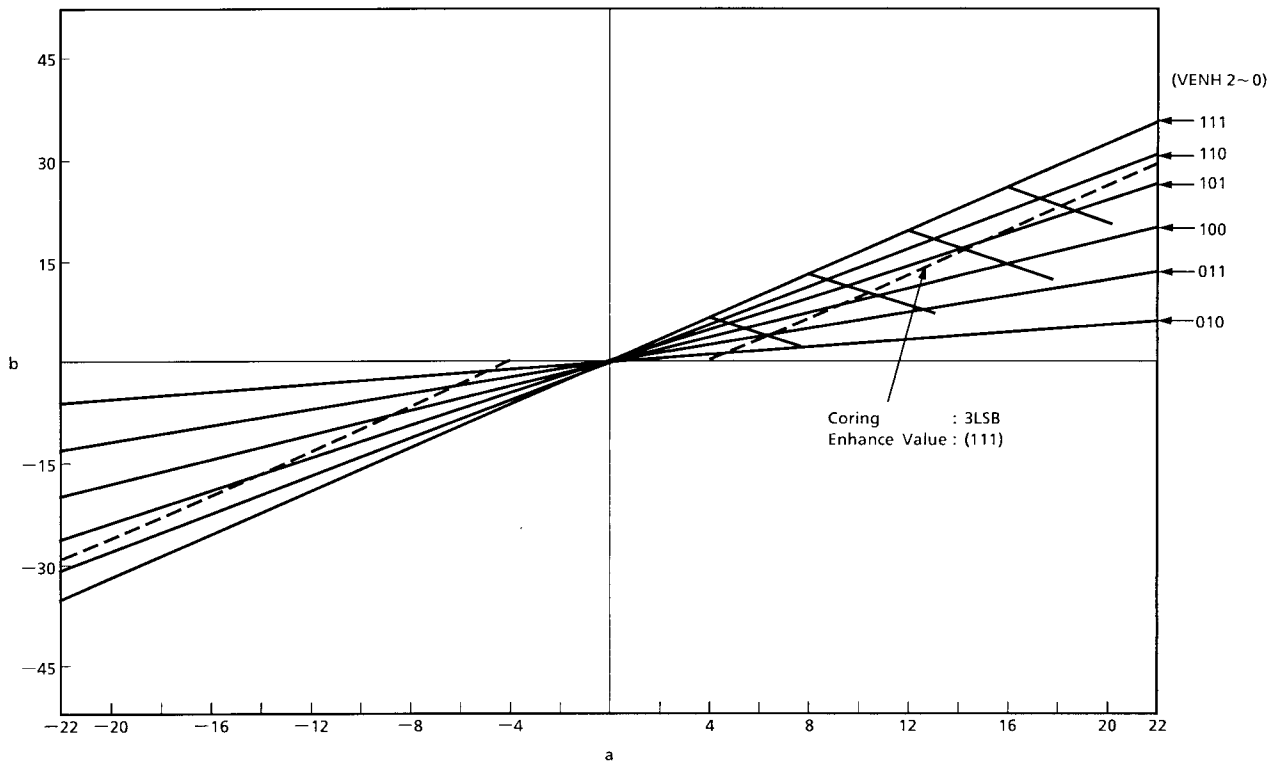


Vertical edge enhancement characteristic



- Enhance Value : 111 (+1.5)
- Non liner point : 0000~1111
- Coring : 0LSB
- - - Enhance Value : 111 (+1.5)
- - - Non liner point : 1111
- - - Coring : 3LSB
- · - Enhance Value : 011 (+0.5)
- · - Non liner point : 1111
- · - Coring : 0LSB

Vertical edge enhancement characteristic (Zoom)



Relation between difference a in luminous signal to be enhanced during 1H and applied enhance amount b.
 Both a and b are LSB amounts. 1LSB $\hat{=}$ 0.005 V
 Coring : 0LSB

- Enhance Value : (111) — (110) — (101)
- Enhance Value : (100) — (011) — (010) — (001)
- Coring : 3LSB
- - - Enhance Value : (111)

7. PLL 8 x multiplier circuit

Multiplies by eight the input subcarrier signal which is locked to the frequency of burst signal to generate 8 fsc and 4 fsc system clocks.

8. DA converter (DAC)

The Y / C signal separated using the 4 fsc clock as the basic clock is over-sampled by the 8 fsc clock, then DA-converted.

9. Color killer circuit

When the input video signal is a monochrome image, this circuit enables effective use of the luminance signal information regardless of whether there is a burst signal. It does this by preventing the chroma signal output from the comb filter from being subtracted from the luminance signal.

While the VBI signal is active it is better not to use the comb function. Setting the KILLER pin to High at this time enables the use of character multiplex and other signals from the Y output unchanged.

10. RESET / TEST pin

Switches between normal comb operation and test operation. Also used for I²C bus reset input. Change in voltage from Low to High triggers a reset. Normal use is Low.

11. I²C bus interface

Some functions and setting values can be selected using the I²C bus. The data transfer format conforms to the Philips I²C bus format.

Data transfer format

S	Slave address (8 bit)	A	DATA1	A	DATA2	A	DATA3	A	P
---	-----------------------	---	-------	---	-------	---	-------	---	---

S : start condition A : acknowledge P : end condition
 Slave address : B4 (HEX)

12. I²C bus control contents : When a reset signal is input, all the following bits are zero-cleared.

	MSB bit7	bit6	bit5	bit4	bit3	bit2	bit1	LSB bit0
DATA1	MODE ₂	MODE ₁	MODE ₀	VENH ₂	VENH ₁	VENH ₀	PDSOFF	CB
DATA2	VNLR ₃	VNLR ₂	VNLR ₁	VNLR ₀	GSEL ₁	GSEL ₀	COR ₁	COR ₀
DATA3	TRAP	CHTRAP	Fixed to 0	CBPF	Fixed to 0	Fixed to 0	Fixed to 0	ENHOFF

Mode 2 to Mode 0 : Select video signal format.

000 : Analog Through Mode 001 : M-PAL 010 : N-PAL 011 : PAL 100 : NTSC

When Analog Through mode is selected, input video signals are output to Yout and Cout unchanged. In Analog Through mode, the delay time for output signals differs from those used for other modes. Therefore, when changing modes to Analog Through mode, to decide the input signal format, provide some delay time until an image is displayed.

There is a case where a 1 LSB error voltage at frequency fsc is multiplexed with the output signal. When deciding the input signal format, to avoid an erroneous decision due to fsc leakage, be careful when setting the decision sensitivity (killer sensitivity).

When the input signal is SECAM or 4.43 NTSC, select Analog Through mode. A separate BELL filter or a BPF is required.

VENH₂ to VENH₀ : Set vertical enhancer gain.

000 : (+0.0) to 111 : (+1.5)

PDSOFF : Switches pedestal clip ON / OFF after vertical edge enhancement circuit.

0 : ON 1 : OFF

CB : Sets Color Killer mode to ON / OFF

0 : Y signal comb function ON

1 : Y signal comb function OFF (Same composite signal is output from Y and C pins.)

VNIR₃ to VNIR₀ : Set vertical enhancer non-linear point.

0000 : 4 LSB (internal set of IC to 4 LSB) to 1111 : 64 LSB (internal set of IC to 64 LSB)

GSEL₁ : Sets Y output horizontal peaking gain.

0 : 1.5 dB 1 : 3.0 dB

GSEL₀ : Switches Y output horizontal peaking ON / OFF.

0 : ON 1 : OFF

COR₁ and COR₀ : Set vertical enhancer coring level.

00 : 0 LSB to 11 : 3 LSB

TRAP : Sets C output 1 / 2 fsc trap ON / OFF.

0 : ON 1 : OFF

CHTRAP : Sets C output trap gain.

0 : -24 dB 1 : -16 dB

CBPF : Switches C output BPF ON / OFF (BPF characteristic after dynamic comb filter output).

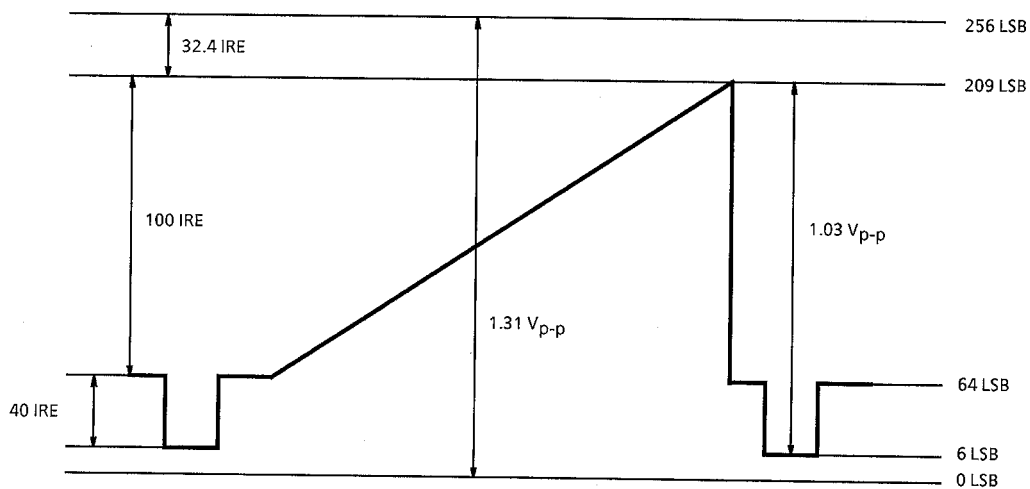
0 : Narrow band = BPF → ON 1 : Wide band = BPF → OFF

ENHOFF : Sets KILLER pin function.

0 : Comb ON / OFF 1 : Comb ON / OFF and vertical edge enhancement ON / OFF

Signal level inside the IC

The sync tip of the input video signal is clamped to an internal level equivalent to 6 LSB. When a signal amplitude of 1.0 V is equivalent to 140 IRE, 100% white status becomes an internal level of 209 LSB. At this time, the input dynamic range of 256 LSB is equivalent to 1.3 V_{p-p}.



MAXIMUM RATINGS (Ta = 25°C)

CHARACTERISTIC		SYMBOL	RATING	UNIT
Power Supply Voltage		V _{DD}	V _{SS} + 6.0	V
Pin Voltage	Max	V _{inmax}	V _{DD} + 0.3	V
	Min	V _{inmin}	V _{SS} - 0.3	
Power Dissipation	49P (Note)	P _D	550	mW
Power Dissipation	49F (Note)	P _D	458	mW
Storage Temperature		T _{stg}	-55~125	°C

(Note) : Ta = 70°C

RECOMMENDED OPERATING CONDITIONS

CHARACTERISTIC	SYMBOL	MIN	TYP.	MAX	UNIT	NOTE
Power Supply Voltage	V _{DD}	4.75	5.0	5.25	V	
Digital Input Voltage	V _{DIN}	0	-	V _{DD}	V	
Operating Temperature	T _{opr}	-10	-	70	°C	

ELECTRICAL CHARACTERISTICS (Pin no. corresponds to DIP package pin no.) DC CHARACTERISTICS

(Ta = 25°C, V_{DD} = 5.0 V, CKIN = 3.58 MHz, 1.0 V_{p-p} input, A_{in} = no input, in all modes)

CHARACTERISTIC	SYMBOL	MIN	TYP.	MAX	UNIT	NOTE
Power Supply Current	I _{DD}	40	75	85	mA	Supply current, in all modes
Pin Voltage	V ₂	0.5	1.3	2.1	V	Pin 2 : ADC bias
	V ₃	2.85	3.15	3.48	V	Pin 3 : AD range D upper limit
	V ₄	1.65	1.85	2.02	V	Pin 4 : A _{in} input pin voltage
	V ₅	1.65	1.85	2.02	V	Pin 5 : AD range D lower limit
	V ₁₈	2.85	3.15	3.48	V	Pin 18 : DA range D upper limit
	V ₁₉	1.65	1.85	2.02	V	Pin 19 : DA range D lower limit

DC CHARACTERISTICS

(Ta = 25°C, V_{DD} = 5.0 V, CKIN = each fsc, A_{in} = no input, unless otherwise specified, in all modes)

CHARACTERISTIC	SYMBOL	MIN	TYP.	MAX	UNIT	NOTE
Output Voltage	Y _{OUT}	1.65	1.85	2.02	V	Pin 20 : Y _{OUT}
	C _{OUT}	1.65	1.85	2.02	V	Pin 17 : C _{OUT}

DC CHARACTERISTICS

($T_a = 25^\circ\text{C}$, $V_{DD} = 5.0\text{ V}$, $CKIN = \text{each fsc}$, $A_{in} = \text{no input, unless otherwise specified, in all modes}$)

CHARACTERISTIC	SYMBOL	MIN	TYP.	MAX	UNIT	NOTE
Output Voltage	Y_{OUT}	1.65	1.85	2.02	V	Pin 20 : Y_{OUT}
	C_{OUT}	2.25	2.5	2.67	V	Pin 17 : C_{OUT}
FIL Pin (pin 14) Voltage	V_{14}	-	2.2	-	V	NTSC mode 3.579545 MHz
FIL Pin (pin 14) Voltage	V_{14}	-	2.4	-	V	PAL mode 4.433619 MHz
FIL Pin (pin 14) Voltage	V_{14}	-	2.2	-	V	M-PAL mode 3.575611 MHz
FIL Pin (pin 14) Voltage	V_{14}	-	2.2	-	V	N-PAL mode 3.582056 MHz

PLL CHARACTERISTICS

($T_a = 25^\circ\text{C}$, $V_{DD} = 5.0\text{ V}$, $CKIN = 1.0\text{ Vp-p}$ input, $A_{in} = \text{no input, unless otherwise specified, in all modes}$)

CHARACTERISTIC	SYMBOL	MIN	TYP.	MAX	UNIT	NOTE
Pull-in Frequency Range (NTSC)	Δf_{ckN}	-	-	± 100	kHz	In relation to fsc center frequency
Pull-in Frequency Range (PAL)	Δf_{ckP}	-	-	± 100	kHz	In relation to fsc center frequency
Pull-in Frequency Range (NPAL)	Δf_{ckN}	-	-	± 100	kHz	In relation to fsc center frequency
Pull-in Frequency Range (MPAL)	Δf_{ckM}	-	-	± 100	kHz	In relation to fsc center frequency
Input Amplitude (fsc sine wave)	V_{ck}	0.3	1.0	2.0	V_{p-p}	

DIGITAL CHARACTERISTICS ($T_a = 25^\circ\text{C}$, $V_{DD} = 5.0\text{ V}$)

CHARACTERISTIC	SYMBOL	MIN	TYP.	MAX	UNIT	NOTE
Input Voltage	V_{IH}	4	-	-	V	Pin 9, Pin 10, Pin 12
	V_{IL}	-	-	1	V	Pin 9, Pin 10, Pin 12
Current at ACK Output	Ack	4	-	-	mA	Pin 9 $V_{OLmax} : 0.4\text{ V}$

AC CHARACTERISTICS (Ta = 25°C, VDD = 5.0 V, CKIN = 1.0 Vp-p input)

(1)Y Input (A_{in} = input, unless otherwise specified, in all modes except Analog Through Mode)

CHARACTERISTIC		SYMBOL	MIN	TYP.	MAX	UNIT	NOTE
Input D Range	AD Input Top Level	V _{ADt}	2.85	3.15	3.48	V	
	AD Input Bottom Level	V _{ADb}	1.65	1.85	2.02	V	
	AD Input Difference Between Top and Bottom	V _{AD}	-20	-	+20	mV	
Output D Range	YDA Output Top Level	V _{DAt}	2.85	3.15	3.48	V	
	YDA Output Bottom Level	V _{DAb}	1.65	1.85	2.02	V	
	YDA Output Difference Between Top and Bottom	V _{DA}	-20	-	+20	mV	
Y _{OUT} Low Frequency Gain		GY	-0.5	0.0	0.5	dB	Input / output gain measured in ADDA Through mode
Y _{OUT} Frequency Characteristic (Peaking OFF)		FW	-	4.7	-	MHz	-3 dB frequency
Y _{OUT} Frequency Characteristic (Peaking 1.5 dB)		FW1	-	6.2	-	MHz	-3 dB frequency
Y _{OUT} Frequency Characteristic (Peaking 3.0 dB)		FW2	-	6.7	-	MHz	-3 dB frequency
Y _{OUT} Comb Characteristic		Y _{com}	40	45	-	dB	Difference between comb top and bottom
Y _{OUT} Differential Accidental		L	-1	0	+1	LSB	(Reference value)
Y _{OUT} Integral Accidental		B	-3	0	+3	LSB	(Reference value)
Output Impedance		Z _y	300	600	900	Ω	

(2)C Output (A_{in} = input, unless otherwise specified, in all modes except Analog Through Mode)

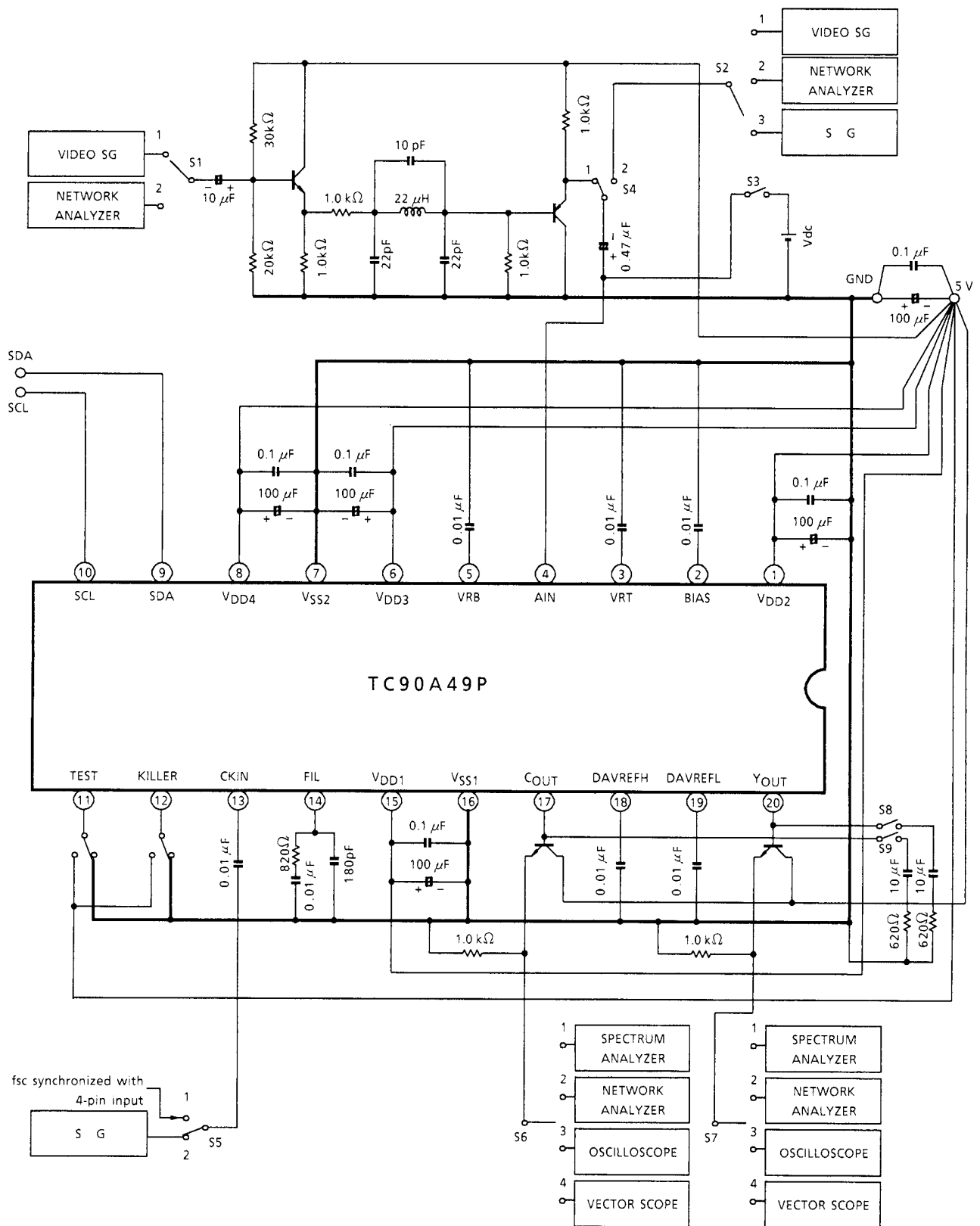
CHARACTERISTIC	SYMBOL	MIN	TYP.	MAX	UNIT	NOTE
Output Dynamic Range	V _{COUT}	-	1.0	1.0	V	D Range of C
C _{OUT} Gain Input	GC	-0.5	0.0	+ 0.5	dB	Output gain at comb operation
C _{OUT} Gain Comb Characteristic	C _{com}	35	40	-	dB	Difference between comb top and bottom
Differential Gain	DG	0	2	5	%	
Differential Phase	DP	0	2	5	°	
Output Impedance	Z _c	300	600	900	Ω	

(3)CHARACTERISTICS BY BUS SETTING

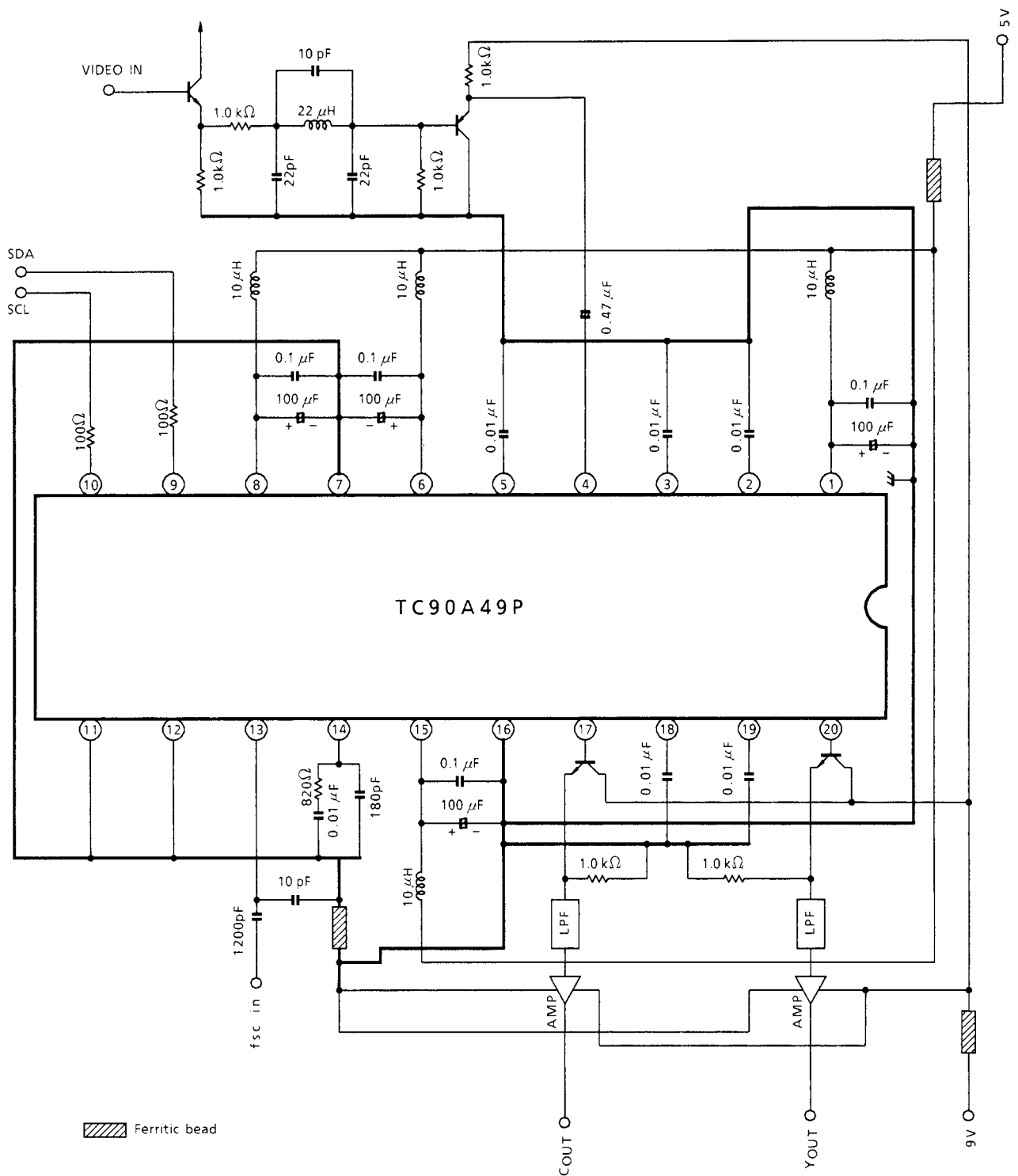
(A_{in} = input, unless otherwise specified, in all modes except Analog Through Mode)

CHARACTERISTIC	SYMBOL	MIN	TYP.	MAX	UNIT	NOTE
C-BPF Characteristic (Wide Band)	BW ₁	-	-2.5	-	dB	Attenuation at fsc -0.5 MHz
C-BPF Characteristic (Narrow Band)	BW ₀	-	-3.0	-	dB	Attenuation at fsc -0.5 MHz

TEST CIRCUIT (TC90A49P)



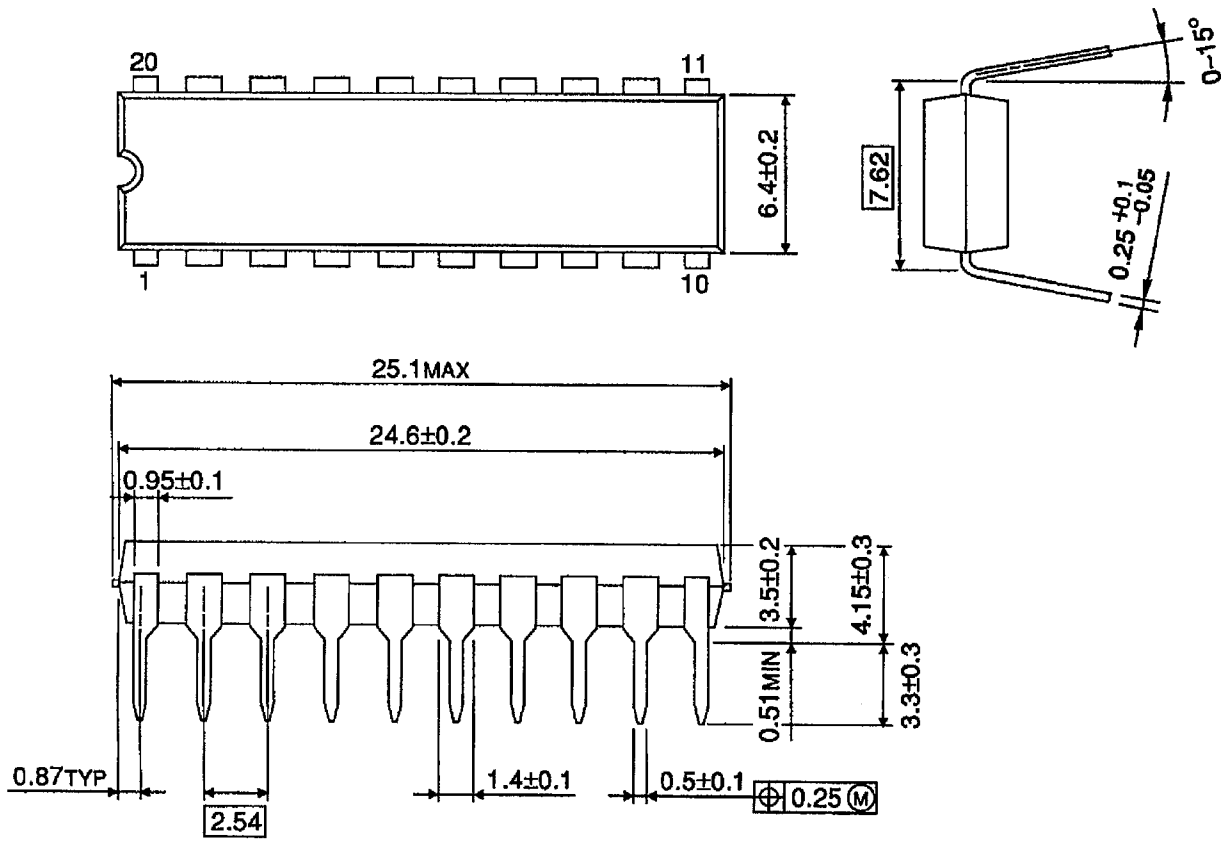
APPLICATION CIRCUIT (TC90A49P)



PACKAGE DIMENSIONS

DIP20-P-300-2.54A

Unit : mm

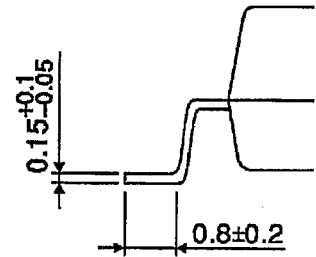
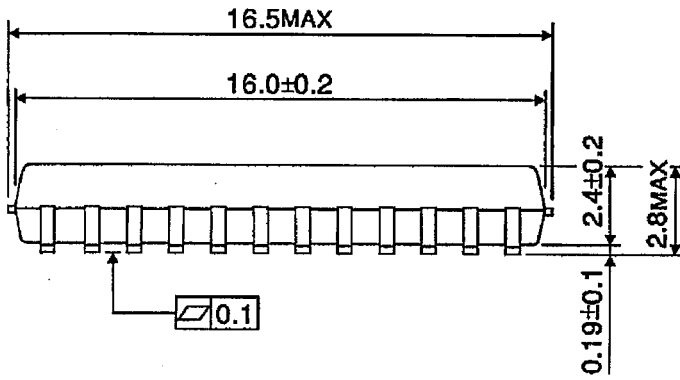
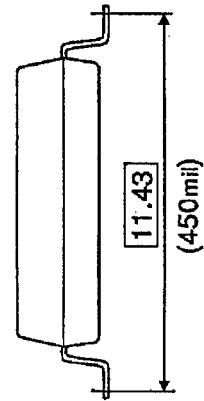
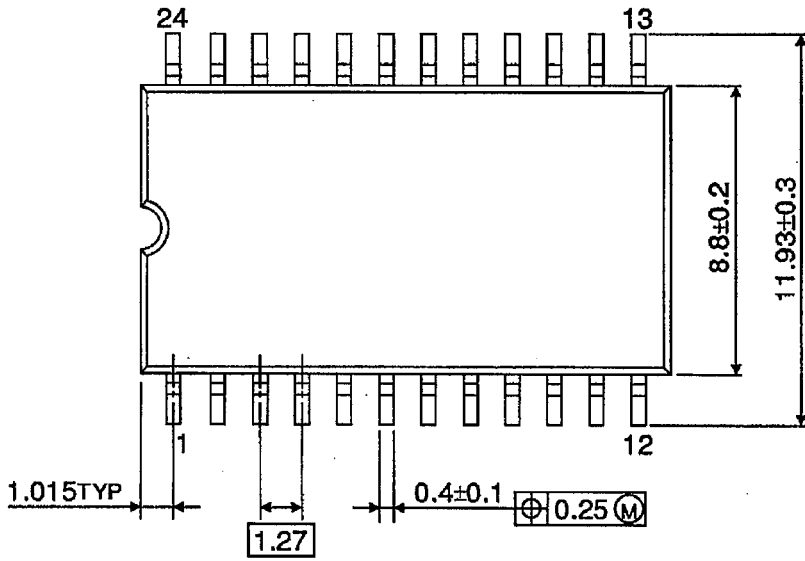


Weight : 1.11g (Typ.)

PACKAGE DIMENSIONS

SOP24-P-450-1.27B

Unit : mm



Weight : 0.44g (Typ.)