

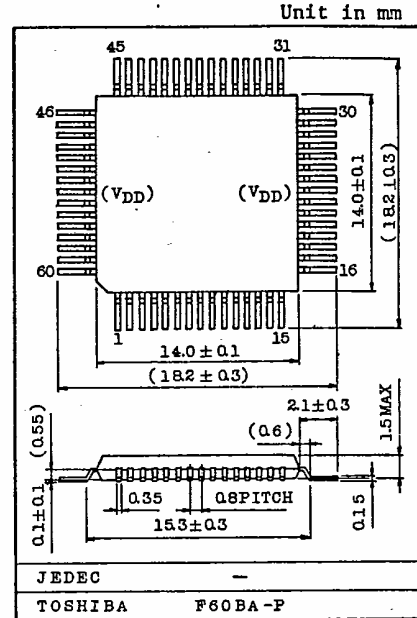
TC9302AF-008

TC9302AF-008 DIGITAL TUNING SYSTEM

○OUTLINE OF SYSTEM

The TC9302AF-008 can compose a high efficiency digital tuning system in combination with the TC9172P, a PLL LSI.

The TC9302AF-008 can be selected the receiving frequency bands of FM/MW, FM/MW/LW, SW2/SW1/FM/MW, and most suitable to apply to home-stereo.



○RECEIVING FREQUENCY BANDS (Example of composition)

BAND	RECEIVING FREQUENCY [Hz]	STEP [Hz]	FREQ [Hz]	IF [Hz]	IF OFFSET [Hz]	NOTE
FM	76.0 ~ 90.0M	50K or 100K	25K	+10.7M or -10.7M	±50K	
	87.5 ~ 108.0M					
MW	531 ~ 1602K	9K	9K	+450K	-	Selection of availability
	530 ~ 1610K	10K	10K			
LW	153 ~ 344K	1K	1K			
SW1	3.200 ~ 7.300M	5K	5K			
SW2	9.500 ~ 21.750M	5K	5K			Selection of availability



TC9302AF-008

T-77-21

○OUTLINE OF FUNCTION

○TUNING FUNCTION

- . Manual tuning
- . Auto tuning (Tuning scan system is in a triangle waveform type, but in LW and SW bands are manual tuning only.)
- . Memory scan tuning
- . The receiving band selection method can be selected of one-band key cyclic type and each band key type.

○MEMORY FUNCTION

- . To be able to select of 10-channels random type and 5-channels fixed type for each band.

○SIGNAL LEVEL DISPLAY

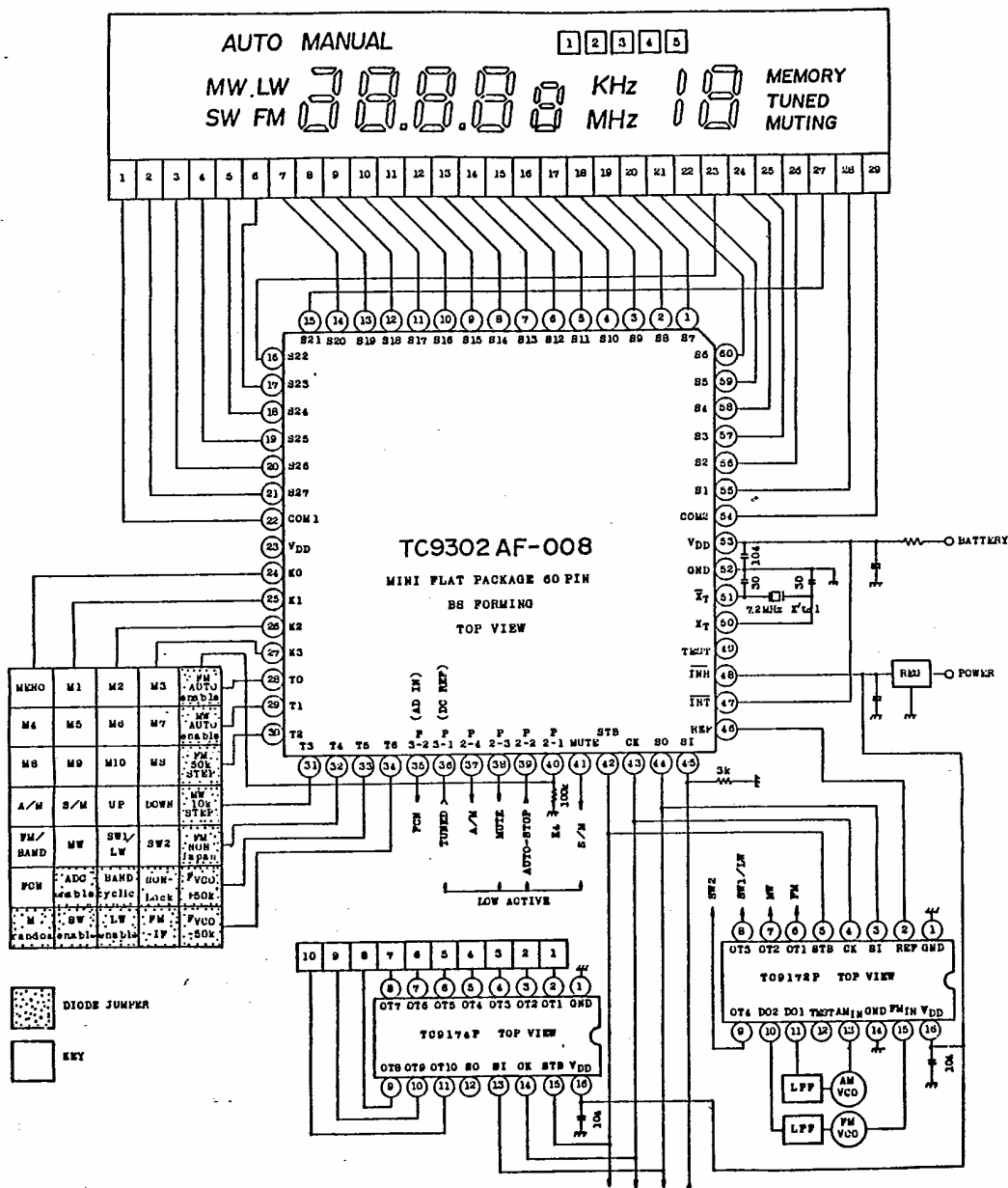
- . 5-points for display by internal 4 bit A/D converter. (1-point is always lighting)

○THE EXTERNAL MEMORY DISPLAY

- . When TC9174P is used, it is able to be light on the memory display of 10-channels individually LED etc.

TC9302AF-008

o TC9302AF-008 EXAMPLE OF APPLICATION CIRCUIT



TOSHIBA