

TOSHIBA CMOS Digital Integrated Circuit Silicon Monolithic

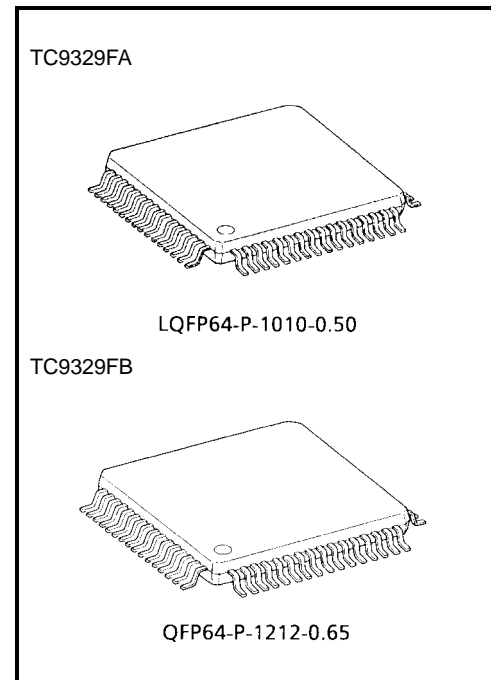
# TC9329FA, TC9329FB

## Portable Audio DTS Controller (DTS-21)

The TC9329FA/FB is a single-chip DTS microcontroller for portable audio incorporating 230 MHz prescaler, PLL, and LCD driver. In addition to a 20 bit IF counter, 6 bit A/D converter, serial interface, and buzzer function, the device supports an interrupt function, 8 bit timer/counter, and 8 bit pulse counter. The LCD driver features built-in 1/4 duty, 1/2 bias and a 3 V voltage doubler boosting circuit, implementing stable LCD. The power supply voltage ranges from 0.9 to 1.8 V. Because of its low-current consumption (CPU: 80  $\mu$ A (max)), the device is suitable for use in digital tuning systems in portable equipment such as headphone stereos.

### Features

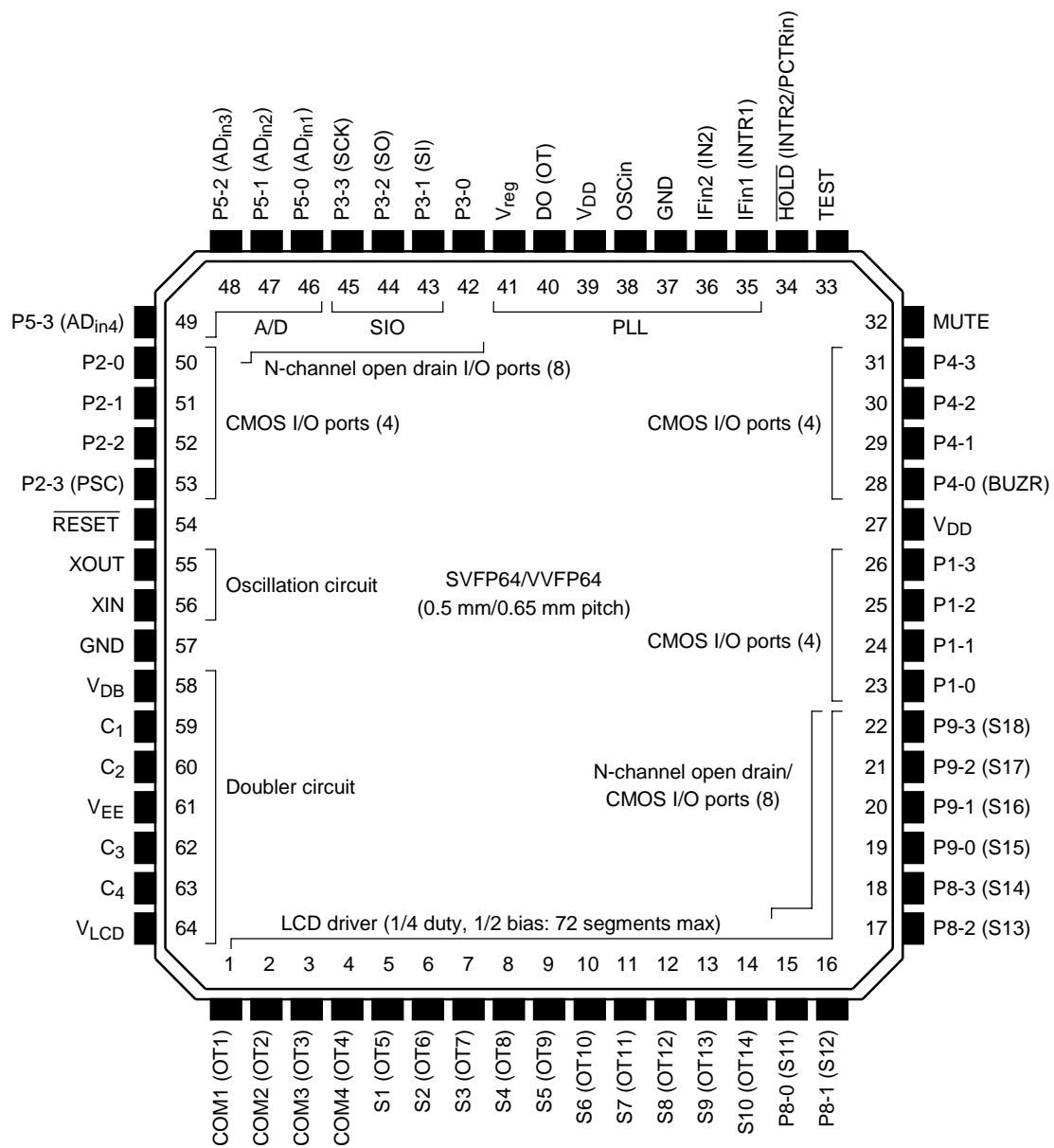
- CMOS DTS microcontroller LSI with built-in 230 MHz prescaler, PLL, and LCD driver
- Operating voltage:  $V_{DD} = 0.9\sim 1.8$  V (typ.: 1.5 V)
- Current dissipation:
  - When CPU in operation:  $I_{DD} = 40$   $\mu$ A typ.
  - When PLL in operation:  $I_{DD} = 6$  mA typ. (VHF mode)
- Operating temperature range:  $T_a = -10\sim 60^\circ\text{C}$
- Program memory (ROM): 16 bit  $\times$  4096 steps
- Data memory (RAM): 4 bit  $\times$  256 words
- Instruction execution time: With crystal oscillator: 40  $\mu$ s  
 With CR oscillator: 6  $\mu$ s  
 (at 1 MHz,  $V_{DD} = 1.1\sim 1.8$  V)
- Crystal oscillator frequency: 75 kHz
- Stack level: 8
- General-purpose IF counter: 20 bit (CMOS input supported)
- A/D converter: 6 bit  $\times$  4-channel
- LCD driver: 1/4 duty, 1/2 bias, 72 segments (max)
- I/O port: CMOS I/O ports: 12  
 N-channel open drain I/O ports: 16 (max)  
 Output-only port: 1  
 Input-only ports: 3 (max)
- Timer/counter: 8 bit (as timer clock: INTR1/INTR2, instruction cycle: 1 kHz selectable)
- Pulse counter: 8 bit up/down counter (input via INTR2 pin)
- Buzzer: Built-in four mode: 0.625~3 kHz (8 types), Continuous, Single-Shot,  
 10 Hz Intermittent, or 10 Hz Intermittent 1 Hz Interval
- Interrupts: 2 external, 2 internal (serial interface, 8 bit timer)
- Package: QFP-64 (0.5 mm/0.65 mm pitch, 1.4 mm thick)



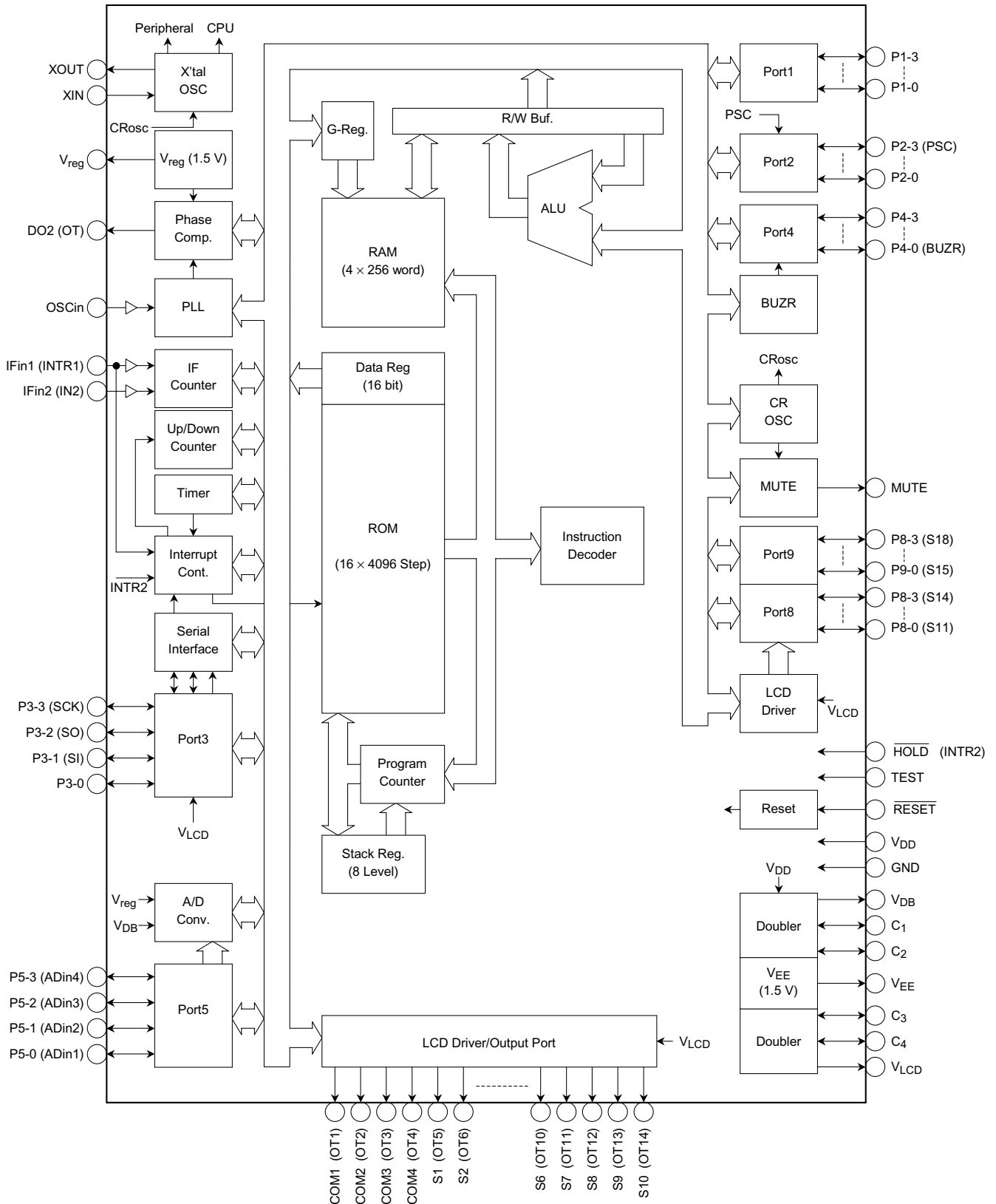
### Weight

LQFP64-P-1010-0.50	: 0.32 g (typ.)
QFP64-P-1212-0.65	: 0.45 g (typ.)

## Pin Assignment (top view)



Block Diagram



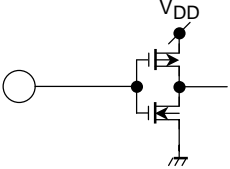
## Description of Pin Function

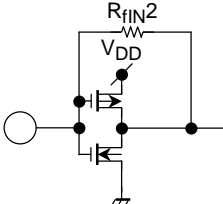
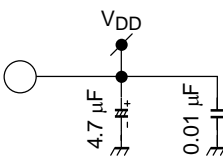
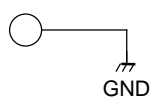
Pin No.	Symbol	Pin Name	Function and Operation	Remarks
1	COM1/OT1	LCD common output/Output port	Output common signals to LCD panels. Through a matrix with pins S1 to S22, a maximum 88 segments can be displayed.	
2	COM2/OT2		Three levels, $V_{LCD}$ , $V_{EE}$ , and GND, are output at 62.5 Hz every 2 ms.	
3	COM3/OT3		$V_{EE}$ is output after system reset and CLOCK STOP are released, and a common signal is output after the DISP OFF bit is set to "0".	
4	COM4/OT4		These pins can be programmed as output ports (Note 1).	
5~14	S1/OT5~ S10/OT14	LCD segment output/Output port	Segment signal output terminals for LCD panel. Together with COM1 to COM4, a matrix is formed that can display a maximum of 72 segments. $V_{EE}$ is output after system reset and CLOCK STOP are released, and a common signal is output after the DISP OFF bit is set to "0".  All pins from S1 to S10 can be programmed as output ports (Note 1), and all pins from S11 to S18 as I/O ports, in units of pins.	
15~22	P8-0/S13~ P9-3/S18	LCD segment output/ I/O port 8, 9	When the pins function as output ports, $V_{LCD}$ pin potential and GND potential are output to them. When the pins function as I/O ports, drain output is N-ch open. Because power is supplied from $V_{LCD}$ for the I/O ports, up to $V_{LCD}$ voltage (3 V) can be applied.  These data ports (OT1 to OT14) are incremented by 1 by instruction every time data are accessed. Therefore, they can be used for external memory address signals, facilitating data access.  Note: After system reset, the output port pins are set to LCD output, the I/O port pins to I/O port input.	
23~26	P1-0~P1-3	I/O port 1	The input and output of these 4 bit I/O ports can be programmed in 1 bit units.  These pins can be programmed to be pulled up or down. Thus, they can be used as key input pins. By altering the input of I/O ports set to input, the CLOCK STOP mode or the WAIT mode can be released, and the MUTE bit of the MUTE pin can be set to "1".	

Note 1: When the LCD pin is set as an output port, the "H" level output is the doubled voltage  $V_{LCD}$ . Therefore, disconnect the voltage doubler boosting capacitor but connect the  $V_{LCD}$  pin to the  $V_{DD}$  pin.

Pin No.	Symbol	Pin Name	Function and Operation	Remarks
50~52	P2-0~P2-2	I/O port 2	The input and output of these 4 bit I/O ports can be programmed in 1 bit units.	
53	P2-3/PSC	I/O port 2 /Prescaler /PSC output	The P2-3 pin is also used as a PLL prescaler PSC signal output pin. A PLL can be configured using an external prescaler. In such a case, set the pin to I/O port output.	
42~45	P3-0 P3-1/SI P3-2/SO P3-3/SCK	I/O port 3 /Serial data input /Serial data output /Serial clock I/O	<p>4 bit I/O ports, allowing input and output to be programmed in 1 bit units. The I/O ports are N-ch open drain.</p> <p>Up to 3.6 V can be input. Even at low voltage, N-ch high output current (2 mA typ.) can be obtained.</p> <p>These pins also function as serial interface circuit (SIO) input/output pins.</p> <p>There are two types of serial interface circuit: SIO1 allows 4 or 8 bit input/output and SIO2 allows 26 bit serial data input. SIO1 inputs data of SI pin serially with the edge of the clock of SCK pin, and outputs it to SO pin.</p> <p>Internal (SCK = 37.5 kHz) or external, or rising/falling shift can be selected as the clock (SCK) for serial operation. The SO pin can be switched to serial input (SI), facilitating LSI control and communication between controllers.</p> <p>Setting "1" in the SIO2 bit sets the SCK pin to the SIO2 clock input and the SI/SO pin to SIO2 data input. A synchronization circuit is built-in for SIO2.</p> <p>When SIO interrupts are enabled, an interrupt is generated after SIO execution or by SIO2 operating clock input and the program jumps to address 4.</p> <p>All SIO inputs use built-in Schmitt circuits.</p> <p>SIO and all controls are programmable.</p>	<p>Input instruction (P3-0)</p> <p>Input instruction + SIOon (P3-1~P3-3)</p>
28	P4-0/BUZR	I/O port 4 /Buzzer output	<p>4-bit I/O ports, allowing input and output to be programmed in 1-bit units.</p> <p>The P4-0 pin is also used for buzzer output.</p> <p>The buzzer output can select 8 kinds of 0.625 to 3 kHz frequencies with 4 modes: continuous output, single-shot output, 10 Hz intermittent output, and 10 Hz intermittent 1 Hz interval output.</p>	
29~31	P4-1~P4-3	I/O port 4	SIO, buzzer, and all associated controls can be programmed.	

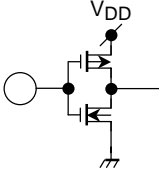
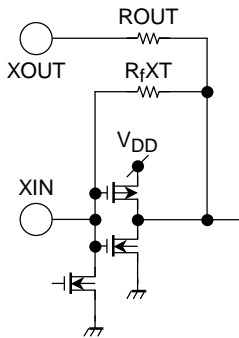
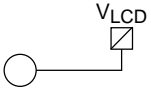
Pin No.	Symbol	Pin Name	Function and Operation	Remarks
46~49	P5-0/AD <sub>in1</sub> ~ P5-3/AD <sub>in4</sub>	I/O port 5 /AD analog voltage input	<p>4-bit I/O ports, allowing input and output to be programmed in 1 bit units.</p> <p>Pins P5-0 to P5-3 can also be used for analog input to the built-in 6 bit, 4-channel AD converter.</p> <p>The conversion time of the built-in AD converter using the successive comparison method is 280 μs. The necessary pin can be programmed to AD analog input in 1 bit units. Up to the doubled voltage <math>V_{DB}</math> (<math>V_{DD} \times 2</math>) can be input as the AD input voltage.</p> <p>I/O ports are N-ch open drain output. Up to the <math>V_{DB}</math> voltage can be applied to the AD input pins.</p> <p>The AD converter and all associated controls are performed via software.</p>	
32	MUTE	Muting output port	<p>1 bit output port, normally used for muting control signal output.</p> <p>This pin can set the internal MUTE bit to "1" according to a change in the input of I/O port 1 and HOLD. MUTE bit output logic can be changed.</p> <p>The internal CR oscillator clock can be output depending on the contents of the test port.</p>	
33	TEST	Test mode control input	<p>Input pin used for controlling TEST mode.</p> <p>"H" (high) level indicates TEST mode, while "L" (low) indicates normal operation.</p> <p>The pin is normally used at low level or in NC (no connection) state. (A pull-down resistor is builtin).</p>	

Pin No.	Symbol	Pin Name	Function and Operation	Remarks
34	$\overline{\text{HOLD}}$ /INTR2 /PCTRin	Hold mode control input  /External interrupt input  /Plus count input	<p>Input pin for request/release hold mode.</p> <p>Normally, this pin is used to input radio mode selection signals or battery detection signals.</p> <p>Hold mode includes CLOCK STOP mode (stops crystal oscillation) and WAIT mode (halts CPU). Setting is implemented with the CKSTP instruction or the WAIT instruction.</p> <p>To request Clock Stop mode, either L-level detection on the <math>\overline{\text{HOLD}}</math> pin or forced execution can be programmed. The mode is released by H-level detection on the <math>\overline{\text{HOLD}}</math> pin or input change, respectively. Executing the CKSTP instruction stops the clock generator and the CPU, entering memory backup state. In memory backup state, current dissipation becomes low (1 <math>\mu\text{A}</math> or less) and the display output/CMOS output ports automatically become L level and N-ch open drain output Off.</p> <p>Regardless of this input state, Wait mode is executed in order to lower power dissipation. Either crystal oscillator only in operation or CPU suspension can be programmed. For crystal oscillator only in operation, all displays are at L level and other pins are in hold state. For CPU suspension, the CPU stops and all others retain their states. Wait mode is released by changing <math>\overline{\text{HOLD}}</math> input.</p> <p>The P34 pin is also used for external interrupt input. When interrupts are enabled and a 13.3 to 26.7 <math>\mu\text{A}</math> pulse or longer is input to the pin, interrupt INTR1/2 is generated and the program jumps to address 1/2. Input logic or rising/falling edge can be selected for each input interrupt.</p> <p>The internal 8 bit timer clock input can be selected as input to the pins. When the count value reaches the specified value, an interrupt is generated (address 4).</p> <p>The pin is also used for input of an 8 bit pulse counter. Input rising/falling or upcount/downcount can be selected for the counter.</p>	

Pin No.	Symbol	Pin Name	Function and Operation	Remarks
35 36	IFin1/INTR1 IFin2/IN2	IF signal 1 input /External interrupt input  IF signal 2 input /Input port	<p>IF signal input pin for the IF counter to count the IF signals of the FM and AM bands and to detect the automatic stop position.</p> <p>The input frequency is between 0.3 to 12 MHz. A built-in input amp. and C coupling allow operation at low-level input.</p> <p>The IF counter is a 20 bit counter with optional gate times of 1, 4, 16 and 64 ms. 20 bits of data can be readily stored in memory. In Manual mode, gate On/Off or CR oscillator clock frequency count can be performed using an instruction.</p> <p>The input pin can be programmed for use as an input port (IN port). In this case, the pins are CMOS input. They can count input clocks using the IF counter.</p> <p>IFin1 also functions as an external interrupt input pin. When interrupts are enabled and a 13.3 to 26.7 <math>\mu</math>A pulse or longer is input to IFin1, an interrupt is generated and the program jumps to address 1. Input logic or rising/falling edge can be selected for the input interrupt. The internal 8 bit timer clock input can be selected as input to the pin. When the count value reaches the specified value, an interrupt is generated (address 4).</p> <p>Note: When a pin is set to IF input, the input is at high impedance in PLL Off mode or if the pins are not used for input.</p>	
27, 39	V <sub>DD</sub>	Power-supply pins	<p>Pins to which power is applied.</p> <p>Normally, V<sub>DD</sub> = 0.9~1.8 V is applied. For the PLL, power for the prescaler in the programmable counter block and IF input amp can be individually programmed. By switching to different modes depending on the power supply voltage and the frequency used, current dissipation can be lowered.</p> <p>Connect a stabilizing capacitor between the V<sub>DD</sub> pin and GND (4.7 <math>\mu</math>F, 0.01 <math>\mu</math>F typ.).</p> <p>In backup state (at execution of the CKSTP instruction), current dissipation drops (1 <math>\mu</math>A or less) and the power supply voltage can be reduced to 0.75 V.</p>	
37, 57	GND		<p>If more than 0.9 V is applied when the pin voltage is 0, the device system is reset and the program starts from address "0". (Power on reset)</p> <p>Note: To operate the power on reset, the power supply should start up in 10~100 ms.</p> <p>Note: The power-on reset function can be enabled/disabled using the AI switch.</p>	



Pin No.	Symbol	Pin Name	Function and Operation	Remarks
38	OSCin	local oscillation signal input	<p>For FM input, mode can be switched between 1/2 + Pulse Swallow VHF and FM mode. For AM input, mode can be switched between Pulse Swallow (HF) and Direct Dividing (LF) mode.</p> <p>Normally, local oscillation output (Voltage-Controlled Oscillator: VCO output) of 80 to 230 MHz is input in VHF mode; 60 to 130 MHz in FM mode; 1 to 30 MHz in HF mode; 0.5 to 8 MHz in LF mode.</p> <p>A PLL can be configured using an external prescaler. In such a case, set the pin to LF, and connect the prescaler divider output to the OSCin input pin and the PSC input to the P2-3 (PSC) output pin.</p> <p>With an input amp incorporated, capacitive-coupling, small-amplitude operation.</p> <p>Note: The input is at high impedance in PLL Off mode.</p>	
40	DO/OT	Phase comparator output/output port	<p>PLL phase comparator output pins.</p> <p>Tristate output. When the program counter divider output is higher than the reference frequency, H level is output; when lower, L level; and when they match, high impedance. For the phase comparator power supply, a 1.5 V constant voltage supply (<math>V_{reg}</math> pin) is used. Even if the power supply voltage drops, a stable PLL can be configured.</p> <p>The DO/OT pin can be programmed to high impedance or as an output port (OT).</p> <p>Note: For tristate output, the H-level output uses a constant voltage supply. When H-level output current is required, Toshiba recommend using an external power supply.</p>	
41	$V_{reg}$	Phase comparator constant voltage supply	<p>Phase comparator constant voltage supply.</p> <p>When the phase comparator output is tristate output, a constant voltage supply of 1.5 V (typ.) is output to the pin. For this output, connect a stabilizing capacitor (0.47 <math>\mu</math>F typ.). Constant voltage On/Off can be programmed.</p> <p>Because half the voltage potential can be switched to AD converter A/D input, it can be used to detect how much battery remains.</p> <p>At PLL operation, the constant voltage is used for H level phase comparator output. Thus, when H level output current is required, Toshiba recommend using an external power supply. Externally apply 1.8 to 3.6 V to the pin.</p>	

Pin No.	Symbol	Pin Name	Function and Operation	Remarks
54	$\overline{\text{RESET}}$	Reset input	<p>Input pin for system reset signals.</p> <p><math>\overline{\text{RESET}}</math> takes place while at low level; at high level, the program starts from address "0".</p> <p>Normally, if more than 0.9 V is supplied to <math>V_{DD}</math> when the voltage is 0, the system is reset (power on reset). Accordingly, this pin should be set to high level during operation.</p> <p>Note: When the power-on reset function is disabled by the AI switch, input L level at power on.</p>	
55	XOUT	Crystal oscillator pin	<p>Crystal oscillator pins.</p> <p>A reference 75 kHz crystal resonator is connected to the XIN and XOUT pins. (<math>C_i = C_o = 10 \text{ pF}</math>)</p> <p>The oscillator stops oscillating during CKSTP instruction execution.</p> <p>The VXT pin is the power supply for the crystal oscillator. A stabilizing capacitor (0.47 <math>\mu\text{F}</math> typ.) is connected.</p>	
56	XIN			
58	$V_{DB}$	Voltage doubler boosting output pins	<p>Voltage doubler boosting output pins.</p> <p>The <math>V_{DB}</math> pin doubles the <math>V_{DD}</math> pin voltage using the voltage doubler boosting capacitor between <math>C_1</math> and <math>C_2</math>. The doubled voltage is used for the AD converter and constant voltage circuit (<math>V_{reg}</math>, <math>V_{EE}</math>) power supply.</p> <p>The <math>V_{EE}</math> pin supplies a constant voltage of 1.5 V from the <math>V_{DB}</math> voltage. The voltage is doubled (to 3 V) using the voltage doubler boosting capacitor between <math>C_3</math> and <math>C_4</math>. The doubled voltage is then supplied to the <math>V_{LCD}</math> pin. The <math>V_{EE}</math> potential and the <math>V_{LCD}</math> potential are used to drive the LCD.</p> <p>Connect a stabilizing capacitor between the <math>V_{DB}</math> pin and GND (0.1 <math>\mu\text{F}</math>, 10 <math>\mu\text{F}</math> typ.), and between the <math>V_{LCD}</math> pin and GND (0.1 <math>\mu\text{F}</math> typ.). Connect a voltage doubler boosting capacitor (0.1 <math>\mu\text{F}</math> typ.) between <math>C_1</math> and <math>C_2</math>, and between <math>C_3</math> and <math>C_4</math>. (Note 1)</p>	
59	$C_1$			
60	$C_2$			
61	$V_{EE}$			
62	$C_3$			
63	$C_4$			
64	$V_{LCD}$			

Note 1: When the LCD pin is set as an output port, the "H" level output is the doubled voltage  $V_{LCD}$ . Therefore, disconnect the voltage doubler boosting capacitor but connect the  $V_{LCD}$  pin to the  $V_{DD}$  pin.

## Description of Operations

### ○ CPU

The CPU consists of a program counter, a stack register, ALU, a program memory, a data memory, G-register, a data register, DAL address register, carry F/F, a judgment circuit, and an interruption circuit.

#### 1. Program Counter (PC)

The program counter consists of a 14-bit binary up-counter and addresses the program memory (ROM). The counter is cleared when the system is reset and the programs start from the 0 address.

Under normal conditions, the counter is increased in increments of one whenever an instruction is executed, but the address specified in the instruction operand is loaded when a JUMP instruction or CALL instruction is executed.

Also, when an instruction that is equipped with the skip function (AIS, SLTI, TMT, RNS instructions, etc.) is executed and result of this includes a skip condition, the program counter is increased in increments of two and the subsequent instruction is skipped. Furthermore, if interruption is received, the vector address corresponding to each interruption is loaded.

Note: Program memory (ROM) It is 0000H-0FFFH address.

For this reason, an access setup to the address beyond this is forbidden.

Instruction	Contents of Program Counter (PC)													
	PC13	PC12	PC11	PC10	PC9	PC8	PC7	PC6	PC5	PC4	PC3	PC2	PC1	PC0
JUMP ADDR1	← Operand of instruction (ADDR1) →													
JUMP ADDR2	0	0	0	← Operand of instruction (ADDR2) →										
Power on reset RESET by reset pin	0	0	0	0	0	← Operand of instruction (ADDR3) →					← Contents of general register (r) →			
DAL (DA) (DAL bit = 1)	← DAL address register (DA) →													
RN, RNS, RNI	← Contents of stack register →													
At the time of an interruption reception	← Vector address of each interruption →													
Power on reset RESET by reset pin	0	0	0	0	0	0	0	0	0	0	0	0	0	0

Priority	Interruption Factor	Vector Address
1	INTR1 pin	0001H
2	INTR2 pin	0002H
3	Serial inter face	0003H
4	Timer counter	0004H

#### 2. Stack Register

A register consisting of  $8 \times 14$  bits which stores the contents of the program counter +1 (the return address) when a sub-routine call instruction is executed. The contents of the stack register are loaded into the program counter when the return instruction (RN, RNS, RNI instruction) is executed.

There are eight stack levels available and nesting occurs with both levels.

### 3. ALU

ALU is equipped with binary 4-bit parallel add/subtract functions, logical operation, comparison and multiple bit judgment functions. This CPU is not equipped with an accumulator, and all operations are handled directly within the data memory.

### 4. Program Memory (ROM)

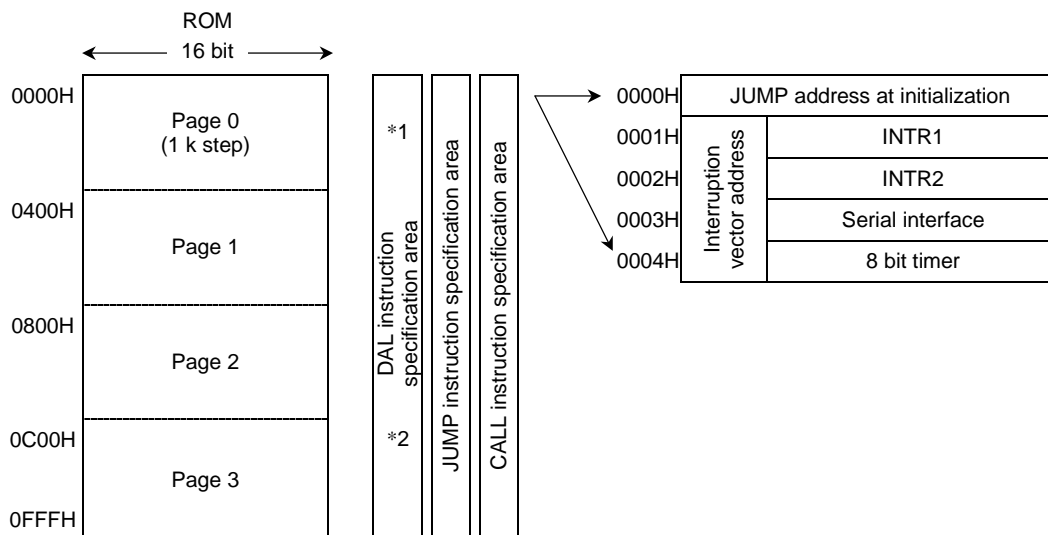
The program memory consists of 16 bits × 4096 steps and is used for storing programs. The usable address range consists of 4096 steps between address 0000H and 0FFFH.

The program memory is divided into 4096 separate steps and consists of page 0 to 3. The JUMP instruction and CALL instruction can be freely used throughout all 4096 steps.

In case of setting DAL bit (it arranges on I/O map) "0" (DAL ADDR3, (r) command), the program memory address 0000H to 03FFH (page 0) are used as data area and setting DAL bit "1" (DAL (DA) command), the program memory address 0000H to 0FFFH (page 0 to 3) are used as data area. The 16 bit contents of this can be loaded into the data register by executing the DAL instruction.

Note: An address outside of the program loop must be set when establishing a data area within the program memory.

Time JUMP point address of initialization



\*1: DAL bit = DAL access area at setting "0"

\*2: DAL bit = DAL access area at setting "1"

Note: DAL bit is arranged on I/O map.

## 5. Data Memory (RAM)

The data memory consists of 4 bit × 256 words and used for storing data. These 256 words are expressed in row address (4 bits) and column addresses (4 bits). 192 words (row address = address 004H to 00FH) within the data memory are addressed indirectly by the G-register. Owing to this, it is necessary to specify the row address with the G-register before the data in this area can be processed.

The address 00H to 0FH within the data memory are known as general registers, and these can be used simply by specifying the relevant column address (4 bit). These sixteen general registers can be used for operations and transfers with the data memory, and may also be used as normal data memories.

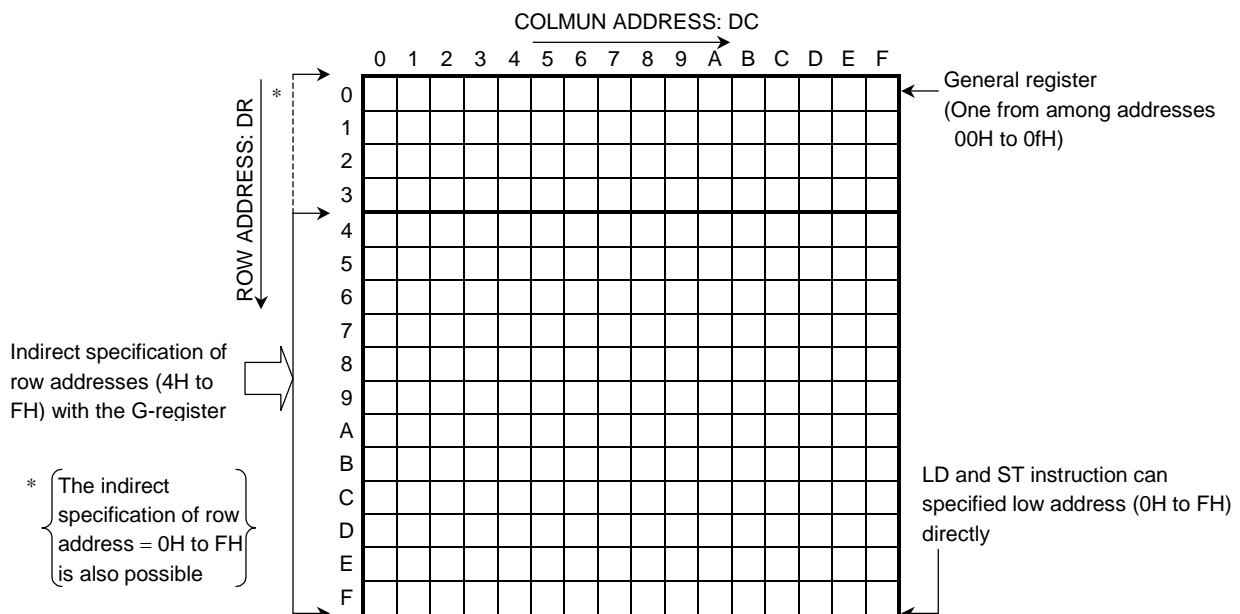
Note: The column address (4 bit) that specifies the general register is the register number of the general register.

Note: All row address (addresses 0H to FH) can be specified indirectly with the G-register.

Note: The data memory is 256 words and 2 bits of the 6-bit higher ranks of G-register low address are used "0" (00H -0FH address).

Note: By using LD and ST instruction, it can be addressed directly in 256 words (low address = 00H to 0FH) in a data memory.

LD and ST command are a low address.  
(0H-FH) up to -- direct specification can be carried out



## 6. G-Register (G-REG)

The G-register is a 4 bits register used for addressing the low addresses (DR = 4H to FH addresses) of the data memory's 192 words.

The contents of this register are validated when the MVGD instruction or MVGS instruction are executed, and not affected through the execution of any other instructions. This register is used as one of the ports, and the contents are set when the OUT1 instruction from among the I/O instructions is executed. The 6-bit contents can be directly set by execution of STIG instruction.  
(→ Refer to section in Register Ports.)

## 7. Data Register (DATA REG)

The data register consists of  $1 \times 16$  bits and loads 16 bits of optional address data. This register is used as one of the ports, and the contents are loaded into the data memory in units of 4 bits when IN1 instruction from among the I/O instruction is executed. (→ Refer to section #1 in Register Ports.)

Moreover, this register is also possible to writing from data memory and uses it for evacuation/return processing of the data at the time of interruption.

## 8. DAL Address Register (DA)

The data register consists of  $1 \times 14$  bits.

If DAL instruction is executed when the DAL bit is set to "1", 16 bits of the data of the free addresses in the program memory specified by this DAL address register are loaded. By the setting (DATA) → DA bit to "1", the contents of data register (DATA REG) can be transmitted to DAL address register (DA).

This register and a control bit are treated as a port, and are accessed by IN3/OUT3 instruction of an input-and-output instruction. (→ Refer to register port item)

## 9. Carry F/F (Ca Flag)

This is set when either Carry or Borrow are issued in the result of calculation instruction execution and is reset if neither of these are issued.

The contents of carry F/F can only be amended through the execution addition, subtraction, CLT, CLTC instructions and not affected by the execution of any other instruction.

The carry F/F can be accessed by IN1/OUT1 instruction of an input-and-output instruction. For this reason, an input-and-output command performs the evacuation and the return at the time of interruption between data memories. (Refer to register port item)

## 10. Judgment Circuit (J)

This circuit judges the skip conditions when an instruction equipped with the skip function is executed. The program counter is increased in increments of two when the skip conditions are satisfied, and the subsequent instruction is skipped.

There are 15 instructions equipped with a wide variety of skip functions available. (→ Refer to the items marked with a "\*" symbol in the Table Instruction Functions and Operational Instructions)

## 11. Interruption Circuit

An interruption circuit branches to each vector address by the demand from circumference hardware, and performs each interruption processing. (→ Refer to interruption functional item)

## 12. Instruction Set Table

A total of 57 instruction sets are available, and all of these are single-word instructions. These instructions are expressed with 6 bit instruction codes.

High order 2 bit Low order 4 bit		00		01		10		11	
		0		1		2		3	
0000	0	AI	M, I	TMTR	r, M	JUMP ADDR1	SLTI	M, I	
0001	1	AIC	M, I	TMFR	r, M		SGEI	M, I	
0010	2	SI	M, I	SEQ	r, M		SEQI	M, I	
0011	3	SIB	M, I	SNE	r, M		SNEI	M, I	
0100	4	ORIM	M, I	LD	r, M*		TMTN	M, N	
0101	5	ANIM	M, I				TMT	M, N	
0110	6	XORIM	M, I				TMFN	M, N	
0111	7	MVIM	M, I				TMF	M, N	
1000	8	AD	r, M	ST	M*, r		IN1	M, C	
1001	9	AC	r, M				IN2	M, C	
1010	A	SU	r, M				IN3	M, C	
1011	B	SB	r, M			OUT1	M, C		
1100	C	ORR	r, M	CLT	r, M	CAL ADDR2	OUT2	M, C	
1101	D	ANDR	r, M	CLTC	r, M		OUT3	M, C	
1110	E	XORR	r, M	MVGD	r, M		DAL	ADDR3, r	
1111	F	MVSR	M1, M2	MVGS	M, r		SHRC	M	
							RORC	M	
							STIG	I*	
							SKP, SKPN		
							RN, RNS		
WAIT	P								
CKSTP									
XCH	M								
DI, EI, RNI									
NOOP									

## 13. Table of Instruction Functions and Operational Instructions

## (Description of the symbols used in the table)

M	; Data memory address. Generally one of the addresses from among addresses 00H to 3FH in the data memory.
M*	; Data memory address (256 words) One of the addresses from among addresses 000H to 0FFH in the data memory. (Effective only at the time of ST and LD instruction execution)
r	; General register One of the addresses from among addresses 00H to 00FH in the data memory.
PC	; Program Counter (14 bits)
STACK	; Stack register (14 bits)
G	; G-register (6 bits)
DATA	; Data register (16 bits)
I	; Immediate data (4 bits)
I*	; Immediate data (6 bits, Effective only at the time of STIG instruction execution)
N	; Bit position (4 bits)
—	; ALL "0"
C	; Port code No. (4 bits)
CN	; Port code No. (4 bits)
RN	; General register No. (4 bits)
ADDR1	; Program memory address (14 bits)
ADDR2	; Program memory address within page 0 to 3 (12 bits)
ADDR3	; High order 6 bit of the program memory address within page 0.
DA	; DAL address register (14bits, Effective only DAL instruction at the time of DAL bits is set to "1")
Ca	; Carry
CY	; Carry flag
P	; Wait condition
b	; Borrow
IN1~IN3	; The ports used during the execution of instructions IN1 to IN3
OUT1~OUT3	; The ports used during the execution of instructions OUT1 to OUT3
()	; Contents of the register or data memory
[] C	; Contents of the port indicating code No. C (4 bits)
[]	; Contents of the data memory indicating the contents of the register or data memory
[] P	; Contents of the program memory (16 bits)
IC	; Instruction code (6 bits)
*	; Commands equipped with the skip function
DC	; Data memory column address (4 bits)
DR	; Data memory row address (2 bits)
DR*	; Data memory row address (4bits, Effective only at the time of ST and LD instruction execution)
(M) b0~(M) b3	; Bits data of the contents of a data memory (1 bit)



Instruc- tion Group	Mnemonic	Skip Function	Function Description	Operation Description	Machine Language (16 bits)				
					IC (6 bits)	A (2 bits)	B (4 bits)	C (4 bits)	
Addition Instructions	AI	M, I		Add immediate data to memory	$M \leftarrow (M) + I$	000000	DR	DC	I
	AIC	M, I		Add immediate data to memory with carry	$M \leftarrow (M) + I + ca$	000001	DR	DC	I
	AD	r, M		Add memory to general register	$r \leftarrow (r) + (M)$	001000	DR	DC	RN
	AC	r, M		Add memory to general register with carry	$r \leftarrow (r) + (M) + ca$	001001	DR	DC	RN
Subtraction Instructions	SI	M, I		Subtract immediate data from memory	$M \leftarrow (M) - I$	000010	DR	DC	I
	SIB	M, I		Subtract immediate data from memory with borrow	$M \leftarrow (M) - I - b$	000011	DR	DC	I
	SU	r, M		Subtract memory from general register	$r \leftarrow (r) - (M)$	001010	DR	DC	RN
	SB	r, M		Subtract memory from general register with borrow	$r \leftarrow (r) - (M) - b$	001011	DR	DC	RN
Comparison Instructions	SLTI	M, I	*	Skip if memory is less than immediate data	Skip if $(M) < I$	110000	DR	DC	I
	SGEI	M, I	*	Skip if memory is greater than or equal to immediate data	Skip if $(M) \geq I$	110001	DR	DC	I
	SEQUI	M, I	*	Skip if memory is equal to immediate data	Skip if $(M) = I$	110010	DR	DC	I
	SNEI	M, I	*	Skip if memory is not equal to immediate data	Skip if $(M) \neq I$	110011	DR	DC	I
	SEQ	r, M	*	Skip if general register is equal to memory	Skip if $(r) = (M)$	010010	DR	DC	RN
	SNE	r, M	*	Skip if general register is not equal to memory	Skip if $(r) \neq (M)$	010011	DR	DC	RN
	CLT	r, M		Set carry flag if general register is less than memory, or reset if not	$(CY) \leftarrow 1$ if $(r) < (M)$ or $(CY) \leftarrow 0$ if $(r) \geq (M)$	011100	DR	DC	RN
	CLTC	r, M		Set carry flag if general register is less than memory with carry or reset if not	$(CY) \leftarrow 1$ if $(r) < (M) + (ca)$ or $(CY) \leftarrow 0$ if $(r) \geq (M) + (Ca)$	011101	DR	DC	RN

Instruc- tion Group	Mnemonic	Skip Function	Function Description	Operation Description	Machine Language (16 bits)			
					IC (6 bits)	A (2 bits)	B (4 bits)	C (4 bits)
Transfer Instructions	LD	r, M*	Load memory to general register	$r \leftarrow (M^*)$	0101	DR* (4 bits)	DC	RN
	ST	M*, r	Store memory to general register	$M^* \leftarrow (r)$	0110	DR* (4 bits)	DC	RN
	MVSR	M1, M2	Move memory to memory in same row	$(DR, DC1) \leftarrow (DR, DC2)$	001111	DR	DC1	DC2
	MVIM	M, I	Move immediate data to memory	$M \leftarrow I$	000111	DR	DC	I
	MVGD	r, M	Move memory to destination memory referring to G-register and general register	$[(G), (r)] \leftarrow (M)$	011110	DR	DC	RN
	MVGS	M, r	Move source memory referring to G-register and general register to memory (Note)	$(M) \leftarrow [(G), (r)]$	011111	DR	DC	RN
	STIG	I*	Move immediate data to G-register	$G \leftarrow I^*$	111111	I*		0010
I/O Instructions	IN1	M, C	Input IN1 port data to memory	$M \leftarrow [IN1] C$	111000	DR	DC	CN
	OUT1	M, C	Output contents of memory to OUT1 port	$[OUT1] C \leftarrow (M)$	111011	DR	DC	CN
	IN2	M, C	Input IN2 port data to memory	$M \leftarrow [IN2] C$	111001	DR	DC	CN
	OUT2	M, C	Output contents of memory to OUT2 port	$[OUT2] C \leftarrow (M)$	111100	DR	DC	CN
	IN3	M, C	Input IN3 port data to memory	$M \leftarrow [IN3] C$	111010	DR	DC	CN
	OUT3	M, C	Output contents of memory to OUT3 port	$[OUT3] C \leftarrow (M)$	111101	DR	DC	CN
Logical Poeration Instructions	ORR	r, M	Logical OR of general register and memory	$r \leftarrow (r) \vee (M)$	001100	DR	DC	RN
	ANDR	r, M	Logical AND of general register and memory	$r \leftarrow (r) \wedge (M)$	001101	DR	DC	RN
	ORIM	M, I	Logical OR of memory and immediate data	$M \leftarrow (M) \vee I$	000100	DR	DC	I
	ANIM	M, I	Logical AND of memory and immediate data	$M \leftarrow (M) \wedge I$	000101	DR	DC	I
	XORIM	M, I	Logical exclusive OR of memory and immediate data	$M \leftarrow (M) \vee I$	000110	DR	DC	I
	XORR	r, M	Logical exclusive OR of general register and memory	$r \leftarrow (r) \vee (M)$	001110	DR	DC	RN

Note: The execution time for the MVGS instruction is two machine cycles.

Instruc- tion Group	Mnemonic	Skip Function	Function Description	Operation Description	Machine Language (16 bits)			
					IC (6 bits)	A (2 bits)	B (4 bits)	C (4 bits)
Bit Judgement Instruction	TMTR r, M	*	Test general register bits by memory bits, then skip if all bits specified are true	Skip if r [N (M)] = all "1"	010000	DR	DC	RN
	TMFR r, M	*	Test general register bits by memory bits, then skip if all bits specified are false	Skip if r [N (M)] = all "0"	010001	DR	DC	RN
	TMT M, N	*	Test memory bits, then skip if all bits specified are true	Skip if M (N) = all "1"	110101	DR	DC	N
	TMF M, N	*	Test memory bits, then not skip if all bits specified are false	Skip if M (N) = all "0"	110111	DR	DC	N
	TMTN M, N	*	Test memory bits, then not skip if all bits specified are true	Skip if M (N) = not all "1"	110100	DR	DC	N
	TMFN M, N	*	Test memory bits, then not skip if all bits specified are false	Skip if M (N) = not all "0"	110110	DR	DC	N
	SKP	*	Skip if carry flag is true	Skip if (CY) = 1	111111	00	—	0011
	SKPN	*	Skip if carry flag is false	Skip if (CY) = 0	111111	01	—	0011
SUB = Routine Instructions	CAL ADDR2		Call subroutine	STACK ← (PC) + 1 and PC ← ADDR2	1011	ADDR2 (12 bits)		
	RN		Return to main routine	PC ← (STACK)	111111	10	—	0011
	RNS		Return to main routine and skip unconditionally	PC ← (STACK) and skip	111111	11	—	0011
JUMP Instructions	JUMP ADDR1		Jump to address specified	PC ← ADDR1	10	ADDR1 (14 bits)		
Interruption Instruction	DI		Reset IMF (Note)	IMF ← 0	111111	00	—	0111
	EI		Set IMF (Note)	IMF ← 1	111111	01	—	0111
	RNI		Return to main routine and set IMF (Note)	PC ← (STACK) IMF ← 1	111111	11	—	0111

Note: IMF bits is an interruption master permission flag and is arranged on I/O map.  
 (→ Refer to interruption function)

Instruc- -tion Group	Mnemonic	Skip Function	Function Description	Operation Description	Machine Language (16 bits)			
					IC (6 bits)	A (2 bits)	B (4 bits)	C (4 bits)
Other Instructions	SHRC M		Shift memory bits to right direction with carry	0 → (M) b3 → (M) b2 → (M) b1 → (M) b0 → (CY)	111111	DR	DC	0000
	RORC M		Rotate memory bits to right direction with carry	 (M) b3 → (M) b2 → (M) b1 → (M) b0 → (CY)	111111	DR	DC	0001
	XCH M		Exchange memory bits mutually	(M) b3 ↔ (M) b0, (M) b2 ↔ (M) b1	111111	DR	DC	0110
	DAL ADDR3, r		IF DAL bit = 0 then load program in page 0 to DATA register IF DAL bit = 1 then load program memory referring to DAL address register to DATA register (Note)	DATA ← [ADDR3 + (r)] p in page 0	111110	ADDR3 (6 bits)		RN
	WAIT P		At P = "0" H, the condition is CPU waiting (Soft wait mode) At P = "1" H, expect for clock generator, all function is waiting (Hard wait mode)	Wait at condition P	111111	P	—	0100
	CKSTP		Clock generator stop	Stop clock generator to MODE condition	111111	—	—	0101
	NOOP		No operation	—	111111	—	—	1111

Note: The four low order bits of the program memory's 10-bit address specified with the DAL instruction are addressed indirectly with the contents of the general register.

Note: The execution time for the DAL instruction is two machine cycles

Note: DAL bits and DAL address register (DA) is arranged on I/O map.  
(→ Refer to register port item)

Note: When "1" is set to DAL bit and DAL instruction is executed, all the operand part becomes invalid and reference address is used for DAL address register. To specify 0, 0 to be operand parts as dummy data at this time.

I/O Map (IN1 (M, C), IN2 (M, C), IN3 (M, C), OUT1 (M, C), OUT2 (M, C), OUT3 (M, C))

I/O Code	φL1				φL2				φL3				φK1				φK2				φK3							
	OUT1				OUT2				OUT3				IN1				IN2				IN3							
	Y1	Y2	Y4	Y8	Y1	Y2	Y4	Y8	Y1	Y2	Y4	Y8	Y1	Y2	Y4	Y8	Y1	Y2	Y4	Y8	Y1	Y2	Y4	Y8	Y1	Y2	Y4	Y8
0	HF	Power control		FM	I/O port 1 pull-down				I/O port 1				IF monitor				0	A/D data				I/O port 1						
		PW0	PW1		PD0	K1	PD2	PD3	-0	-1	-2	-3	BUSY	MANUAL	OVER	AD0		AD1	AD2	AD3	-0	-1	-2	-3				
1	Programmable counter 1				A/D control				I/O port 2				IF data 1				A/D data				I/O port 2							
	P0	P1	P2	P16	AD SEL0	AD SEL1	AD SEL2	STA	-0	-1	-2	-3	F0	F1	F2	F3	AD4	AD5	BUSY	0	-0	-1	-2	-3				
2	Programmable counter 2				Serial interface control 1				I/O port 3				IF data 2				A/D data				I/O port 3							
	P4	P5	P6	P7	edge	SCK-INV	SCK-I/O	SIO-ON	-0	-1	-2	-3	F4	F5	F6	F7					-0	-1	-2	-3				
3	Programmable counter 3				Serial interface control 2				I/O port 4				IF data 3				Serial interface monitor				I/O port 4							
	P8	P9	P10	P11	STA	SO-I/O	8/4 bit	SIO Select	-0	-1	-2	-3	F8	F9	F10	F11	BUSY	COUNT	SIO F/F	0	-0	-1	-2	-3				
4	Programmable counter 4				Serial interface output data 1				I/O port 5				IF data 4				Serial interface input data 1				I/O port 5							
	P12	P13	P14	P15	SO0	SO1	SO2	SO3	-0	-1	-2	-3	F12	F13	F14	F15	SI0	SI1	SI2	SI3	-0	-1	-2	-3				
5	Reference select		Programmable counter	Serial interface output data 2				I/O port 6				IF data 5				Serial interface input data 2				I/O port 6								
	R0	R1		R2	P16	SO4	SO5	SO6	SO7					F16	F17	F18	F19	SI4	SI5	SI6	SI7							
6	IF counter control 1			Programmable counter	Timer reset		CKSTP mode	Test port 2 #4	I/O port 7				IF data 6				Serial interface input data 3				I/O port 7							
	IF1/2	PW	IF1/INTR1		IF2/IN2	2 Hz F/F			Clock									Timer										
7	IF counter control 2				Interrupt control				I/O port 8				IF data 7				Serial interface input data 4				I/O port 8							
	STA/STP	MANIAL	G0	G1	POL1 (INTR1)	POL2 (INTR2)	IE	*	-0	-1	-2	-3	HOLD	INTR1	INTR2	0	Interrupt master flag IMF	0	0	0	-0	-1	-2	-3				
8	MUTE	MUTE control			Interrupt permission flag				I/O port 9				IF data 8				Serial interface input data 5				I/O port 9							
	I/O-1	POL	HOLD	EF1 (INTR1)	FE2 (INTR2)	FE3 (SIO)	FE4 (Timer)	-0	-1	-2	-3	MUTE	MUTE control			Interrupt permission flag				I/O port 9								
9	UNLOCK Detection	DO2 control			Interrupt latch reset				I/O port 10				IF data 9				Serial interface input data 6				I/O port 10							
	RESET	PN	M0	M1	ILR1 (INTR1)	ILR2 (INTR2)	ILR3 (SIO)	ILR4 (Timer)	HOLD PLL off control	IF counter Split	Prescaler IN	PSC ENA	Unlock detection	Input port			Interrupt latch				I/O port 10							
A	BUZZR output control 1				Timer counter Interrupt detection data1				I/O port 11				IF data 10				Serial interface input data 7				I/O port 11							
	BF0	BF1	BF2	BEN	ID0	ID1	ID2	ID3	DAL	(DATA) → DA	OT Count Up	port 1 Pull-up					Timer counter data 1				I/O port 11							
B	BUZZR output control 2				Timer counter Interrupt detection data2				I/O port 12				IF data 11				Serial interface input data 8				I/O port 12							
	BM0	BM1	BUZZR ON	POL	ID4	ID5	ID6	ID7	DA0	DA1	DA2	DA3					Timer counter data 2				I/O port 12							
C	CA Flag	*	*	*	Timer counter control				I/O port 13				IF data 12				Serial interface input data 9				I/O port 13							
					Data register 1				I/O port 14				IF data 13				Serial interface input data 10				I/O port 14							
D	G register 1				Data select				I/O port 15				IF data 14				Serial interface input data 11				I/O port 15							
	G0	G1	G2	G3	SEL1	SEL2	SEL4	SEL8	d4	d5	d6	d7	G0	G1	G2	G3	S1	S2	S3	S4	d4	d5	d6	d7				
E	G register 2				Segment data 1/ General purpose output data				I/O port 16				IF data 15				Serial interface input data 12				I/O port 16							
	G4	G5	*	*	COM1/OT	COM2/OT	COM3/OT	COM4/OT	d8	d9	d10	d11	G4	G5	0	0					d8	d9	d10	d11				
F	Test port 1				Segment data2/ Segment IO control				I/O port 17				IF data 16				Serial interface input data 13				I/O port 17							
	#0	#1	#2	#3	COM1	COM2	COM3	COM4	d12	d13	d14	d15									d12	d13	d14	d15				

Refer to next page

φKL2D

Data Select			
S1	S2	S4	S8

I/O	φL2E				φL2F			
	OUT2				OUT2			
φL2D	Y1	Y2	Y4	Y8	Y1	Y2	Y4	Y8
0	S1/OT1-OT4				S13			
	COM1 /OT1	COM2 /OT2	COM3 /OT3	COM4 /OT4	COM1	COM2	COM3	COM4
1	S2/OT5-OT8				S14			
	COM1 /OT5	COM2 /OT6	COM3 /OT7	COM4 /OT8	COM1	COM2	COM3	COM4
2	S3/OT9-OT12				S15			
	COM1 /OT9	COM2 /OT10	COM3 /OT11	COM4 /OT12	COM1	COM2	COM3	COM4
3	S4/OT13-OT14				S16			
	COM1 /OT13	COM2 /OT14	COM3	COM4	COM1	COM2	COM3	COM4
4	S5				S17			
	COM1	COM2	COM3	COM4	COM1	COM2	COM3	COM4
5	S6				S18			
	COM1	COM2	COM3	COM4	COM1	COM2	COM3	COM4
6	S7				Segment/I/O select			
	COM1	COM2	COM3	COM4	S11	S12	S13	S14
7	S8				Segment/I/O select			
	COM1	COM2	COM3	COM4	S15	S16	S17	S18
8	S9				I/O control 1			
	COM1	COM2	COM3	COM4	-0	-1	-2	-3
9	S10				I/O control 2			
	COM1	COM2	COM3	COM4	-0	-1	-2	-3
A	S11				I/O control 4			
	COM1	COM2	COM3	COM4	-0	-1	-2	-3
B	S12							
	COM1	COM2	COM3	COM4				
C								
D								
E								
F					LCD control			*
					DISP OFF	LCD OFF	OTB-UP	

φL3B				φK3B			
OUT3				IN3			
Y1	Y2	Y4	Y8	Y1	Y2	Y4	Y8
DAL address 1				DAL address 1			
DA0	DA1	DA2	DA3	DA0	DA1	DA2	DA3
DAL address 2				DAL address 2			
DA4	DA5	DA6	DA7	DA4	DA5	DA6	DA7
DAL address 3				DAL address 3			
DA8	DA9	DA10	DA11	DA8	DA9	DA10	DA11
DAL address 4				DAL address 4			
DA12	DA13	*	*	DA12	DA13	0	0
Pulse counter control				Pulse counter data			
DOWN	POL	*	*	PC0	PC1	PC2	PC3
Pulse counter control				Pulse counter data			
CTR RESET	OVER RESET	*	*	PC4	PC5	PC6	PC7
OSC control				Pulse counter data			
IFin	CPU Select	OSC on	Freq Select	OVER	0	0	0
OSC data				SIO2 decode data			
OSC0	OSC1	OSC2	OSC3	DEC0	DEC1	DEC2	DEC3
SIO2 data select	*			SIO2 information data 1			
				INF0	INF1	INF2	INF3
				SIO2 information data 2			
				INF4	INF5	INF6	INF7
				SIO2 information data 3			
Vreg ON	*	*	*	INF8	INF9	INF10	INF11
				SIO2 information data 4			
				INF12	INF13	INF14	INF15
				SIO2 offset/Check data 1			
				OFS0 /CHK0	OFS1 /CHK1	OFS2 /CHK2	OFS3 /CHK3
				SIO2 offset/Check data 2			
				OFS4 /CHK4	OFS5 /CHK5	OFS6 /CHK6	OFS7 /CHK7
				SIO2 offset/Check data 3			
				OFS8 /CHK8	OFS9 /CHK9	0	0

**I/O map**

All of the ports within the device are expressed with a matrix of six I/O instructions (OUT 1 to 3 instructions and IN 1 to 3 instructions) and a 4-bit code number.

The allocation of these ports is shown on the following page in the form of an I/O map. The ports used in the execution of the various I/O instructions on the horizontal axis of the I/O map are allocated to the port code numbers indicated on the vertical axis. The G-register, data register and DAL bits are also used as ports.

The OUT1 to 3 instructions are specified as output ports and the IN 1 to 3 instructions are specified as input ports.

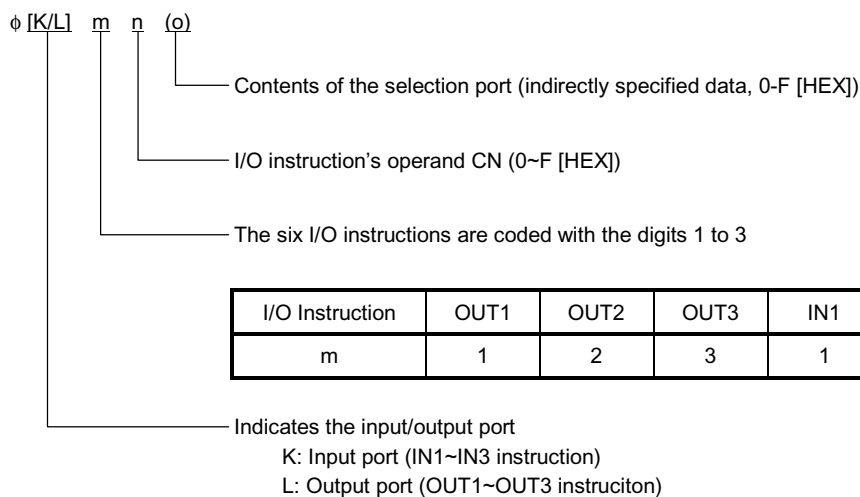
Note: The ports indicated by the angled lines on the I/O map do not actually exist within the device.

The contents of other ports and data memories are not affected when data is output to a non-existent output port with the execution of the output instruction. The data loaded from data memories when a non-existent input port has been specified with the execution of an input instruction becomes "1".

Note: The output ports marked with an asterisk (\*) on the I/O map are not used. Data output to these ports assume the don't care's status.

Note: The Y1 contents of the ports expressed in 4 bits correspond to the data memory data's low order bit and the Y8 contents correspond to the high order bits.

The ports specified with the six I/O instructions and code No. C are coded in the following manner:



(Example) The setting for the G-register is allocated to code "D" and "E" in the OUT1 instruction. The encoded expression at this time becomes "ϕL1D" and "ϕL1E".

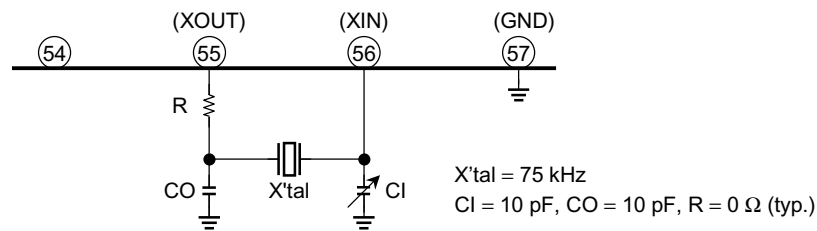
## Clock Generator

Clock generator generates the standard clock used as the standard of the system clock supplied to a core based CPU and circumference hardware.

By the program, a change can do an external crystal oscillation circuit and built-in CR oscillation circuit as a CPU operation clock.

### 1. Crystal Oscillation Circuit

75 kHz crystal resonator is connected to the device's crystal resonator terminal (XN, XOUT) as indicated below. Usually, the oscillation signal is supplied to the clock generator, the reference frequency divider and other elements, and generates the various CPU timing signals and reference frequency.



Note: It is necessary to use a crystal resonator with a low CI value and favorable start-up characteristics.

Please adjust and determine external resistance and the constant of a capacitor as the actually used crystal resonator.

### 2. CR VCO

If built-in CR VCO is used, the processing speed of CPU can be gathered and high-speed processing will use it for a required system. OSCon bit controls ON/OFF operation of CR oscillation circuit, and if setup of "1" to the bit, CR VCO starts operation.

Setting "0" to the CPU Select bits, CPU operate by 75 kHz for crystal oscillator clock, and if setting "1", it will operate with the clock of CR VCO. The oscillation frequency of CR VCO ( $f_{CR}$ ) is 1 MHz (typ.), the clock that the frequency divide for 1/2 or 1/4 can use as a CPU operation clock.

CR VCO frequency serves as the system, which can control resistance of CR VCO by the program, in order to change by factors, such as power supply voltage and the variation of built-in capacitor and resistance. For this reason, calculation of CR oscillation frequency by IF counter is made possible.

When using the frequency of CR VCO as a CPU clock, after controlling CR VCO resistance and adjusting it to the set-up frequency, carrying out calculation of the CR oscillation frequency by IF counter, it is used by changing the frequency to CPU operation clock. Moreover, frequency changes with change of power supply voltage from -15% to +10% to setting value. When the setting frequency of the accuracy more than this range is required, please always adjust CR VCO frequency using IF counter. The frequency setting range of CR VCO can be freely set up in the range from of 0.8 to 1.2 MHz.

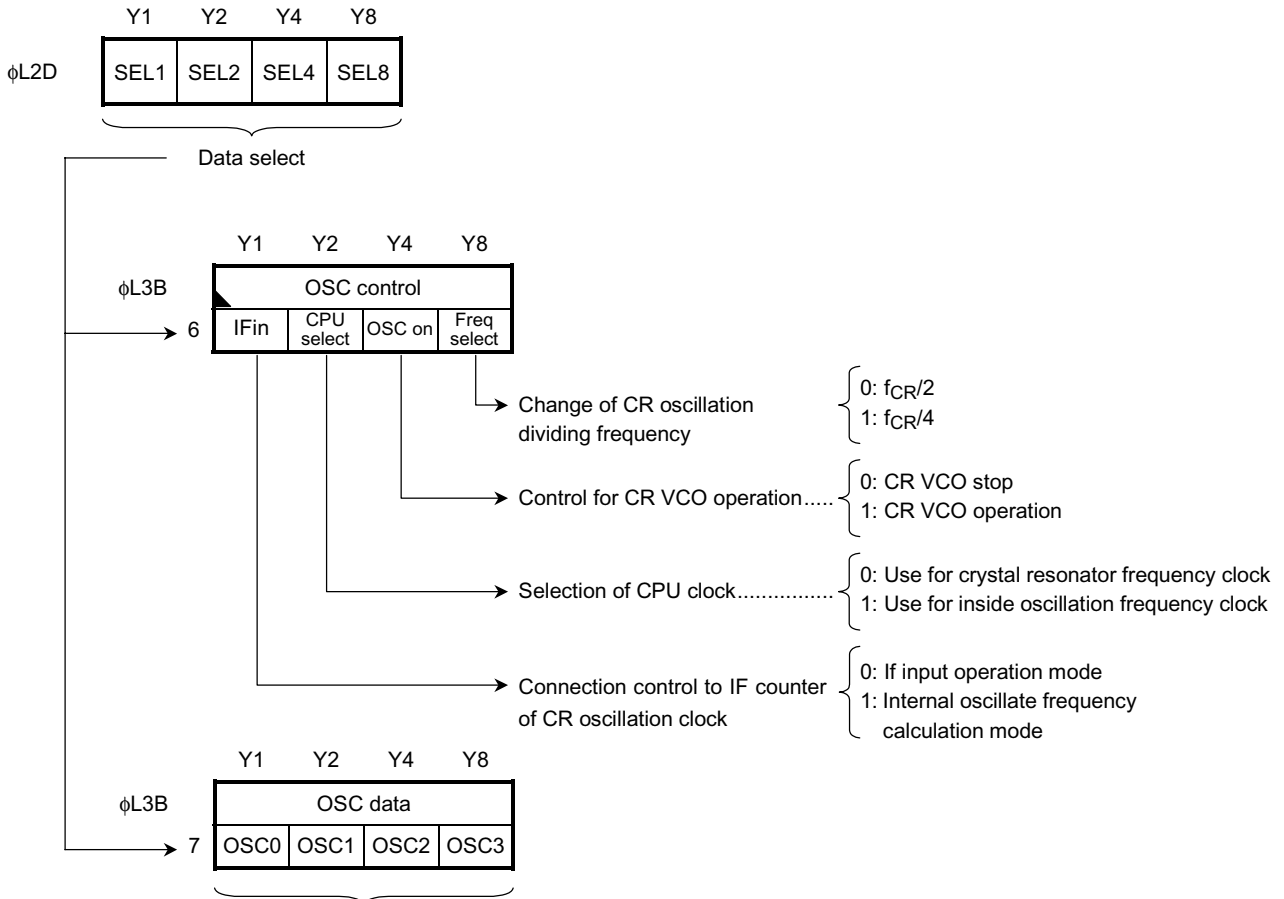
The resistance of CR VCO can be programmed 16 kinds of resistance form 20 k $\Omega$  to 50 k $\Omega$  (by 2 k $\Omega$  step) and the value sets up to the data of 3 bits of OSC0-OSC3. Freq Select bits sets up the divided value of CR oscillation frequency. If the data "0" set to the bit, the frequency is  $f_{CR}/2$ , and "1" will be set up, the frequency is  $f_{CR}/4$ . When the frequency set up to  $f_{CR} = 1$  MHz, the instruction executing time is compared with 40  $\mu$ s at the time of crystal oscillator clock. In case of setting 1/2 divide mode, the instruction executing time is gathered to the time of 6  $\mu$ s (= 3/500 kHz) and setting 1/4 divide mode, the instruction executing time is gathered to the time of 12  $\mu$ s (= 3/250 kHz) In this case, except that CPU operation is accelerated, timing, such as Timer, operates on crystal oscillation frequency. Although the processing speed of CPU is accelerated, the other timing (such as the Timer, etc.) operates on crystal oscillation frequency.

Ifin bit is control bits to IF counter to change about CR oscillation frequency clock. If "0" is set up, IF counter start to the calculation of IF (etc.), and if it is set as "1", CR VCO frequency is selectable as the clock input of IF counter. In case of calculating of the CR VCO frequency, Prescaler IN bit is necessary to set up "1". (→ Refer to IF counter item)

Moreover, CR oscillation frequency clock can be outputted from MUTE terminal, and it can be used as objects for clocks of operation, such as a monitor of CR VCO clock, and external IC. If setting the Test port 1 ( $\phi$ L1F) to "5H", CR VCO clock outputs from MUTE terminal.

A setup and control of CR VCO of frequency is set with the OUT3 instruction for which [CN = 6~7H] has been specified in the operand.

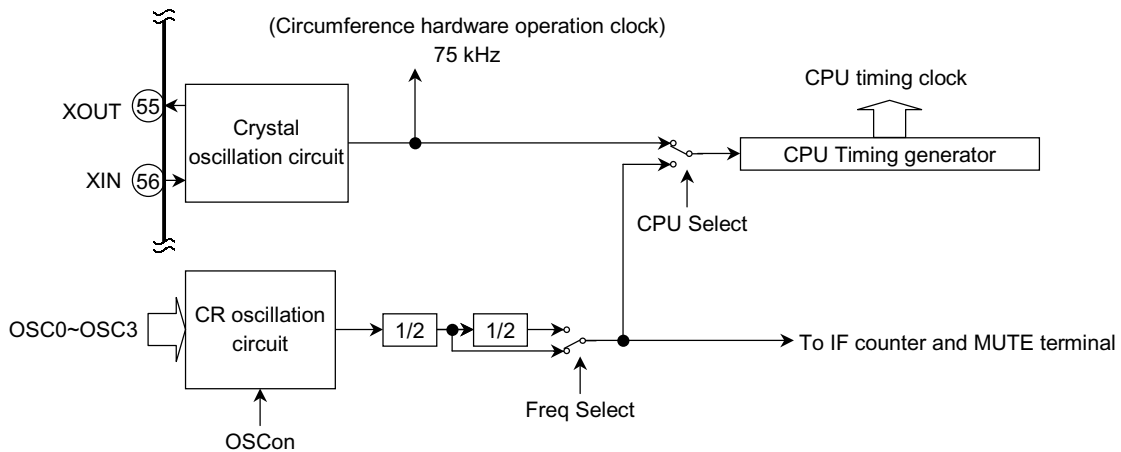




OSC0	OSC1	OSC2	OSC3	Resistance (Typ.)	Oscillation Frequency (Typ.)
0	0	0	0	20 kΩ	$f_{CR} = 1.8 \text{ MHz}$
↓	↓	↓	↓	(2 kΩ interval)	↓
1	0	0	0	36 kΩ	$f_{CR} = 1.0 \text{ MHz}$
↓	↓	↓	↓	(2 kΩ interval)	↓
1	1	1	1	50 kΩ	$f_{CR} = 0.64 \text{ MHz}$

Note: Oscillation frequency is the frequency of a standard product and this frequency varies with power supply voltage and a product. Moreover, the frequency range which can be set up is from 0.8 to 1.2 MHz.

### 3. Composition of a Clock Generator



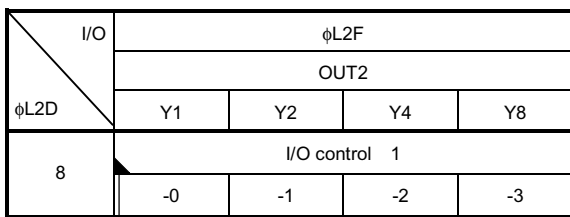
**System Reset**

The device's system will be reset when the  $\overline{\text{RESET}}$  terminal is subject to the "L" level or when a voltage of 0 V  $\rightarrow$  0.9 V or more is supplied to the VDD terminal (power-on reset). The program will start from 0 address immediately after about 100 ms stand-by time has passed following system reset. The  $\overline{\text{RESET}}$  terminal should be fixed at the "H" level as the power-on reset function is used under normal condition

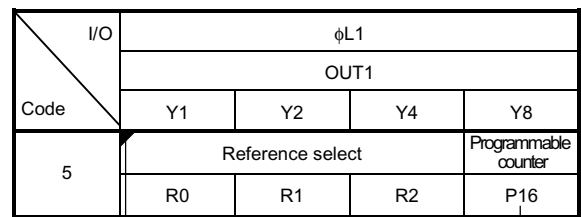
Note: A power-on reset function can be forbidden with AI switch. Please specify power-on reset prohibition and use in ES order request sheet. In case of forbidden the power-on reset function, reset with a  $\overline{\text{RESET}}$  terminal.

Note: The LCD common output and the segment output will be fixed at their "L" level during system reset and during the subsequent stand-by period.

Note: Inside shown in the above-mentioned I/O map the port that is not initialized after system reset, it is necessary to initialize port by the program. The inside port on the I/O map, the port or bit  $\blacktriangle$  mark on I/O map is set to "0" after system reset and  $\blacktriangledown$  mark's port or bit is set to "1". No mark port or bit is unfixed.

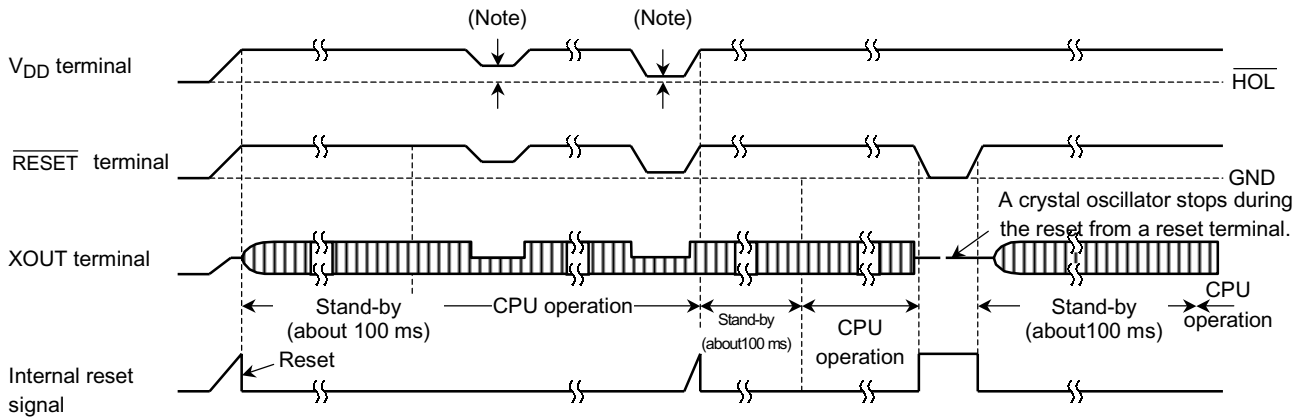


After system reset, this port is set to "0".



After system reset, this port is set to "1".

After system reset, this bit is unfixed.



**<Timing of operation >**

Note: When power supply voltage may become below 0.9 V, setup to the clock stop mode or operation to the reset function. The CPU operations are reset when a power supply voltage is re-apply from 0.3 to 0.6 V. (Power-on reset)

**Back-up Mode**

By executing CKSTP instruction or WAIT instruction, three kinds of back-up mode can be activated.

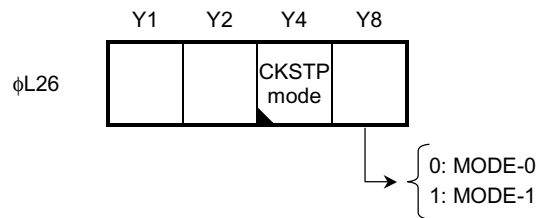
**1. Clock Stop Mode**

The clock stop mode is a function that suspends system operations and maintains the internal status immediately prior to suspension at a low level of current consumption (under 1  $\mu$ A). Crystal oscillations suspended simultaneously and CMOS output ports and output terminals for LCD display purposes are automatically fixed at the “L” level and N-channel open drain terminals are fixed off status (high impedances) automatically. The supply voltage can be reduced to 0.75 V with the clock stop mode.

Suspension is activated at the CKSTP instruction execution address when the CKSTP instruction is executed. The next address is executed after approximately 100 ms of stand-by time when the clock stop mode is cancelled.

(1) Clock stop mode setting

There are two types of mode setting for the clock stop mode. The required setting is selected with the CKSTP MODE bit. This bit is accessed with the OUT2 instruction for which [CN = 6H] has been specified in the operand.



MODE-0

By setting this mode, the clock stop mode is assumed if the CKSTP instruction is executed when the  $\overline{\text{HOLD}}$  terminal is in the “L” level. The same operations as the NOOP instruction will be assumed if the CKSTP instruction is executed when the  $\overline{\text{HOLD}}$  terminal is in the “H” level.

MODE-1

By setting this mode, the clock stop mode is assumed when the CKSTP instruction is executed regardless of the  $\overline{\text{HOLD}}$  terminal level.

Note: PLL will assume the off status during CKSTP instruction execution.

Note: Before the execution of the clock stop instruction, be sure to access  $\overline{\text{HOLD}}$  input terminal and I/O port 1 input port and rest the 2 Hz/F. If without execution the instruction and execute the clock stop mode, It may not go into mode.

(2) Canceling the clock stop mode

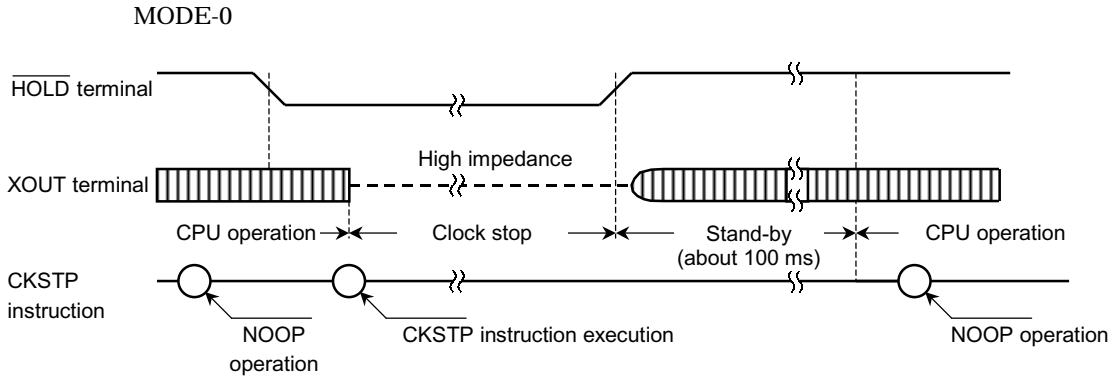
MODE-0

The clock stop mode is cancelled when specified in this mode by changing the “H” level of the  $\overline{\text{HOLD}}$  terminal or the input status of I/O port (P1-0~3) specified in the input port.

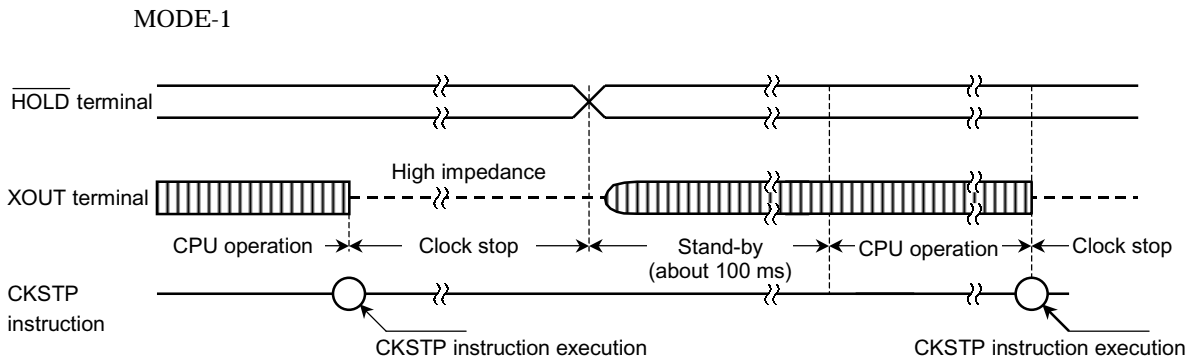
MODE-1

The clock stop mode is cancelled when specified in this mode by changing the  $\overline{\text{HOLD}}$  terminal or the input status of I/O port (P1-0~3) specified in the input port.

(3) Clock stop mode timing

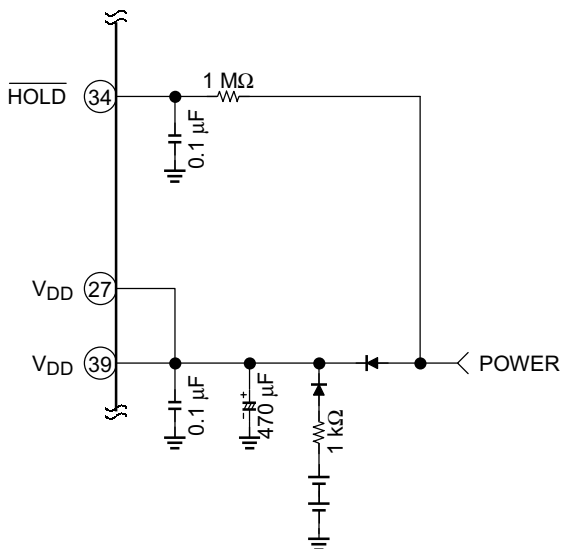


(The clock stop mode is assumed when the CKSTP instruction is executed when the  $\overline{\text{HOLD}}$  input is in the "L" level.)

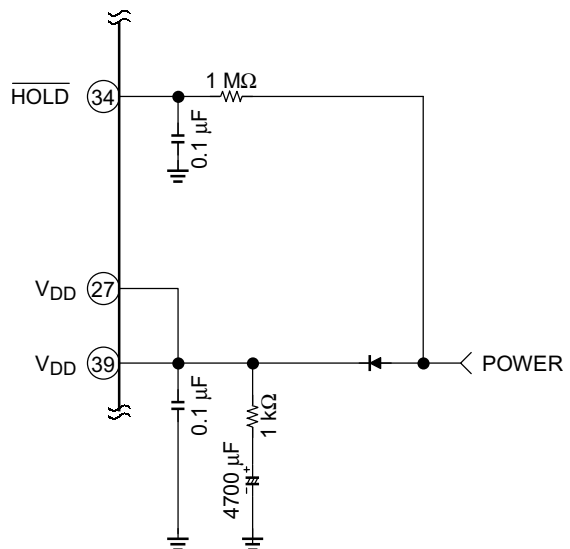


(The clock stop mode is assumed whenever the CKSTP instruction is executed.)

(4) Example of a circuit (example of a MODE-0 circuit)



**Example of battery back-up circuit**



**Example of a condenser back-up circuit**

## 2. Wait Mode

The wait mode suspends system operations, maintains the internal status immediately prior to suspension and reduces current consumption. There are two types of wait mode available; the SOFT WAIT mode and the HARD WAIT mode. Operations are suspended at the address where the WAIT instruction was executed when the wait mode is activated. The next address is executed immediately after the wait mode is cancelled without entering a stand-by status.

### (1) SOFT WAIT mode

Only the CPU operations within the device are suspended when the WAIT instruction in which [P = 0H] has been specified in the operand is executed. The crystal resonator and other elements will continue to operate normally at this time. The SOFT WAIT mode is efficient in reducing current consumption during clock operations when used in programs that include clock functions.

Note: Current consumption will differ in accordance with execution time of CPU operation.

### (2) HARD WAIT mode

The operations of all elements, with the exception of the crystal resonator, can be suspended by the execution of the WAIT instruction in which [P = 1H] has been specified in the operand. This enables even greater levels of current consumption reduction than the SOFT WAIT mode. It suspends the CPU operation.

Note: The output port is maintains during the HARD WAIT mode. All LCD display output terminal are fixed "L" level and voltage doubler circuit (V<sub>DB</sub>), voltage regular cuicuit for LCD (V<sub>EE</sub>) and voltage doubler circuit for LCD (V<sub>LCD</sub>) are operatinns.

### (3) Wait mode setting

The wait status is assumed whenever the WAIT instruction is executed.

Note: The PLL OFF status will be assumed during the wait mode.

### (4) Wait mode cancellation conditions

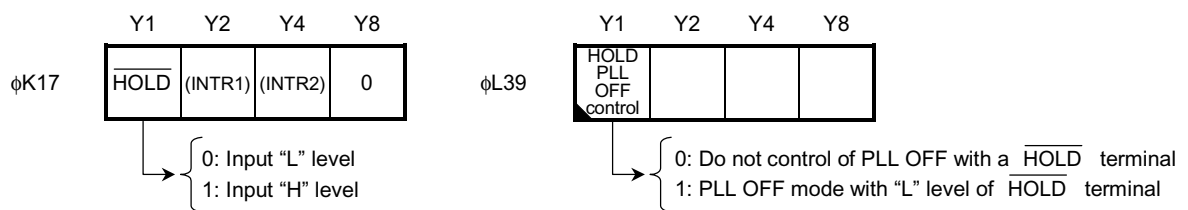
The wait mode is cancelled when the following conditions are satisfied:

When the input status of the  $\overline{\text{HOLD}}$  terminal changes.

When the input status of the I/O port specified in the input port (P1-0~3) changes.

When the 2 Hz Timer F/F is set as "1" (only with the SOFT WAIT mode)

## 3. $\overline{\text{HOLD}}$ Input Port



The  $\overline{\text{HOLD}}$  terminal can be used as an input port. This bit loads data input with IN1 instruction for which [CN = 7H] has been specified in the operand into the data memory. It is necessary to access this port prior to the execution of the CKSTP instruction when the clock stop mode has been set. It is necessary to note that there are cases when the clock stop mode will not be activated if the CKSTP instruction is executed without this port being accessed.

While HOLD PLL off control bit is set to "1", if  $\overline{\text{HOLD}}$  terminal input "L" level, it will become PLL off-mode. For this reason, a setup in PLL off-mode can be made quick at the time of battery exchange.

The bit is accessed with the OUT3 instruction for which [CN = 9H] has been specified in the operand. All of the reference port is "1", it also becomes PLL off mode. (→ Refer to the reference frequency divider item)

Note:  $\overline{\text{HOLD}}$  input terminal is used as INTR2 terminal.  $\overline{\text{HOLD}}$  input port and INTR2 input is outputted the same data.

**Interrupt Function**

The circumference hardware which can use Interrupt function has INTR1 terminal, INTR2 terminal, Timer counter, and Serial interface.

The circumference hardware fulfill conditions, Interrupt demand signal from circumference hardware is all input, and Interrupt demand is published. The pretreatment for returning to the same state as the time of Interrupt, before and after usually carrying out Interrupt processing, and post-processing are required of Interrupt routine. The pretreatment for returning to the same state as the time of Interrupt, before and after usually carrying out Interrupt processing, and post-processing are required of Interrupt routine. It is necessary to perform shunting and a return for the register data memory used by ALU to the data memory for interchange. When ending Interrupt processing, a program is returned by the return command for Interrupt.

In addition, INTR1 terminal and INTR2 terminal are using also IFin1 and  $\overline{\text{HOLD}}$  terminal.

**1. Interrupt Control Circuit**

Interrupt control circuit consists of an Interrupt permission flag, an Interrupt latch, and an Interrupt priority circuit block. This control performs setup and control by OUT2/IN2 instructions.

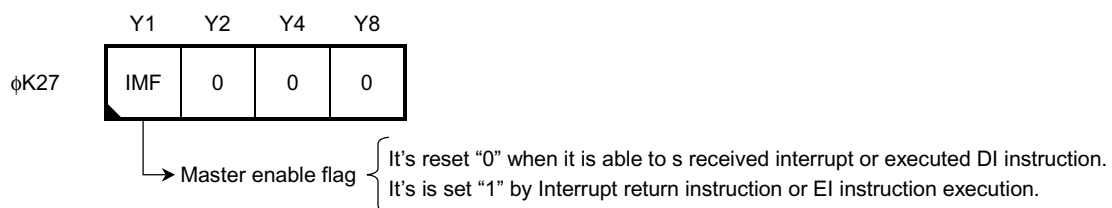
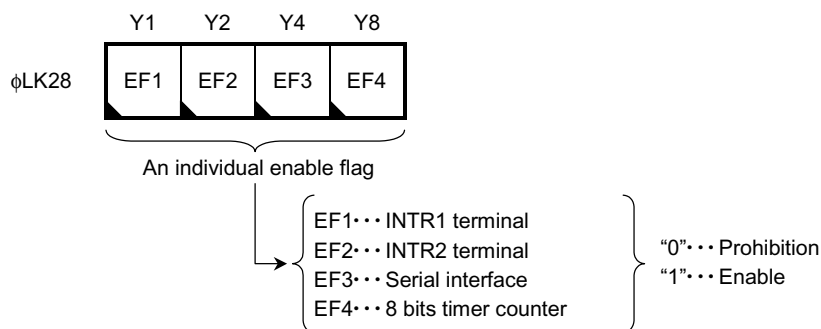
(1) Interrupt enable flag

Interrupt enable flag has an individual permission flag corresponding to a master permission flag and each Interrupt factor. An individual enable flag sets up prohibition/permission of Interrupt corresponding to each Interrupt factor. A master enable flag is a flag for which performs prohibition/permission of all Interrupts. If these enable register is set "1", it becomes permission and "0" will be set, it becomes prohibition. A master enable flag is a flag which performs prohibition/permission of all Interrupts. If these enable register is set "1", it becomes enable and is set "0", it becomes will be set prohibition.

An individual enable flag is accessed with OUT2/IN2 instructions for which [CN = 8H] has been specified to the operand. A master enable flag can perform permission/prohibition by execution of an EI/DI instruction.

In case of forbidding Interrupt in a program, it executes DI instruction, and in enable, it executes EI instruction. At this time, Interrupt is enabled during EI instruction execution in a program, and the DI instruction execution.

If master enable flag is received the Interrupt request, it is reset by "0" and all Interrupts will be in a prohibition state. By execution of Interrupt return instruction, it is set to "1". A master enable flag is read into data memory by IN2 instruction for which [CN = 7H] has been specified.

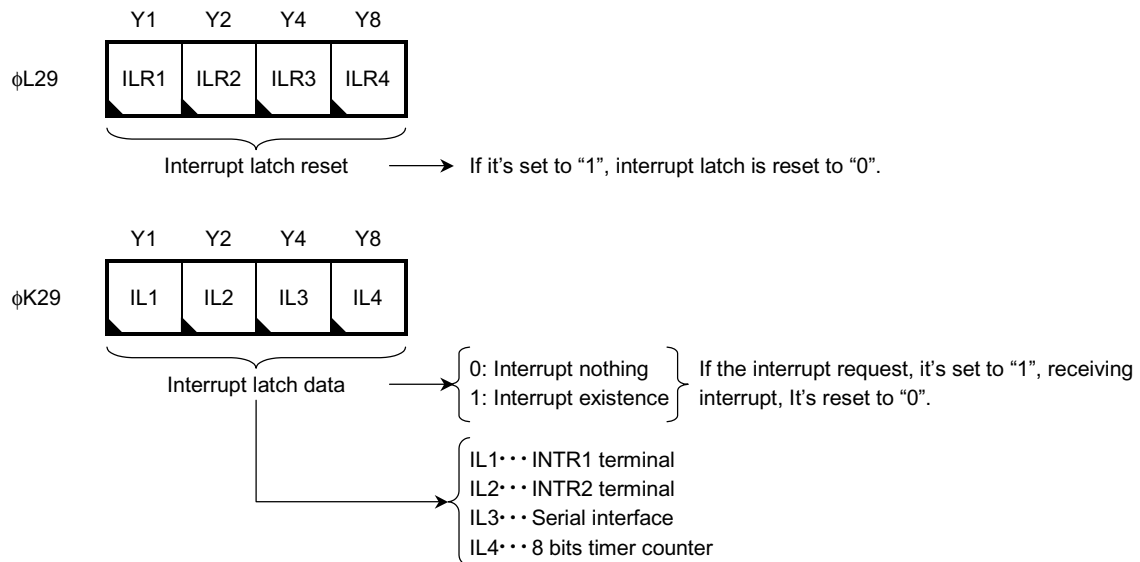


(2) Interrupt latch

If Interrupt request generates, interrupt latch is set to "1".

If Interrupt is enabled, Interrupt receptionist will be required of CPU and it will branch to Interrupt routine. If Interrupt is received at this time, Interrupt latch is reset by data "0" automatically.

Interrupt latch data can read by the program and judge individual existence or nothing of interrupt generating. By interrupt request, interrupt latch is reset from "1" from setting "0", it is able to cancel interrupt request or initialized.



(3) Interrupt priority circuit block

Interrupt priority circuit is a circuit of determined the ranking of the interrupt generating when interrupt occurs simultaneously or interrupt permit after two or more interrupts had occurred. Vector address to interrupt routine is also generated by this block.

Priority	Interrupt Factor	Vector Address
1	INTR1 terminal	0001H
2	INTR2 terminal	0002H
3	Serial interface	0003H
4	Timer counter	0004H

**2. Interrupt Receptionist Processing**

Interrupt request is maintained until it's receiving interrupt or reset "0" to interrupt latch by system reset operation or by the program. Interrupt reception operation is as shown below.

Each around hardware is output each interrupt signal and set "1" to interrupt latch if interrupt conditions are fulfilled.

Interrupt latch of Interrupt factor received resets to "0" if interrupt enable flag and the master enable flag corresponding to each Interrupt factor set to "1"

Interrupt master enable flag resets to "0" and interrupt is forbidden.

The contents of a stack pointer are done -1.

The contents of program counter (PC) evacuates to stack register. At this time, the contents of a program become the following address, which permitted the next address or next interrupt at the time of interrupt being received.

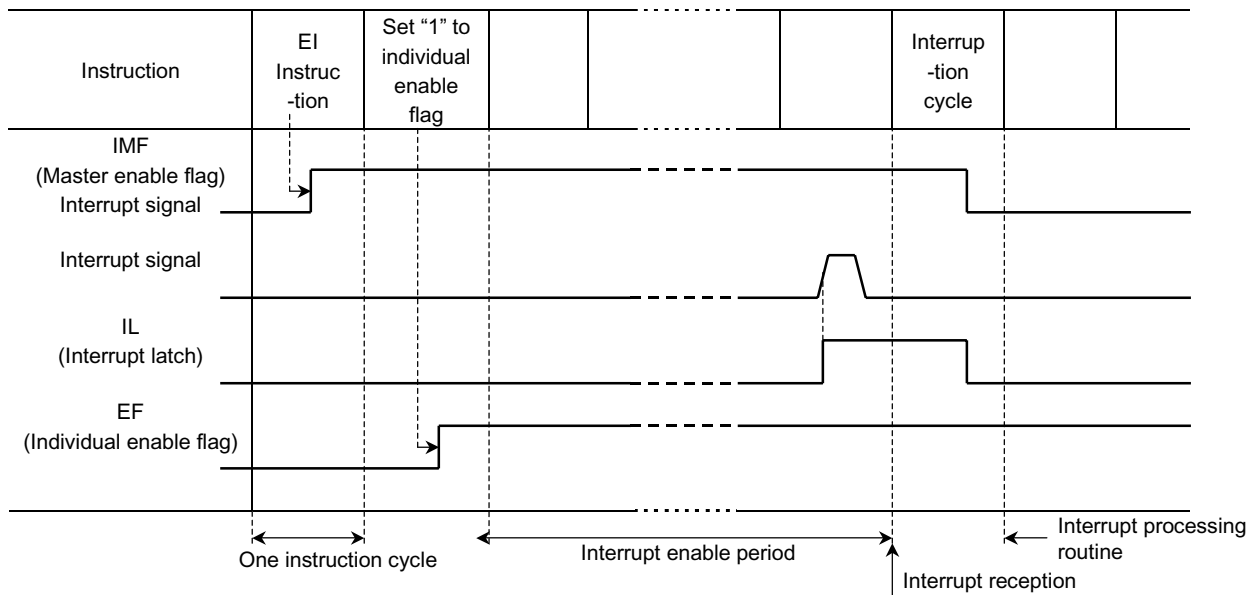
The contents of vector address corresponding to received interrupt transfers to program counter.

Executing of the contents of vector address.

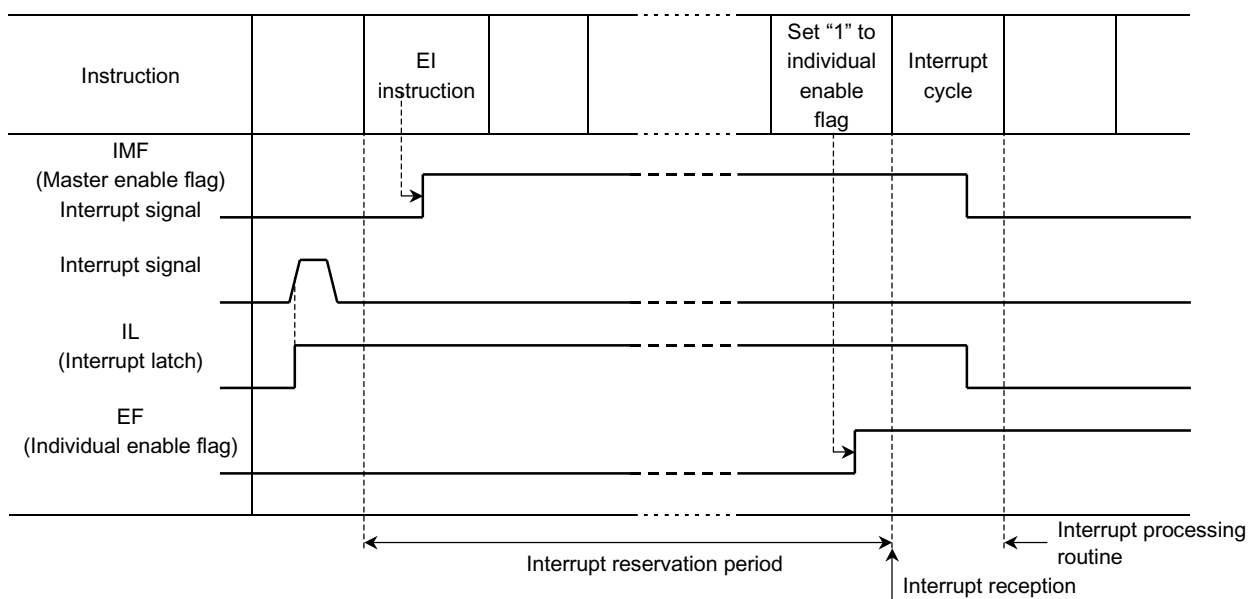
These execution ~ is executed during 1 instruction cycle. The instruction cycle is called "Interrupt cycle".

Note: Stack pointer is the pointer for which specified the 8 level stack register. Reference of the contents of a stack pointer cannot be performed.

**In case of Interrupt enable period**



**In case of interrupt reservation period**





**3. Return Processing from Interrupt Processing Routine**

In order to make it return to processing before receiving Interrupt from Interrupt processing routine, RNI instruction and that is an exclusive command is used.

Execution of RNI instruction does the following processing automatically one by one.

The contents of address stack, which is specified with a stack pointer, are returned to a program counter.

Set "1" to interrupt master enable and changes into a enable state.

The contents of a stack pointer are done +1.

RNI instruction of the above-mentioned processing is processed in 1 instruction cycle.

**4. Interrupt Processing Routine**

Interruption is received regardless of the program currently performed when an interruption request will be done if it was the program area where interruption is enabled. Therefore, after doing interrupt processing, when making it return to the program of a basis, it is necessary to return to the state where it is performed by interrupt processing. For this reason, it is necessary to perform shunting and return operation within an interruption processing routine about a register, a data memory, etc. which may be operated within an interruption processing routine at least.

(1) Shunting processing

In execution of shunting processing, a carry flag surely needs to be shunted. If interruption is received during execution of arithmetic operation, the contents will change about carry flag (CY) etc. and the program after a return will mistake judgment. For this reason, the contents of a carry flag are shunted in a data memory at once by IN1 instruction in the data of the carry flag in I/O map.

The contents of the data memory used by the interruption processing routine and the contents of a general register are also made to shunt if needed. Furthermore, when MVGD, MVGS or DAL instruction is used in interrupt routine, it's necessary to shunt the contents of G-register or DAL address register

(2) Return processing

Return processing should just do opposite to the above-mentioned shunting processing.

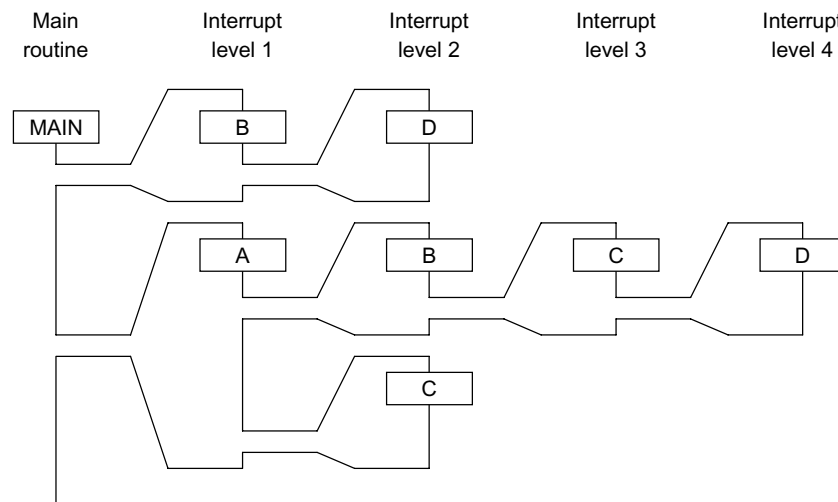
Since if interrupt is received, interrupt master enable flag is reset by "0", before receiving interrupt, it is an interrupt master enable flag must have been "1".

For this reason, RNI instruction is executed and a master enable flag is returned.

**5. Multiplex Interrupt**

Multiplex Interrupt is the method of processing another interrupt during interrupt processing.

As shown in a figure, another interrupt factor C or D is processed during interrupt processing to a certain interrupt factor A and B. The depth of interrupt at this time is called interrupt level.



**The example of multiplex interrupt**

Cautions are required for the following points when using multiplex interrupt.

The priority of interrupt factor  
Restriction of the address stack level used at the time of interrupt request issue  
Shunting processing of a carry flag, a data memory, etc.

(1) Priority of interrupt factor

The priority of multiplex Interrupt is  $A < B < C < D$  in a figure.

At the time of a priority, interrupt of C must be processed priority even if interrupt of A or B is under processing, and even if interrupt of C is under, priority must be given to Interrupt of D.

For example, there are interruption factors A and B, it assumed that the factor of A requests every 10 ms and the interrupt processing time is 4 ms and the factor of B requests every 2 ms and the interrupt processing time is 1 ms. When there is no priority of A and B, if an interrupt requests of A enters during interrupt processing of B interrupt, processing of A is done and it will stop doing interrupt processing of B. In such a case, it is necessary to program that give the priority of  $A < B$  and forbid interrupt of A during interrupt processing of B, and even if interrupt of B is received under processing of interrupt of A.

When all individual enable flags is setup "1" (enable state), it becomes the priority by the hardware explained according to the item of an interrupt priority circuit block, the priority of hardware is changeable by operating an individual enable flag by the program.

Usually, in interrupt processing routine, received interrupt and low priority interrupt is forbidden and high priority interrupt of Interrupt is enabled.

(2) Restriction of address stack level

As the item of Interrupt reception processing explained, when interrupt request was done, the return address is shunted automatically to address stack. As the register item explained, an address stack is used also for execution of a sub routine call instruction on eight levels. For this reason, if interrupt level and a sub routine call level exceed eight levels, it returns and the contents of an address stack which was recorded from the first will be destroyed, it is necessary to use it so that this may not be exceeded.

(3) Shunting processing

When using multiplex Interrupt, it is necessary to secure the shunting area of shunting processing separately to each Interrupt factor.

**External Interrupt and Timer Counter Function**

External interrupt has two types of INTR1 terminal and INTR2 terminal. Interrupt request is done by the rising or falling edge of a signal added to these terminals.

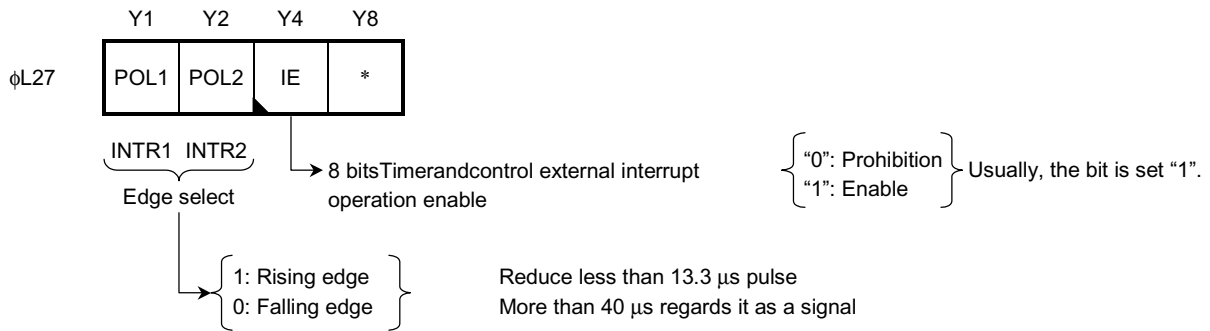
Timer counter is 8-bits binary counter and has the function of timer and external clock timer. The input of external clock timer function is used as external Interrupt terminal (INTR1, INTR2).

**1. External Interrupt Function**

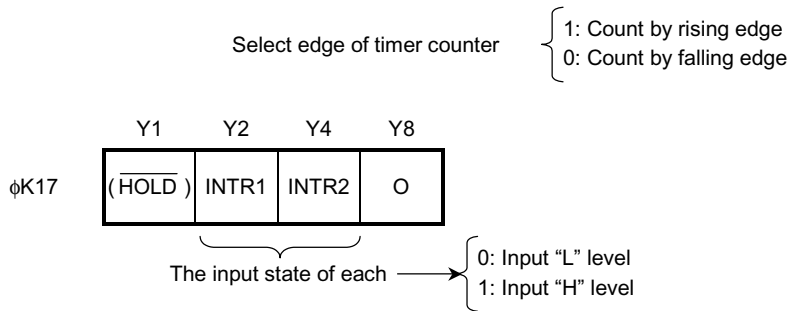
External interrupt has two types of INTR1 terminal and INTR2 terminal and the edge of these inputs is detected and Interrupt request is done. Input has noise cancel circuit, the frequency of 75 kHz is used for a noise removal clock and the pulse of under this frequency is removed as a noise. IE bit is enable bit which permits 8-bit timer counter operation or interrupt and external interrupt request. The rising or falling edge used as input edge can choose for every terminal. Usually, this bit is set "1".

These controls are accessed with OUT2 instruction for which [CN = 7H] has been specified in the operand. If Interrupt of INTR1 terminal is received, the program will branch to 0001H address and a program will branch to 0002H address at the time of INTR2 terminal.

These terminals are used as input port and the input status can read into data memory by execution of the IN2 instruction for which [CN = 7H] has been specified in the operand



Note: The edge of the external clock of timer counter is also controlled. The Timer counter input is not using the function of noise cancel function. For this reason, even if external Interrupt does not occur, it is 40 (since the clock pulse of under s is inputted into counter, cautions are required.).



Note: Interrupt request may be published if edge is changed by POL bits. For this reason, when changing edge, it changes after forbidding Interrupt, and Interrupt latch is reset, and it returns to usual operation.

Note: INTR1 terminal and INTR2 terminal are used also IFin1 terminal and  $\overline{HOLD}$  terminal. When only INTR1 terminal uses this function, IF1/INTR bits ( $\phi L16$ ) is setup "0".  $\overline{HOLD}$  input and INTR2 input is outputted the same.

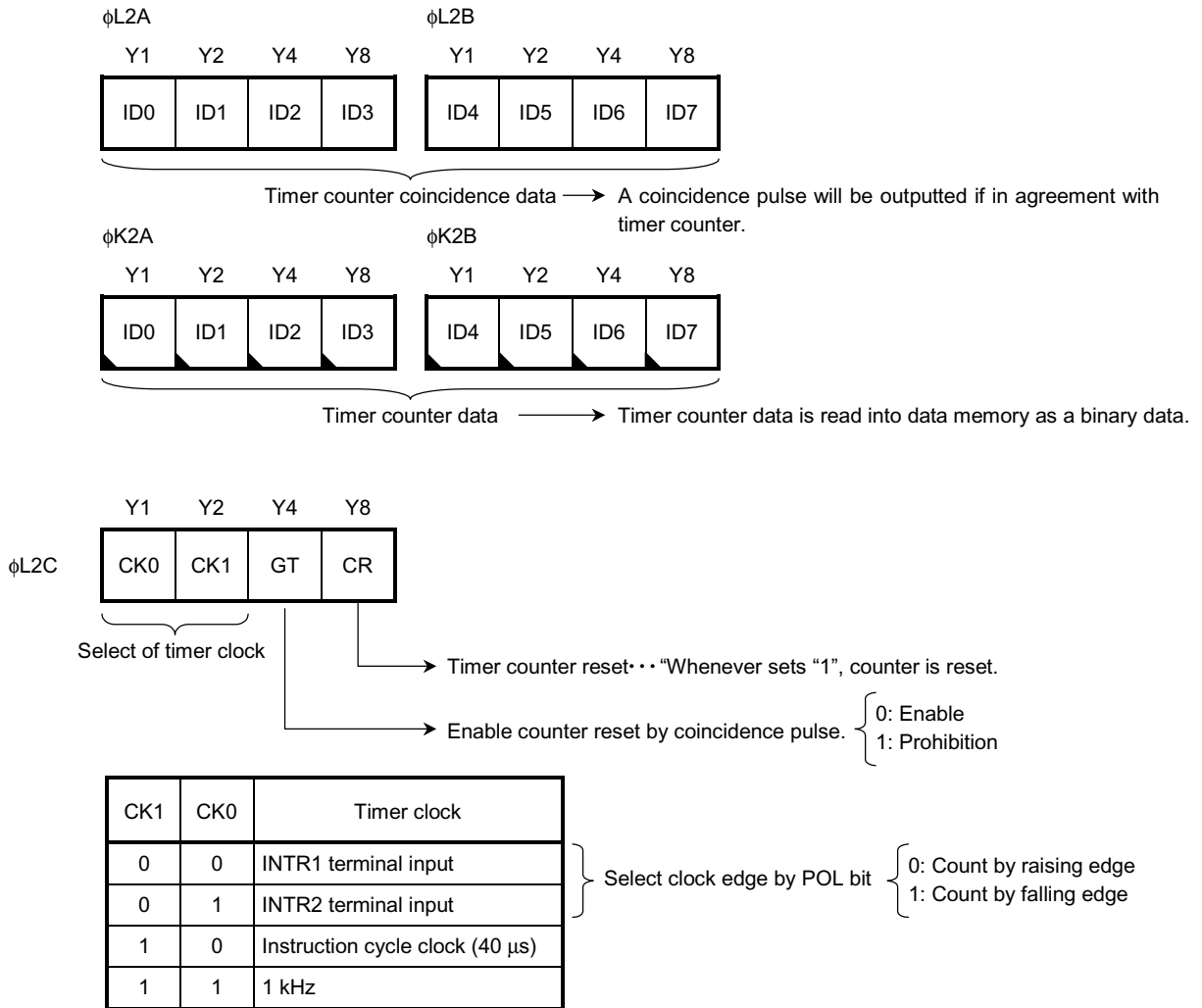
**2. Timer Counter Function**

Timer counter are consists of 8-bit binary counter, counter coincidence register, digital comparator and controlled the control circuit.

If timer counter is coincided with the contents of counter coincidence register, timer counter is outputted a coincidence signal pulse and interrupt request is done by inputting timer clock to 8-bit binary counter timer clock. Reset of Timer counter is possible with a coincidence pulse and a program, and it can perform enable and prohibition of reset by the coincidence pulse. As a clock of timer, it can be selected INTR1/2 input and an instruction cycle and 1 kHz.

(1) Timer counter register configuration

The register of timer counter is consisted of counter data, coincidence register and control register.



Note: It's necessary to set "1" to IE bit when it uses timer counter.

Note: Set "0" to IF1/ $\overline{\text{INTR}}$  bits ( $\phi\text{L16}$ ) when INTR1 terminal is used as timer clock.

(2) Timer mode

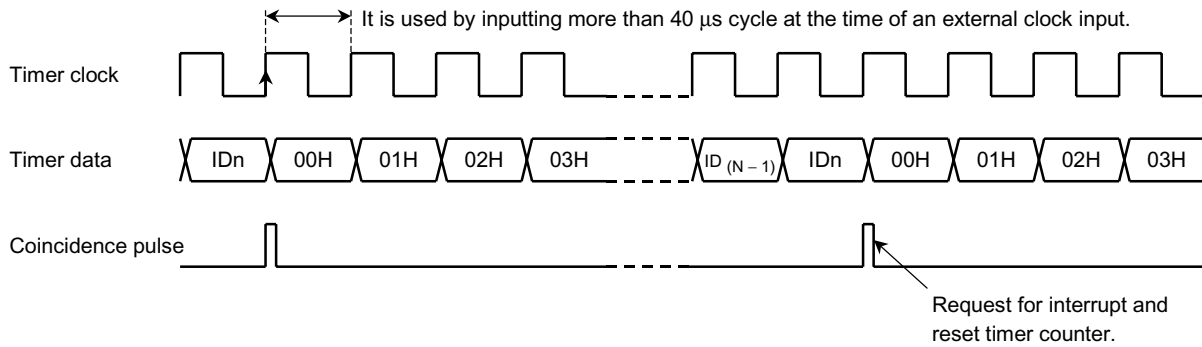
Timer mode is detected fixed time. Interrupt request is done and reset to counter whenever it detects fixed time. At this time, control bit is set to 1 kHz or an instruction as timer clock, "0" to GT bit and "0" (it does not reset) to CR bit.

Timer coincidence data is

$$\text{Timer time} = \text{IDn (coincidence data)} \times \text{Timer clock cycle}$$

It sets up the data which corresponding to time.

In addition, although an external terminal can be used for Timer clock, a clock frequency should use the frequency below 25 kHz. If GT bit is setup "1", it can be also be integrated of an external clock.



**Internal Interrupt and Interrupt Function**

Interrupt has two types of timer counter and serial interface.

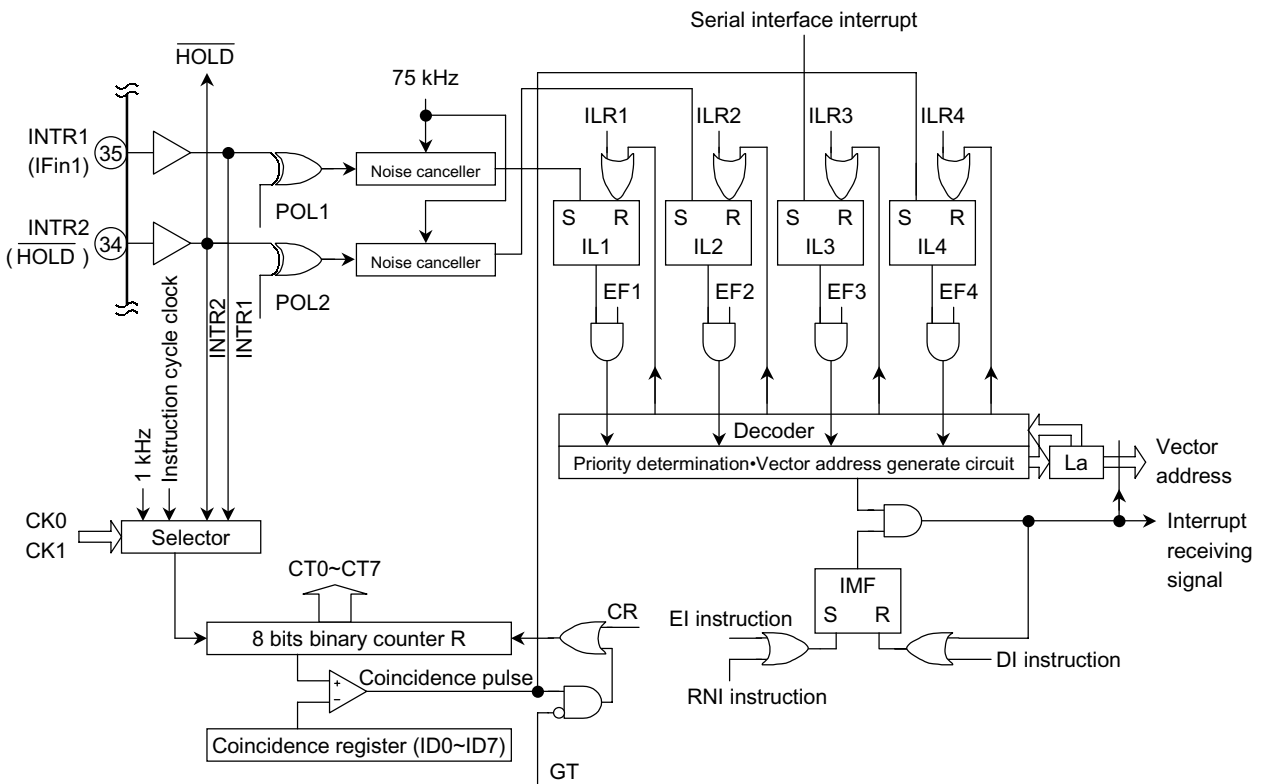
**1. Interrupt of Timer Counter**

If timer counter value is same as coincidence register value, interrupt of timer counter is occurred interruption. Refer to the item of timer counter function in detail.

**2. Interrupt of Serial Interface**

Interrupt of serial interface is occurred interruption at the time of finishing operation of serial interface. Refer to the item of serial interface function in detail.

**3. Interruption Block Configuration**



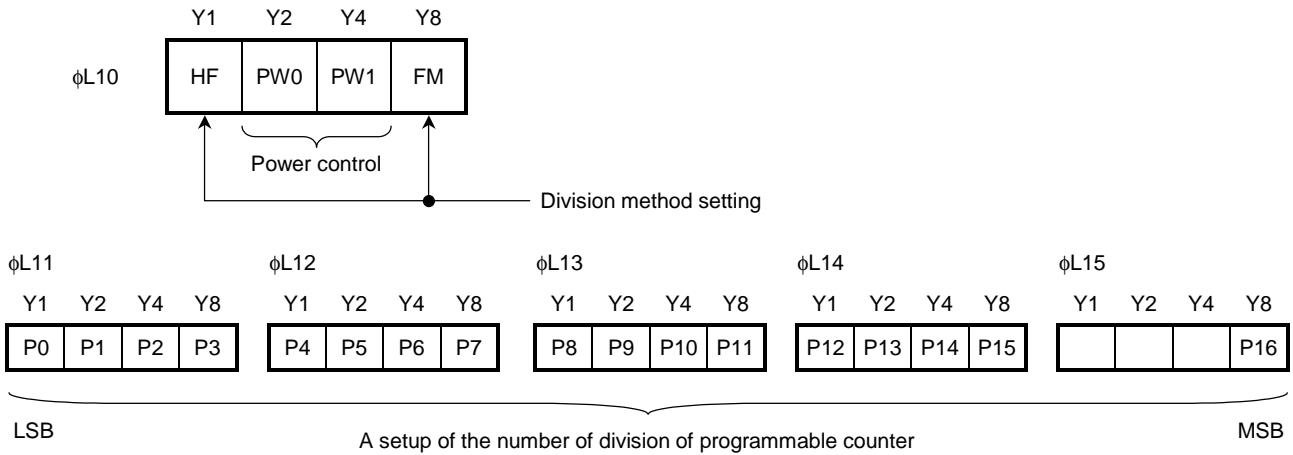
**Programmable Counter**

The programmable counter consists of two modulus pre-scaler, a 4-bit + 13 bit programmable counter and a port to control these elements.

The programmable counter controls the ON/OFF functions for the contents of the reference port and HOLD input status. By using external pre-scaler (TD6134AF/TD7101/04F) or 1 chip tuner IC that is built-in for 1/16 pre-scaler (TA2142FN), it's possible to reduce the emission from the tuner portion and consumption current.

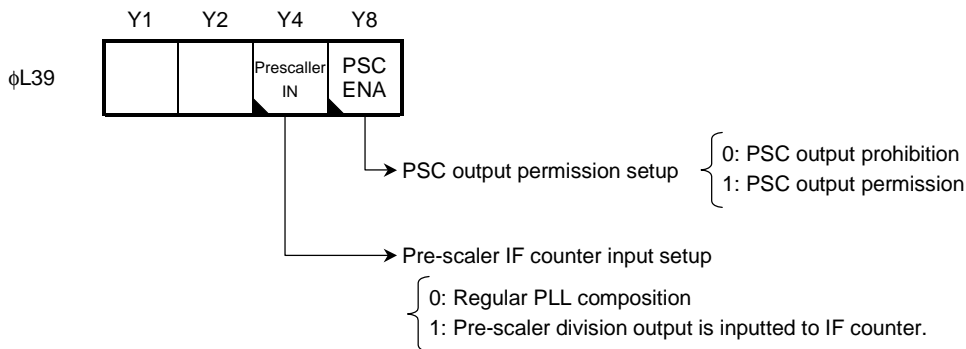
**1. Programmable Counter Control Port**

This port is controlling for division frequency, division method and operating current and gain of pre-scaler.



The division method and power control of pre-scaler are accessed with the OUT1 instruction for which [CN = 0H] has been specified in the operand.

The division frequency setting is accessed with the OUT1 instruction for which [CN = 1~5H] has been specified and setting is by writing in the P16 bit ( $\phi$ L15). All data between P0 to P16 are updated when P16 is set. It is therefore necessary to access P16 without fail even when updating only certain items of data and to perform setting as the final process.



PSC output permission setup is used at the time of connection of external pre-scaler.

In the setup to pre-scaler IF input, if the bit is set to "1", a programmable counter stops and pre-scaler 1/15 and 16 are fixed to 16 division. Usually, consisting of PLL, the bit is set to "0".  
 (→ Refer IF counter item)

## 2. Division Method Setting

The pulse swallow method or direct method are selected with the HF and FM bit.

The power control bits (PW0/1) are controlled the gain of amplifier and pre-scaler ( $1/2 + 1/15 \cdot 16$ ). Although the power bit in each mode has five methods, set up it as shown in a table.

By using 1 chip tuner IC that is built-in for 1/16 pre-scaler (TA2142FN), set up to the LF mode and set the division value after 1/16 division frequency.

Mode	HF	PW0	PW1	FM	Division Method	Example of Receiving Band	Operationf Requency Range	Division Number (Note)
LF	0	1	0	0	Direct division method	MW/LW	0.5~8 MHz	n
HF1	1	1	0	0	Pulse swallow method ( $1/15 \cdot 16$ )	SW	3~30 MHz	
HF2	1	0	1	0			1~10 MHz	
FM	1	1	0	1	Pulse swallow method ( $1/2 + 1/15 \cdot 16$ )	FM	60~130 MHz	2•n
VHF	1	0	1	1		TV (1 ch~12 ch)	80~230 MHz	

Note: "n" represents the number of divisions programmed.

Note: Do not perform a setup except the above-mentioned power control setup.

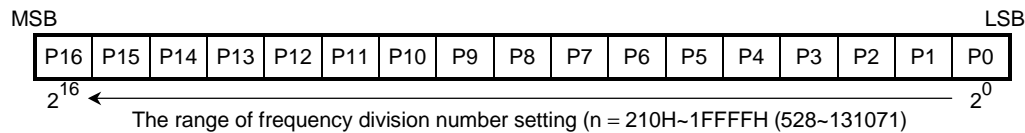
There are not normal operation such as flowing over-current or unlocked PLL etc..

Note: A local oscillation input is common to each mode, and is altogether inputted into OSCin terminal.

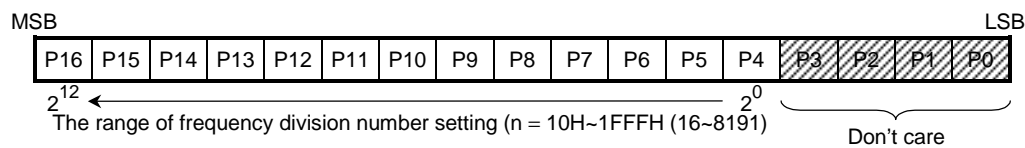
## 3. Frequency Division Number Setting

The frequency division number for the programmable counter is set in bits P0 to P16 in binary.

- Pulse swallow method (17 bit)



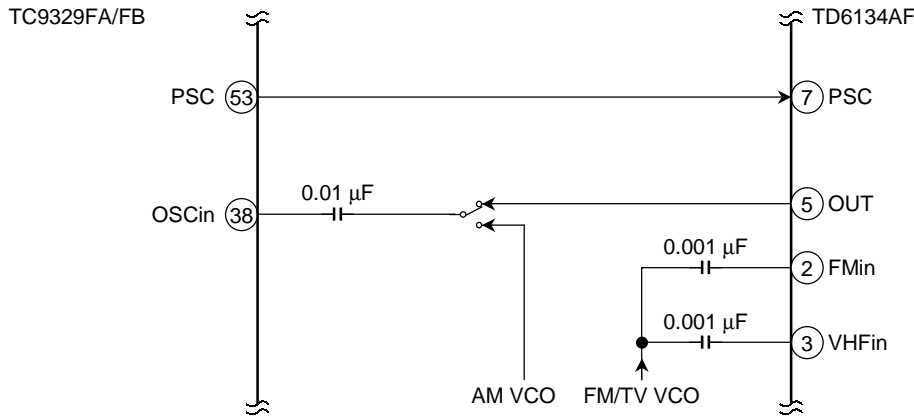
- Direct division method (13 bit)





**4. PSC Output Permission Setting**

In case of using the external pre-scaler (TD6134AF/TD7101/04F), PSC output permission bit is setup to "1". At this time, a swallow counter will be operating and pre-scaler will be in a stop state, and PSC output is outputted P2-3 terminal. A division method is set as LF mode, and AM VCO input and an external pre-scaler output are changed and inputted into AMin input terminal. P3 terminal is used by setting it as an output port.

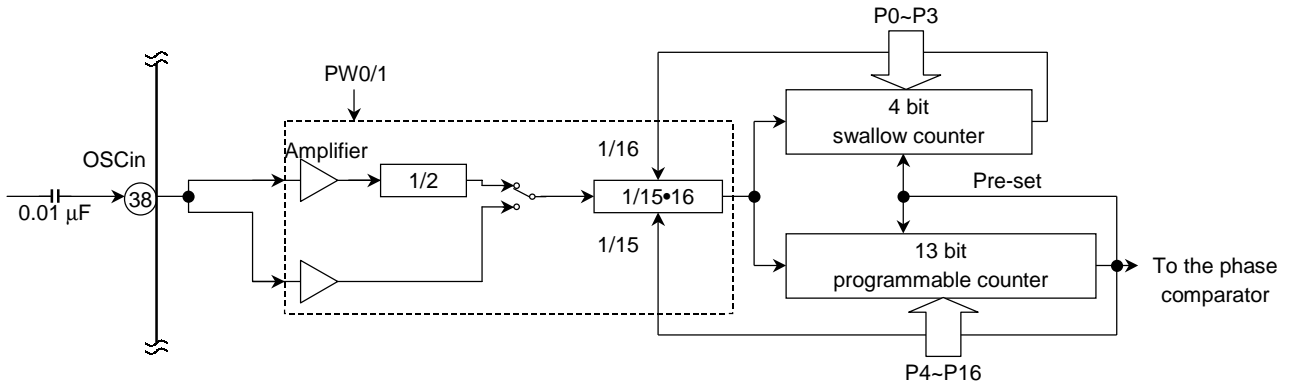


**The example of an external pre-scaler connection circuit**

**5. Programmable Counter Circuit Configuration**

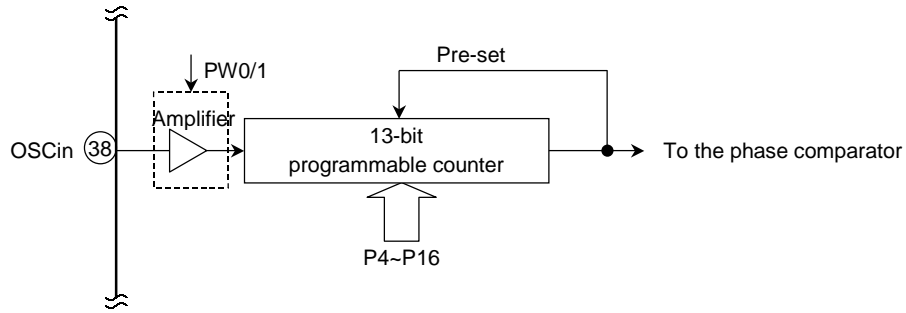
- Pulse swallow method circuit configuration

This circuit consists of amplifier, two 1/15•16 modulus pre-scalers, the 4-bit swallow counter and a 13-bit binary programmable counter. A 1/2 frequency divider is added to the front stage of the pre-scaler when in the VHF/FM mode.



- Direct division method circuit configuration

The pre-scaler is not required if this is selected, and instead, the 13-bit programmable counter is used.



Note: OSCin terminal has been fitted into the amplifier, and small amplitude possible by linking them to a condenser. The input is high impedance when PLL is in the off mode. VCO input serves as each of operation mode common terminal.

Note: If it becomes PLL off-mode, all programmable counter parts will be stopped. The contents of each control port are held at this time.

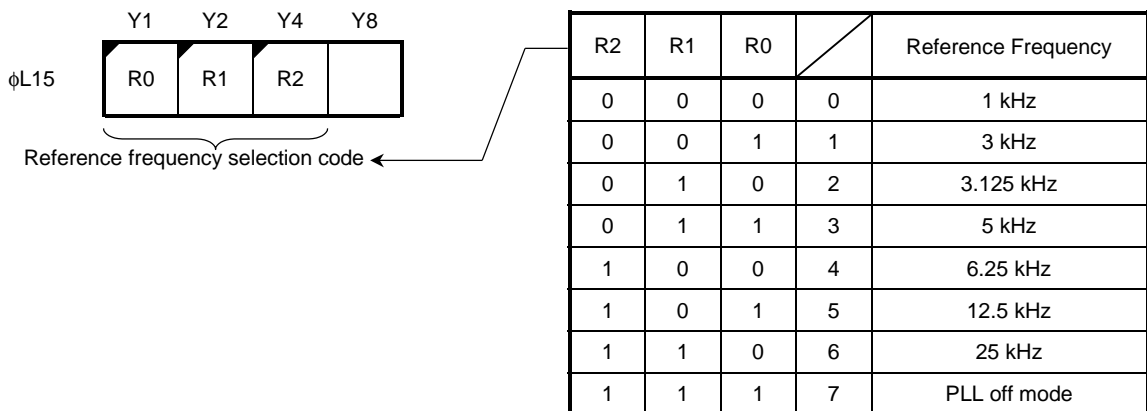
**Reference Frequency Divider**

The reference frequency divider divides the oscillation frequency of the external 75 kHz crystal and generates the following seven types of PLL reference frequency signals; 1 kHz, 3 kHz, 3.125 kHz, 5 kHz, 6.25 kHz, 12.5 kHz and 25 kHz. These signals are selected with reference port data.

The selected signal is supplied as a reference frequency for the phase comparator as described below. Also, the PLL is switched on and off with the contents of the reference port.

**1. Reference Port**

The reference port is an internal port for selecting the seven reference frequency signals. This port is accessed with the OUT1 instruction for which [CN = 5H] has been specified in the operand ( $\phi L15$ ). Operations for the programmable counter, the If counter and reference counter are suspended and the PLL assumes the off mode when the contents of the reference port are all "1". As the frequency division setting data for the programmable counter is updated when the reference port is set, it is necessary to set the frequency division number of the programmable counter prior to setting the reference port.



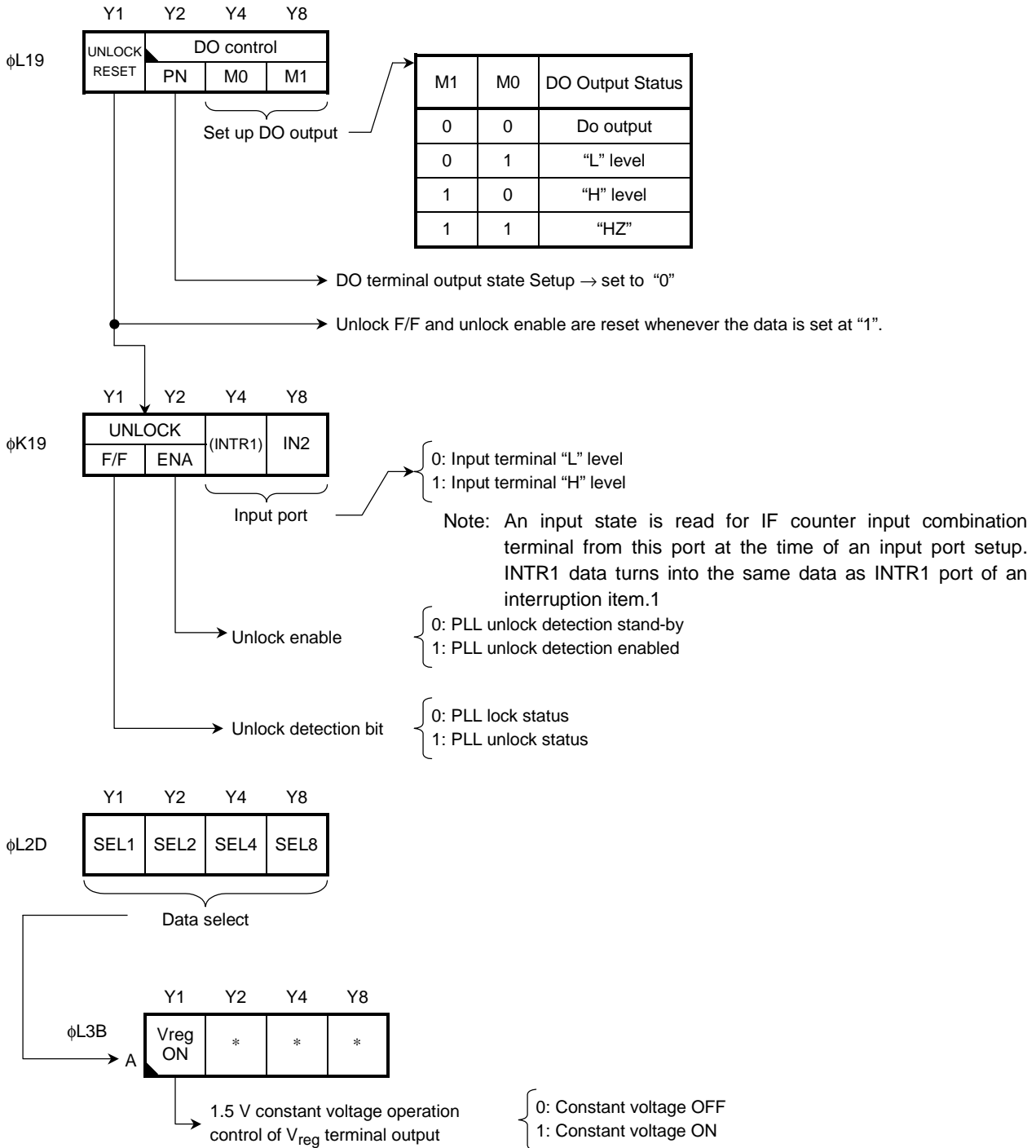
**Phase Comparator and Lock Detection Port**

The phase comparator compares the difference in phasing between the reference frequency signal supplied from the reference frequency divider and frequency division output of the programmable counter and outputs the result. It then controls the VCO (Voltage control oscillator) via a low pass filter in order to ensure that the two frequency signals and the phase difference match.

In order to use a phase comparison machine and a charge pump output are constant voltage  $V_{reg}$  potential (1.5 V), it's possible to stabilize phase comparison even if  $V_{DD}$  potential was set to 0.9 V.

The DO terminal can also be used as a general-purpose output with the Do control port.

**1. Do control Port and the Unlock Detection Port**



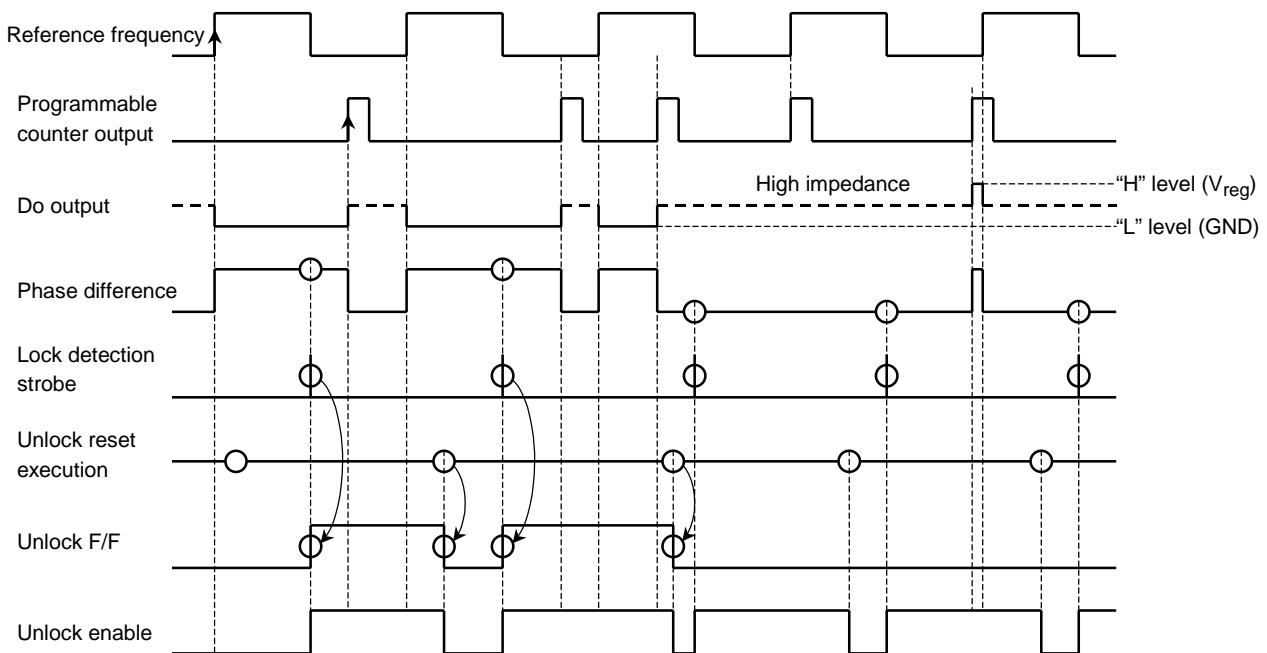
M0 and M1 bit of DO control ports are perform a general-purpose output port setup of DO output, and a setup of high impedance.

The power supply of a phase comparison and a charge pump output circuit is using V<sub>reg</sub> terminal. The V<sub>reg</sub> terminal is outputted constant voltage of 1.5 V and “H” level of charge pump output is outputted V<sub>reg</sub> terminal. For a reason, phase comparison operation power supply voltage was stabilized by 0.9 V is possible. The operation control of V<sub>reg</sub> Constant voltage is controlled by V<sub>reg</sub> ON bit (φL3BA), if the bit is set “0”, the V<sub>reg</sub> terminal potential is outputted VDD level and set “1”, it becomes 1.5 V Constant voltage potential For this reason, it is set “1” at the time of PLL on mode and set “0” at the time of PLL off-mode. Unlock F/F detects the phase difference of a programmable counter division output and reference frequency to the timing from which about 180 degrees of phases shifted. When a phase does not suit at this time (that is unlock status), unlock F/F is set. The unlock F/F status is reset whenever the UNLOCK RESET bit is set as “1”.

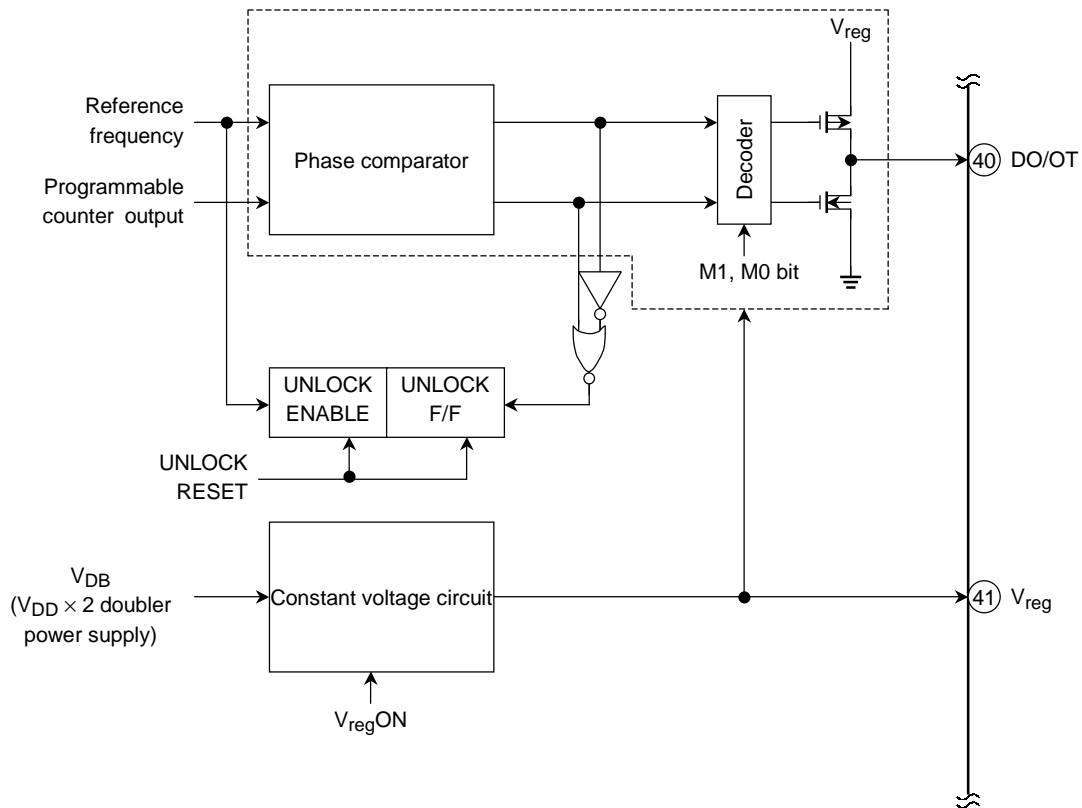
It is necessary to access to UNLOCK F/F after establishing more time than is required for the reference frequency cycle after the unlock F/F has been reset in order to detect the phase difference with the reference frequency cycle. It is for this purpose that the enable bit has been made available, but the unlock F/F must not be accessed until after it has been confirmed that the unlock enable has been set at “1”.

Note: When PLL off-mode is set up at the time of DO output setup, the toutput of this terminal becomes as high impedance. In DO terminal, when PLL off-mode or the clock stop mode is set up at the time of a general-purpose output port setup, this output state is held.

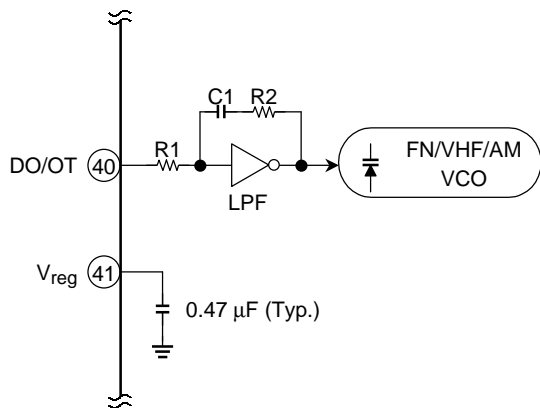
**2. Phase Comparator and Unlock Port timing**



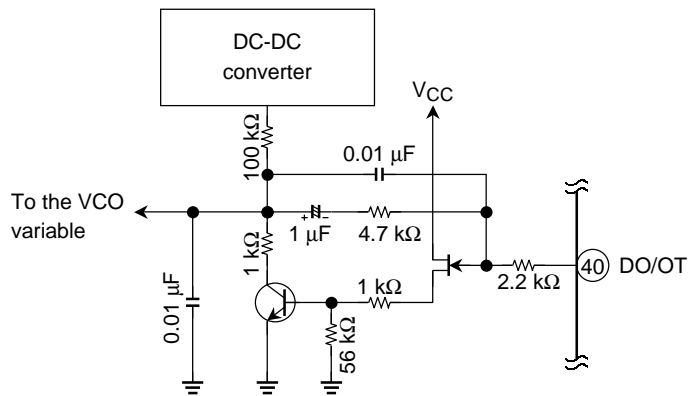
3. Phase Comparator and the Unlock Port Circuit Configuration



Note: At the time of PLL on mode, VregON bit is setup "1" and PLL off mode, set up "0".



Example of low pass filter circuit (for reference)



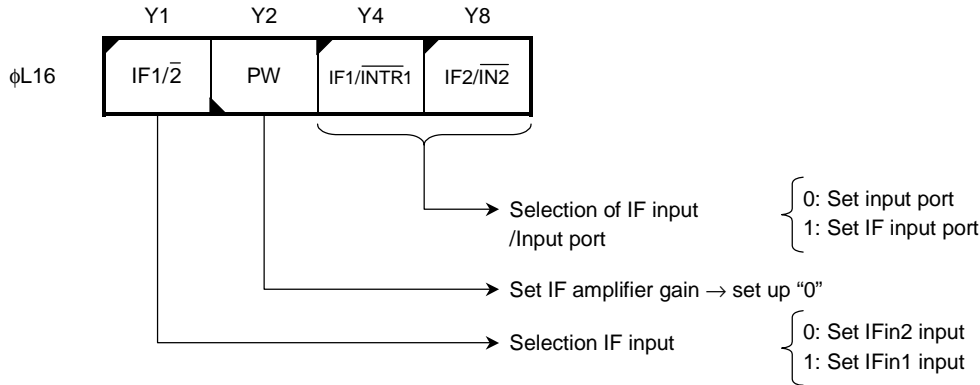
Example of an active low pass filter circuit (for reference)

Note: The filter circuits illustrated in the above diagrams are for reference purposes only. It is necessary to examine the system band configuration and characteristic and design actual circuits in accordance with requirements.

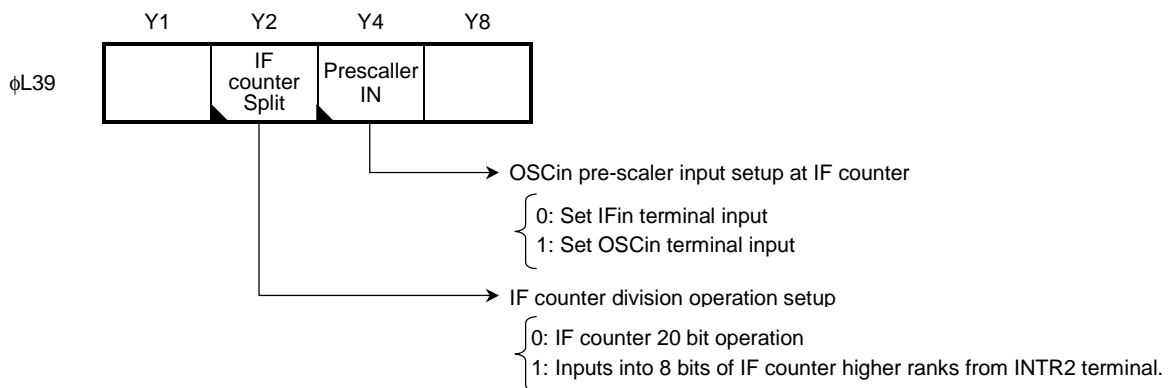
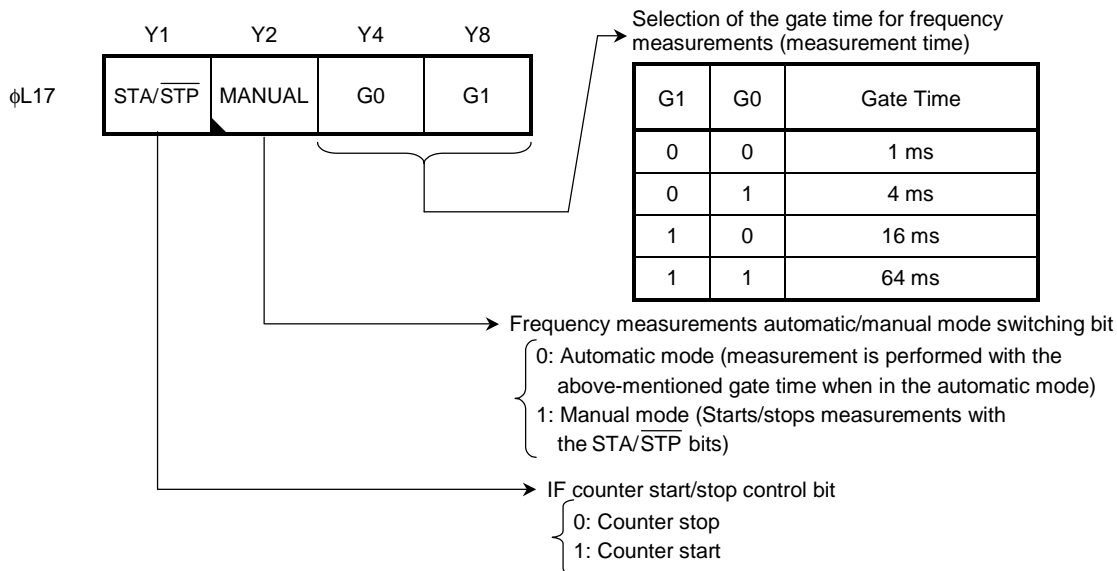
**IF Counter**

The IF counter is 20-bit general-purpose IF counter that calculates Fm and AM intermediate frequencies (IF) during auto-tuning and can be used for detecting auto-stop signals, etc. VCO of an analog tuner is measured and detection of received frequency and detection of CR oscillation frequency can be performed.

**1. IF Counter Control Port and Data Port**

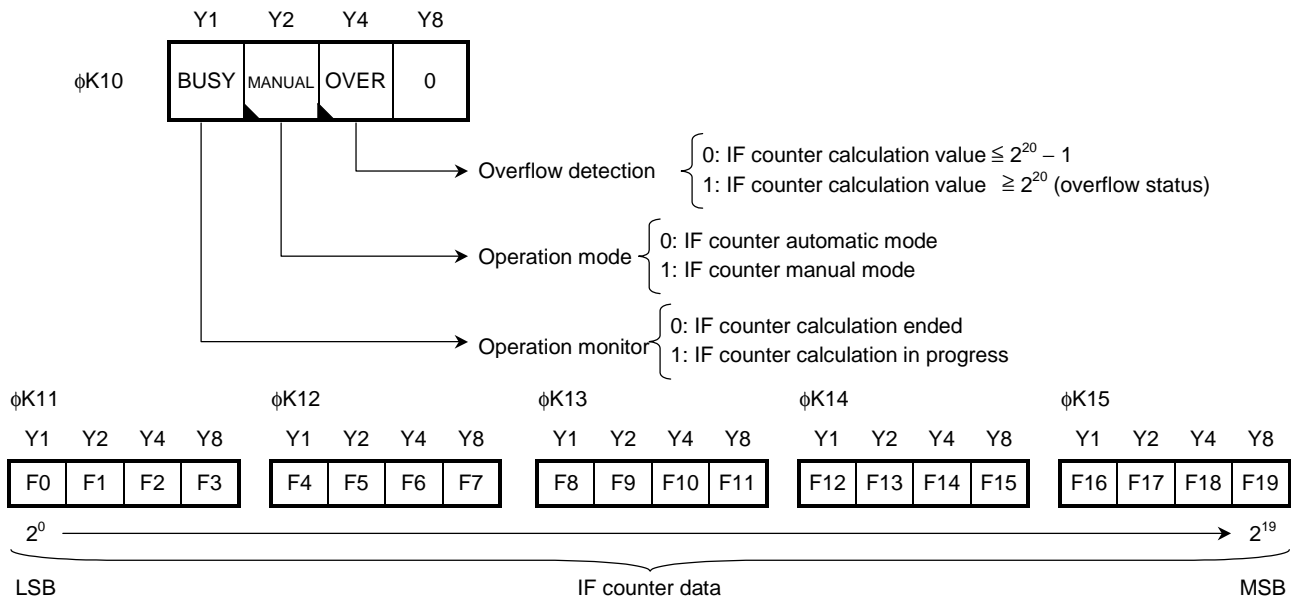


Note: At the time of an input port setup, the terminal becomes CMOS input type and be able to detect frequency by IF counter.



Note: When a pre-scaler input is set as IF counter input, at the time of a setup of a pulse-swallow system, pre-scaler; 1/15•16 are fixed to 16 division, and this frequency is inputted into IF counter.

Note: When a division operation setup of the IF counter is carried out, the counter of 8 bits of higher ranks is inputted from INTR2 terminal. However, only 8 bits of this higher rank cannot perform a gate setup by the auto mode. Reset of this counter is reset by setting up "1" to STA/STP bit.



Note: When it is set as IF input, in PLL off-mode, IF input amplifier is turned off in PLL-off mode. In using IF counter in PLL off-mode, it sets it as an input port (CMOS input).

Note: The input amplifier un-chosen by IF1/2̄ bit. If input amplifier turns off, this input will serve as high impedance.

(1) IF counter automatic mode

A setup in the auto mode of IF counter is set "0" to MANUAL bit and gate time is set up according to the frequency band to measure. If the STA/STP is set "1", operation of IF counter will be started and the set-up clock in gate time will be inputted, and this number of input pulses is counted and it ends. An end of the calculation of IF counter can be judged by referring to BUSY bit. When more 2<sup>20</sup> pulses are inputted for a total numerical value, OVER bit is set to "1". BUSY bit and OVER bit are judged "0" and the frequency inputted can be measured by taking in IF data of F0-F19.

(2) IF counter manual mode

By internal time base (10 Hz etc.), it is used when gate time is controlled and it measures frequency. The manual mode is set "1" to MANUAL bit. At this time, a gate time setup serves as don't care. In STA/STP bit is set to "1", it starts calculation. In STA/STP bit is set to "0", it will end and calculation will take in data by the binary.

(3) An input setup and division setup of IF counter

Usually, intermediate frequency (IF) Measurement is inputted into IFin1 or IFin2 terminal input, and measures this frequency. These terminals contain input amplifier and small-size width operation is possible. In addition, the following setup is possible to the input to IF counter, and use it for it according to specification.

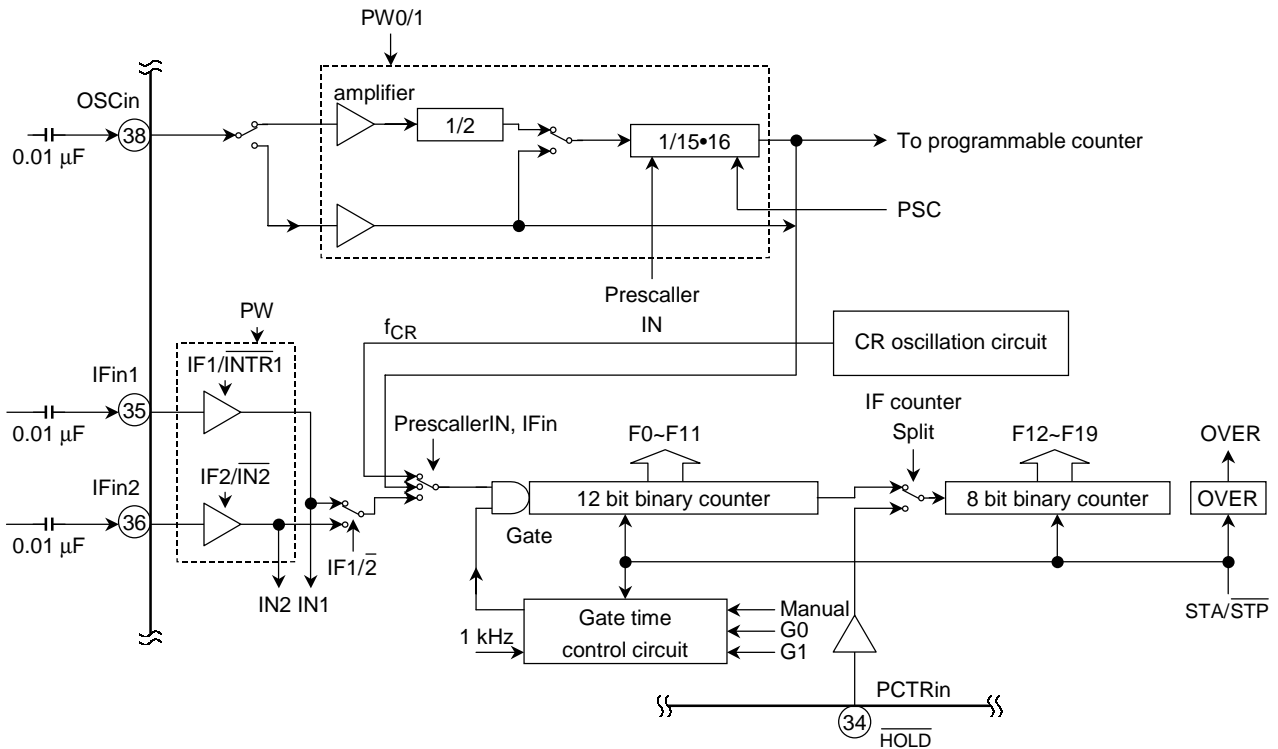
IF1/2̄	IF1/INTR1	IF2/IN2̄	IF counter Split	Prescaller IN	I <sub>fin</sub> (φL3B6:Y1)	IF Input Setup
1	1	*	0	0	0	IFin1 input (Amplifier operation)
1	0	*	0	0	0	INTR1 (IFin1) input (CMOS input)
0	*	1	0	0	0	IFin2 input (Amplifier operation)
0	*	0	0	0	0	IN2 (IFin2) input (CMOS input)
*	*	*	0	1	0	OSCin input
						VHF mode (32 divided frequency) (Note)
						FM mode (32 divided frequency) (Note)
						HF1/2 mode (16divided frequency) (Note)
						LF mode (inputted frequency) (Note)
*	*	*	0	1	1	CR Oscillation frequency (f <sub>CR</sub> )
*	*	*	1	*	*	Inputted from PCTRin (HOLD) terminal only 8 bits only of higher ranks.

Note: Refer to the programmable counter item for the input frequency range at the time of pre-scaler input setup.

## 2. IF Counter Circuit Configuration

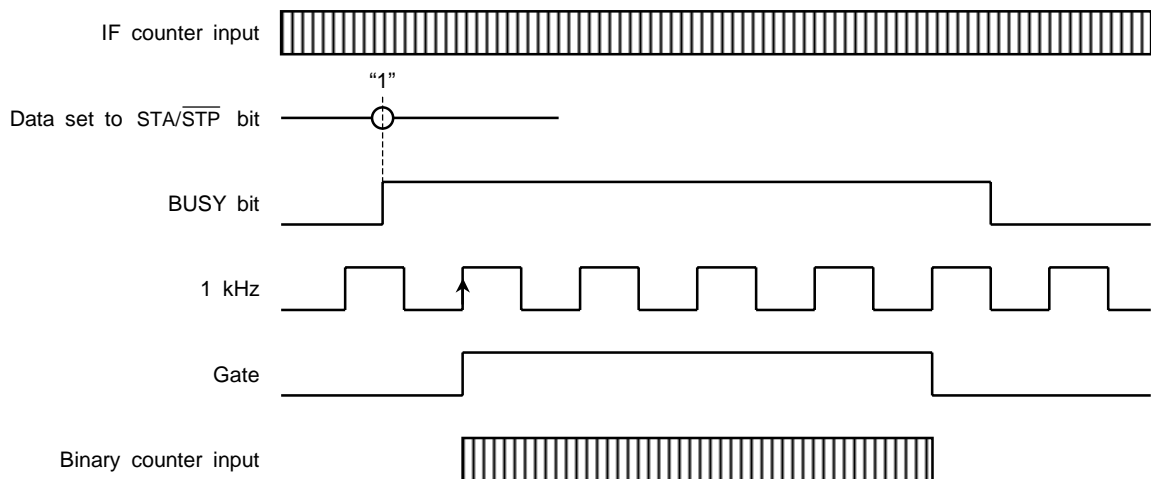
The IF counter consists of the input amplifier, the gate time control circuit and the 12 + 8 bit binary counter.

The clock of OSCin pre-scaler and CR oscillation clock can be inputted as an IF counter.



Note: All the binary counters of IF counter operate in a standup.

Note: When inputting OSCin input into IF counter, dividing frequency of pre-scaler ;1/15•16 are fixed to 1/16. For this reason, in VHF/FM mode, it becomes in 1/32 and HF mode is 1/16. In LF mode, the direct input of the OSC frequency can be done at IF counter.



The example of IF counter auto mode operation timing



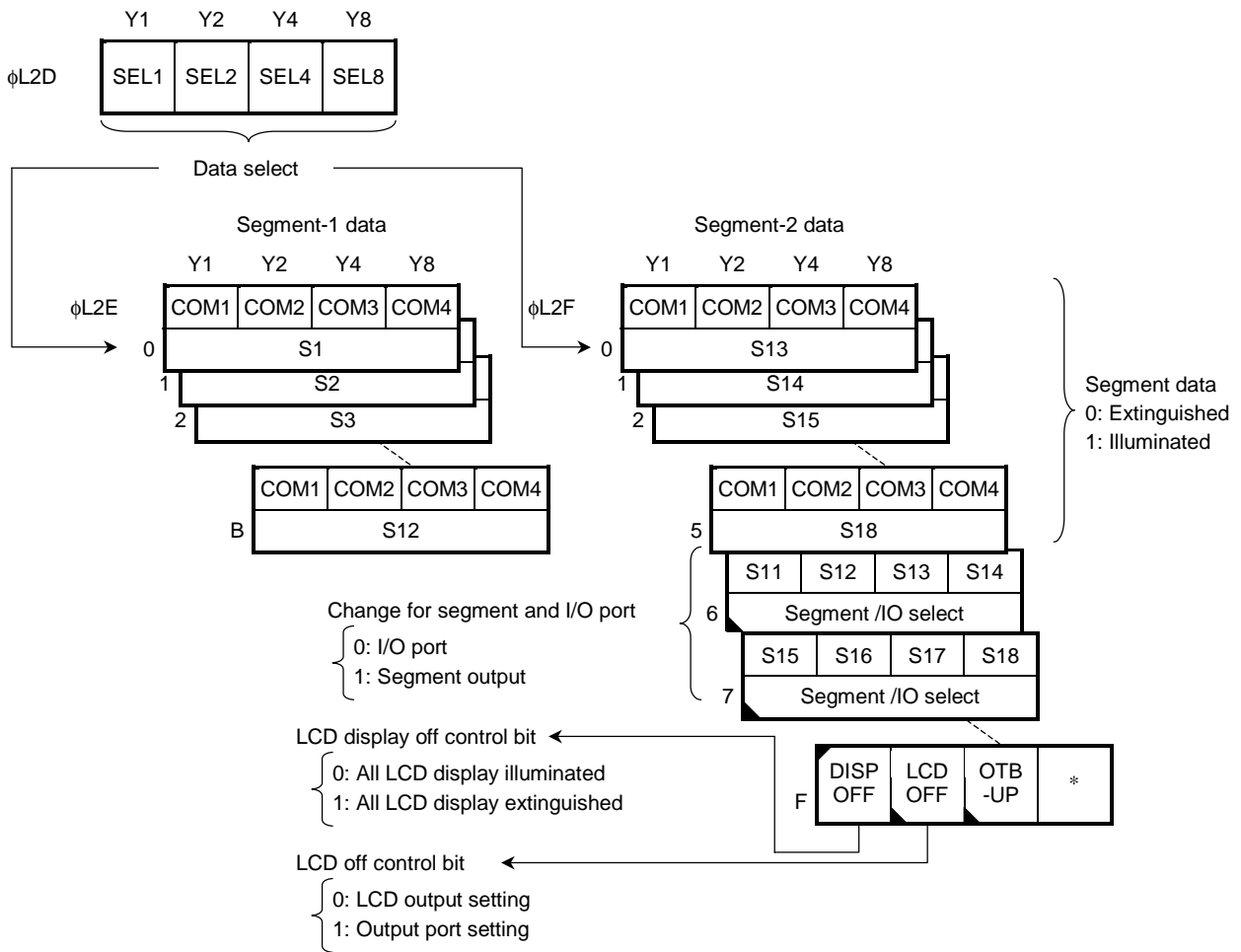
**LCD Driver**

The LCD driver uses the 1/4 duty and 1/2 bias drive method (62.5 Hz frame frequency).

The common output outputs the VLCD, VLCD/2 (VEE) and the GND electrical potential, and the segment output outputs the VLCD and GND electrical potential.

A combination of four common outputs and 18 segment outputs enables a maximum of 72 segments to be illuminated. The S11 to S18 segment output for LCD river are also used as the I/O port, after system reset is set as an I/O Port, and can perform a change of an I/O Port and a segment output per 1 bit. All LCD output terminals (COM1-S14) can be changed to an output port. The LCD driver is built-in a constant voltage circuit (VEE = 1.5 V) for display purposes and a voltage doubler circuit (VLCD = 3.0 V), The constant voltage circuit for display is used as for twice doubler voltage (VDB) is used. For this reason, LCD display stabilized even if power supply voltage was set to 0.9 V is possible.

**1. LCD Driver Port**



Note: If DISP off-bit is set "1", common output and a segment output are outputted at "L" A level.

Note: Segment data controls lighting/putting out lights of the segment corresponding to a common output and a segment output.

Note: At the time of clock stop mode and about 100 ms after system reset, all the common output and segment output is fixed at "L" level.

The LCD driver control port consists of the segment data selection port and the segment data port. These ports are accessed with Out2 instruction for which [CN = DH~FH] has been specified in the operand. The segment data for LCD driver is set with the segment data ports ( $\phi L2E$ ,  $\phi L2F$ ). The LCD display will be extinguished when the segment data port is set at "0", and will be illuminated when set at "1". Also, the segment-2 data ( $\phi L2FF$ ) specified with FH in the segment selection port becomes the DISP OFF bit and LCD OFF bit without setting the segment data.

It is possible to extinguish all LCD display with the DISP OFF bit without setting the segment data. In this bit If "1" is set, a common output and a segment output is fixed to "L" level and LCD display all puts out the light. In that time, segment data is held and if DISP off bit is set "0", former display is stilled display on LCD. In addition, rewriting of segment data is possible during DISP OFF. Moreover, after reset and CKSTP instruction execution, DISP off-bit is set to "1".

LCD off-bit can set all LCD output terminals as an output port. In LCD display, this bit is set "0".  
 (→ Refer to output port item)

S11 to S18 terminal is used as I/O Port. This control is done a segment/IO port select port ( $\phi L2F6$ ,  $\phi L2F7$ ).

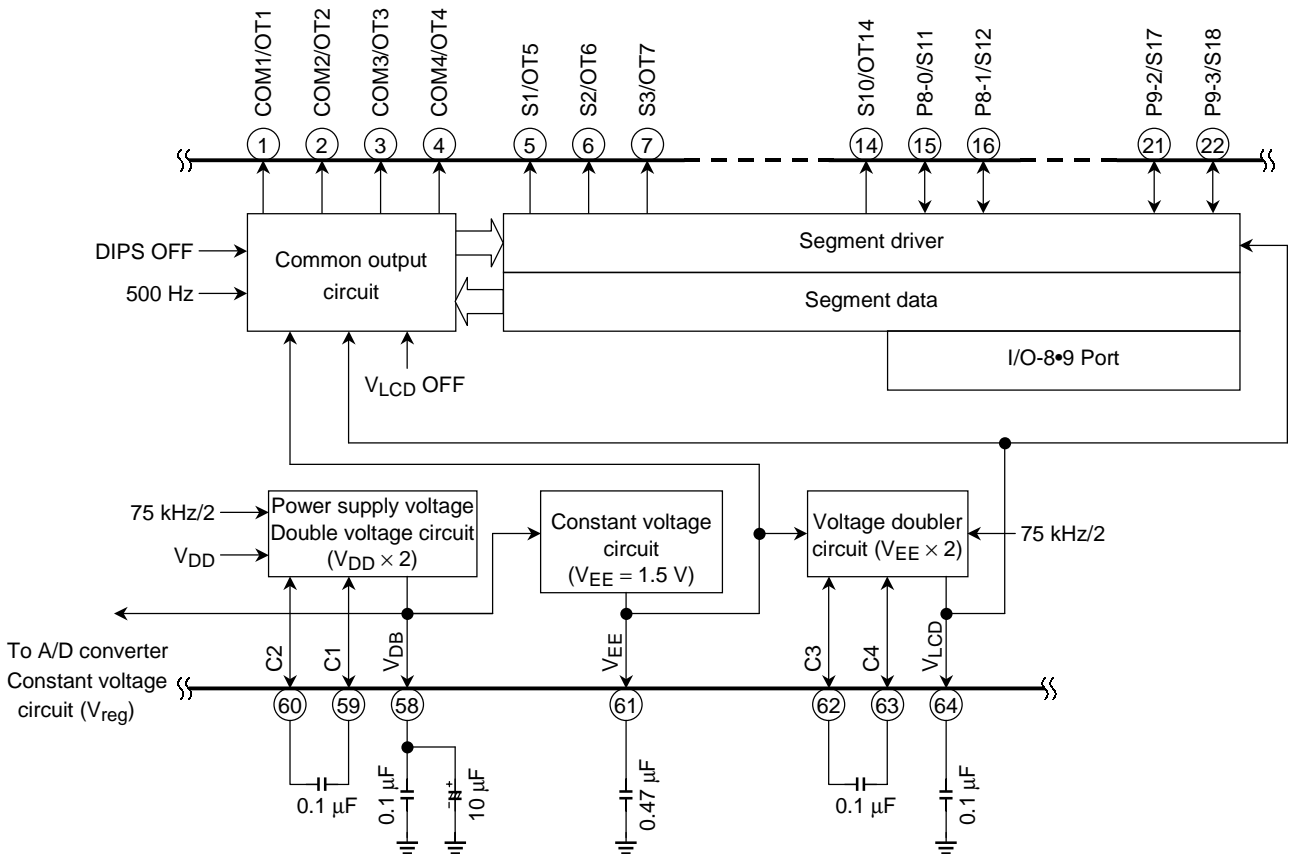
If the port is set "1", it will becomes segment output port and set "0", It will become an I/O Port.  
 (→ Refer to output port item)

These data is divided and undirected setting by data selects port ( $\phi L2D$ ). The data of a specification port to set a segment data port to beforehand is set, and the data port corresponding to it is accessed.

A data select port is +1 increment whenever accessing data port ( $\phi L2E$ ,  $\phi L2F$ ). For this reason, after setting up a data selection port, it can set up continuously.

Note: The data select port is +1 increment automatically by accessing  $\phi L2E$ ,  $\phi L2F$ ,  $\phi L3B$ ,  $\phi K3B$  on I/O map.

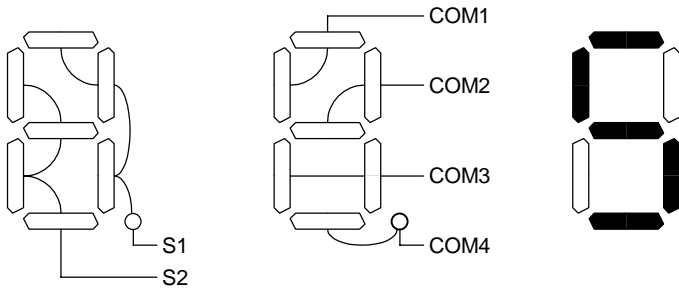
2. LCD Driver Circuit Configuration



Note: In case of setting I/O port, this output port is Nch open drain.

Note: In case of setting segment output as output port in setup "1" to VLCD OFF bit, "H" level of all output become VLCD potential output. When "H" output is made into VDD remove the capacitor between C3/C4, and connect VLCD and VDD.

Note: During the clock stop mode and reset, the potential of VLCD/VEE/VDB becomes as VDD level.



The example of segment data

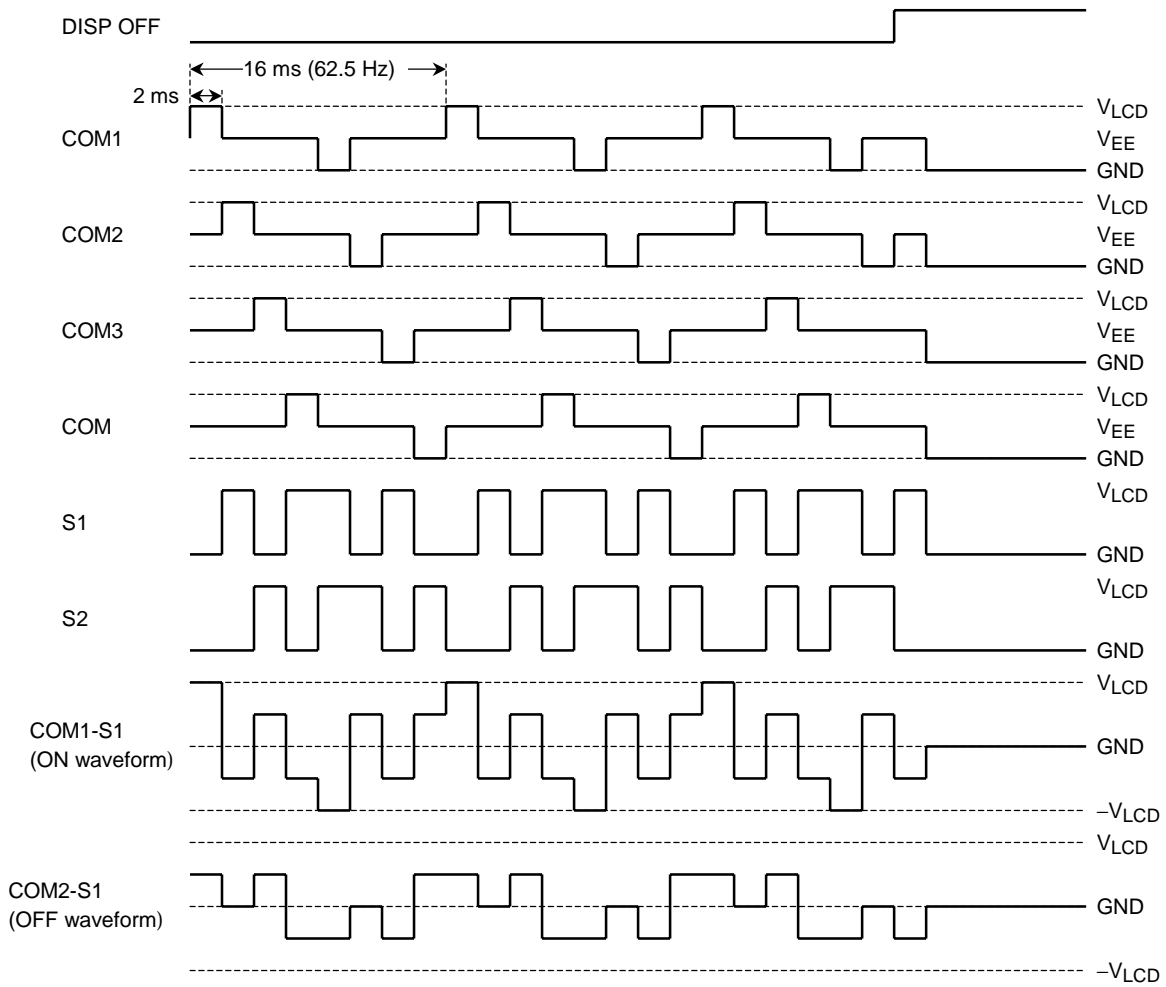
Segment data -1 ( $\phi$ L2E)

	Y1	Y2	Y4	Y8
0	COM1	COM2	COM3	COM4
(S1)	1	0	1	0

	Y1	Y2	Y4	Y8
1	COM1	COM2	COM3	COM4
(S2)	1	1	0	1

Segment data selection ( $\phi$ L2D)



The potential of LCD driver waveform outputs the potential of  $V_{LCD}$  and GND, and the middle potential level.

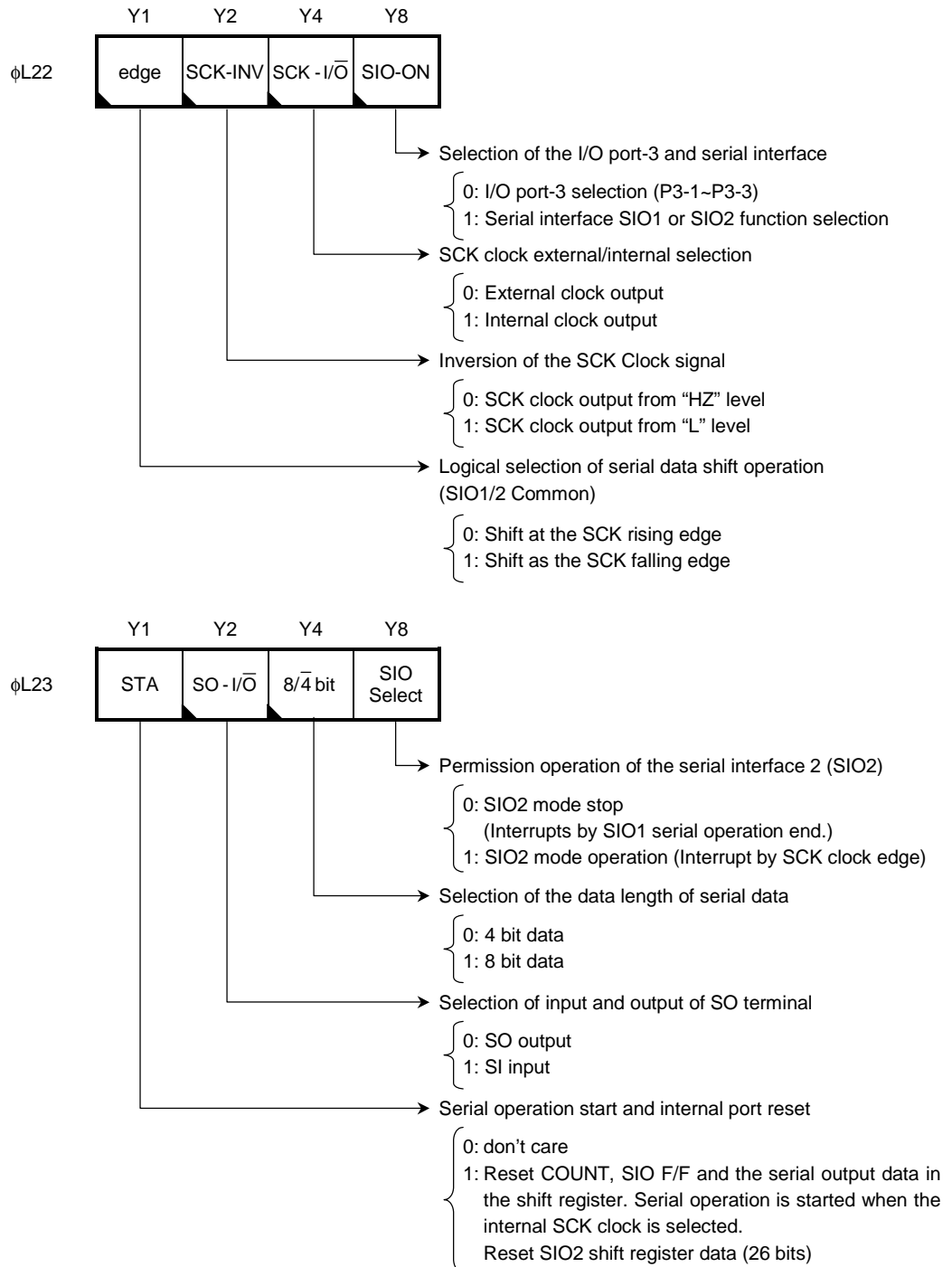
**Serial Interface (SIO1/2)**

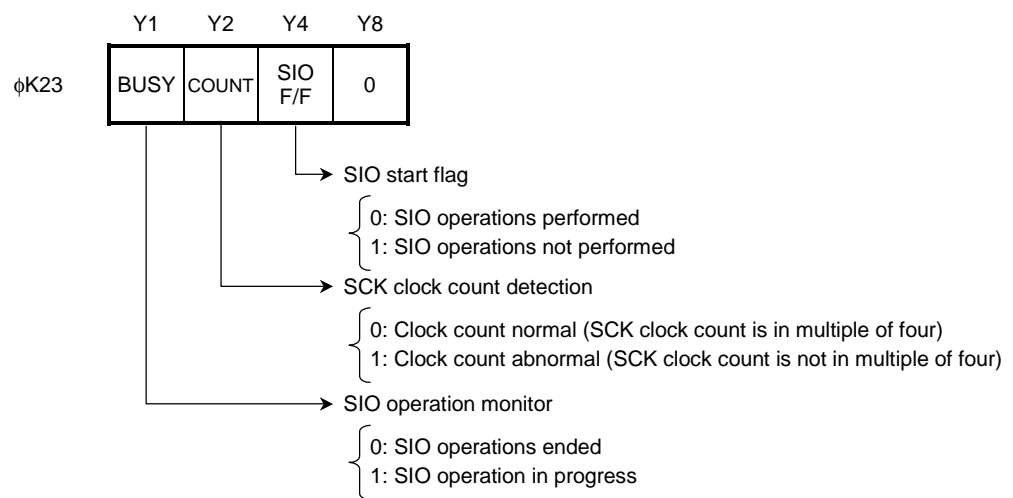
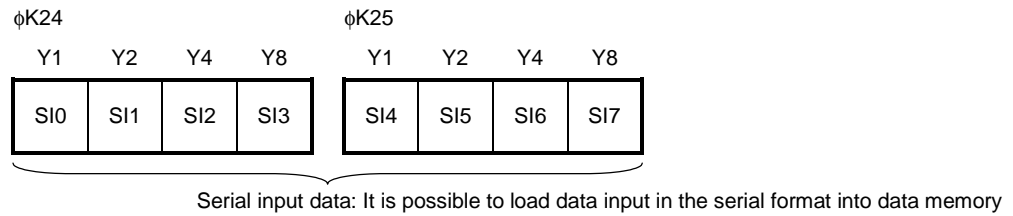
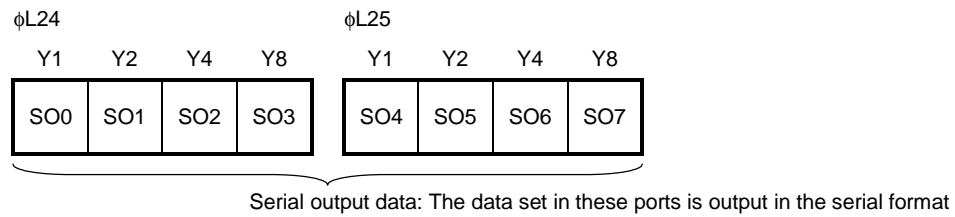
The serial interface has two kinds of serial interface (SIO1 and SIO2). SIO1 is the serial I/O Port, which transmits and receives data (4 bits or 8 bits) synchronizing with the serial clock of an inside or the exterior. SI, SO, and SCK terminal perform the transmission and reception with LSI for extension and a microcomputer, etc. An end of operation of a serial interface publishes interruption. All outputs are Nch open drain outputs.

SIO2 inputs 26-bit data serially synchronizing with an external serial clock.

In SIO2, it has the function, which decodes the inputted serial data, and interruption is published for every input serial clock edge.

**1. The Serial Interface's Control Port and Data Port**





Serial interface control and data are accessed with the OUT2 an IN2 instruction for which [CN = 2H~5H] has been specified in the operand.

The serial interface terminal is used together with the I/O-3 P3-1, P3-2, P3-3 terminals, and each of the I/O port-3 terminals are switched across to the SI, SO and SCK terminals by setting "1" in the SIOON bit.

Note: All the inputs of a serial interface build in the Schmidt circuit.

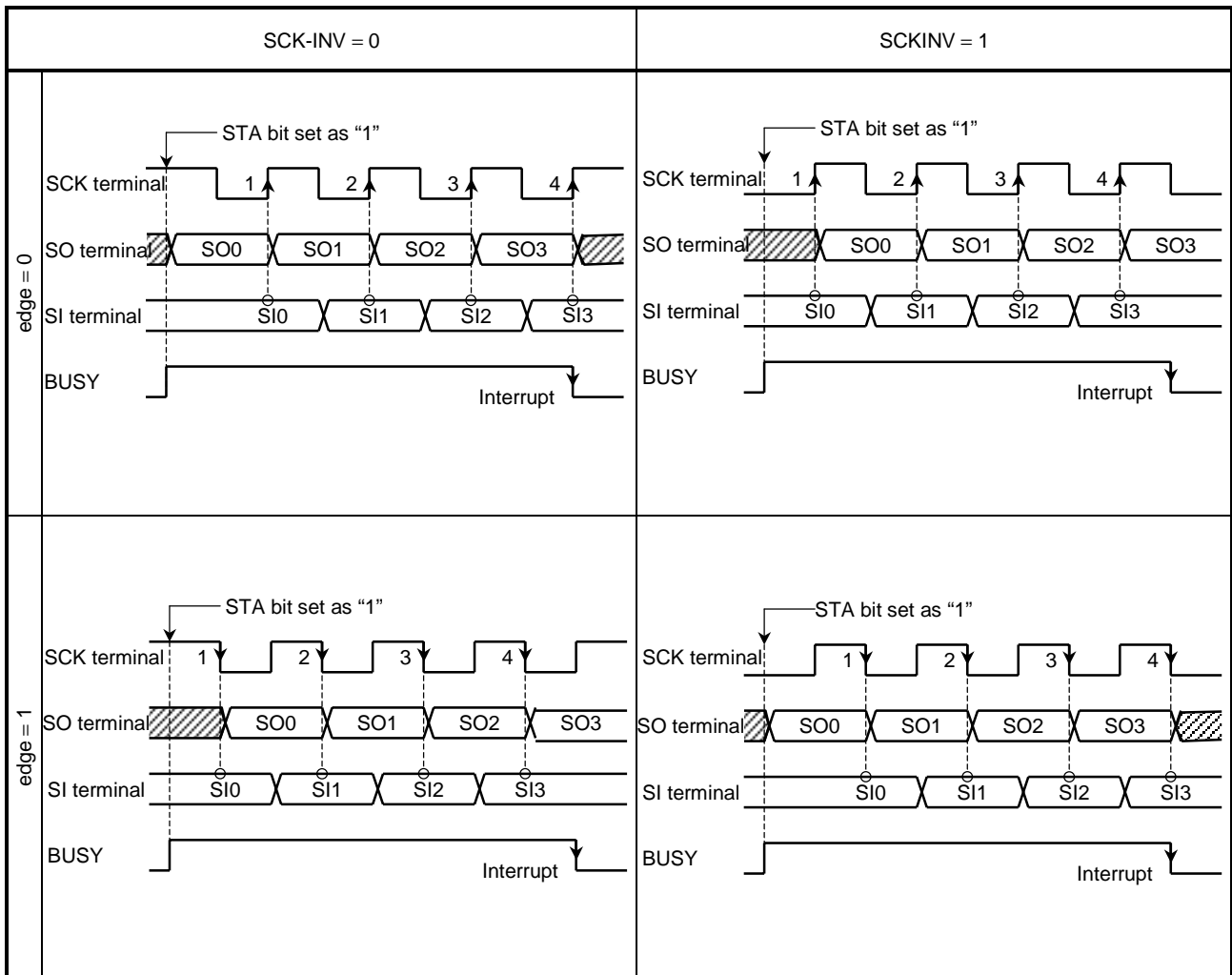
Note: Since SI (P3-1) terminal can be used as an I/O Port even when a serial interface is chosen, it can be used for the strike robe signal of SIO etc.

In case of using this terminal as a serial input, it is setup "1" of P3-1 and change into an input state.

edge, SCK-INV, SCK-I/O bit

The edge bit is setup the edge of a shift and the SCK-INV bit set up the input-and-output waveform of a shift clock. If the edge bit is set "0", (SCK) shift operation is done at rising edge and set "1", (SCK) Shift operation is done at falling edge. SCK-INV bit is set the bit of serial clock output from "H" or L". In case of setting "0", it starts shift operation from "H" output, and setting "1", it starts shift operation from "L" output. These bits perform serial operation as shown in the following table by setup. Set up by the serial format to control.

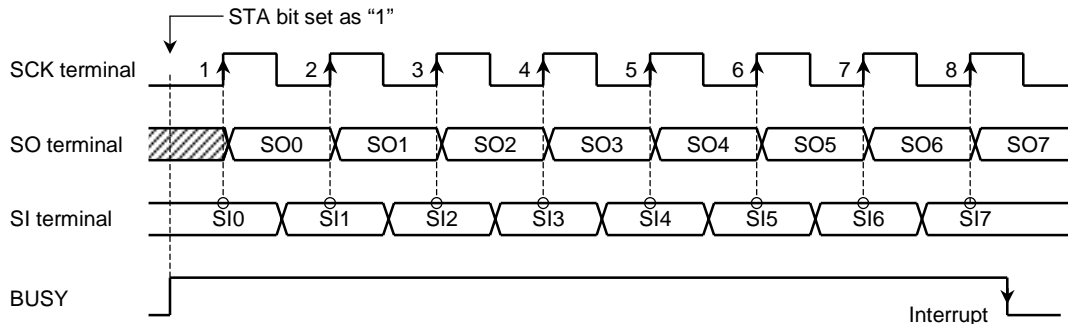
SCK-I/O bit is setup the input-output of serial clock. Usually, when this product is used as a master, t "1" to SCK-I/O bit and then it used as serial clock output and in the case of a slave, set to "0" and then it used as serial input.



Note: The "H" level of SCK/SO terminal is showed the pull-up status. This term will be in "HZ" state.

8/4 bit

The 8/4 bit selects the length of the serial data. The length of the serial data is set at 4 bits when this bit is "0", and at 8 bits when this bit is "1". If SIO is started when a serial clock is set as an internal clock, a clock (4 bits or 8 bits) will be continuously outputted by the state of this bit.

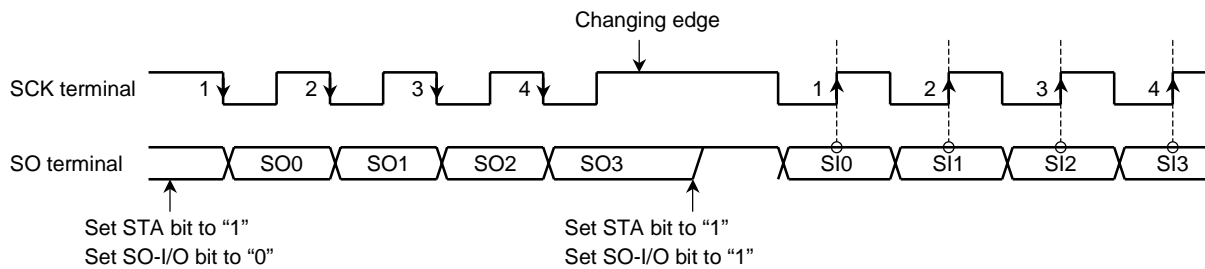


The example of serial operation at the time of setting it as 8 bit

SO-I/O bit

The bit sets the serial I/O for the SO terminal.

The SO terminal outputs serial data when the bit is set at "0", and the SO terminal is used for serial data input when this bit is set at "1". This control is used as the serial bus system which outputs and inputs serial data with one terminal.



Example for Serial input-output operation

Serial interface operation monitor

The operational status of the serial interface is determined by referencing the BUSY, COUNT, SIO F/F bits.

As the BUSY bit becomes "1" during SIO operations, control data switching and serial data access is performed when the BUSY bit is "0". It interrupts in falling of BUSY bit and a demand is published.

COUNT bit determines if the data sending/receiving has been performed in multiples of four, and "1" when not performed in multiples of four.

"1" is set in the SIO F/F bit when the SCK terminal commence shift operations.

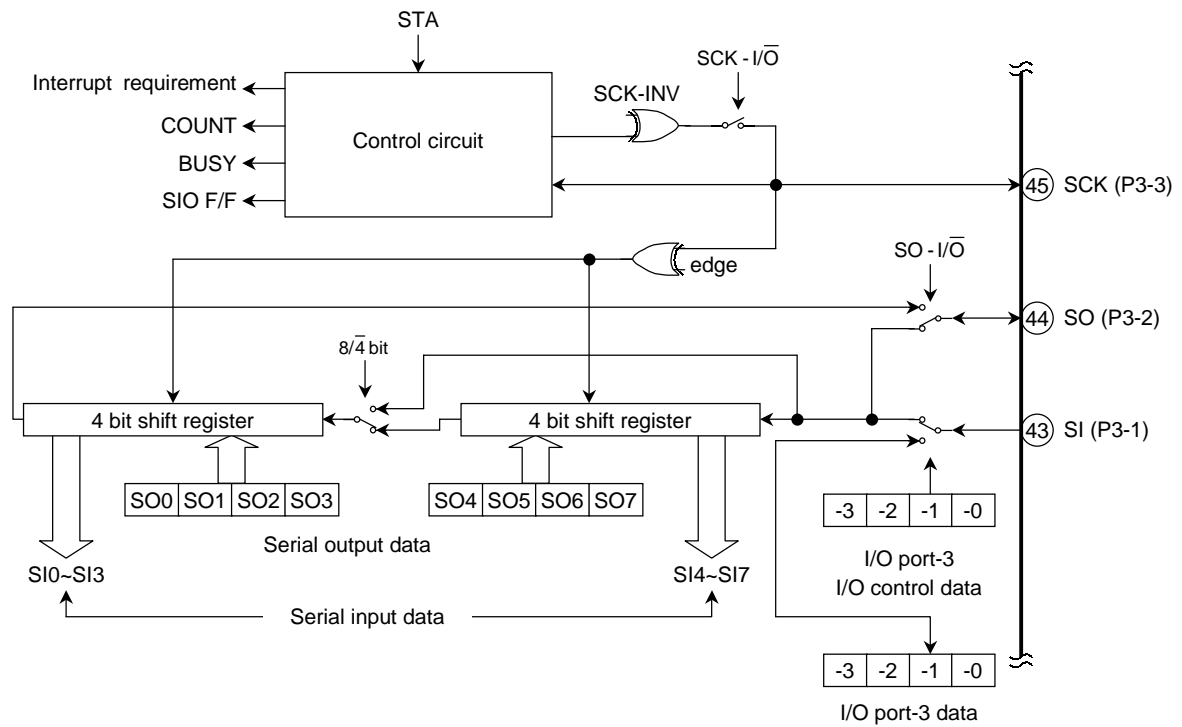
Both COUNT bit and SIO F/F bits are reset to "0" when "1" is set in the STA bit. These two bits are mostly used when the SCK terminal sets external clocks (slave mode). An external clock is inputted and it can be judged to be the information that serial data was transmitted and received whether operation was performed normally.

Usually, since interruption is published, interruption processing performs a serial interface end.

STA bit

STA bit is a bit of starting serial interface operation. Serial operation is started whenever STA bit sets "1". If STA bit setup "1", serial output data will be transmitted to a shift register, and COUNT bit and SIO F/F bit will be reset. When SCK clock is made an internal setup, a serial clock is outputted, and when an external setup of the SCK clock is carried out, it will be in the state waiting for a serial clock input.

**2. Composition of the Serial Interface 1 (SIO1)**



The serial interface 1 consists of a control circuit, a shift register, and an I/O Port.

Note: SI terminal can be used as I/O Port -3 (P3-1).

Note: As for data and serial input data, the contents of a shift register are taken in by the data memory. For this reason, the contents of the data set to serial output data and serial input data are not in agreement.

Note: All serial input terminals are the Schmidt input type.

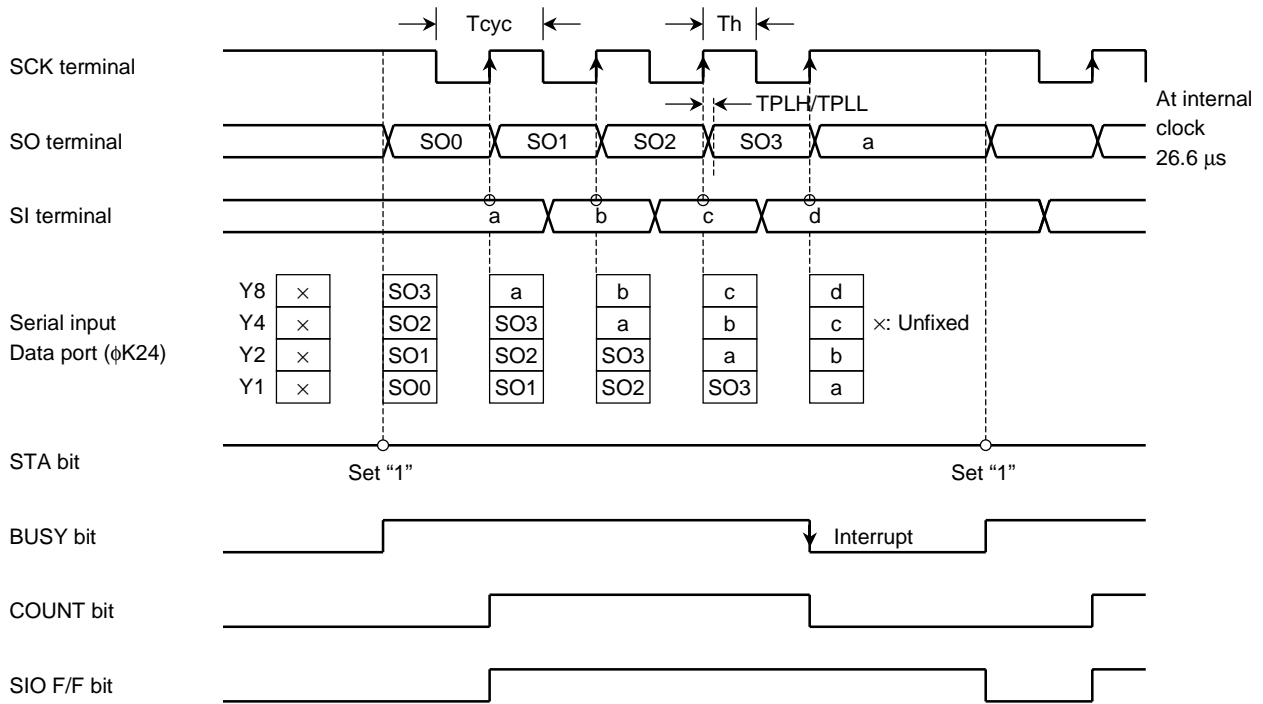
Note: The output of SO terminal and the serial clock output of SCK terminal are Nch open drain output. For this reason, connect pull-up resistance. In addition, please use pull-up potential below by 3.6 V.



### 3. Serial Interface Timing of SIO1 Circuit

The clock frequency outputted from SCK terminal when SCK clock is set as an internal clock is 37.5 kHz (Duty. = 50%). When SCK clock is considered as an external input, the clock of a maximum of 200 kHz can be inputted.

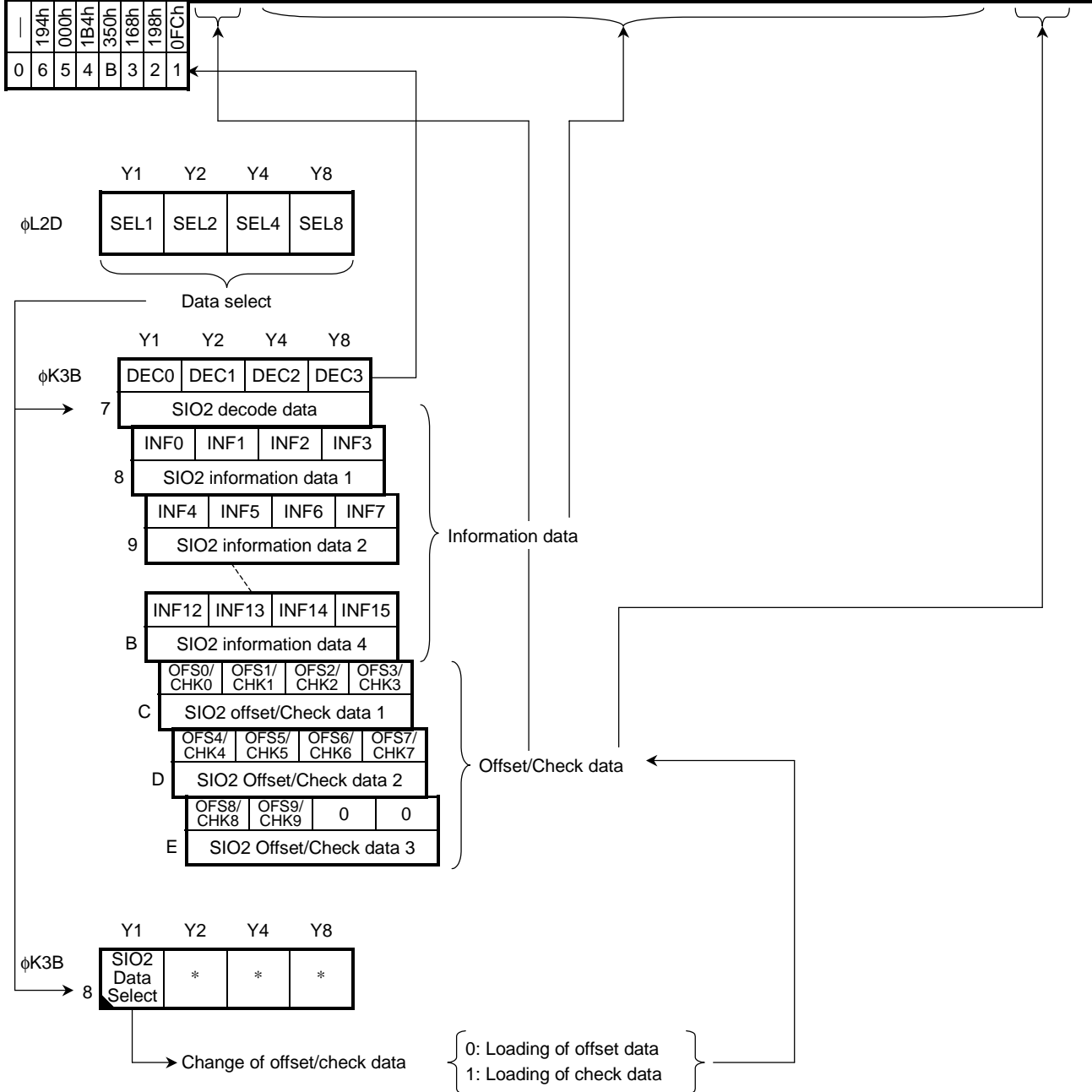
At external clock:  $T_{cyc} = 5 \mu s$  min,  $T_h = 2.5 \mu s$  min,  $T_{PLH}/T_{PLL} = 2 \mu s$  max  
 At internal clock:  $T_{cyc} = 26.6 \mu s$  typ.,  $T_h = 13.3 \mu s$  typ.,  $T_{PLH}/T_{PLL} = 2 \mu s$  max



**4. The Control Port of the Serial Interface 2 (SIO2), and a Data Port**

Note: ∇: EXOR (Exclusive logic sum)

Other data	0	0	0	1	0	0	0	OFS9 = (INF14 ∇ INF13 ∇ INF12 ∇ INF11 ∇ INF10 ∇ INF5 ∇ INF4 ∇ INF3 ∇ INF2 ∇ INF1)	∇CHK8
	1	0	1	1	1	1	0	OFS8 = (INF13 ∇ INF12 ∇ INF11 ∇ INF10 ∇ INF9 ∇ INF4 ∇ INF3 ∇ INF2 ∇ INF1 ∇ INF0)	∇CHK8
	1	0	1	0	0	1	1	OFS7 = (INF14 ∇ INF13 ∇ INF9 ∇ INF8 ∇ INF5 ∇ INF4 ∇ INF0)	∇CHK7
	0	0	0	1	1	0	1	OFS6 = (INF15 ∇ INF14 ∇ INF11 ∇ INF10 ∇ INF8 ∇ INF7 ∇ INF5 ∇ INF2 ∇ INF1)	∇CHK6
	0	0	1	0	1	0	1	OFS5 = (INF15 ∇ INF14 ∇ INF13 ∇ INF10 ∇ INF9 ∇ INF7 ∇ INF6 ∇ INF4 ∇ INF1 ∇ INF0)	∇CHK5
	1	0	1	1	0	1	1	OFS4 = (INF15 ∇ INF11 ∇ INF10 ∇ INF9 ∇ INF8 ∇ INF6 ∇ INF4 ∇ INF2 ∇ INF1 ∇ INF0)	∇CHK4
	0	0	0	0	1	1	1	OFS3 = (INF13 ∇ INF12 ∇ INF11 ∇ INF9 ∇ INF8 ∇ INF7 ∇ INF4 ∇ INF2 ∇ INF0)	∇CHK3
	1	0	1	0	0	0	1	OFS2 = (INF15 ∇ INF14 ∇ INF13 ∇ INF8 ∇ INF7 ∇ INF6 ∇ INF5 ∇ INF4 ∇ INF2)	∇CHK2
	0	0	0	0	0	0	0	OFS1 = (INF15 ∇ INF14 ∇ INF13 ∇ INF12 ∇ INF7 ∇ INF6 ∇ INF5 ∇ INF4 ∇ INF3 ∇ INF1)	∇CHK1
	0	0	0	0	0	0	0	OFS0 = (INF15 ∇ INF14 ∇ INF13 ∇ INF12 ∇ INF11 ∇ INF6 ∇ INF5 ∇ INF4 ∇ INF3 ∇ INF2 ∇ INF0)	∇CHK0



The data port of the serial interface 2 (SIO2) is constituted of 16-bit information data ( $\phi$ K3B8~B), 10-bit check data, 10-bit offset data and 4-bit decoding data ( $\phi$ K3B7). In 26-bit serial data, serial data of 16-bit are information data and 10-bit are check data. As shown in the above-mentioned table, the data that took the exclusive logic sum of each bit of 26-bit data turns into offset data. Furthermore, when the offset data is specialized in the above -mentioned, the data of 1~6h and Bh are outputted as 4-bit decoding data. Loading port of check data and offset data ( $\phi$ K3BC~E) are common and selection of loading is SIO2 data Select bit ( $\phi$ L3B8). If the bit is set to "0", the offset data will be loaded and set to "1", the check data will be loaded.

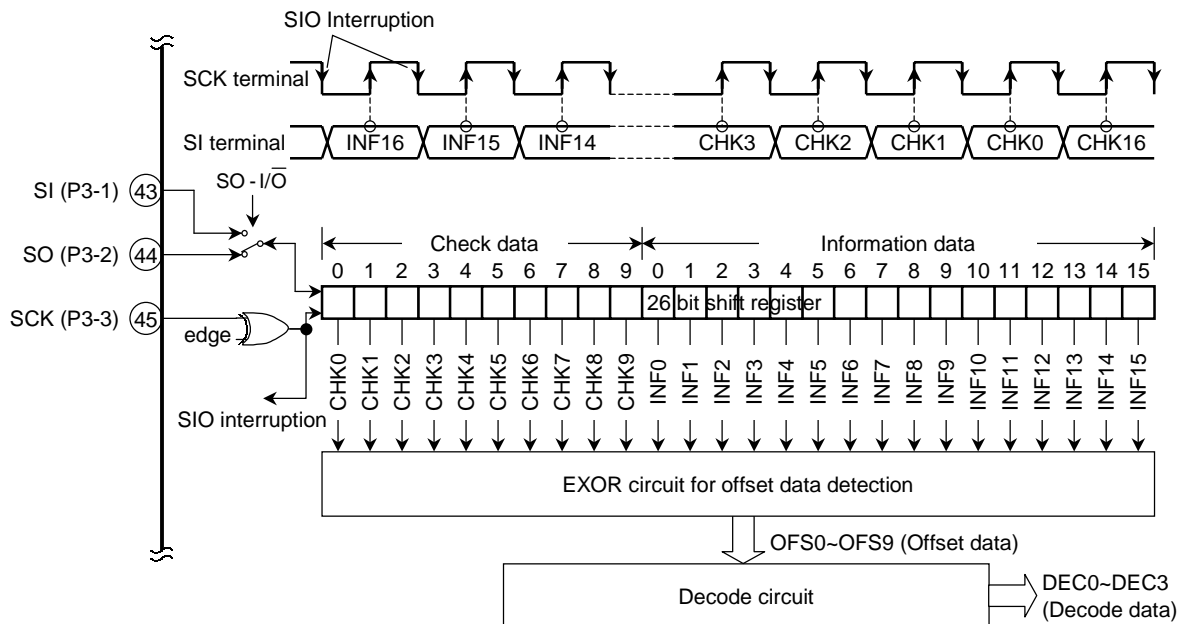
If the data "1" is set to SIOon bit ( $\phi$ L22) and SIO Select bit ( $\phi$ L23), SIO2 will be in a permission state of operation. If the data "1" is set to STA bit ( $\phi$ L23), 26-bit shift registers are all reset and SI terminal input state will be serially inputted one by one by the shift register with the shift clock of SCK terminal clock. If SIO interruption is permitted at this time, interruption will be published with edge contrary to the shift edge of a shift clock. SI terminal and SO terminal can be changed to a serial input terminal by the SO-I/O bit, if the data "0" is set up, SI terminal will serve as a serial data and "1" will be set up, SO terminal will serve as a serial data input. If SI terminal is selected as a serial input, since SO terminal turns into a SIO1 serial output terminal, we recommend use of SO terminal to a serial input.

These data is divided and indirect specified set up by the data select port ( $\phi$ L2D). The data of a specification port to set DAL address port to beforehand is set, and the data port corresponding to it is accessed. A data selection port is +1 increment by accessing of DAL address port ( $\phi$ KL3B). For this reason, after setting up a data selection port, it can set up continuously.

Note: The data select port is +1 increment automatically by accessing  $\phi$ L2E,  $\phi$ L2F,  $\phi$ L3B and  $\phi$ K3B on I/O map.

Control and serial data of the serial interface-2 is accessed with the OUT2 instruction for which [CN = 3H] has been specified in the operand.

**5. Control and Serial Data of the Serial Interface 2**



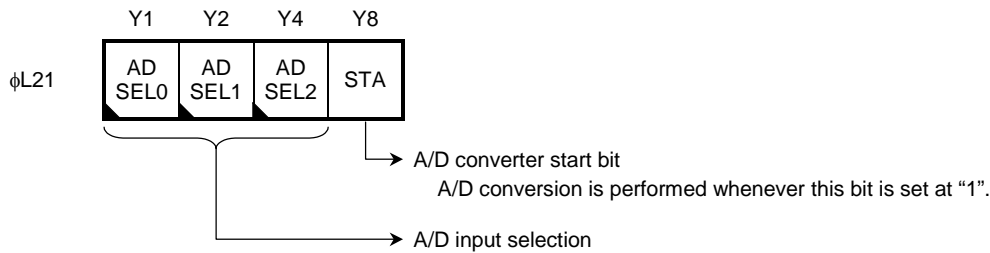
Note: If SI terminal is used for a serial input, SO terminal will serve as a SIO1 serial output. When SI terminal is used as serial input, output data of P3-1 is set to "1" and changes into an input state.

Note: Serial input is inputted and shifted also SIO1 at the same time.

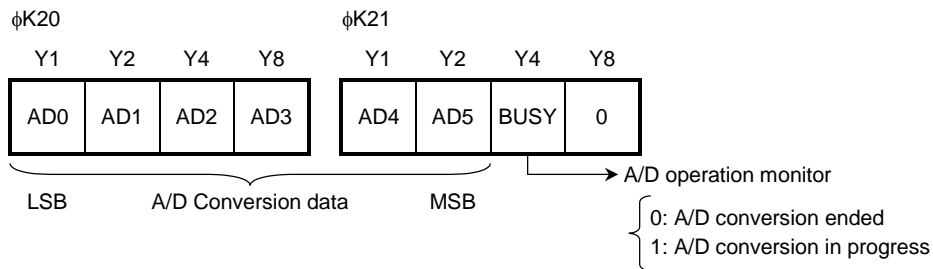
**○ A/D Converter**

The A/D converter is used for measuring the strength of electric fields and the voltage of batteries with 4-channel 6-bit resolution..

**1. A/D Converter Control Port and Data Port**



SEL2	SEL1	SEL0	ADINPUT
0	0	0	ADin1
0	0	1	ADin2
0	1	0	ADin3
0	1	1	ADin4
1	*	*	V <sub>reg</sub> /2



A/D converter is the serial comparison systems of 6 bit decomposition ability.

The standard voltage of A/D conversion is an internal power supply (V<sub>DD</sub>). The voltage which divided this power supply into 64 and A/D input voltage is compared, and data is outputted to A/D conversion data port. A/D conversion input follows multiplex method for the 4-external input terminals (ADin1~ADin4 terminal) and the 1/2 potential of V<sub>reg</sub> terminal voltage, and selected by AD SEL0 to AD SEL2 bits.

The A/D converter performs A/D conversion whenever the STA bit is set at “1”, and this is ended after seven machine cycles (280 μs). A/D conversion completion is determined by referring the BUSY bit, and the A/D conversion data is loaded into the data memory after conversion has finished.

The result of A/D conversion is required for by the following calculation.

$$V_{DD} \times \frac{n - 0.5}{64} \quad (63 \geq n \geq 1) \leq \text{A/D Input voltage} \leq V_{DD} \times \frac{n + 0.5}{64} \quad (62 \geq n \geq 0)$$

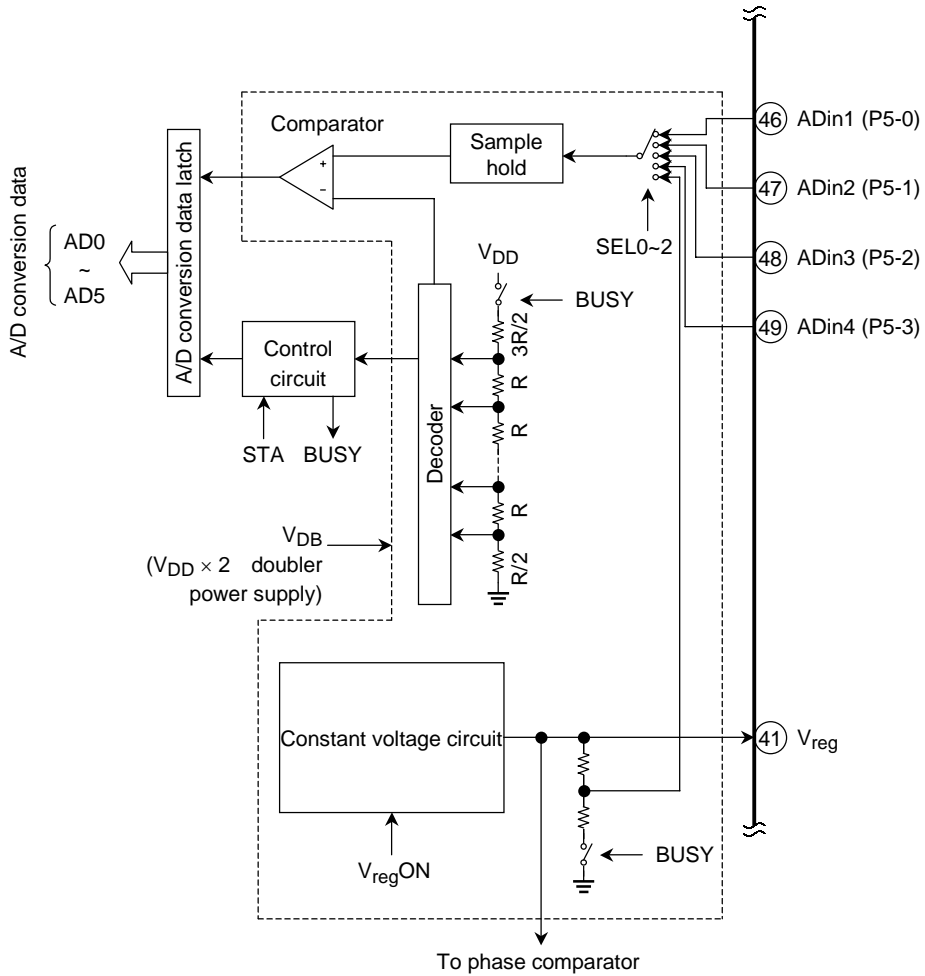
(n is A/D conversion data value. [Decimal])

V<sub>reg</sub>/2 to A/D input are used for battery detection. V<sub>reg</sub> potential is 1.5 V ± 0.15 V and 1/2 potential: 0.75 V ± 0.075 V of V<sub>reg</sub> terminal voltage is chosen as A/D input, and V<sub>DD</sub> potential which is standard potential can be detected by carrying out A/D conversion of this potential. When V<sub>DD</sub> potential is 1.5 V, A/D conversion data is set to 20H, and if A/D data goes up and V<sub>DD</sub> potential serves as 0.75 V as V<sub>DD</sub> potential falls, it will serve as 3FH. In case of using this function, V<sub>reg</sub>ON bit is set up “1”.

These control are accessed with the OUT2/IN2 instruction for which [CN = 0H, 1H] has been specified in the operand.

Note: If V<sub>reg</sub>ON bit is set up “1”, CPU operating consumption current is increased. V<sub>reg</sub> terminal is power supply for phase comparator.

**2. A/D Converter Circuit Configuration**



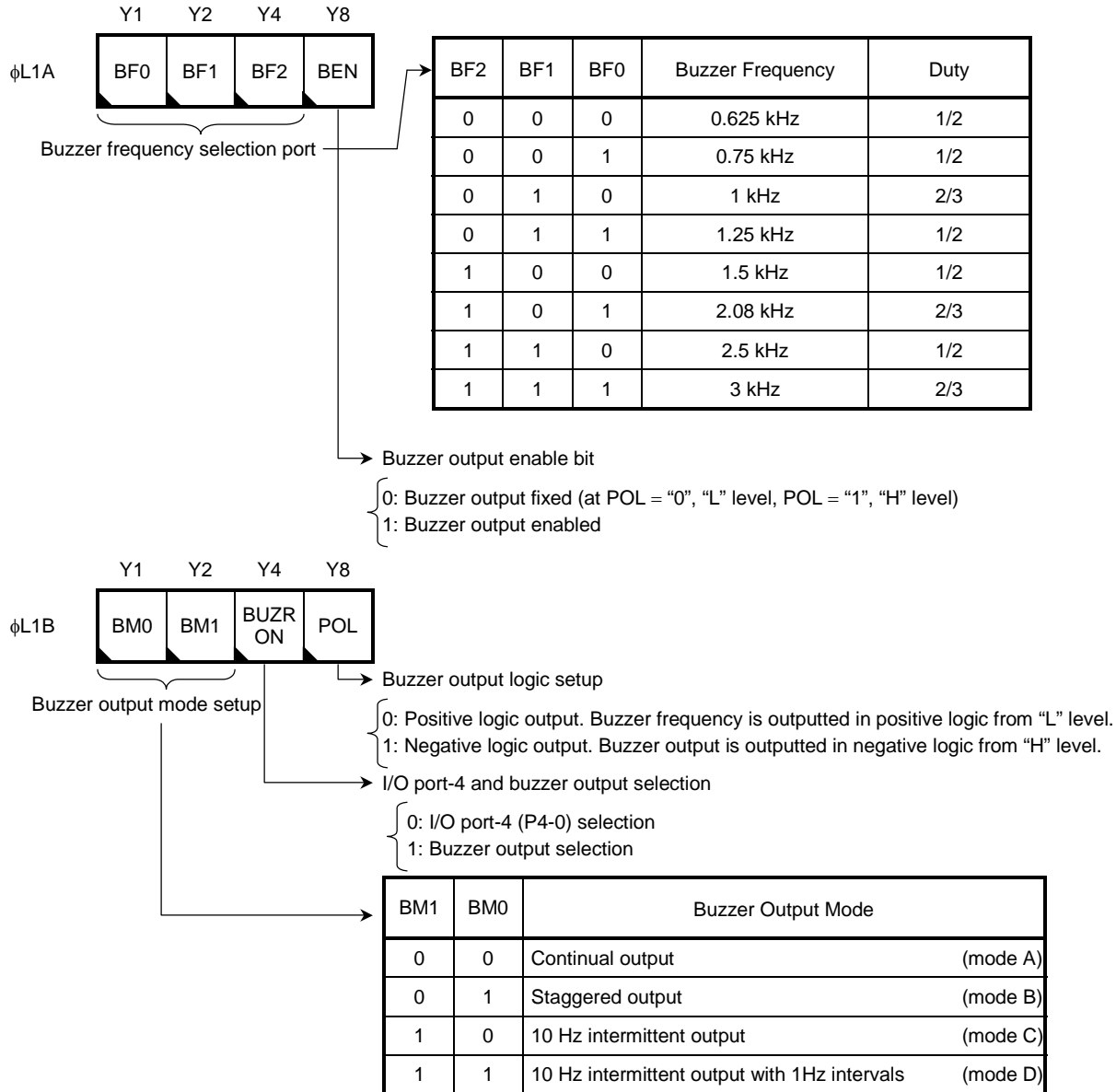
The A/D converter consists of a 6-bit D/A converter, a comparator, an A/D conversion latch and control circuit. Only when BUSY bit is "1", 6 bit D/A converter and a comparator part is in order to operate, no current consumption of A/D converter between A/D converter un-operating. 1/2 potential of  $V_{reg}$  constant voltage can choose as A/a D input. A/D converter part is driving using by doubler voltage  $V_{DB}$  (two times to  $V_{DD}$ ).

Note: To the output data of I/O Port -5 (Nch open drain) corresponding to A/D input terminal to use set up "1" and use it by changing into an input state.

**○ Buzzer Output**

The buzzer output can be used to output tones and alarm tones to confirm key operations and the tuning scan mode. Buzzer type scan be selected from a combination of four output modes and eight different frequencies.

**1. Buzzer Control Port**



The buzzer output is used also P4-0 I/O Port. In order to set it as a buzzer output, BUZR ON bit is set up "1" and it changes to a buzzer output by setting it as an output by the P4-0 I/O control port. After logic setting up of buzzer frequency, mode setup and a logic setup, buzzer enable bit is set up "1", it outputs buzzer. At the time of condition setup, buzzer enable bit is setup "0".

In Continuation output mode (mode A), if buzzer enable bit is set "1", buzzer frequency will be outputted continuously, and if "0" is set, a buzzer output will stop. In staggered output mode, whenever buzzer enable bit is set "1", buzzer is outputted and stopped between 50 ms.

Under a buzzer output (50 ms), if buzzer enable bit is set "1" again, 50 ms extension is carried out and the buzzer of 100 ms can be made to output.

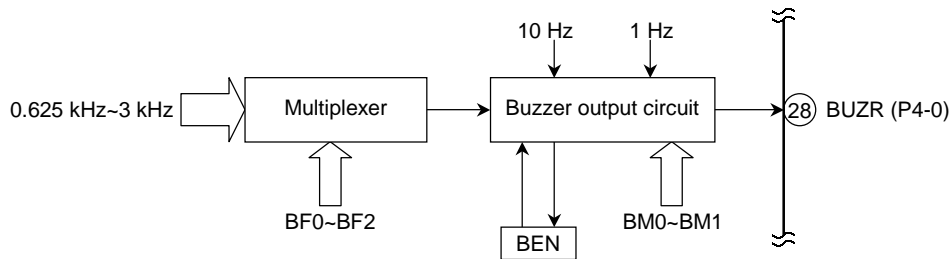
Since it will be extended with 150 ms if it sets again between extended 50 ms, buzzer output time can be set up easily.

10 Hz intermittence output mode (mode C), if buzzer enable bit is set of "1", 50 ms buzzer output and 50 ms buzzer pause is carried out continuously. And a set of "0" stops a buzzer output.

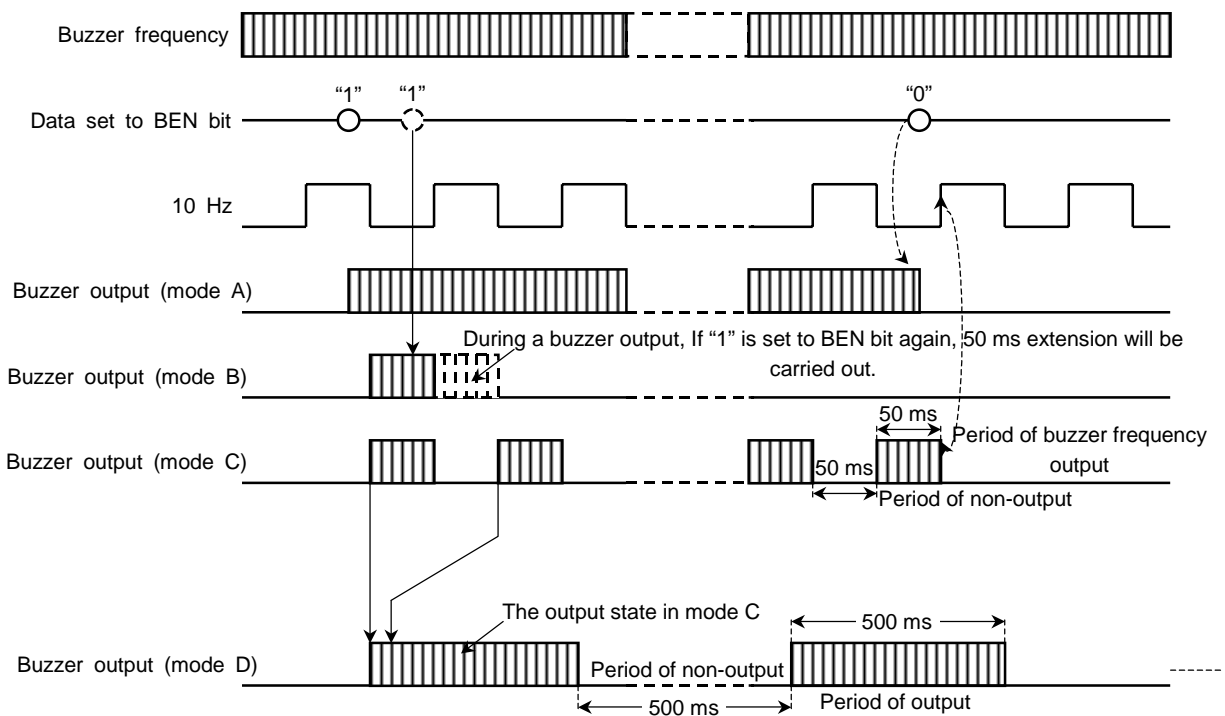
10 Hz intermittent output with 1 Hz intervals mode (mode D), if buzzer enable bit is set "1", 50 ms buzzer output and 50 ms buzzer pause will carry out 500 ms output, after that 500 ms pause output of 50 ms buzzer output and the 50 ms buzzer pause is carried out again, and this operation is repeated. A set of "0" stops a buzzer output. At mode B, C, and D, a buzzer is in an output state, even if it sets "0" to buzzer enable bit and it makes it stop, the buzzer of 50 ms is outputted and stops. In addition, a buzzer output state can be judged according to the contents of a timer port. The timer port 10 Hz bit is "0", buzzer is an output state and it is in a pause state at the time of "1".

The control of buzzer is accessed by the OUT 1 instruction for which [CN = AH, BH] has been specified in the operand.

**2. Buzzer Circuit Configuration**



**3. Buzzer Output Timing**



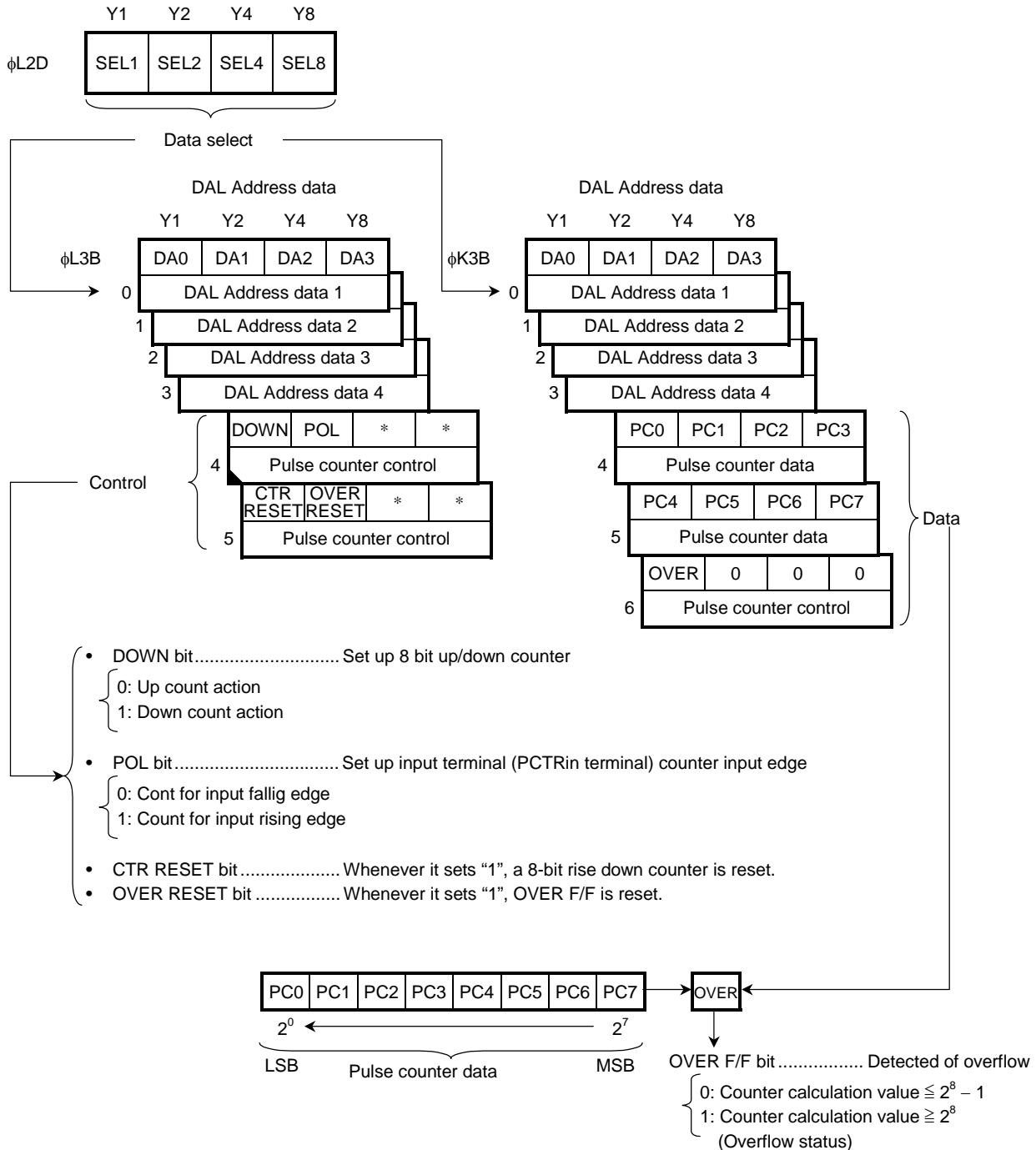
Note: When making a buzzer output, it sets up an output state about P 4-0 (set "1" to I/O control port)

Note: Change of buzzer frequency is updated by change of 10 Hz.

**○ Pulse Counter**

The pulse counter is 8-bit up/down counter and detection of the number of clocks can be performed with PCTRin terminal (CMOS input type) used also  $\overline{\text{HOLD}}$  terminal. It can use for the count and detection of a tape run.

**1. Pulse Counter Control Port, Data Port**





The pulse counter measures pulse number of PCTRin terminal.

POL bit set up the clock edge of input terminal. If "0" is set, it will count in the falling of an input and it will set to "1", it will count in the rising of an input. Usually, this bit is used fixed.

DOWN bit sets up a up/down of 8-bit counter. If it sets to "0" and it will set to rise count operation and "1", down count operation will be done. A change of a rise/down can be performed freely. However, if a clock pulse is inputted during change command execution, since it is canceled, be careful of this count.

When  $2^8$  or more pulses are inputted, OVER F/F bit is set to "1". When performing count operation of 8-bits or more, this OVER F/F are detected, and on a data memory, only the number of times of overflow is added and subtracted, and can correspond. After detection by this bit, and OVER RESET bit is set "1" and OVER F/F is reset. CTR RESET bit resets only 8-bit counter. The counter is reset whenever it sets "1".

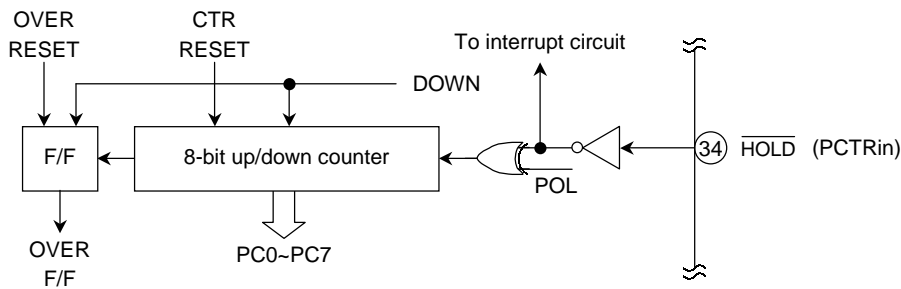
Counter data loaded data in a data memory by the binary.

The control of pulse counter and data loading is accessed with the OUT3/IN3 instructions for which [CN = BH] have been specified in the operand and arranges in DAL address register port. This port is set up by data select port ( $\phi$ L2D), which specified the division. The data of a specification port to set beforehand is set and the data port corresponding to it can be accessed. The data select port is +1 increments whenever it accesses DAL address port ( $\phi$ L3B,  $\phi$ K3B). For this reason, after setting up a data selection port, it can set up continuously.

Note: If POL bit is changed, a clock pulse may enter. Reset data by the reset bit after changing.

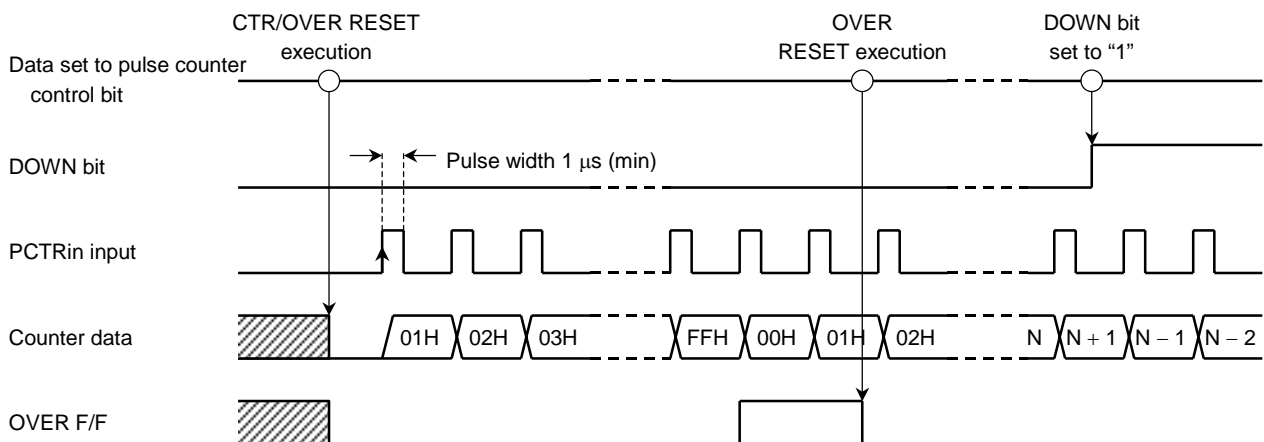
Note: If data select port is +1 increments whenever it accesses  $\phi$ L2E,  $\phi$ L2F,  $\phi$ L3B,  $\phi$ K3B on the I/O map.

**2. Pulse Counter Circuit Configuration**



Note: It can be used together as pulse counter and interrupt function (HOLD terminal input).

**3. Example for Pulse Counter Timing**



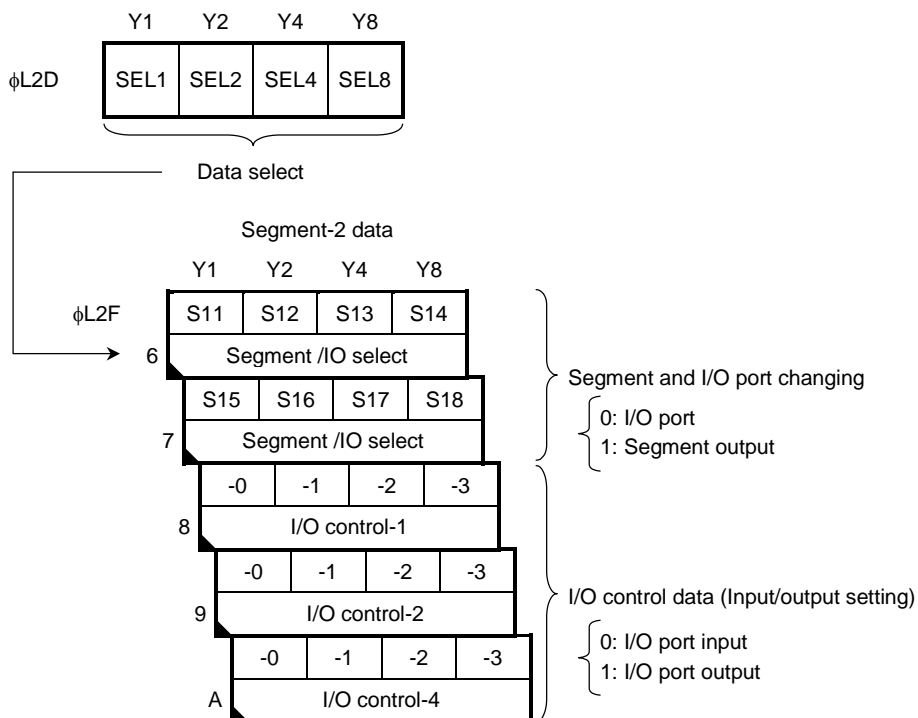
**○ Input and Output Port (I/O Port)**

There are 28 I/O ports available between I/O port-1~5, 8-9 which are used to input and output control signals. Of these 28 I/O ports, 12 I/O ports are CMOS type and 16 I/O ports are Nch open drain type. The combination function and the functional feature of each I/O port are as follows.

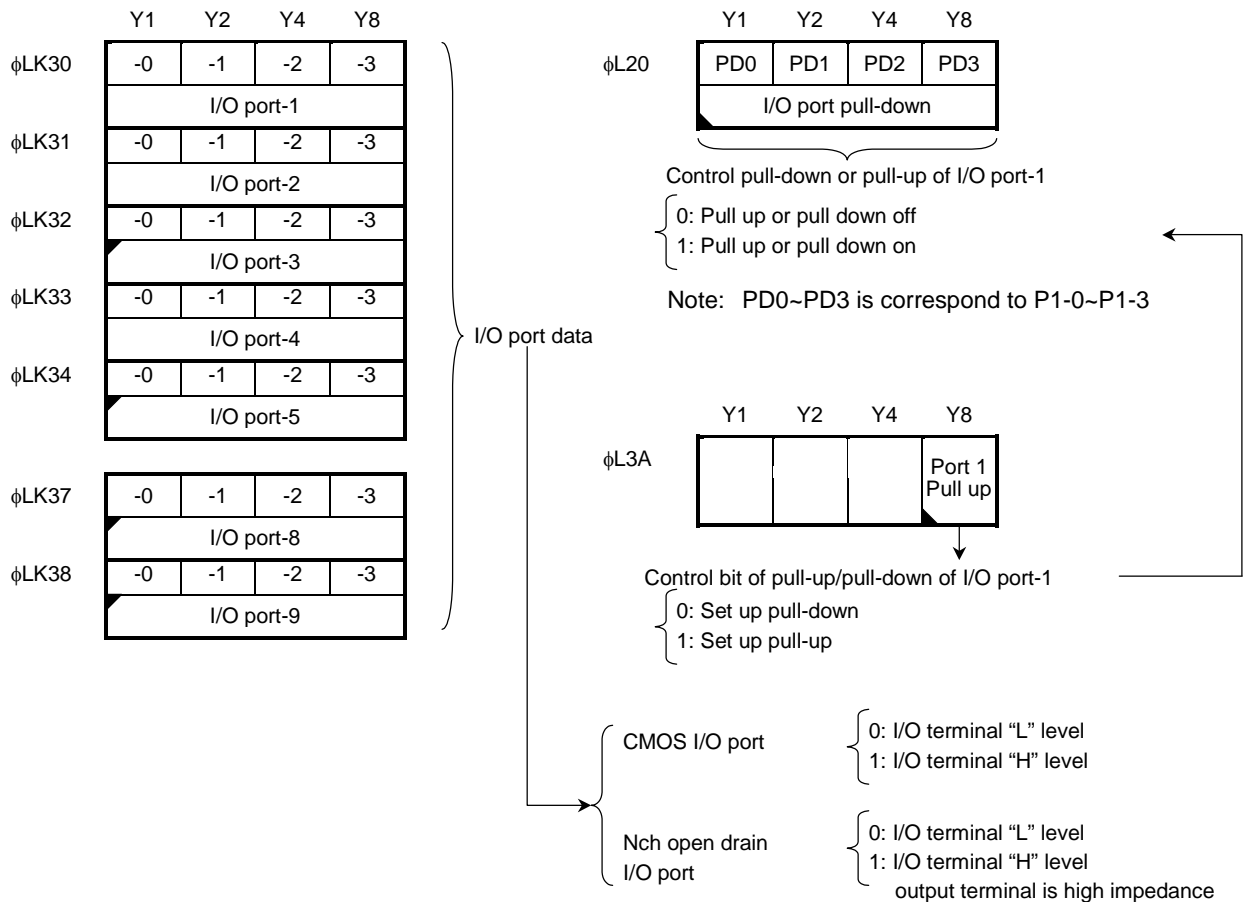
I/O Port		Combination and Additional Function	Structure
I/O port-1		It's possible to set pull-up/pull-down. But, mixture of a pull-up pull down is impossible.	CMOS
I/O port-2	P2-0~2	—	
	P2-3	Pre-scanner PSC output	
I/O port-3*	P3-0	—	Nch open drain
	P3-1~3	Serial interface input/output port	
I/O port-4	P4-0	Buzzer output	CMOS
	P4-1~3	I/O port	
I/O port-5		6-bit A/D converter analog input The potential to $V_{DB}$ ( $V_{DD} \times 2$ ) can be inputted.	Nch open drain
I/O port-8		The potential to $V_{LCD}$ (3 V) can be inputted.	
I/O port-9			

Note: I/O port-3 terminal of \* mark is Nch high output buffer output and output-proof is 3.6 V (max).

**1. I/O Port Control, I/O Port Data**



Note: I/O-1, I/O-2, - - - - is correspond to the name of P1-0~3, P2-0~3, - - - - terminal.



The I/O port for the I/O ports is set with the contents of the I/O control data port. "0" is set in the I/O control data port bit which corresponds to the relevant port when setting the input port, and "1" is set when setting the output port.

I/O control data port is arranged segment-2 data port and set up by data select port (φL2D), which specified the division. The data of a specification port to set beforehand is set and the data port corresponding to it can be accessed. The data select port is +1 increments whenever it accesses DAL address port (φL2F). For this reason, after setting up a data selection port, it can set up continuously.

The output status of the I/O port is controlled by executing the OUT3 instruction for which corresponds to each I/O port during output port setting. The contents of the data currently output can also be loaded into the data memory by executing the IN3 instruction. In addition, the data read by the IN3 command is not surely in agreement with the data outputted by the OUT3 instruction and, in order to read the state of a terminal.

The data input in the I/O port is loaded into the data memory by executing the IN3 instruction for which corresponds to each I/O port during input port setting. The contents of the output latch will have absolutely no effect on the input data at this point.

Nch open drain I/O ports have not I/O control data. When it makes an input, it is set "1" in I/O data port, the status becomes high impedance and read the input status into data memory by IN3 instruction. When output state becomes "L" level, it set "0" in I/O data port by OUT3 command.

The execution of the WAIT instruction and CKSTP instruction is cancelled and CPU operations are re-started when the status of the I/O port input specified in the input port changes with I/O port-1. Also, the MUTE port and MUTE bit are forcibly set to "1" during changes in the input status when the MUTE port's I/O bit is set at "1". By control port of I/O port-1 pull-down, it sets up pull-down or pull-up status. It can set up a pull-down or pull-up for every terminal and if the port is set up "1", it will become a pull-up or a pull-down. The pull-up/pull down control bit of I/O Port -1 perform a change of a pull-up and a pull down.

If the bit is set up "0", the status becomes pull-down and set up "1", it becomes pull-up.

Set up the pull-up and pull-down is used for key matrix configuration. I/O Port -1 with a pull down or a pull-up is considered for a usual I/O Port output as an input as an output of a key matrix, and a key matrix is constituted. It is able to constitute of the key matrix of a low noise by the following methods. In setting pull-down to I/O port-1, the output side of a key matrix is usually high impedance (input state), output and scan to "H" level on key loaded line, detected key input or non by loading input status of I/O port-1. In the case of a pull-up, "L" level is outputted and it detected on a key loading line. During executing of CKSTP instruction and WAIT instruction, the existence of this key input can also be judged and re-started. When re-starting at the time of CKSTP command execution, I/O Port -1 is used by changing into a pull-up state. For the clock stop mode, since the outputs of an I/O Port are outputted all "L" level, I/O Port -1 stands by in the state of a pull-up, and if a key is inputted, I/O Port -1 input will change and re-start. In this case, since the standby time of about 100 ms occurs as time lag after being canceled of a clock stop. Since release of WAIT instruction holds the output state, re-starting is possible by the method of both a pull-up and a pull down, and since there is no time lag from release, detection and operation of a key are quickly possible. Using these backup modes together can reduce consumption current.

Since the input of I/O Port -1 is an inverter input, the usage that serves as middle potential cannot be done to this input. But, only at the time of execution of the input instruction, since an input will be in an ON state, even if middle potential is inputted, as for other I/O Port inputs, unusual consumption current does not occur. For this reason, use of the pull-up in potential lower than VDD potential, the three value output of an output level, etc. is possible.

I/O Port -2, -4 terminals are the I/O Ports of CMOS structure, P2-3 terminal is the pre-scaler PSC output, P4-0 terminal is the buzzer output and P3-1-3 terminals are the serial interface serve a double purpose, respectively. I/O port-3, -5, -8--9 are Nch open drain I/O port.

I/O Port -3 uses VLCD (3 V) for the gate potential of Nch output buffer. For this reason, the output current by which power supply voltage was stabilized also in the time of low voltage can be obtained. This port can perform the input and output to 3.6 V.

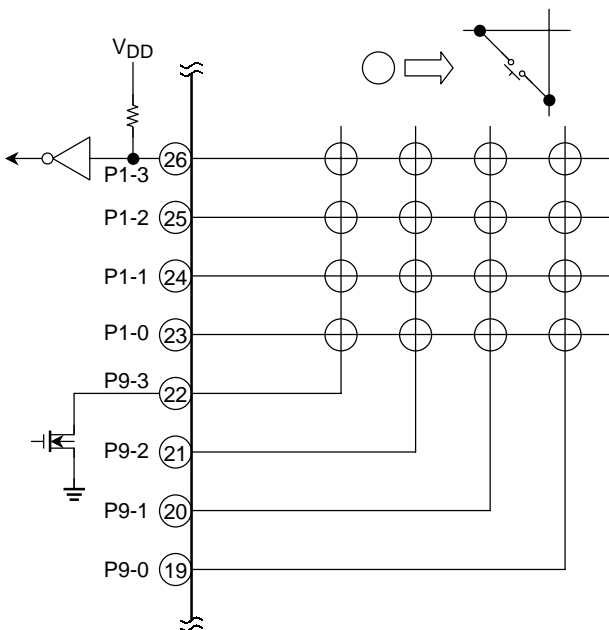
I/O port-5 is used as 6-bit A/D converter input. This port is able to inputted VDB potential (the potential to  $V_{DD} \times 2$ ).

I/O Port -8, -9 are using also LCD driver. VLCD (3 V) is used for the gate potential of an Nch open output buffer. For this reason, the output current by which power supply voltage was stabilized also in the time of low voltage can be obtained. These terminals can perform the input and output to VLCD (3 V). These terminals are set as the input of an I/O Port after reset.

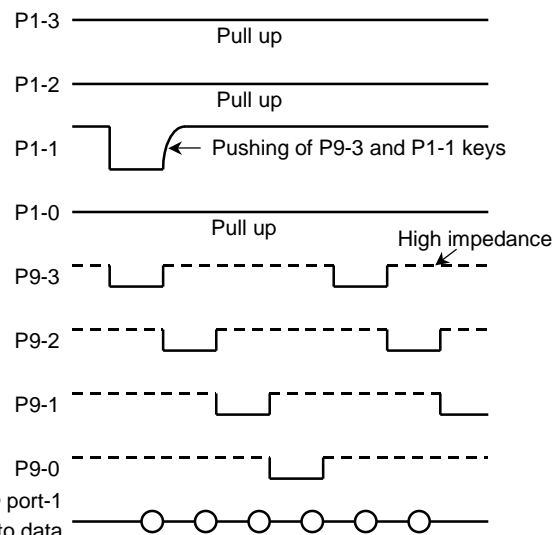
Note: The data select port is +1 increments automatically when it accesses  $\phi L2E$ ,  $\phi L2F$ ,  $\phi L3B$ ,  $\phi K3B$  on the I/Omap.

The following is an example of key input matrix circuit configuration. Without key input, it pulled-up and key is pushed, it inputted "L" level from sauce side(I/O port-9).

It is necessary to take into consideration the shift time to the pull-up of a key input from "L". They are all about a key sauce side at the time of WAIT instruction execution and "L" WAIT instruction can be lifted, whenever a key input will be pushed, if it stands by on the level.



Example for key input matrix circuit



○ Register Port

The G-register and data register outlined in the explanation on the CPU are also used as a single internal port.

1. G-register ( $\phi$ KL1D,  $\phi$ KL1E)

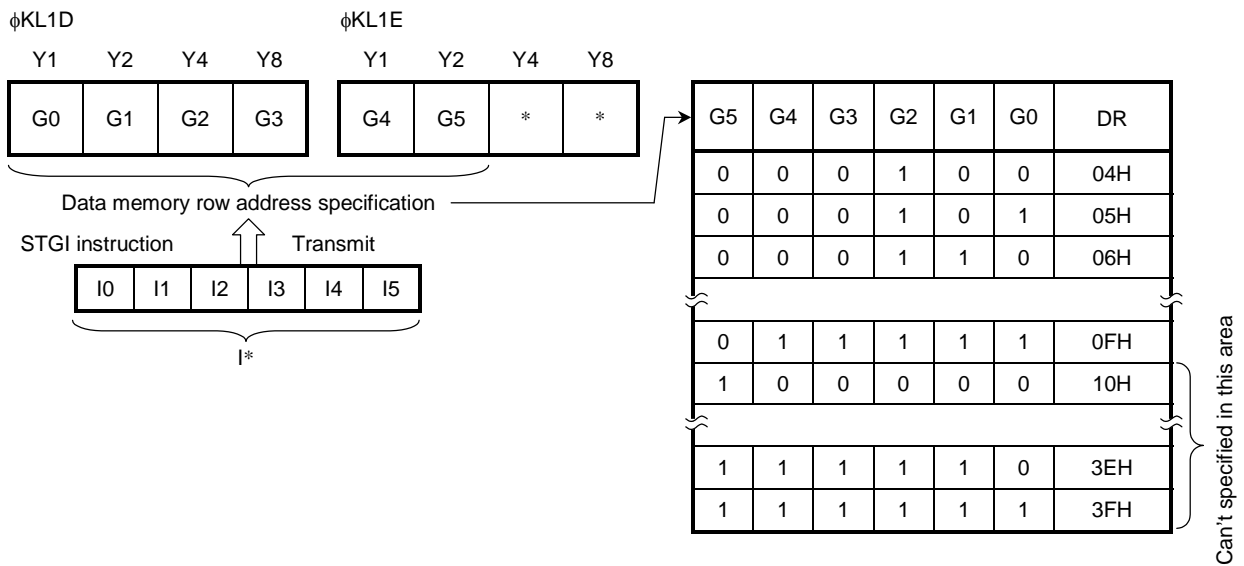
This register addresses the data memory's row addresses (DR = 04H~3FH) during execution of the MVGD instruction and MVGS instruction. This register is accessed with the OUT1/IN1 instruction for which [CN = DH~EH] has been specified in the operand. Moreover, if STGI instruction is used, data can be set to this register by one instruction.

Note: The contents of this register are only valid when the MVGD instruction and MVGS instruction are executed and are ineffective when any other instruction is executed. Moreover, it does not have the influence on this register by MVGD instruction and MVGS instruction.

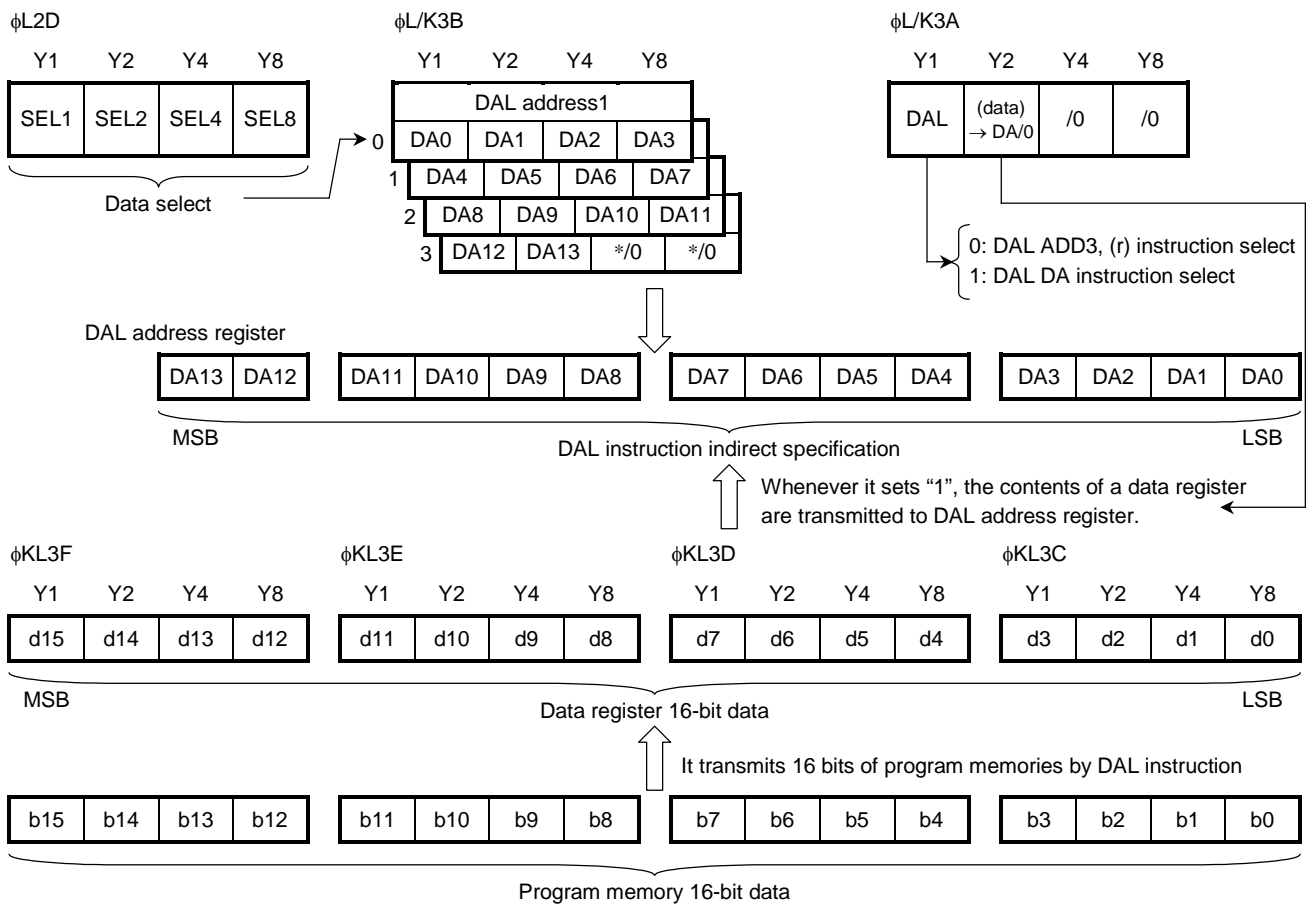
Note: All of the data memory row addresses can be specified indirectly by setting data 00H to 3FH in the G-register. (DR = 00H~3FH)

Note: For a reason with a RAM capacity of 256 words, this product will become unfixed if 10H-3FH is specified to be G-register.

Note: Writing and read-out are possible for this register. Please evacuate and return in a data memory if needed at the time of interruption.



## 2. Data Register ( $\phi$ KL3C~ $\phi$ KL3F), DAL Address Register ( $\phi$ KL3B0~ $\phi$ KL3B3) and Control Bit



The data register is 16-bit register for which load the program memory data when the DAL instruction is executed. The contents of this register are loaded into the data memory in 4-bit units with the execution of the OUT1/IN1 instructions for which [CN = CH~FH] has been specified in the operand. This register can be used for loading LCD segment decoding operations, radio band edge data and the data related to binary to BCD conversion.

The DAL address register (DA) is 14-bit register for which specified the program memory indirectly when the DAL instruction is executed. There are 2 kinds of operation methods of DAL instruction. The control is selected by DAL bit. When DAL bit is set "0", ADDR3 (6 bit) of the operand and contents of general register (r) becomes the reference address of program memory and when DAL bit is set "1", 14 bit of DAL address register becomes reference address. At the time of setting DAL bit is "0" and execution of DAL instruction, only program memory area (0000H~03FFFH) becomes reference area and DAL bit is set "1" and execution of DAL instruction, all program memory area (0000H~3FFFFH) becomes reference area.

If (DATA) → DA bit is set to "1", it can transfer from the contents of data register to 14 bit DAL address register by executing of single instruction.

The contents of DAL address register are accessed the data in 4-bit units with the execution of the OUT3/IN3 instruction for which [CN = BH] have been specified in the operand. DAL address register port is setup by data select port (φL2D) for which divides and indirect specified. The data of a specification port to set beforehand is set and the data port corresponding to it is accessed. Data select port is +1 incremented whenever is accessed this port(φL3B, φK3B). For this reason, after setting up a data selection port, it can access continuously.

DAL bit and (DATA) → DA bit are accessed with the execution of OUT3/IN3 instruction for which [CN = AH] has been specified in the operand.

Note: DAL address register becomes effective only execution of DAL instruction when setting "1" and becomes unrelated at the time of other instruction execution. It does not have the influence on this register by DAL instruction.

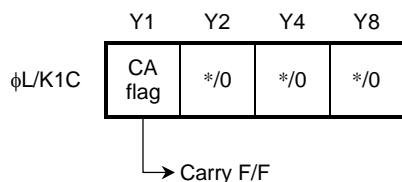
Note: For this product have 4 k step of ROM Capacity, If 1000H - 3FFFFH is specified to be DAL address register and DAL instruction is executed, the contents of a data register will become unfixed.

Note: It's possible to write in and read out for data register and DAL address register. Please evacuate and return in a data memory if needed at the time of interruption.

Note: It's no action when (DATA) → DA bit is set "0" . When it accesses to φK3A, it only read out only the DAL bit. (The other bit is "0".)

### 3. Carry F/F (Ca flag, φKL1C)

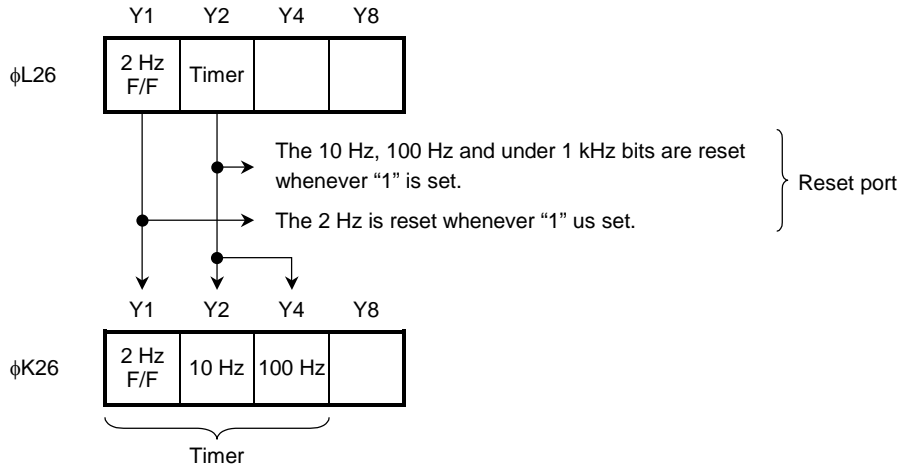
This is set when either Carry or Borrow are issued in the result of calculation instruction execution and is reset if neither of these is issued. The carry F/F is accessed with OUT1/IN1 instructions for which [CN = CH] have been specified. For this reason, evacuation and a return of the carry F/F at the time of interruption can be performed easily. Carry F/F is written in a data memory by IN1 instruction at the time of evacuation, it is evacuated, and the data evacuated by OUT1 instruction is transmitted to carry F/F from a data memory at the time of a return.



○ **Timer Port**

The timer us equipped with 100 Hz, 10 Hz and 2 Hz F/F bits and used for counting clock operations and tuning scan mode, etc.

**1. Timer Port**

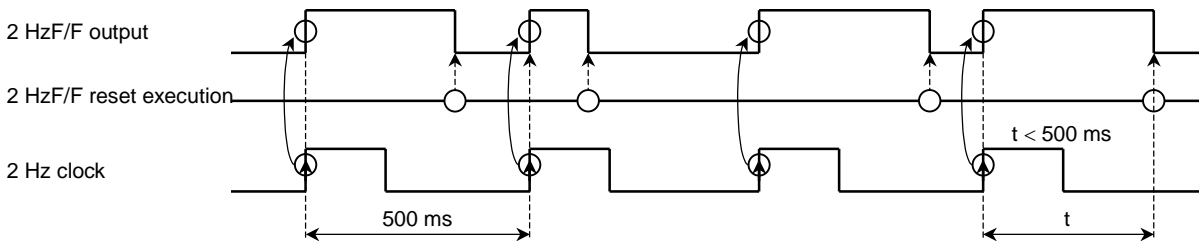


The timer ports are accessed with the OUT2 instruction for which [CN = 6H] has been specified in the operand

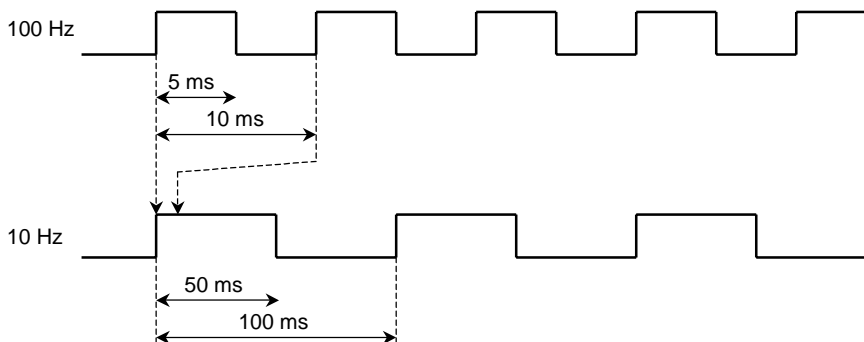
**2. Timer Port Timing**

The 2 Hz timer F/F is set with the 2 Hz (500 ms) signal and is reset by setting "1" in the reset port's 2 Hz F/F. This bit is usually used as a clock counter.

The 2 Hz timer F/F can only by reset with the reset port's 2 Hz F/F, and incorrect counts will be output and correct timers not acquired if not reset within a 500 ms cycle.



The 10 Hz and 100 Hz timers are output to 10 Hz and 100 Hz bits will respective cycles of 100 ms and 10 ms and a pulse of duty 50%. Counters at 1 kHz or below will be reset whenever the reset port's timer bit is set at "1".





**○ Output Port (Both as LCD Driver Terminal)**

There are 14-output ports of 14 CMOS type. These output port are used as LCD driver and changed output port by VLCD OFF bit. If VLCD OFF bit is set to "1", this port becomes output port. The outputted data to output port is used as segment data port-1 ( $\phi$ L2E). This data is accessed with OUT2 instruction for which [CN = EH] is specified and is setup by data select port ( $\phi$ L2D) for which divides and indirect specified as same as segment data. The data of a specification port to set a segment data port to beforehand is set, and the data port corresponding to it is accessed. The data select port is +1 incremented whenever is accessed segment data port-1 ( $\phi$ L2E). For this reason, after setting up a data selection port, it can set up continuously.

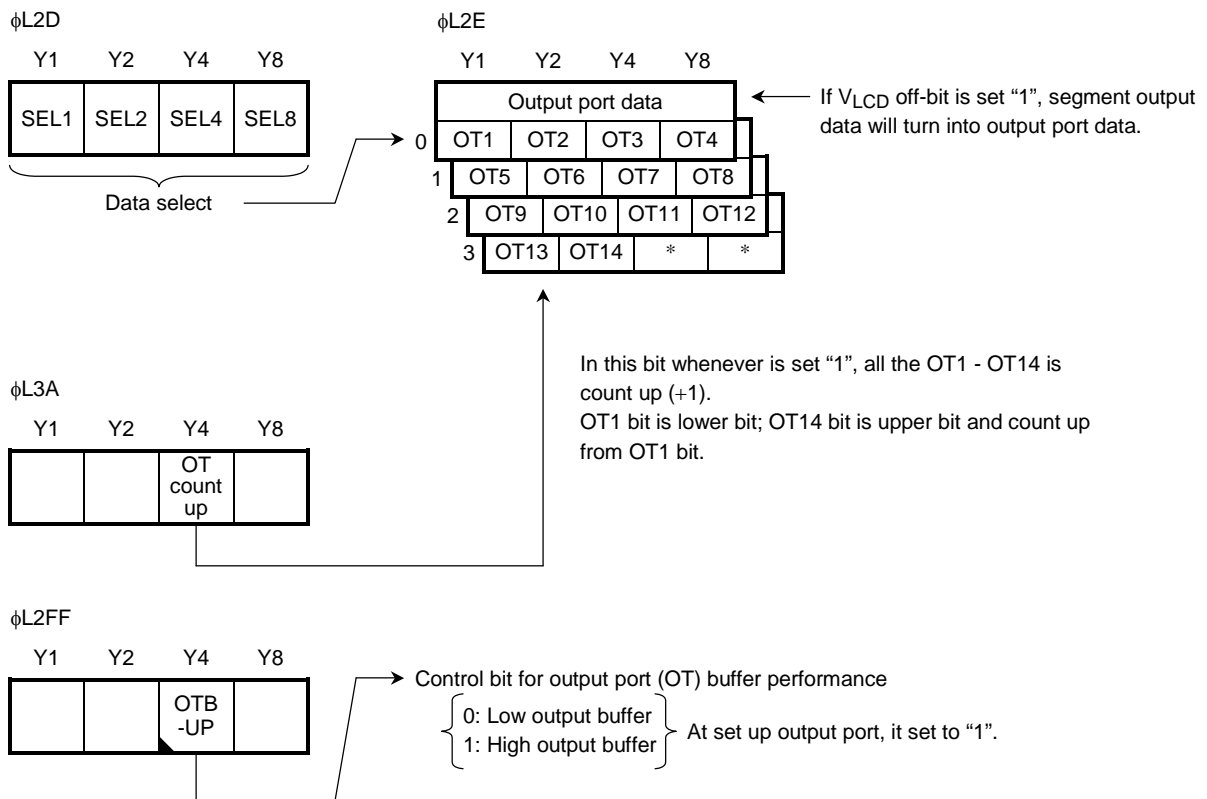
Output data is +1 increment with OT count UP bit by executing one instruction. For this reason, it can use as an address signal output when using an external memory etc. Output buffer capability can be changed at the time of an output setup. If OTB-UP bit is set "0", it becomes low output buffer (same performance of LCD output driver) and set "1", it becomes high output buffer. Usually, at the time of an output port setup, this bit is set "1".

The power supply of this output port is used VLCD doubler potential, when using it as an output port, remove for the capacitor of VLCD doubler potential (between C3-C4) and connect with VDD terminal and use VLCD terminal.

Note: Data select port is +1 increment automatically whenever is accessed  $\phi$ L2E,  $\phi$ L2F,  $\phi$ L3B,  $\phi$ K3B on I/O map.

Note: If set "0" to OT count UP bit, it's not performed count-up.

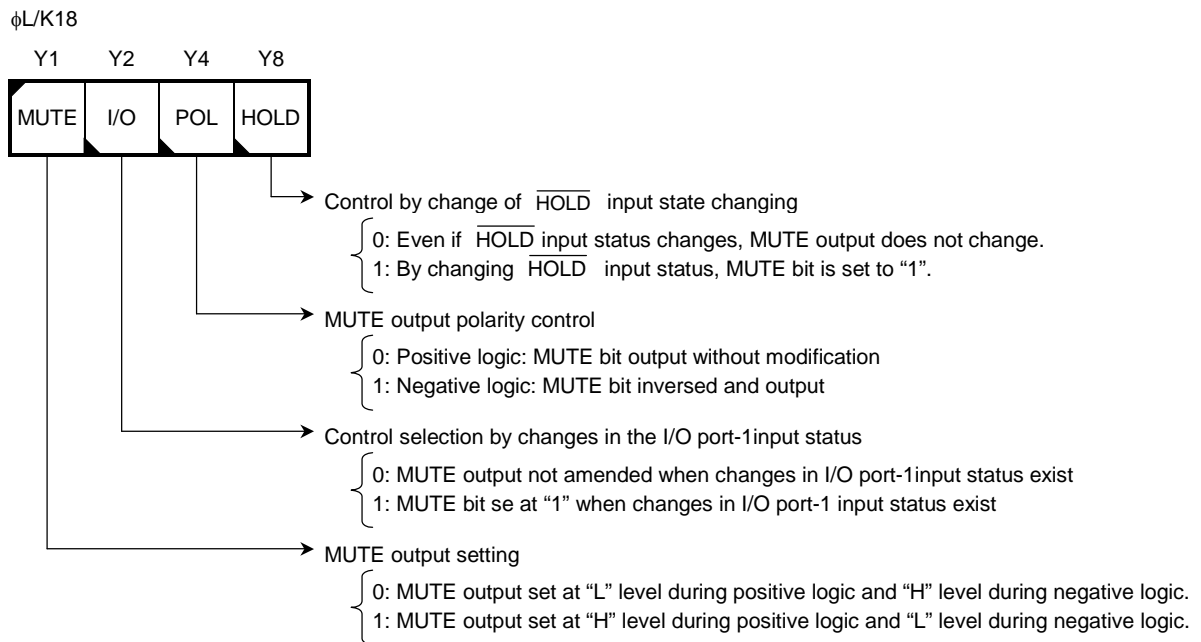
Note: Refer to LCD driver item.



○ **MUTE Output**

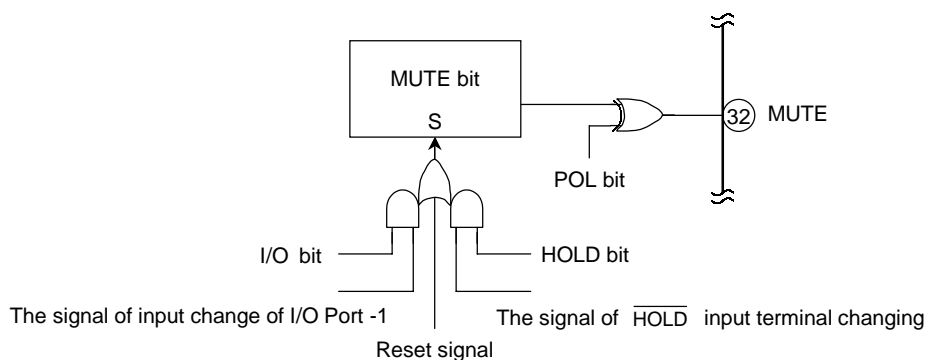
This is a dedicated 1-bit CMOS output port fro muting control purposes.

**1. MUTE Port**



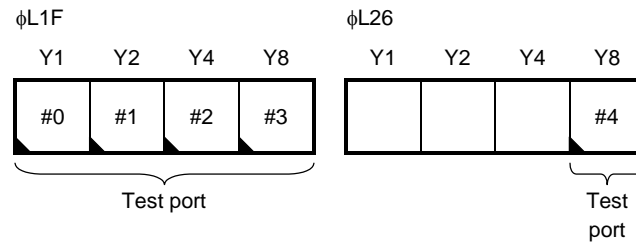
This port is accessed with the OUT1/IN1 instruction for which [CN = 8H] has been specified in the operand. MUTE output is used for muting control. This function prevents noise from being generated during linear circuit switching when band is performed with the I/O port-1 or  $\overline{\text{HOLD}}$  input. This control is set up according to the contents of I/O bit and HOLD bit. POL bit sets up the logic of MUTE output. Please set up according to specification.

**2. Circuit Composition of MUTE Output**



○ **Test Port**

Access is performed with the OUT1 instruction for which [CN = FH] has been specified in the operand, and the OUT2 instruction for which [CN = 6H] has been specified in the operand. "0" is usually set with the program.



If the following data is set as test port from #3 to #0, various signals can be made to output from MUTE terminal.

#3	#2	#1	#0	Data	MUTE Terminal Output
0	0	0	0	0	MUTE output
0	0	0	1	1	Programmable counter frequency
0	0	1	0	2	Reference frequency
ι	ι	ι	ι	ι	Prohibition
0	1	0	1	5	CR VCO frequency
ι	ι	ι	ι	ι	Prohibition
1	1	1	1	F	

○ **Application to an Emulator Tip**

If TEST terminal is supplied "H" level (Test mode), the device operates as an emulator chip. Three kinds of test modes are prepared and can constitute a soft development tool by using three devices.

Radio operation can be checked by the connection between this soft development tool and IC for tuners, performing soft development.

Please refer to TC9329FA/FB software development tool specifications of a development tool.

## Maximum Ratings (Ta = 25°C)

Characteristics	Symbol	Rating	Unit
Supply Voltage	V <sub>DD</sub>	-0.3~4.0	V
Voltage doubler boosting voltage	V <sub>DB</sub>	-0.3~4.0	V
Output voltage 1 (N-channel open drain)	V <sub>O1</sub> (*)	-0.3~4.0	V
Output voltage 2 (N-channel open drain)	V <sub>O2</sub> (*)	-0.3~V <sub>DB</sub> + 0.3	V
Output voltage 3 (N-channel open drain)	V <sub>O3</sub> (*)	-0.3~V <sub>LCD</sub> + 0.3	V
Input voltage	V <sub>IN</sub>	-0.3~V <sub>DD</sub> + 0.3	V
Power dissipation	P <sub>D</sub>	100	mW
Operating temperature	T <sub>opr</sub>	-10~60	°C
Storage temperature	T <sub>stg</sub>	-65~150	°C

\*: V<sub>O1</sub>: P3-0~P3-3 pin  
 V<sub>O2</sub>: P5-0~P5-3 pin  
 V<sub>O3</sub>: P8-0~P8-3, P9-0~P9-3 pin

## Electrical Characteristics (unless otherwise noted, Ta = 25°C, V<sub>DD</sub> = 1.5 V)

Characteristics	Symbol	Test Circuit	Test Condition	Min	Typ.	Max	Unit
Range of operating supply voltage	V <sub>DD1</sub>	—	Under CPU operation (*)	0.9	~	1.8	V
	V <sub>DD2</sub>	—	Under PLL operation (*)	0.9	~	1.8	
Range of memory retention voltage	V <sub>HD</sub>	—	Crystal oscillation stopped (CKSTP instruction executed) (*)	0.75	~	1.8	V
Operating current	I <sub>DD1</sub>	—	PLL operation (VHF mode), at input F <sub>Min</sub> = 230 MHz	—	6	10	μA
	I <sub>DD2</sub>	—	Under CPU operation only (PLL off, display turned on, V <sub>reg</sub> Off)	—	40	80	
	I <sub>DD3</sub>	—	Under CPU operation only (PLL off, display turned on, V <sub>reg</sub> On)	—	50	—	
	I <sub>DD4</sub>	—	In Hard wait mode, (PLL off, crystal oscillator operating only)	—	20	40	
	I <sub>DD5</sub>	—	At Soft wait executed, (PLL off, CPU stopped)	—	30	—	
	I <sub>DD6</sub>	—	Under CPU accelerated operation, (CR oscillator operation, PLL off, display on)	—	250	500	
Memory retention current	I <sub>HD</sub>	—	Crystal oscillation stopped (CKSTP instruction executed)	—	0.1	1.0	μA
Crystal oscillation frequency	f <sub>X<sub>T</sub></sub>	—	(*)	—	75	—	kHz
Crystal oscillation start-up time	t <sub>st</sub>	—	Crystal oscillation f <sub>X<sub>T</sub></sub> = 75 kHz	—	—	1.0	s
CR oscillation frequency	f <sub>CRW</sub>	—	V <sub>DD</sub> = 1.1~1.8 V, Ta = -10~60°C	0.8	1.0	1.2	MHz

For conditions marked by an asterisk (\*), guaranteed when V<sub>DD</sub> = 0.9~1.8 V, Ta = -10~60°C

## Voltage Doubler Boosting Circuit

Characteristics	Symbol	Test Circuit	Test Condition	Min	Typ.	Max	Unit
Doubled voltage	$V_{DB}$	—	GND reference ( $V_{DB}$ )	—	$V_{DD} \times 2$	—	V
Doubled voltage output current	$I_{DB}$	—	$V_{OH} = V_{DB} - 0.1 \text{ V}$ ( $V_{DB}$ )	-50	-200	—	$\mu\text{A}$
Doubled voltage reference voltage	$V_{EE}$	—	GND reference ( $V_{EE}$ )	1.35	1.50	1.65	V
Constant voltage for phase comparator	$V_{reg}$	—	GND reference ( $V_{reg}$ ) (*)	1.35	1.50	1.65	V
Constant voltage temperature characteristic	Dv	—	GND reference ( $V_{EE}$ )	—	-5	—	mV/°C
Power supply output current for phase comparator	$I_{reg}$	—	$V_{OH} = V_{reg} - 0.1 \text{ V}$ ( $V_{reg}$ ) (Note 1)	-50	-200	—	$\mu\text{A}$
Doubled voltage	$V_{LCD}$	—	GND reference ( $V_{LCD}$ )	2.7	3.0	3.3	V
Doubled voltage output current	$I_{LCD}$	—	$V_{OH} = V_{LCD} - 0.1 \text{ V}$ ( $V_{LCD}$ ) (Note 1)	-50	-200	—	$\mu\text{A}$

\*: Guaranteed when  $V_{DD} = 0.9\sim 1.8 \text{ V}$ ,  $T_a = -10\sim 60^\circ\text{C}$

Note 1: The "H" level output current of the pin using the  $V_{reg}/V_{LCD}$  power supply must not exceed the power supply (doubled voltage:  $V_{DB}$ ) output current.

## Programmable Counter/IF Counter Operating Frequency Range

Characteristics	Symbol	Test Circuit	Test Condition	Min	Typ.	Max	Unit
OSCin (VHF mode)	f VHF	—	$V_{IN} = 0.1 V_{p-p}$ , $V_{DD} = 0.9\sim 1.8 \text{ V}$ (*)	80	~	230	MHz
OSCin (FM mode)	f FM	—	$V_{IN} = 0.1 V_{p-p}$ , $V_{DD} = 0.9\sim 1.8 \text{ V}$ (*)	60	~	130	MHz
OSCin (HF mode)	f HF1	—	$V_{IN} = 0.1 V_{p-p}$ , $V_{DD} = 0.9\sim 1.8 \text{ V}$ (*)	3.0	~	30	MHz
	f HF2	—	$V_{IN} = 0.1 V_{p-p}$ , $V_{DD} = 0.9\sim 1.8 \text{ V}$ (*)	1.0	~	10	
OSCin (LF mode)	f LF	—	$V_{IN} = 0.1 V_{p-p}$ , $V_{DD} = 0.9\sim 1.8 \text{ V}$ (*)	0.5	~	8	MHz
IFin1, IFin2	f IF	—	$V_{IN} = 0.1 V_{p-p}$ , $V_{DD} = 0.9\sim 1.8 \text{ V}$ (*)	0.3	~	12	MHz
PSC transfer delay time	tpd	—	$C_L = 15 \text{ pF}$ , $V_{DD} = 1.1\sim 1.8 \text{ V}$ (PSC) (*)	—	—	400	ns

\*: Guaranteed when  $V_{DD} = 0.9\sim 1.8 \text{ V}$ ,  $T_a = -10\sim 60^\circ\text{C}$

## Programmable Counter/IF Counter Input Amplitude Range

Characteristics	Symbol	Test Circuit	Test Condition	Min	Typ.	Max	Unit
OSCin (VHF mode)	V VHF	—	Same as for f VHF (*)	0.1	~	0.6	$V_{p-p}$
OSCin (FM mode)	V FM	—	Same as for f FM (*)	0.1	~	0.6	$V_{p-p}$
OSCin (HF mode)	V HF	—	Same as for f HF1~2 (*)	0.1	~	0.6	$V_{p-p}$
OSCin (LF mode)	V LF	—	Same as for f LF (*)	0.1	~	0.6	$V_{p-p}$
IFin1, IFin2	V IF	—	Same as for f IF (*)	0.1	~	0.6	$V_{p-p}$

\*: Guaranteed when  $V_{DD} = 0.9\sim 1.8 \text{ V}$ ,  $T_a = -10\sim 60^\circ\text{C}$

## LCD Common Output/Segment Output (COM1~COM4, S1~S18)

Characteristics		Symbol	Test Circuit	Test Condition	Min	Typ.	Max	Unit
Output current	"H" level	IOH1	—	$V_{LCD} = 3\text{ V}$ , $V_{OH} = V_{LCD} - 0.3\text{ V}$ (COM1~COM4)	-0.10	-0.20	—	mA
		IOH2	—	$V_{LCD} = 3\text{ V}$ , $V_{OH} = V_{LCD} - 0.3\text{ V}$ (S1~S18)	-0.05	-0.10	—	
	"L" level	IOL1	—	$V_{LCD} = 3\text{ V}$ , $V_{OL} = 0.3\text{ V}$ (COM1~COM4)	0.10	0.30	—	
		IOL2	—	$V_{LCD} = 3\text{ V}$ , $V_{OL} = 0.3\text{ V}$ (S1~S18)	0.05	0.15	—	
Output voltage 1/2 level		VBS	—	No load (COM1~COM4)	1.35	1.5	1.65	V

## Output Port, I/O Port (OT1~OT14, P8-0~P8-3, P9-0~P9-3)

Characteristics		Symbol	Test Circuit	Test Condition	Min	Typ.	Max	Unit
Output current	"H" level	IOH3	—	$V_{LCD} = 3\text{ V}$ , $V_{OH} = V_{LCD} - 0.3\text{ V}$ (Note 2, except I/O port)	-1.5	-3.0	—	mA
	"L" level	IOL3	—	$V_{LCD} = 3\text{ V}$ , $V_{OL} = 0.3\text{ V}$	1.5	3.0	—	
Input leak current		ILI	—	$V_{IH} = V_{LCD}$ , $V_{IL} = 0\text{ V}$ (P8-0~P8-3, P9-0~P9-3)	—	—	$\pm 1.0$	$\mu\text{A}$
Input voltage	"H" level	$V_{IH1}$	—	(P8-0~P8-3, P9-0~P9-3)	$V_{DD} \times 0.8$	~	$V_{DD}$	V
	"L" level	$V_{IL1}$	—	(P8-0~P8-3, P9-0~P9-3)	0	~	$V_{DD} \times 0.2$	

Note 2: The "H" level output current is the current when the pin power supply is fixed.  
 Make sure that pins using  $V_{reg}/V_{LCD}$  power supply do not exceed the power supply (doubled voltage:  $V_{DB}$ ) output current.

## I/O Port (P1-0~P5-3)

Characteristics		Symbol	Test Circuit	Test Condition	Min	Typ.	Max	Unit
Output current	"H" level	IOH4	—	$V_{DD} = 1.5\text{ V}$ , $V_{OH} = V_{DD} - 0.2\text{ V}$ (I/O port P2, P4)	-0.4	-0.8	—	mA
		IOH5	—	$V_{DD} = 0.9\text{ V}$ , $V_{OH} = V_{DD} - 0.2\text{ V}$ (I/O port P2, P4)	-0.04	-0.2	—	
	"L" level	IOL4	—	$V_{DD} = 1.5\text{ V}$ , $V_{OL} = 0.2\text{ V}$ (except I/O port P3)	0.5	1.0	—	
		IOL5	—	$V_{DD} = 0.9\text{ V}$ , $V_{OL} = 0.2\text{ V}$ (except I/O port P3)	0.1	0.3	—	
		IOL6	—	$V_{DD} = 0.9\sim 1.8\text{ V}$ , $V_{OL} = 0.2\text{ V}$ (I/O port P3)	1.0	2.0	—	
Input leak current		ILI	—	$V_{IH} = V_{DD}$ , $V_{IL} = 0\text{ V}$ (I/O port P1, P2, P4)	—	—	$\pm 1.0$	$\mu\text{A}$
			—	$V_{IH} = 3.6\text{ V}$ , $V_{IL} = 0\text{ V}$ (I/O port P3)	—	—	$\pm 1.0$	
			—	$V_{IH} = V_{DB}$ , $V_{IL} = 0\text{ V}$ (I/O port P5)	—	—	$\pm 1.0$	
Input voltage	"H" level	$V_{IH2}$	—	except I/O port 3	$V_{DD} \times 0.8$	~	$V_{DD}$	V
		$V_{IH4}$	—	I/O port 3	$V_{DD} \times 0.8$	~	3.6	
	"L" level	$V_{IL2}$	—	—	0	~	$V_{DD} \times 0.2$	
Input pull-down resistor		RIN1	—	When P1-0~P1-3 are set to pull-down or pull-up	30	60	120	$\text{k}\Omega$
SCK clock external input frequency		$f_{SIO}$	—	When I/O port P3-3 are set to serial clock input	—	—	200	kHz

## MUTE Output

Characteristics		Symbol	Test Circuit	Test Condition	Min	Typ.	Max	Unit
Output current	"H" level	IOH4	—	$V_{DD} = 1.5\text{ V}$ , $V_{OH} = V_{DD} - 0.2\text{ V}$	-0.4	-0.8	—	mA
		IOH5	—	$V_{DD} = 0.9\text{ V}$ , $V_{OH} = V_{DD} - 0.2\text{ V}$	-0.04	-0.2	—	
	"L" level	IOL4	—	$V_{DD} = 1.5\text{ V}$ , $V_{OL} = 0.2\text{ V}$	0.5	1.0	—	
		IOL5	—	$V_{DD} = 0.9\text{ V}$ , $V_{OL} = 0.2\text{ V}$	0.1	0.3	—	

## $\overline{\text{HOLD}}$ , $\overline{\text{INTR1/2}}$ , $\overline{\text{IN1/2}}$ Input Port, $\overline{\text{RESET}}$ Input

Characteristics		Symbol	Test Circuit	Test Condition	Min	Typ.	Max	Unit
Input leak current		ILI	—	$V_{IH} = V_{DD}$ , $V_{IL} = 0\text{ V}$	—	—	$\pm 1.0$	$\mu\text{A}$
Input voltage	"H" level	$V_{IH3}$	—	—	$V_{DD} \times 0.8$	~	$V_{DD}$	V
	"L" level	$V_{IL3}$	—	—	0	~	$V_{DD} \times 0.2$	

Note 2: The "H" level output current is the current when the pin power supply is fixed.

Make sure that pins using  $V_{reg}/V_{LCD}$  power supply do not exceed the power supply (doubled voltage:  $V_{DB}$ ) output current.

## A/D Converter (ADin1~ADin4)

Characteristics	Symbol	Test Circuit	Test Condition	Min	Typ.	Max	Unit
Analog input voltage range	VAD	—	—	0	~	V <sub>DB</sub>	V
Resolution	VRES	—	—	—	6	—	bit
Conversion total error	—	—	—	—	±0.5	±1.0	LSB
Analog input leak	ILI	—	V <sub>DD</sub> = V <sub>DB</sub> , V <sub>IH</sub> = V <sub>DB</sub> , V <sub>IL</sub> = 0 V	—	—	±1.0	μA

## DO Output

Characteristics	Symbol	Test Circuit	Test Condition	Min	Typ.	Max	Unit
Output current	"H" level	IOH4	V <sub>reg</sub> = 1.5 V, V <sub>OH</sub> = V <sub>reg</sub> - 0.2 V (Note 2)	-0.4	-0.8	—	mA
	"L" level	IOL4	V <sub>reg</sub> = 1.5 V, V <sub>OL</sub> = 0.2 V	0.5	1.0	—	
Output off leak current	ITL	—	V <sub>DD</sub> = 1.5 V, V <sub>TLH</sub> = 1.5 V, V <sub>TLL</sub> = 0 V	—	—	±100	nA

## Others

Characteristics	Symbol	Test Circuit	Test Condition	Min	Typ.	Max	Unit
Input pull-down resistance	RIN2	—	(TEST)	5	10	30	kΩ
XIN amp. feedback resistance	RfXT	—	(XIN-XOUT)	—	20	—	MΩ
XOUT output resistance	ROUT	—	(XOUT)	—	4	—	kΩ
Input amp. feedback resistance	RfIN1	—	VHF mode, FM mode (OSCin)	100	200	400	kΩ
		—	HF mode, LF mode (OSCin)	300	600	1200	
	RfIN2	—	(IFin1, IFin2)	300	600	1200	

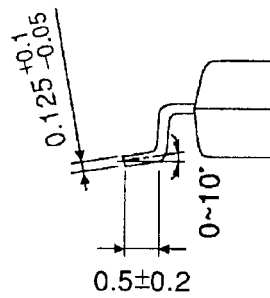
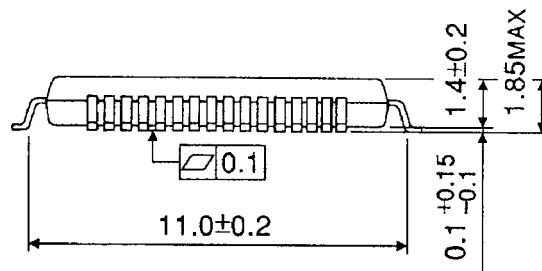
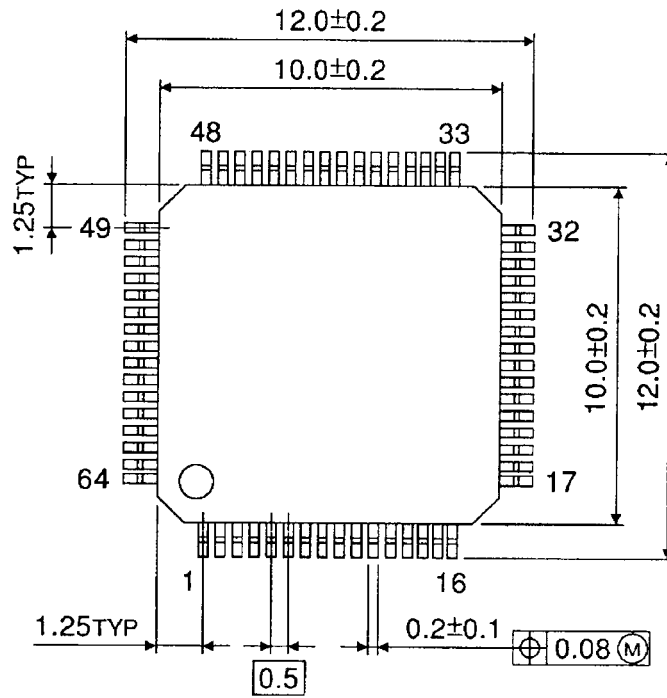
Note 2: The "H" level output current is the current when the pin power supply is fixed.  
Make sure that pins using V<sub>reg</sub>/V<sub>LCD</sub> power supply do not exceed the power supply (doubled voltage: V<sub>DB</sub>) output current.



**Package Dimensions**

LQFP64-P-1010-0.50

Unit : mm

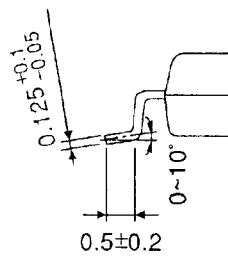
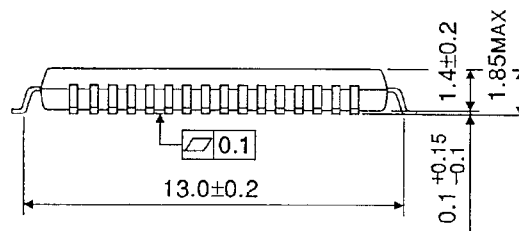
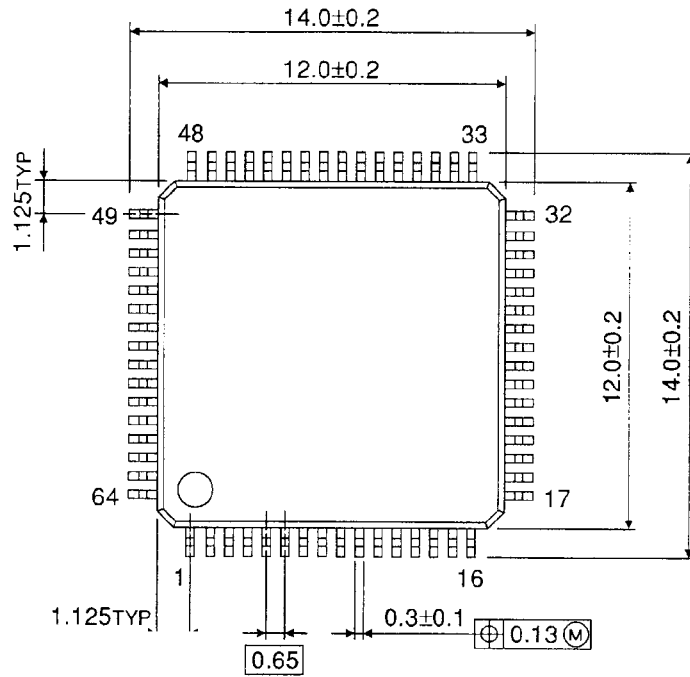


Weight: 0.32 g (typ.)

**Package Dimensions**

QFP64-P-1212-0.65

Unit : mm



Weight: 0.45 g (typ.)

**RESTRICTIONS ON PRODUCT USE**

000707EBA

- TOSHIBA is continually working to improve the quality and reliability of its products. Nevertheless, semiconductor devices in general can malfunction or fail due to their inherent electrical sensitivity and vulnerability to physical stress. It is the responsibility of the buyer, when utilizing TOSHIBA products, to comply with the standards of safety in making a safe design for the entire system, and to avoid situations in which a malfunction or failure of such TOSHIBA products could cause loss of human life, bodily injury or damage to property.  
In developing your designs, please ensure that TOSHIBA products are used within specified operating ranges as set forth in the most recent TOSHIBA products specifications. Also, please keep in mind the precautions and conditions set forth in the "Handling Guide for Semiconductor Devices," or "TOSHIBA Semiconductor Reliability Handbook" etc..
- The TOSHIBA products listed in this document are intended for usage in general electronics applications (computer, personal equipment, office equipment, measuring equipment, industrial robotics, domestic appliances, etc.). These TOSHIBA products are neither intended nor warranted for usage in equipment that requires extraordinarily high quality and/or reliability or a malfunction or failure of which may cause loss of human life or bodily injury ("Unintended Usage"). Unintended Usage include atomic energy control instruments, airplane or spaceship instruments, transportation instruments, traffic signal instruments, combustion control instruments, medical instruments, all types of safety devices, etc.. Unintended Usage of TOSHIBA products listed in this document shall be made at the customer's own risk.
- The products described in this document are subject to the foreign exchange and foreign trade laws.
- The information contained herein is presented only as a guide for the applications of our products. No responsibility is assumed by TOSHIBA CORPORATION for any infringements of intellectual property or other rights of the third parties which may result from its use. No license is granted by implication or otherwise under any intellectual property or other rights of TOSHIBA CORPORATION or others.
- The information contained herein is subject to change without notice.