


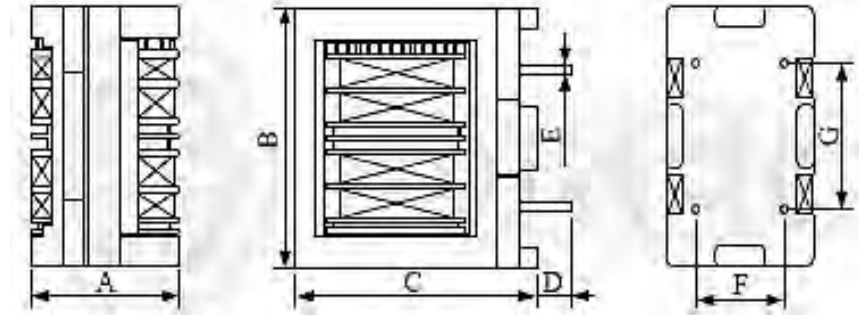
TCET28B

Configurations & Dimensions (Unit: mm) (TCET28B)

Type	A (max)	B(max)	C(max)	D	E	F	G
TCET28B	22.0	31.0	35.5	4.0	Φ0.8	10.0	13.0



(TCET28B) Image View



(TCET28B) Configurations & Dimensions

- Note: Design as Customer's Requested Specifications.

Electrical Characteristics (TCET28B) at 25°C

Part Number	Inductance (mH)(min)	Inductance Balance (μH)(max)	DCR (Ω)(max)	IDC (A)(max)
TCET28B-182	1.8	100	0.072	2.60
TCET28B-682	6.8	200	0.23	1.60
TCET28B-123	12.0	400	0.38	1.20
TCET28B-223	22.0	500	0.65	1.00
TCET28B-393	39.0	700	1.43	0.70
TCET28B-683	68.0	850	1.82	0.60

Note:

- Test Freq.: 1.0kHz
- Allowable Current: D.C. Current When Temperature of Coil Increased up to 40°C. (Ta=25°C)