

SPEC: NO.	TQ3C-8EAF0-E1DDP04-00
DATE	April 8, 2006


# S P E C

FOR : \_\_\_\_\_

TYPE: TCG057VG1AC-G00

## CONTENTS

1. Application
2. Construction and Outline
3. Mechanical Specifications
4. Absolute Maximum Ratings
5. Electrical Characteristics
6. Optical Characteristics
7. Interface Signals
8. Timing Characteristics of input signals
9. Backlight Characteristics
10. Lot Number Identification
11. Warranty
12. Precautions for Use
13. Reliability Data / Environmental Test
14. Outline Drawing

**Issued**  
 Date: APR. 11. 2006  
 **KYOCERA**  
 Hayato LCD Division

KYOCERA CORPORATION  
 KAGOSHIMA HAYATO PLANT  
 LCD DIVISION

This specification is subject to change without notice.  
 Consult Kyocera before ordering.

Original	Designed by :Engineering Dept.			Confirmed by :QA Dept.	
Issue Date	Prepared	Checked	Approved	Checked	Approved
April 8, 2006	<i>H. Nishino</i>	<i>Y. Yamagaki</i>	<i>M. Fujitani</i>	<i>Y. Nibe</i>	<i>S. Hayashi</i>

## Caution

1. This Kyocera LCD module has been specifically designed for use only in electronic devices in the areas of audio control, office automation, industrial control, home appliances, etc. The modules should not be used in applications where module failure could result in physical harm or loss of life, and Kyocera expressly disclaims any and all liability relating in any way to the use of the module in such applications.
2. Customer agrees to indemnify, defend and hold Kyocera harmless from and against any and all actions, claims, losses, damages, liabilities, awards, costs, and expenses, including legal fees, resulting from or arising out of Customer's use, or sale for use, of Kyocera modules in applications.
3. Kyocera shall have the right, which Customer hereby acknowledges, to immediately scrap or destroy tooling for Kyocera modules for which no Purchase Orders have been received from the Customer in a two-year period.

Revision Record

Date	Designed by: Engineering Dept.			Confirmed by: QA Dept.	
	Prepared	Checked	Approved	Checked	Approved
Rev. No.	Date	Page	Descriptions		

## 1. Application

This data sheet defines the specification for a  $(640 \times R.G.B) \times 480$  dot, amorphous silicon TFT transmissive color dot matrix type Liquid Crystal Display with CFL backlight.

『RoHS Compliant』

## 2. Construction and Outline

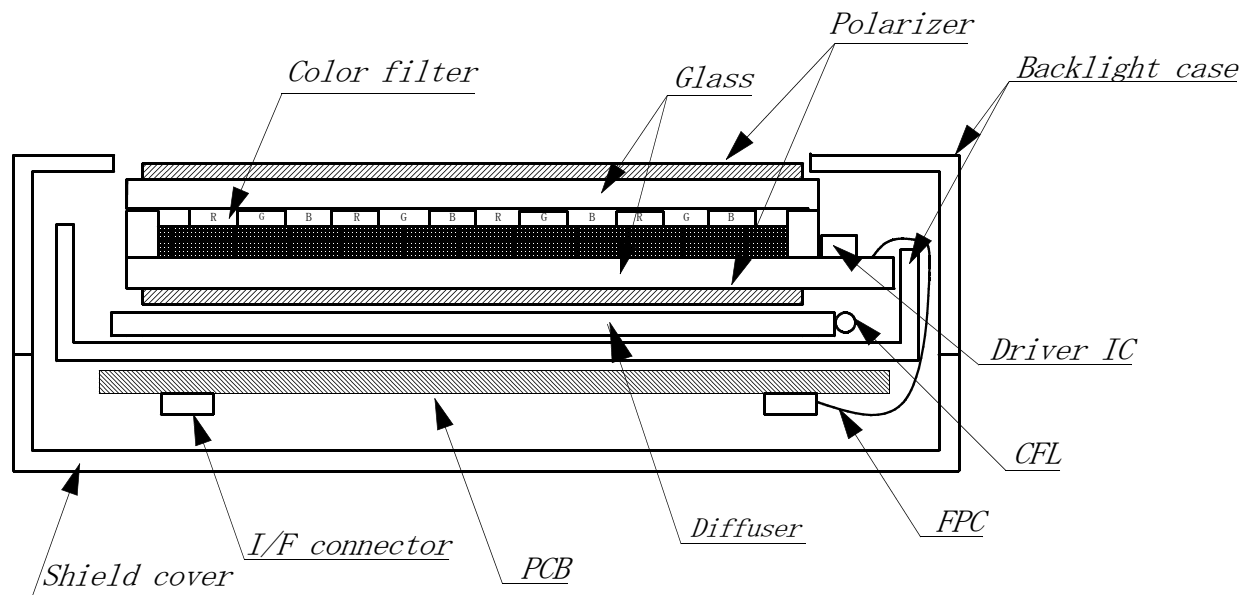
$(640 \times R.G.B) \times 480$  dots, COG type LCD with CFL backlight.

Backlight system : "U" figured type CFL (1 tube).

Inverter : Option.  
Recommended Inverter : CXA-L0612A-VJL (TDK)  
or Equivalent.

Polarizer : Glare treatment.

Additional circuits : Timing controller, Power supply (3.3V input)



This drawing is showing conception only.

### 3. Mechanical Specifications

ITEM	SPECIFICATION	UNIT
Outline dimensions	144 (W) × (104.8) (H) × 13.0 (D)	mm
Effective viewing area	117.2 (W) × 88.4 (H)	mm
Dot number	(640×R.G.B) (W) × 480 (H)	Dots
Dot pitch	0.06 (W) × 0.18 (H)	mm
Display mode *1	Normally white	—
Mass	(220)	g

\*1 Due to the characteristics of the LCD material, the color vary with environmental temperature.

### 4. Absolute Maximum Ratings

#### 4-1. Electrical absolute maximum ratings

ITEM	SYMBOL	Min.	Max.	UNIT
Power input voltage	VDD	0	4.0	V
Input signal voltage *1	Vin	-0.3	6.0	V

\*1 Input signals : CK, R0~R5, G0~G5, B0~B5, Hsync, Vsync, ENAB, R/L, U/D, V/Q

4-2. Environmental absolute maximum ratings

ITEM	SYMBOL	Min.	Max.	UNIT
Operating temperature *1	Top	-10	70	°C
Storage temperature *2	Tsto	-30	80	°C
Operating humidity *3	Hop	10	*4	%RH
Storage humidity *3	Hsto	10	*4	%RH
Vibration	—	*5	*5	—
Shock	—	*6	*6	—

\*1 Operating temperature means a temperature which operation shall be guaranteed.  
Since display performance is evaluated at 25°C, another temperature range should be confirmed.

\*2 Temp. = -30 °C < 48 h , Temp = 80 °C < 168 h  
Store LCD panel at normal temperature/humidity.  
Keep it free from vibration and shock.  
LCD panel that is kept at low or high temperature for a long time can be defective due to the other conditions, even if the temperature satisfies standard.  
(Please refers to 12. Precautions for use as detail).

\*3 Non-condensation.

\*4 Temp.  $\leq$  40°C, 85%RH Max.  
Temp. > 40°C, Absolute Humidity shall be less than 85% RH at 40°C.

\*5

Frequency	10~55 Hz	Converted to acceleration value : (0.3~9 m/s <sup>2</sup> )
Vibration width	0.15 mm	
Interval	10-55-10 Hz 1 minute	

2 hours in each direction X/Y/Z (6 hours as total)  
EIAJ ED-2531

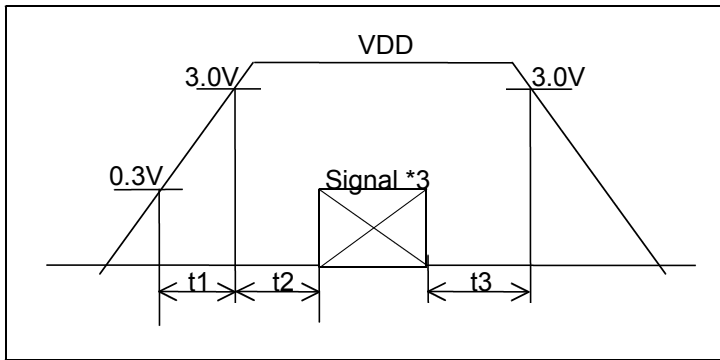
\*6 Acceleration: 490m/s<sup>2</sup>  
Pulse width : 11 ms  
3 times in each direction :  $\pm X/\pm Y/\pm Z$ .  
EIAJ ED-2531

## 5. Electrical Characteristics

Temp. = -10~70°C

ITEM	SYMBOL	MIN	TYP	MAX	UNIT
Power input voltage *1	VDD	3.0	3.3	3.6	V
Current consumption *2	IDD	—	210	270	mA
VDD=3.3V Temp. =25°C					
Permissive input ripple voltage (VDD=3.3V)	VRP	—	—	100	mVp-p
Input signal voltage (Low) *3	VIL	0	—	0.3VDD	V
Input signal voltage (High) *3	VIH	0.7VDD	—	VDD	V

\*1 VDD-turn-on conditions



$$0 < t_1 \leq 20 \text{ ms}$$

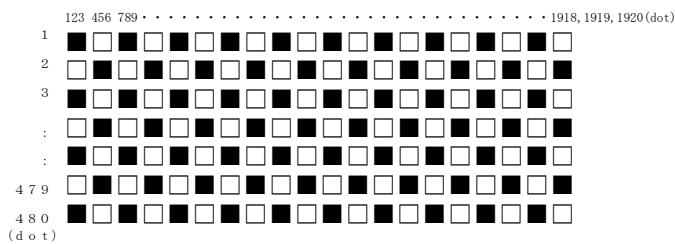
$$0 < t_2 \leq 50 \text{ ms}$$

$$0 < t_3 \leq 1 \text{ s}$$

\*2 Power consumption

Black & White pattern :

VDD = 3.3V, V/Q=H



\*3 Input signal : CK, R0~R5, G0~G5, B0~B5, Hsync, Vsync, ENAB, R/L, U/D, V/Q

## 6. Optical Characteristics

Measuring points =  $\phi$  6.0mm , Temp. = 25°C

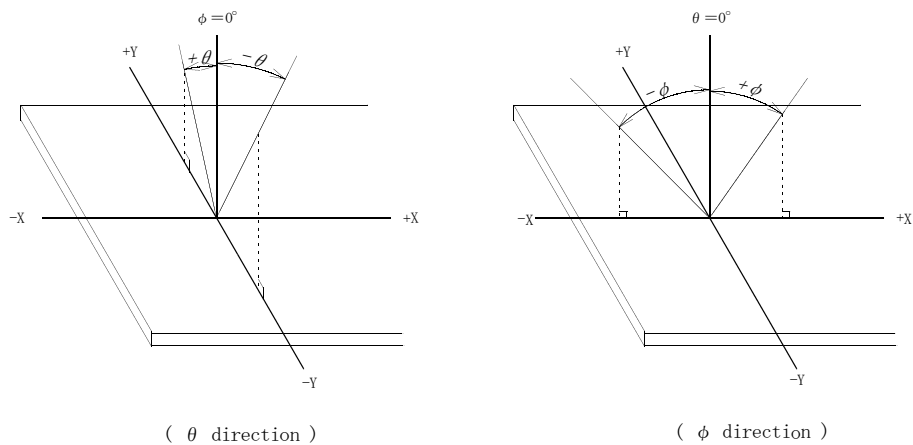
ITEM		SYMBOL	CONDITION	MIN	TYP	MAX	UNIT	
Response time	Rise	$\tau r$	$\theta = \phi = 0^\circ$	—	(10)	—	ms	
	Down	$\tau d$	$\theta = \phi = 0^\circ$	—	(25)	—	ms	
Viewing angle range		$\theta$	$CR \geq 5$	Upper	—	(80)	—	deg.
				Lower	—	(70)	—	
		$\phi$		Left	—	(80)	—	deg.
				Right	—	(80)	—	
Contrast ratio		CR	$\theta = \phi = 0^\circ$	(280)	(400)	—	—	
Brightness		L	IL=4.0mArms.	(250)	(350)	—	cd/m <sup>2</sup>	
Chromaticity coordinates	Red	x	$\theta = \phi = 0^\circ$	(0.56)	(0.61)	(0.66)	—	
		y		(0.29)	(0.34)	(0.39)		
	Green	x	$\theta = \phi = 0^\circ$	(0.26)	(0.31)	(0.36)		
		y		(0.49)	(0.54)	(0.59)		
	Blue	x	$\theta = \phi = 0^\circ$	(0.10)	(0.15)	(0.20)		
		y		(0.08)	(0.13)	(0.18)		
	White	x	$\theta = \phi = 0^\circ$	(0.27)	(0.32)	(0.37)		
		y		(0.28)	(0.33)	(0.38)		

6-1. Contrast ratio is defined as follows:

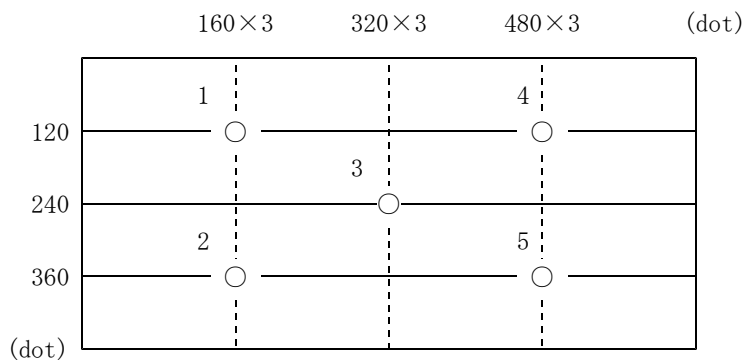
$$CR = \frac{\text{Brightness at all pixels "White"}}{\text{Brightness at all pixels "Black"}}$$



6-2. Definition of viewing angle



6-3. Measuring points



- 1) Rating is defined as the average brightness inside the viewing area.
- 2) 30 minutes after CFL is turned on. (Ambient Temp.=25°C)
- 3) The inverter should meet the CFL rating condition.  
Sine, symmetric waveform without spike in positive and negative.

## 7. Interface signals

### 7-1. LCD

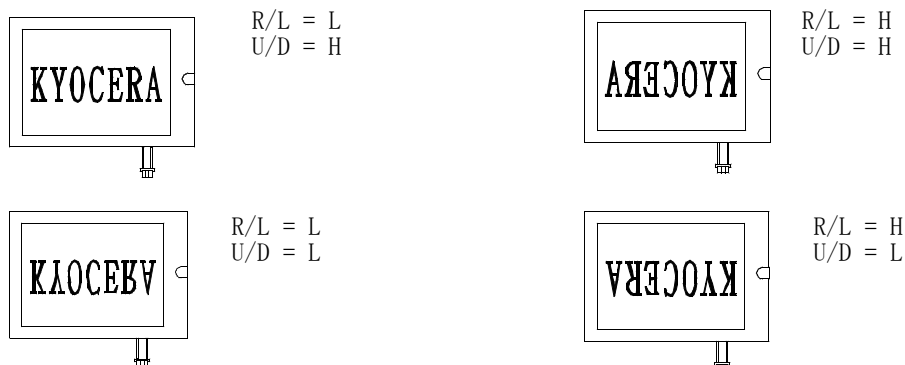
PIN NO.	SYMBOL	DESCRIPTION	I/O	Note
1	GND	GND	-	
2	CK	Clock signal for sampling each data signal	I	
3	Hsync	Horizontal synchronous signal (negative)	I	
4	Vsync	Vertical synchronous signal (negative)	I	
5	GND	GND	-	
6	R0	RED data signal (LSB)	I	
7	R1	RED data signal	I	
8	R2	RED data signal	I	
9	R3	RED data signal	I	
10	R4	RED data signal	I	
11	R5	RED data signal (MSB)	I	
12	GND	GND	-	
13	G0	GREEN data signal (LSB)	I	
14	G1	GREEN data signal	I	
15	G2	GREEN data signal	I	
16	G3	GREEN data signal	I	
17	G4	GREEN data signal	I	
18	G5	GREEN data signal (MSB)	I	
19	GND	GND	-	
20	B0	BLUE data signal (LSB)	I	
21	B1	BLUE data signal	I	
22	B2	BLUE data signal	I	
23	B3	BLUE data signal	I	
24	B4	BLUE data signal	I	
25	B5	BLUE data signal (MSB)	I	
26	GND	GND	-	
27	ENAB	Signal to settle the horizontal display position (positive)	I	*1
28	VDD	3.3V power supply	-	
29	VDD	3.3V power supply	-	
30	R/L	Horizontal display mode select signal L : Normal , H : Left / Right reverse mode	I	*2
31	U/D	Vertical display mode select signal H : Normal , L : Up / Down reverse mode	I	*2
32	V/Q	H : Normal	I	
33	GND	GND	-	

LCD connector : 08-6210-033-340-800+ (ELCO)

Recommended matching connector : 0.5 mm pitch FFC or FPC

\*1 The horizontal display start timing is settled in accordance with a rising timing of ENAB signal.  
In case ENAB is fixed "Low", the horizontal start timing is determined as described in 8-2.  
Don't keep ENAB "High" during operation.

\*2



### 7-2. CFL

PIN NO.	SYMBOL	DESCRIPTION
1	HOT	Inverter output high voltage side
2	NC	—
3	COLD	Inverter output low voltage side

LCD side connector : BHR-03VS-1 (JST)

Recommended matching connector : SM02-(8.0)B-BHS-1 (JST)

: SM02-(8.0)B-BHS-1-TB(LF)(SN) (JST) . . . RoHS

\* Please be careful NOT to connect inversely an inverter-output high voltage side to the CFL low voltage side. It may result in damage or electric shock.

## 8. Timing Characteristics of input signals

### 8-1. Timing characteristics

ITEM		SYMBOL	MIN	TYP	MAX	UNIT	NOTE
Clock	Frequency	1/Tc	—	25.18	28.33	MHz	V/Q=H
	Duty ratio	Tch/Tc	40	50	60	%	
Data	Set up time	Tds	5	—	—	ns	
	Hold time	Tdh	10	—	—	ns	
Horizontal sync. signal	Cycle	TH	30.0	31.8	—	$\mu s$	V/Q=H
			770	800	900	clock	
	Pulse width	THp	2	96	200	clock	
Vertical sync. signal	Cycle	TV	515	525	560	line	V/Q=H
	Pulse width	TVp	2	—	34	line	
Horizontal display period		THd	640			clock	
Hsync.-Clock phase difference		THc	10	—	Tc-10	ns	
Hsync.-Vsync. phase difference		TVh	0	—	TH-THp	ns	
Vertical sync. signal start position		TVs	34			line	V/Q=H
Vertical display period		TVd	480			line	

\*In case of lower frequency, the deterioration of the display quality, flicker etc., may occur.

### 8-2. Horizontal display position

The horizontal display position is determined by ENAB signal.

ITEM		SYMBOL	MIN	TYP	MAX	UNIT	NOTE
Enable signal	Set up time	Tes	5	—	Tc-10	ns	
	Pulse width	Tep	2	640	TH-10	clock	
Hsync.-Enable signal phase difference		The	44	—	104	clock	V/Q=H

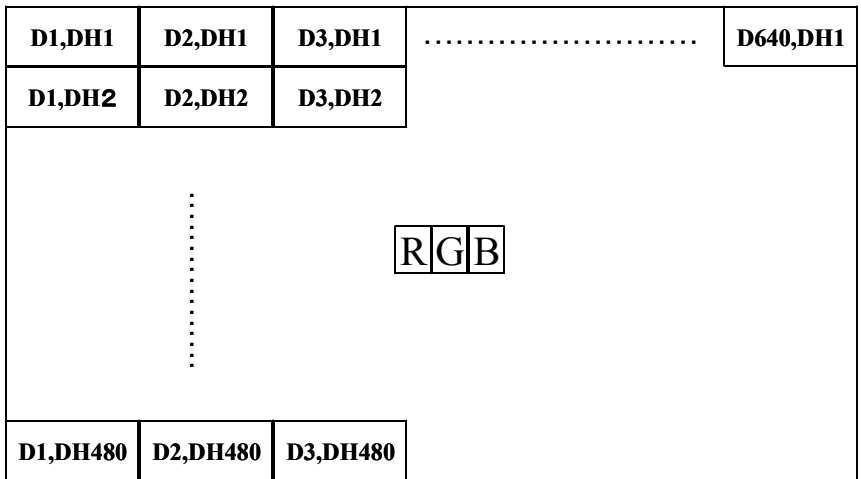
\* When ENAB is fixed at "Low", the display starts from the data of C104 (clock) as shown in 8-5.

### 8-3. Vertical display position

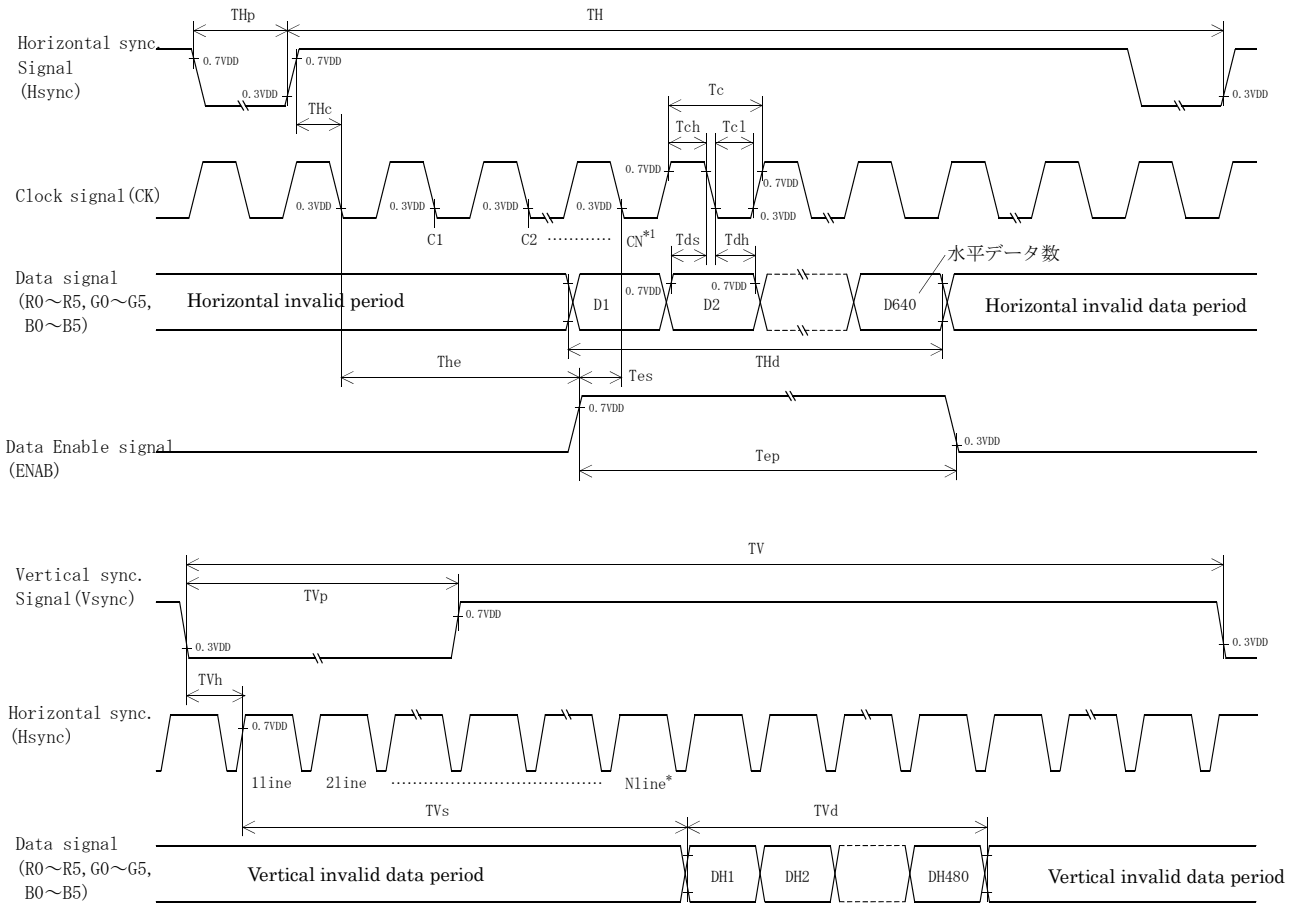
The vertical display position (TVs) is fixed at 34th line. (V/Q=H)

Note) ENAB signal is independent of vertical display position.

8-4. Input Data Signals and Display position on the screen



8-5. Input Timing Characteristics



\*1 When ENAB is fixed "Low" the display starts from the data of C104(Clock)

\*2 The vertical display position( $TV_s$ ) is fixed at 34<sup>th</sup> line.

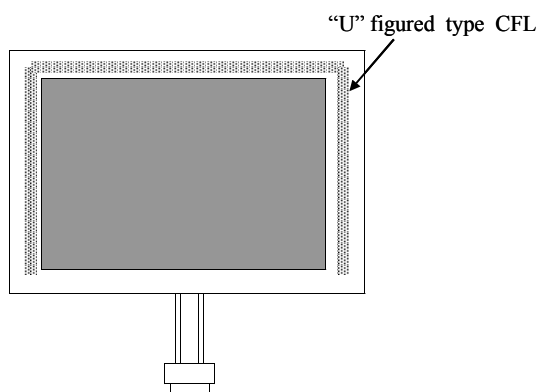
## 9. Backlight Characteristics

Temp. = 25°C

ITEM	SYMBOL	MIN.	TYP.	MAX.	NOTE
Starting discharge Voltage *1	VS	—	—	1,550 Vrms.	-10 °C
		—	—	1,035 Vrms.	25 °C
Discharging tube current *2	IL	3.0 mArms.	4.0 mArms.	5.0 mArms.	—
Discharging tube voltage	VL	—	685 Vrms.	—	IL=4.0 mArms.
Operating life *3	T	60,000 h	75,000 h	—	IL=4.0 mArms.
Operating frequency *4	F	30 kHz	—	100 kHz	—

- \*1 The Non-load output voltage (VS) of the inverter should be 1.3 times the maximum VS at the low temperature to provide margin to assure that the CFL will start, because actual VS may increase due to leakage current from the CFL cables. (Reference value: 2,015 Vrms Min.)
- \*2 We recommend that you should set the discharging tube current at lower than typical value so as to prevent the heat accumulation of CFL tube from deteriorating a performance of the LCD.
- \*3 End of life is defined as when the illuminance or quantity of light has decreased to 50% of the initial value. Illuminance of light will drastically decrease when LCD is operated at lower temperature for long hours.
- \*4 The driving frequency of the CFL may interfere with the horizontal synchronous signal, leaving interference stripes on the display. So please evaluate LCD panels beforehand. To avoid interference stripes, we recommend to separate as far as possible the CFL frequency from the horizontal synchronous signal and its high harmonic frequency.
- \* There may be cases where interface noise on LCD PCB, generated by high-voltage products such as inverters, may leave stripes on the display. Please be careful when designing a mold to take into consideration that the inverter shall be located as far as possible from PCB. Shield protection may be effective.

\* CFL arrangement figure



## 10. Lot Number Identification

The lot number shall be indicated on the back of the backlight case of each LCD.

TCG057VG1AC-G00 - □ □ - □ □ - □ MADE IN □ □ □ □ □

↓      ↓      ↓      ↓      ↓  
 ①    ②    ③    ④    ⑤

①YEAR  
 ②MONTH  
 ③DATE  
 ④Version Number  
 ⑤Country of origin(Japan or China)

YEAR	2006	2007	2008	2009	2010	2011
CODE	6	7	8	9	0	1

MONTH	JAN.	FEB.	MAR.	APR.	MAY.	JUN.
CODE	1	2	3	4	5	6

MONTH	JUL.	AUG.	SEP.	OCT.	NOV.	DEC.
CODE	7	8	9	X	Y	Z

## 11. Warranty

### 11-1. Incoming inspection

Please inspect the LCD within one month after your receipt.

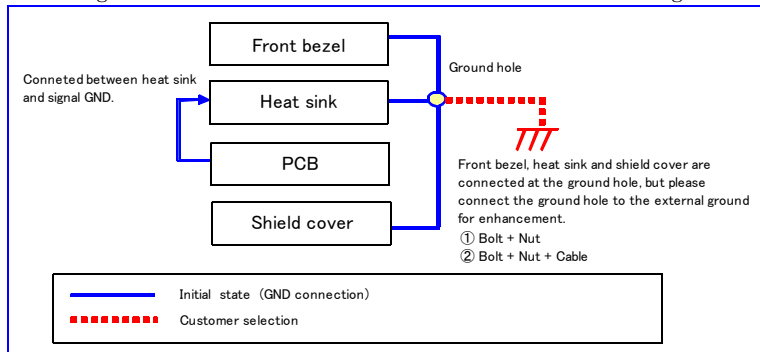
### 11-2. Production Warranty

Kyocera warrants its LCDs for a period of 12 months after receipt by the purchaser, and within the limits specified. Kyocera shall, by mutual agreement, replace or rework defective LCDs that are shown to be Kyocera's responsibility.

## 1 2. Precautions for use

### 12-1. Installation of the LCD

1. The LCD's bezel must be grounded. The heat sink and shield cover are connected at the ground hole. The ground hole is located on the right side of the LCD when viewed from the front. The ground hole must be connected to an external ground.



2. A transparent protection sheet shall be added to protect the LCD and its polarizers.
3. The LCD shall be installed so that there is no pressure on the LSI chips.
4. The LCD shall be installed flat, without twisting or bending.
5. The display window size should be the same as the effective viewing area.
6. In case you use outside frame of effective viewing area as outward appearance of your product, unevenness of its outward appearance is out of guarantee.
7. Please refer to the following our recommendable value of Clamp-down torque when installing.  
Clamp-down torque:  $3.3 \pm 0.3$  kgf.cm Please set up 'SPEED-LOW', 'SOFT START-SLOW' when using electric driver .  
Recommendable screw P-TITE screw nominal dia. 3.0mm  
installing boss hole depth  $3.5 \pm 0.5$  mm  
Please be careful not to use high torque which may damage LCD module in installation.
8. A transparent protection sheet is attached to the polarizer. Please remove the protection film slowly before use, paying attention to static electricity.
9. Do not pull the CFL lead wires and do not bend the root of the wires.  
Housing should be designed to protect CFL lead wires from external stress.
10. This Kyocera LCD module has been specifically designed for use in general electronic devices, but not for use in a special environment such as usage in an active gas.  
Hence, when the LCD is supposed to be used in a special environment, evaluate the LCD thoroughly beforehand and do not expose the LCD to chemicals such as an active gas.

### 12-2. Static Electricity

1. Since CMOS ICs are mounted directly onto the LCD glass, protection from static electricity is required. Operator should wear ground straps.

### 12-3. LCD Operation

1. The LCD shall be operated within the limits specified. Operation at values outside of these limits may shorten life, and/or harm display images.
2. Adjust "LCD driving voltage" to obtain optimum viewing angle and contrast.  
It may also change the characteristics of the liquid crystal.  
This phenomenon may not recover. The LCD shall be operated within the temperature limits specified.

### 12-4. Storage

1. The LCD shall be stored within normal temperature and humidity.  
Store in a dark area, and protected the LCD from direct sunlight or fluorescent light.
2. Always store the LCD so that it is free from external pressure onto it.

12-5. Caution items when handling the LCD.

1. DO NOT store in a high humidity environment for extended periods.  
Image degradation, bubbles, and/or peeling off of polarizer may result.
2. The front polarizer is easily scratched or damaged.  
Prevent touching it with any hard material, and from being pushed or rubbed.
3. The LCD screen may be cleaned with a soft cloth or cotton pad.  
Methanol, or Isopropyl Alcohol may be used, but insure that all solvent residue is removed.
4. Water may cause damage or discoloration of the polarizer.  
Clean any condensation or moisture from any source immediately.
5. Always keep the LCD free from condensation during testing.  
Condensation may permanently spot or stain the polarizers.
6. Do not disassemble LCD module because it will result in damage.
7. Please do not use solid-base image pattern for long hours because a temporary afterimage may appear. We recommend to use screen saver etc. in cases where a solid-base image pattern must be used.
8. Liquid crystal may leak when the module is broken. Be careful not to let the fluid go into your eyes and mouth. In the case the fluid touches your body, rinse it off right away with water and soap.



### 13. Reliability Data / Environmental Test

TEST ITEM	TEST CONDITION	TEST TIME	RESULT
High Temp. Atmosphere	(80°C)	240 h	Display Quality : No defect Display Function : No defect Current Consumption : No defect
Low Temp. Atmosphere	(-30°C)	240 h	Low Temp. Bubble : None Solid Crystallization of Liquid Crystal : None Display Quality : No defect Display Function : No defect Current Consumption : No defect
High Temp. Humidity Atmosphere	(40°C) (90%RH)	240 h	Display Quality : No defect Display Function : No defect Peel-off of Organic Sealing : None Current Consumption : No defect
Temp. Cycle	(-30°C 0.5 h) (R. T. 0.5 h) (80°C 0.5 h)	10 cycles	Display Quality : No defect Display Function : No defect Peel-off of Organic Sealing : None Bubble on Cell : None
High Temp. Operation	(70°C) Vop	240 h	Display Quality : No defect Display Function : No defect Current Consumption : No defect

\* Each test item uses a test LCD only once. The tested LCD is not used in any other tests.

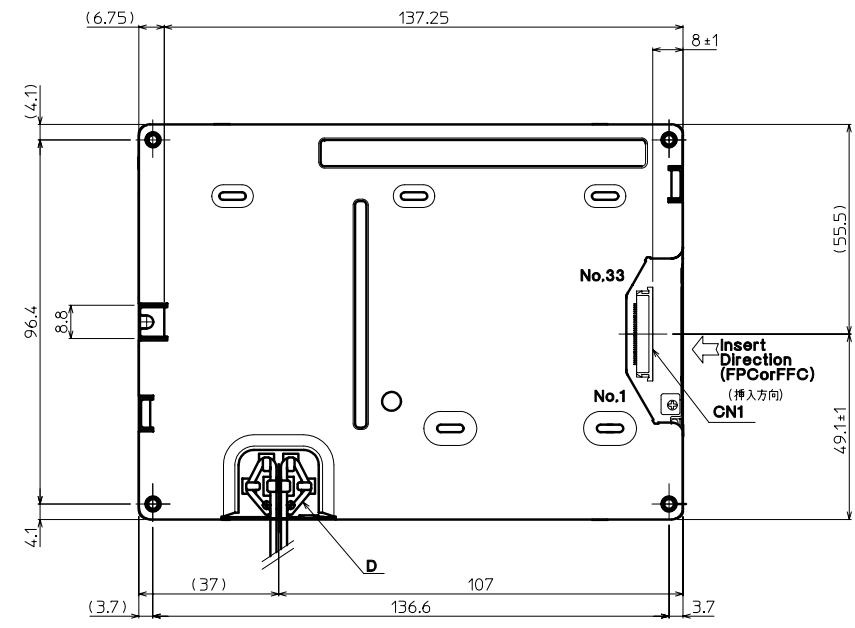
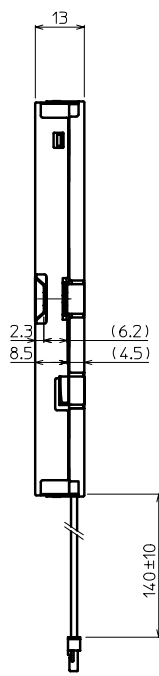
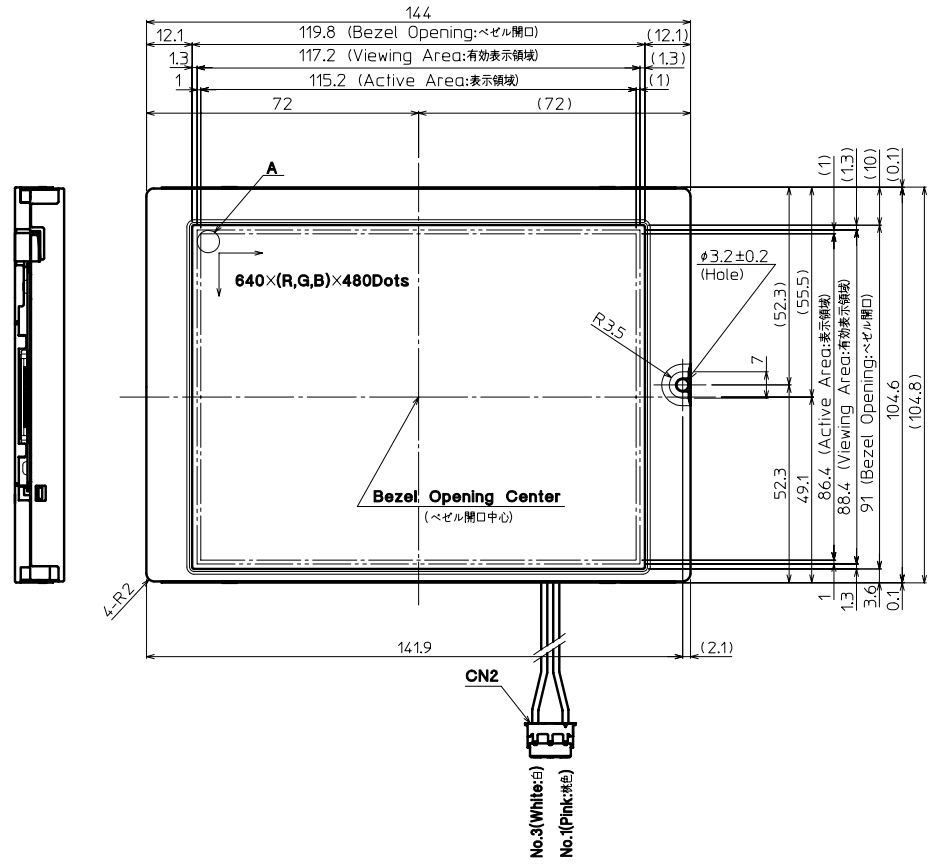
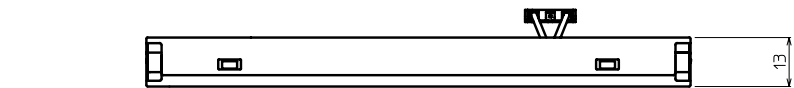
\* The LCD is tested in circumstances in which there is no condensation.

\* The tested LCD is inspected after 24 hours of storage at room temperature and room humidity after each test is finished.

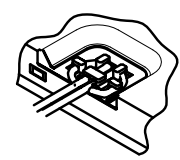
\* The reliability test is not an out-going inspection.

\* The results of the reliability test are for your reference purpose only.  
The reliability test is conducted only to examine the LCD's capability.

No	Description	Drawn	Checked	Checked	Approved



DETAIL A (Dot Size)  
(NTS)



ISOMETRIC D NTS  
(アイソメ図)

- Note.(注記)
- Connector CN1: 08-6210-033-340-800+ (ELCO)  
(コネクタ) CN2: BHR-03VS-1(JST)
  - Matching Connector CN2: SM02-(8.0)B-BHS-1 (JST)  
(適合コネクタ) SM02-(8.0)B-BHS-1-TB-(LF)(SN) (JST)
  - The Information of LCD is displayed starting at the upper left hand corner, moving right then down to the lower right hand corner.  
(LCDにおいて、画像データの表示は左上コーナーから始まり、右へ進み下へ送られ右下コーナーへ向かう。)
  - Tolerance without indication:  $\pm 0.5$   
(指示無き公差)

Material 材質	Treatment 処理	Approved '06.04.10	Checked	Checked '06.04.10	Drawn 朝倉	Scale 1:1(NTS)	Title TCG057VG1AC	KYOCERA Year-Month-Day '06.04.10	Size 2
Quantity 製作数	Description 備考	RoHS	朝倉	倉元	鶴崎	Outline Dimensions	Drawing No. 121A5049000		

SPEC. NO.	TQ3C-8EAF0-E2DDP04-00
DATE	April 8, 2006

FOR : \_\_\_\_\_

KYOCERA INSPECTION STANDARD

TYPE : TCG057VG1AC-G00

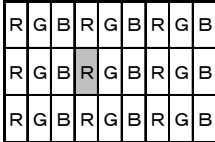
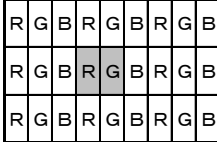
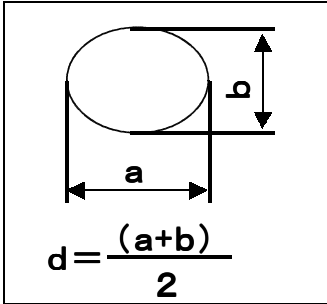
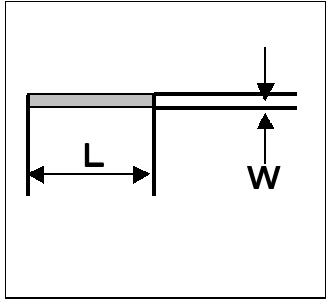
KYOCERA CORPORATION  
 KAGOSHIMA HAYATO PLANT  
 LCD DIVISION

Original	Designed by :Engineering Dept.			Confirmed by :QA Dept.	
Issue Date	Prepared	Checked	Approved	Checked	Approved
April 8, 2006	<i>A. Nishino</i>	<i>Y. Yamaguchi</i>	<i>M. Fujitani</i>	<i>Y. Nibo</i>	<i>M. Hayashi</i>

Revision Record

Date	Designed by: Engineering Dept.			Confirmed by: QA Dept.	
	Prepared	Checked	Approved	Checked	Approved
Rev. No.	Date	Page	Descriptions		

1) Note

		Note		
General	<p>1. Customer identified anomalies not defined within this inspection standard shall be reviewed by Kyocera, and an additional standard shall be determined by mutual consent.</p> <p>2. Inspection Conditions            Luminance : 500 Lux minimum            Inspection distance : 300 mm (from the sample)            Temperature : 25 ± 5 °C            Direction : directly above</p>			
Definition of Inspection item	Dot defect	Bright dot defect	<p>The dot is constantly "on" when power applied to the LCD, even when all "Black" data sent to the screen.            Inspection tool: 5% Transparency neutral density filter.            Count dot: If the dot is visible through the filter            Don't count dot: If the dot is not visible through the filter.</p>  <p style="text-align: right;">■ dot defect</p>	
		Black dot defect	<p>The dot is constantly "off" when power applied to the LCD, even when all "white" data sent to the screen.</p>	
		Adjacent dot	<p>Adjacent dot defect is defined as two or more bright dot defects or black dot defects.</p>  <p style="text-align: right;">■ dot defect</p>	
	External inspection	Bubble, Scratches, Foreign particle (Polarizer, Cell, Backlight)	Visible operating (all pixels "Black" or "White") and non operating.	
		Appearance inspection	Does not satisfy the value at the spec.	
	Others	CFL wires	Damaged to the CFL wires, connector, pin, functional failure or appearance failure.	
	Definition of size	<p>Definition of circle size</p>  $d = \frac{(a+b)}{2}$	<p>Definition of linear size</p> 	

2) Standard

Classification		Inspection item	Judgement standard																	
defect (in LCD glass)	Dot defect	Bright dot defect	Acceptable number : 4 bright dots defects Bright dot spacing : 5 mm or more																	
		Black dot defect	Acceptable number : 5 black dots defects Black dot spacing : 5 mm or more																	
		2 dots join	Bright dot defect	Acceptable number : 2																
			Black dot defect	Acceptable number : 3																
		3 or more dots join	Acceptable number : 0																	
	Total dot defects	Acceptable number : 5 Max																		
	Others	White dot, Dark dot (Circle)	<table border="1"> <thead> <tr> <th>Size(mm)</th> <th>Acceptable Number</th> </tr> </thead> <tbody> <tr> <td>d &lt; 0.2</td> <td>(neglected)</td> </tr> <tr> <td>0.2 &lt; d ≤ 0.4</td> <td>5</td> </tr> <tr> <td>0.4 &lt; d ≤ 0.5</td> <td>3</td> </tr> <tr> <td>0.5 &lt; d</td> <td>0</td> </tr> </tbody> </table>			Size(mm)	Acceptable Number	d < 0.2	(neglected)	0.2 < d ≤ 0.4	5	0.4 < d ≤ 0.5	3	0.5 < d	0					
Size(mm)	Acceptable Number																			
d < 0.2	(neglected)																			
0.2 < d ≤ 0.4	5																			
0.4 < d ≤ 0.5	3																			
0.5 < d	0																			
External inspection (Defect on Polarizer or between Polariz- er and LCD glass)	Polarizer(Scratches)	<table border="1"> <thead> <tr> <th>Width(mm)</th> <th>Length(mm)</th> <th>Acceptable Number</th> </tr> </thead> <tbody> <tr> <td>W ≤ 0.1</td> <td>-</td> <td>(neglected)</td> </tr> <tr> <td rowspan="2">0.1 &lt; W ≤ 0.3</td> <td>L ≤ 5.0</td> <td>(neglected)</td> </tr> <tr> <td>5.0 &lt; L</td> <td>0</td> </tr> <tr> <td>0.3 &lt; W</td> <td>-</td> <td>0</td> </tr> </tbody> </table>				Width(mm)	Length(mm)	Acceptable Number	W ≤ 0.1	-	(neglected)	0.1 < W ≤ 0.3	L ≤ 5.0	(neglected)	5.0 < L	0	0.3 < W	-	0	
		Width(mm)	Length(mm)	Acceptable Number																
		W ≤ 0.1	-	(neglected)																
		0.1 < W ≤ 0.3	L ≤ 5.0	(neglected)																
	5.0 < L		0																	
	0.3 < W	-	0																	
	Polarizer Touch panel (Bubble, Dent)	<table border="1"> <thead> <tr> <th>Size(mm)</th> <th>Acceptable Number</th> </tr> </thead> <tbody> <tr> <td>d &lt; 0.2</td> <td>(neglected)</td> </tr> <tr> <td>0.2 &lt; d ≤ 0.3</td> <td>5</td> </tr> <tr> <td>0.3 &lt; d ≤ 0.5</td> <td>3</td> </tr> <tr> <td>0.5 &lt; d</td> <td>0</td> </tr> </tbody> </table>				Size(mm)	Acceptable Number	d < 0.2	(neglected)	0.2 < d ≤ 0.3	5	0.3 < d ≤ 0.5	3	0.5 < d	0					
		Size(mm)	Acceptable Number																	
		d < 0.2	(neglected)																	
		0.2 < d ≤ 0.3	5																	
	0.3 < d ≤ 0.5	3																		
	0.5 < d	0																		
Foreign Particle(Circular shape)	<table border="1"> <thead> <tr> <th>Size(mm)</th> <th>Acceptable Number</th> </tr> </thead> <tbody> <tr> <td>d &lt; 0.2</td> <td>(neglected)</td> </tr> <tr> <td>0.2 &lt; d ≤ 0.4</td> <td>5</td> </tr> <tr> <td>0.4 &lt; d ≤ 0.5</td> <td>3</td> </tr> <tr> <td>0.5 &lt; d</td> <td>0</td> </tr> </tbody> </table>				Size(mm)	Acceptable Number	d < 0.2	(neglected)	0.2 < d ≤ 0.4	5	0.4 < d ≤ 0.5	3	0.5 < d	0						
	Size(mm)	Acceptable Number																		
	d < 0.2	(neglected)																		
	0.2 < d ≤ 0.4	5																		
0.4 < d ≤ 0.5	3																			
0.5 < d	0																			
Foreign Particle (Linear shape), Scratches	<table border="1"> <thead> <tr> <th>Width(mm)</th> <th>Length(mm)</th> <th>Acceptable Number</th> </tr> </thead> <tbody> <tr> <td>W ≤ 0.03</td> <td>-</td> <td>(neglected)</td> </tr> <tr> <td rowspan="3">0.03 &lt; W ≤ 0.1</td> <td>L ≤ 2.0</td> <td>(neglected)</td> </tr> <tr> <td>2.0 &lt; L ≤ 4.0</td> <td>3</td> </tr> <tr> <td>4.0 &lt; L</td> <td>0</td> </tr> <tr> <td>0.1 &lt; W</td> <td>-</td> <td>(According to Circular shape)</td> </tr> </tbody> </table>				Width(mm)	Length(mm)	Acceptable Number	W ≤ 0.03	-	(neglected)	0.03 < W ≤ 0.1	L ≤ 2.0	(neglected)	2.0 < L ≤ 4.0	3	4.0 < L	0	0.1 < W	-	(According to Circular shape)
	Width(mm)	Length(mm)	Acceptable Number																	
	W ≤ 0.03	-	(neglected)																	
	0.03 < W ≤ 0.1	L ≤ 2.0	(neglected)																	
		2.0 < L ≤ 4.0	3																	
4.0 < L		0																		
0.1 < W	-	(According to Circular shape)																		