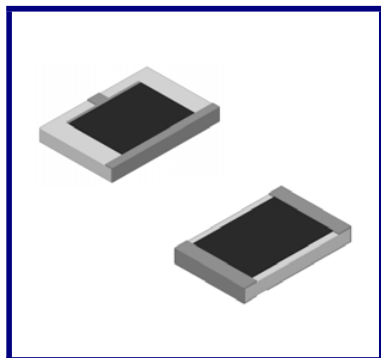


## Terminations

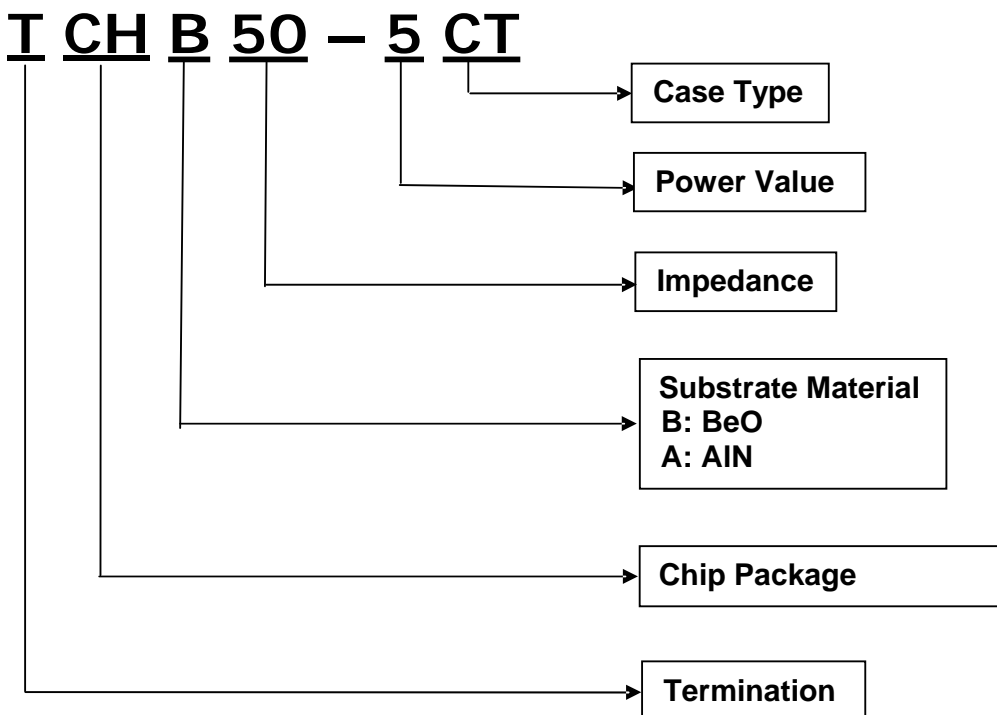
### Chip



- ◆ Resistance\*: 50Ω
- ◆ Substrate Material: BeO, AlN
- ◆ Resistance Tolerance\*: ±5%
- ◆ Power: 5-250W
- ◆ Frequency Range\*: DC-18GHz
- ◆ Operation Temperature: -55 ~ +150°C
- ◆ Temperature Coefficient: ±150ppm/°C
- ◆ RoHS Compliant
- ◆ \*Custom Designs Available

## *Termination – Chip (TCHB series)*

### Explanation to P/N



## Terminations

### Chip

Figure 1

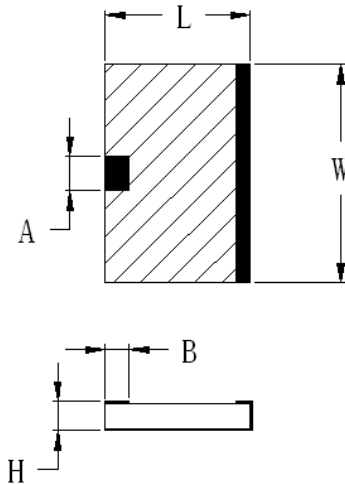
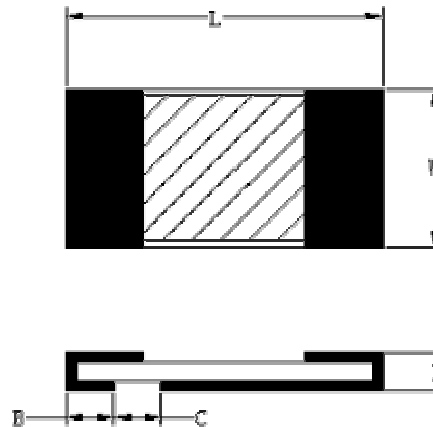


Figure 2



P/N	Power (W)	Frequency (GHz)	VSWR max	Size(mm)					
				W	L	H	A	B	C
TCHB50-5CT	5	DC-3	1.20	1.27	2.54	1	1.1	1.5	N/A
TCHB50-10CT	10	DC-6	1.20	5	2.5	1	1.1	1.5	N/A
TCHB50-20CT	20	DC-18	1.35	5	2.5	1	1.1	1.5	N/A
TCHB50-20CTA	20	DC-4	1.20	2.5	5	1	1.1	1.5	1.5
TCHB50-20CTB	20	DC-3	1.20	3	4	1	1.1	1.5	N/A
TCHB50-20CTC	20	DC-3	1.20	4	3	1	1.1	1.5	N/A
TCHB50-20CTD	20	DC-3	1.20	4	4	1	1.4	1.5	N/A
TCHB50-40CT	40	DC-6	1.20	6	6	1	1.4	1.5	1.5
TCHB50-60CT	60	DC-3	1.20	6	6	1	1.4	1.5	1.5
TCHB50-100CT	100	DC-3	1.20	9	6	1	1.4	1.5	1.5
TCHB50-150CT	150	DC-3	1.20	6.35	9.5	1	1.4	1.5	1.5
TCHB50-150CTA	150	DC-2	1.20	9.5	9.5	1	1.4	1.5	1.5
TCHB50-250CT	250	DC-1	1.20	10	10	1	2.6	1.5	1.5