

Reflective Optical Sensor with PIN Photodiode Output

Description

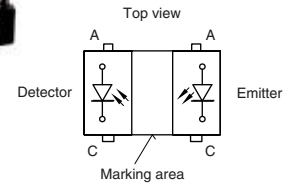
The TCND5000 is a reflective sensor that includes an infrared emitter and PIN photodiode in a surface mount package which blocks visible light.

Features

- Package type: Surface mount
- Detector type: PIN Photodiode
- Dimensions:
L 6 mm x W 4.3 mm x H 3.75 mm
- Peak operating distance: 6 mm
- Peak operating range: 2 mm to 25 mm
- Typical output current under test: $I_{ra} > 0.11 \mu A$
- Daylight blocking filter
- High linearity
- Emitter wavelength 940 nm
- Lead (Pb)-free soldering released
- Lead (Pb)-free component in accordance to RoHS 2002/95/EC and WEEE 2002/96/EC
- Minimum order quantity 2000 pcs, 2000 pcs/reel



19967



Applications

- Proximity sensor
- Object sensor
- Motion sensor
- Touch key

Absolute Maximum Ratings

$T_{amb} = 25 \text{ }^\circ\text{C}$, unless otherwise specified

Input (Emitter)

Parameter	Test condition	Symbol	Value	Unit
Reverse Voltage		V_R	5	V
Forward current		I_F	100	mA
Peak Forward Current	$t_p = 50 \mu s, T = 2 \text{ ms}, T_{amb} = 25 \text{ }^\circ\text{C}$	I_{FM}	500	mA
Power Dissipation		P_V	190	mW
Junction Temperature		T_j	100	$^\circ\text{C}$

Output (Detector)

Parameter	Test condition	Symbol	Value	Unit
Reverse Voltage		V_R	60	V
Power Dissipation		P_V	75	mW
Junction Temperature		T_j	100	$^\circ\text{C}$

Sensor

Parameter	Test condition	Symbol	Value	Unit
Operating Temperature Range		T_{amb}	- 40 to + 85	°C
Storage Temperature Range		T_{stg}	- 40 to + 100	°C
Soldering Temperature	acc. fig. 14	T_{sd}	260	°C

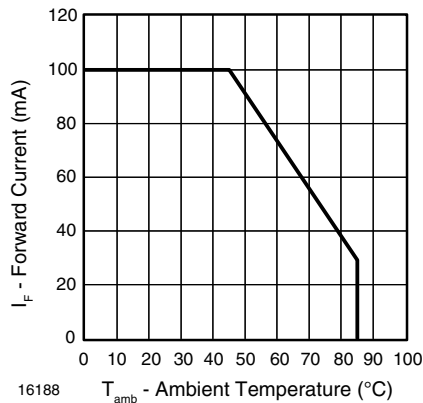


Figure 1. Forward Current Limit vs. Ambient Temperature

Electrical Characteristics

$T_{amb} = 25\text{ °C}$, unless otherwise specified

Input (Emitter)

Parameter	Test condition	Symbol	Min	Typ.	Max	Unit
Forward Voltage	$I_F = 20\text{ mA}$, $t_p = 20\text{ ms}$	V_F		1.2	1.5	V
Temp. Coefficient of V_F	$I_F = 1\text{ mA}$	TK_{V_F}		- 1.3		mV/K
Reverse Current	$V_R = 5\text{ V}$	I_R			10	μA
Junction Capacitance	$V_R = 0\text{ V}$, $f = 1\text{ MHz}$, $E = 0$	C_j		25		pF
Radiant Intensity	$I_F = 20\text{ mA}$, $t_p = 20\text{ ms}$	I_e		7	75	mW/sr
Angle of Half Intensity		ϕ		± 12		deg
Peak Wavelength	$I_F = 100\text{ mA}$	λ_p	930	940		nm
Spectral Bandwidth	$I_F = 100\text{ mA}$	$\Delta\lambda$		50		nm
Temp. Coefficient of λ_p	$I_F = 100\text{ mA}$	$TK\lambda_p$		0.2		nm/K
Rise Time	$I_F = 100\text{ mA}$	t_r		800		ns
Fall Time	$I_F = 100\text{ mA}$	t_f		800		ns
Virtual Source Diameter	Method: 63 % encircled energy	\emptyset		1.2		mm

see figures 2 to 8 accordingly

Output (Detector)

Parameter	Test condition	Symbol	Min	Typ.	Max	Unit
Forward Voltage	$I_F = 50 \text{ mA}$	V_F		1.0	1.3	V
Breakdown Voltage	$I_R = 100 \text{ }\mu\text{A}$	V_{BR}	60			V
Reverse Dark Current	$V_R = 10 \text{ V}, E = 0$	I_{ro}		1	10	nA
Diode capacitance	$V_R = 5 \text{ V}, f = 1 \text{ MHz}, E = 0$	C_D		1.8		pF
Reverse Light Current	$E_e = 1 \text{ mW/cm}^2$ $\lambda = 950 \text{ nm}, V_R = 5 \text{ V}$	I_{ra}		12		μA
Temp. Coefficient of I_{ra}	$V_R = 5 \text{ V}, \lambda = 870 \text{ nm}$	TK_{ira}		0.2		%/K
Angle of Half Intensity		ϕ		± 15		deg
Wavelength of Peak Sensitivity		λ_p		930		nm
Range of Spectral Bandwidth		$\lambda_{0.5}$		840 to 1050		nm

see figures 9 to 12 accordingly

Sensor

$T_{amb} = 25 \text{ }^\circ\text{C}$, unless otherwise specified

Parameter	Test condition	Symbol	Min	Typ.	Max	Unit
Reverse Light Current	$V_R = 2.5 \text{ V}, I_F = 20 \text{ mA}$ $D = 30 \text{ mm}$ reflective mode: see figure 2	I_{ra}	110			nA

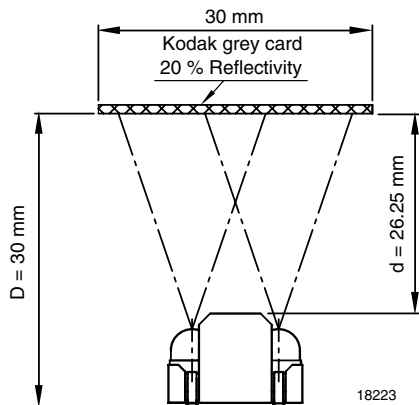


Figure 2. Test Circuit

Typical Characteristics

$T_{amb} = 25\text{ }^{\circ}\text{C}$, unless otherwise specified

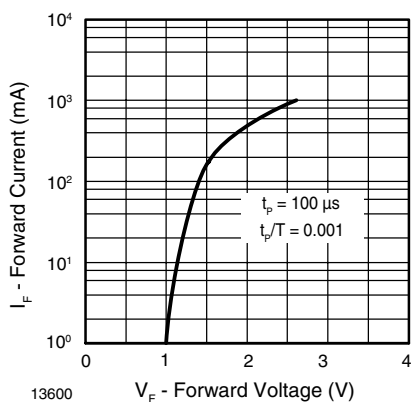


Figure 3. Forward Current vs. Forward Voltage

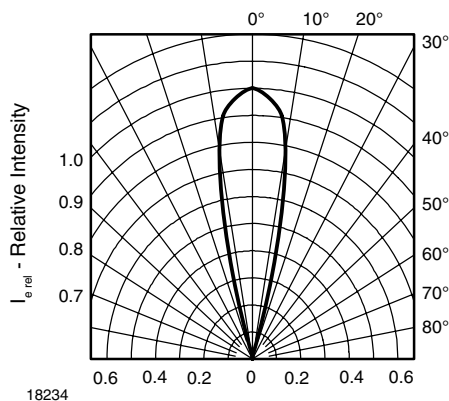


Figure 6. Relative Radiant Intensity vs. Angular Displacement

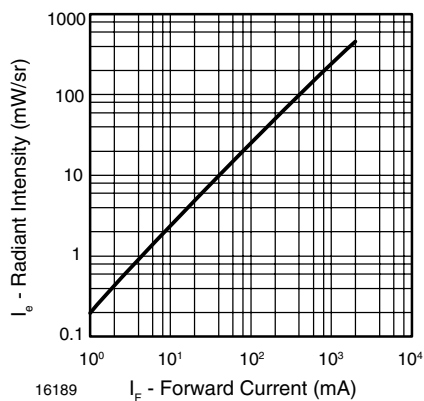


Figure 4. Radiant Intensity vs. Forward Current

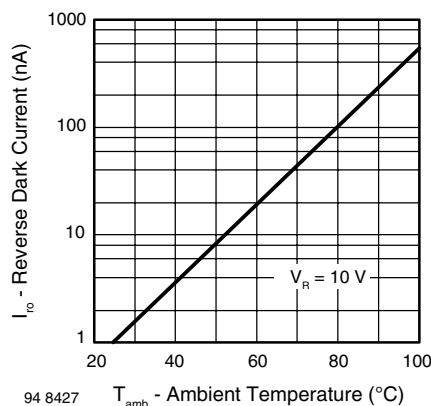


Figure 7. Reverse Dark Current vs. Ambient Temperature

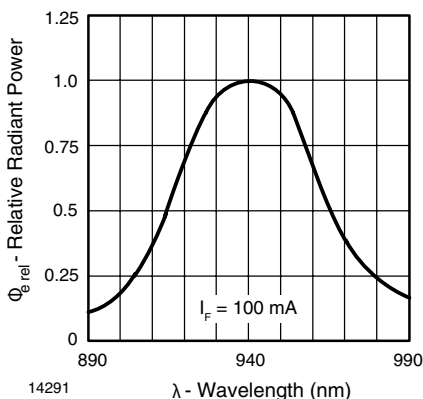


Figure 5. Relative Radiant Power vs. Wavelength

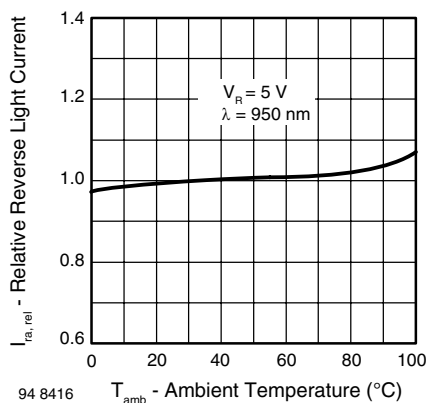


Figure 8. Relative Reverse Light Current vs. Ambient Temperature

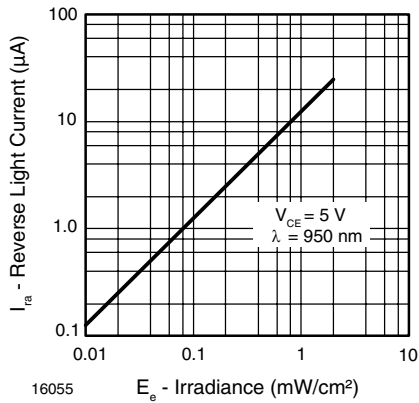


Figure 9. Reverse Light Current vs. Irradiance

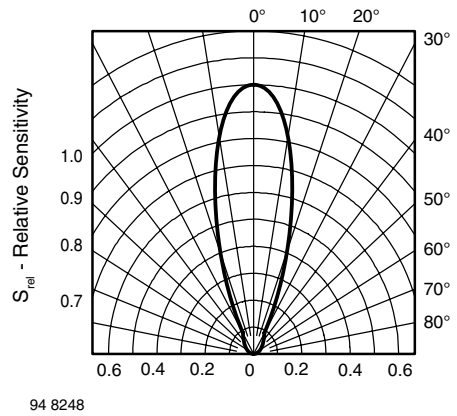


Figure 12. Relative Radiant Sensitivity vs. Angular Displacement

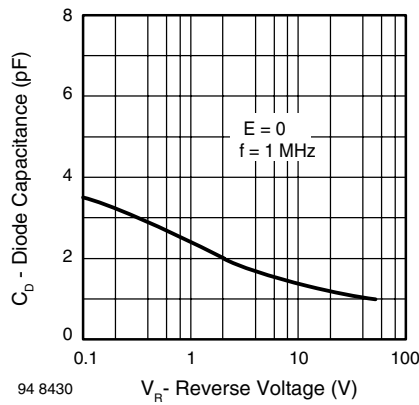


Figure 10. Diode Capacitance vs. Reverse Voltage

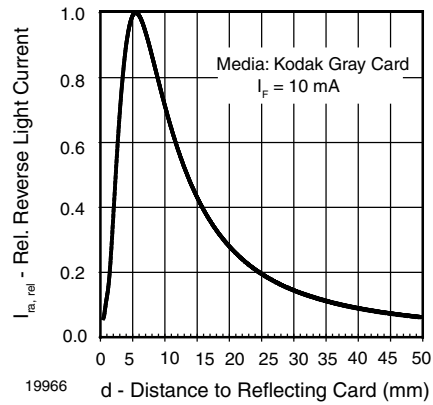


Figure 13. Relative Reverse Light Current vs. Distance

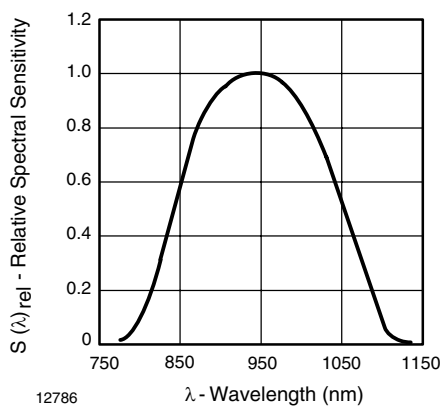
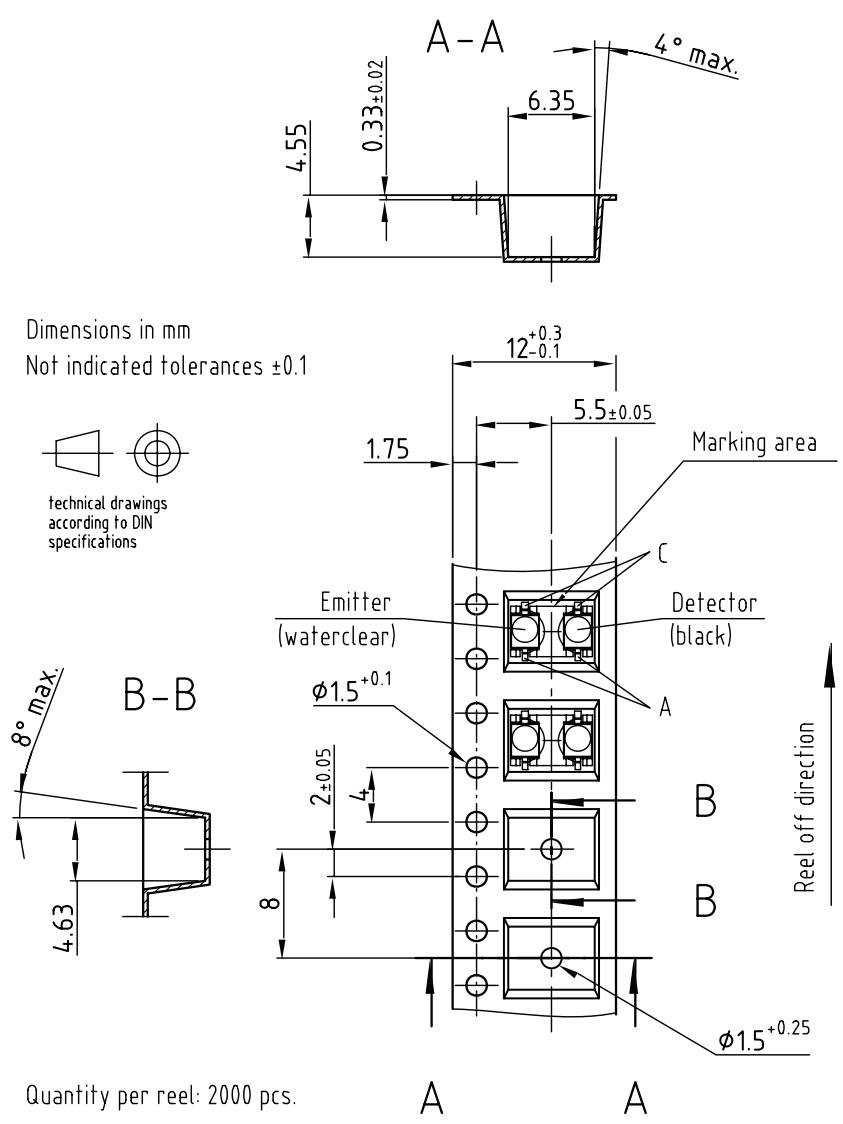
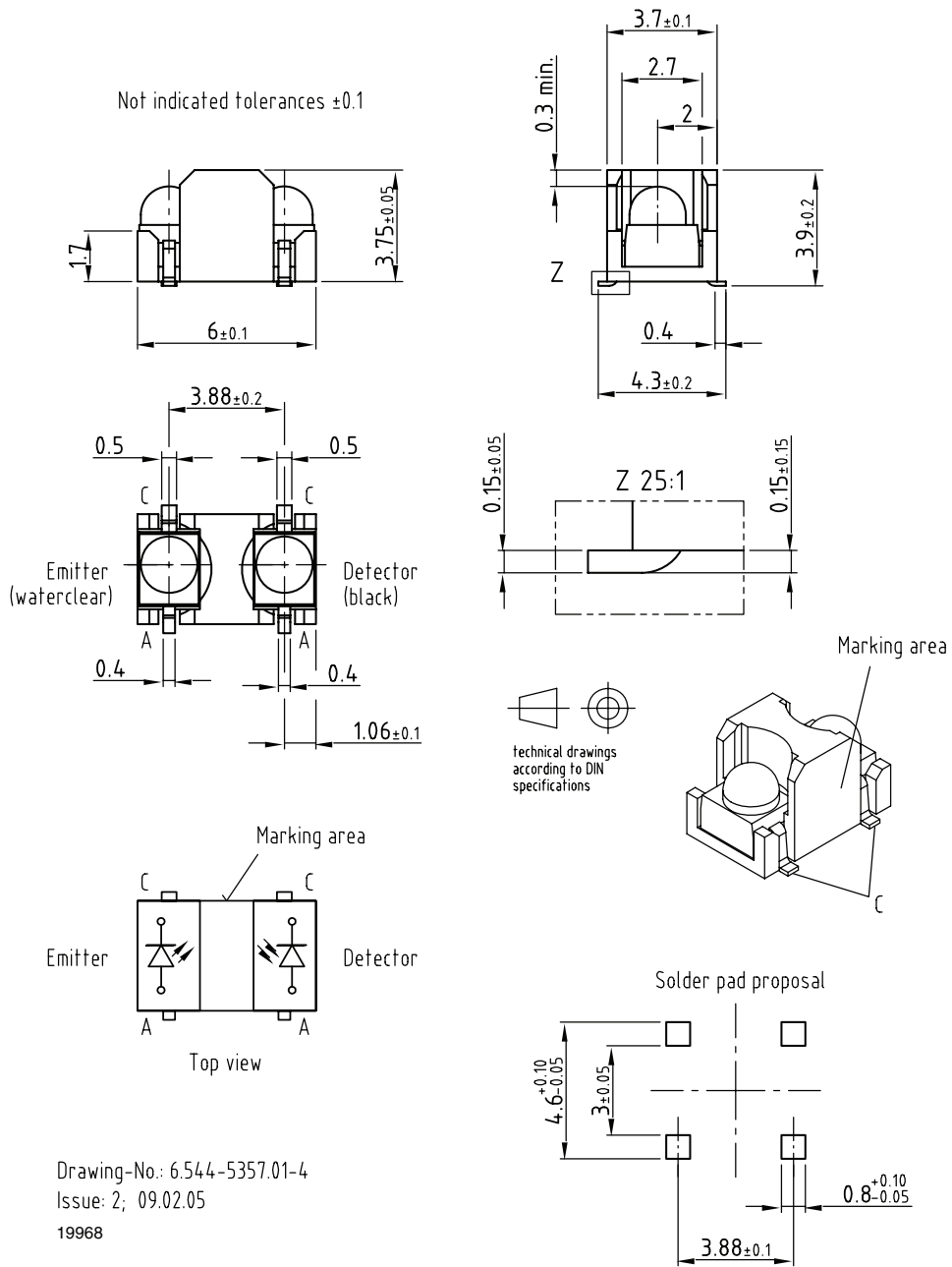


Figure 11. Relative Spectral Sensitivity vs. Wavelength

Taping



Package Dimensions in mm



Drawing-No: 6.544-5357.01-4
 Issue: 2; 09.02.05
 19968

Precautions For Use

1. Over-current-proof

Customer must apply resistors for protection, otherwise slight voltage shift will cause big current change (Burn out will happen).

2. Storage

2.1 Storage temperature and rel. humidity conditions are: 5 °C to 30 °C, R.H. 60 %

2.2 Floor life must not exceed 72 h, acc. to JEDEC level 4, J-STD-020.

Once the package is opened, the products should be used within 72 h. Otherwise, they should be kept in a damp proof box with desiccant.

Considering tape life, we suggest to use products within one year from production date.

2.3 If opened more than 72 h in an atmosphere 5 °C to 30 °C, R.H. 60 %, devices should be treated at 60 °C ± 5 °C for 15 hrs.

2.4 If humidity indicator in the package shows pink color (normal blue), then devices should be treated with the same conditions as 2.3

Reflow Solder Profiles

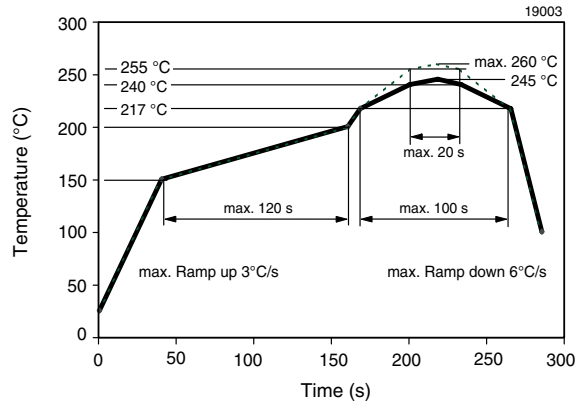


Figure 14. Lead (Pb)-Free Reflow Solder Profile

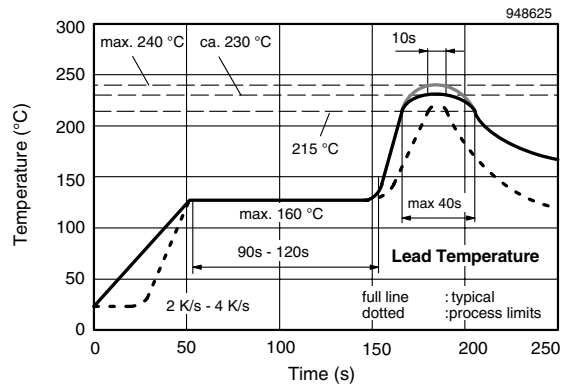


Figure 15. Lead Tin (SnPb) Reflow Solder Profile



Ozone Depleting Substances Policy Statement

It is the policy of Vishay Semiconductor GmbH to

1. Meet all present and future national and international statutory requirements.
2. Regularly and continuously improve the performance of our products, processes, distribution and operating systems with respect to their impact on the health and safety of our employees and the public, as well as their impact on the environment.

It is particular concern to control or eliminate releases of those substances into the atmosphere which are known as ozone depleting substances (ODSs).

The Montreal Protocol (1987) and its London Amendments (1990) intend to severely restrict the use of ODSs and forbid their use within the next ten years. Various national and international initiatives are pressing for an earlier ban on these substances.

Vishay Semiconductor GmbH has been able to use its policy of continuous improvements to eliminate the use of ODSs listed in the following documents.

1. Annex A, B and list of transitional substances of the Montreal Protocol and the London Amendments respectively
2. Class I and II ozone depleting substances in the Clean Air Act Amendments of 1990 by the Environmental Protection Agency (EPA) in the USA
3. Council Decision 88/540/EEC and 91/690/EEC Annex A, B and C (transitional substances) respectively.

Vishay Semiconductor GmbH can certify that our semiconductors are not manufactured with ozone depleting substances and do not contain such substances.

We reserve the right to make changes to improve technical design
and may do so without further notice.

Parameters can vary in different applications. All operating parameters must be validated for each customer application by the customer. Should the buyer use Vishay Semiconductors products for any unintended or unauthorized application, the buyer shall indemnify Vishay Semiconductors against all claims, costs, damages, and expenses, arising out of, directly or indirectly, any claim of personal damage, injury or death associated with such unintended or unauthorized use.

Vishay Semiconductor GmbH, P.O.B. 3535, D-74025 Heilbronn, Germany



Notice

Specifications of the products displayed herein are subject to change without notice. Vishay Intertechnology, Inc., or anyone on its behalf, assumes no responsibility or liability for any errors or inaccuracies.

Information contained herein is intended to provide a product description only. No license, express or implied, by estoppel or otherwise, to any intellectual property rights is granted by this document. Except as provided in Vishay's terms and conditions of sale for such products, Vishay assumes no liability whatsoever, and disclaims any express or implied warranty, relating to sale and/or use of Vishay products including liability or warranties relating to fitness for a particular purpose, merchantability, or infringement of any patent, copyright, or other intellectual property right.

The products shown herein are not designed for use in medical, life-saving, or life-sustaining applications. Customers using or selling these products for use in such applications do so at their own risk and agree to fully indemnify Vishay for any damages resulting from such improper use or sale.