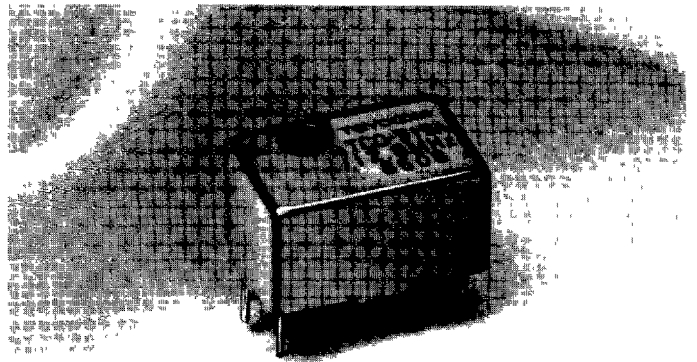


Applications

- Portable radio
- Cellular mobile radio

Features

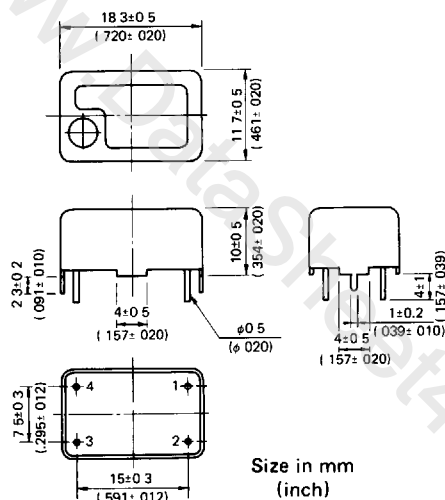
- Low power consumption (2 mA max.)
- High frequency stability
- With modulation or voltage control function
- Miniature size (2cc)



Model	TCO-919A	TCO-919R
Standard frequency	12.8 MHz	
Frequency stability		
vs. Temperature	±2.5 ppm/−30 to +75° C	
vs. Supply voltage	±0.3 ppm/+5V ± 5%	
Aging	±1 ppm/year	
Supply voltage	+5V ± 5%	
Supply current	2 mA max.	
Output	1 Vp-p min. clipped sinewave (DC-cut)	
Operable temperature range	−35 to +80° C	
Frequency adjustment	±3 ppm min. by internal trimmer	
Audio modulation & Vcont function	Audio modulation Deviation : ±8 ppm min. Distortion : 3% max. Input voltage : 2 Vp-p Modulation range : 1 Hz to 3 kHz Response slope : Negative	Vcont for PLL Frequency control range : ±5 ppm min. Control voltage : +2.5 ± 2V Response slope : Positive

Outline drawing

TCO-919A, R



Pin connections

1	Common and case
2	Output
3	+VCC
4	Control voltage

Test circuit

