

▶ Product Introduction

Radial High Rated Current Chokes with open magnetic circuit construction design makes better TCR.

Features :

- Open magnetic circuit construction
- Low cost and high reliability

Applications :

- Video Camera, Video Tape Recorder,
- Notebook, Inkjet Printer, Copying Machine,
- Display Monitor, Cellular Phone, ADSL Modem,
- Microwave Oven, Lighting and Car Electronics.

Token TCRB series structure with open magnetic circuit construction design and protect by UL or PVC Heat-shrinkable tube. The TCRB features with small size, space savings, low cost, wide inductance range, high Q value, high availability of a large induced current, high self-resonance frequency, small magnetic flux leakage and so on.

Choke coils, also known as: Choke, differential mode inductors, is used to limit the alternating current through the coil, high-frequency and low frequency choke coils.

The TCRB is ideal for broadband modems, game consoles, lighting equipment, notebook computers, inkjet printers, photocopying machines, color TV, VCR, camera, microwave ovens, display monitors, mobile phones, automotive electronics products.

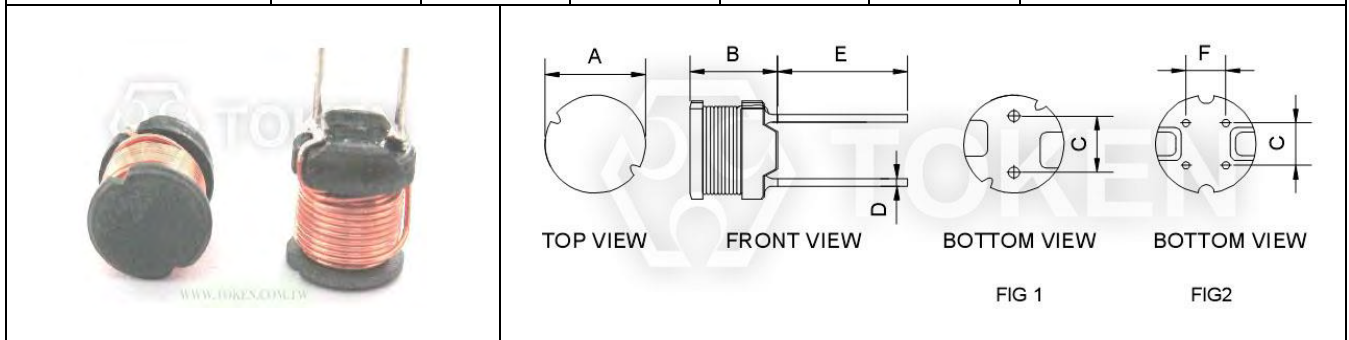
Token will also produce devices outside these specifications to meet specific customer requirements, please contact our sales or link to Token official website "[Through Hole Inductors](#)" for more information.



► Configurations & Dimensions

Configurations & Dimensions (Unit: mm) (TCRB)

Part NO	A±1.0	B±1.0	C	D(Ref)	E(Ref)	F(Ref)
TCRB0605	6.0	5.5	4.0	0.5	15	FIG1
TCRB0606	6.0	6.5	4.0	0.5	15	FIG1
TCRB0805	7.8	6.0	5.0	0.6	15	FIG1
TCRB0807	7.8	7.5	5.0	0.6	15	FIG1
TCRB0809	7.8	9.5	5.0	0.6	15	FIG1
TCRB1006	10	6.5	5.0	0.65	15	FIG2(4.0±0.5)
TCRB1008	10	8.5	5.0	0.65	15	FIG2(4.0±0.5)
TCRB1010	10	10.5	5.0	0.65	15	FIG2(4.0±0.5)
TCRB1014	10	14.5	5.0	0.65	15	FIG1



● Note: Design as Customer's Requested Specifications.

TCRB 0*

Electrical Characteristics (TCRB 0*)

MARKING	Inductance (μ H)	TCRB0605		TCRB0606		TCRB0805		TCRB0807		TCRB0809	
		DCR(Ω) Max	IDC (A)	DCR(Ω) Max	IDC (A)	DCR(Ω) Max	IDC (A)	DCR(Ω) Max	IDC (A)	DCR(Ω) Max	IDC (A)
100	10					0.07	2.5	0.05	2.9	0.04	2.6
120	12					0.08	2.4	0.06	2.5	0.04	2.6
150	15					0.09	2.1	0.07	2.2	0.05	2.1
180	18					0.10	2.0	0.08	1.9	0.05	2.0
220	22	0.18	0.90	0.11	1.27	0.12	1.7	0.09	1.8	0.06	1.7
270	27	0.21	0.81	0.14	1.14	0.14	1.6	0.11	1.7	0.06	1.6
330	33	0.27	0.74	0.17	1.03	0.17	1.4	0.13	1.5	0.07	1.4
390	39	0.29	0.68	0.19	0.95	0.21	1.3	0.14	1.3	0.08	1.4
470	47	0.34	0.62	0.23	0.87	0.24	1.2	0.15	1.3	0.1	1.3
560	56	0.42	0.57	0.26	0.80	0.31	1.1	0.18	1.2	0.11	1.2
680	68	0.48	0.51	0.28	0.72	0.34	1.0	0.2	1.1	0.14	1.1
820	82	0.55	0.47	0.39	0.66	0.4	0.93	0.24	1.0	0.16	1.0
101	100	0.68	0.42	0.43	0.59	0.52	0.81	0.28	0.89	0.19	0.9
121	120	0.77	0.39	0.54	0.54	0.59	0.76	0.36	0.81	0.22	0.82
151	150	0.95	0.35	0.64	0.48	0.71	0.67	0.42	0.72	0.27	0.74
181	180	1.15	0.32	0.74	0.44	0.89	0.62	0.57	0.66	0.31	0.71
221	220	1.30	0.29	0.96	0.40	1.04	0.54	0.63	0.57	0.38	0.64
271	270	1.55	0.26	1.12	0.36	1.28	0.49	0.88	0.51	0.53	0.57
331	330	2.18	0.23	1.48	0.33	1.47	0.44	1.05	0.46	0.61	0.51
391	390	2.47	0.21	1.66	0.30	1.67	0.41	1.17	0.44	0.69	0.48
471	470	2.92	0.20	1.91	0.27	1.95	0.38	1.34	0.41	0.89	0.43
561	560	3.97	0.18	2.31	0.25	2.83	0.35	1.72	0.36	1.01	0.40
681	680	4057	0.16	2.67	0.23	3.25	0.32	1.96	0.33	1.18	0.35
821	820	5.28	0.15	3.10	0.21	3.82	0.31	2.56	0.3	1.57	0.32
102	1000					5.28	0.25	2.94	0.27	1.84	0.30
122	1200					6.03	0.23	4.04	0.24	2.10	0.27
152	1500					7.15	0.21	4.70	0.22	2.80	0.23
182	1800					8.26	0.20	5.05	0.20	3.21	0.21
222	2200					11.1	0.18	6.25	0.18	4.21	0.19
272	2700					13.1	0.16	8.72	0.16	4.94	0.17
332	3300					15.9	0.14	10.6	0.15	6.16	0.15
392	3900					18.0	0.13	14.2	0.14	6.84	0.14
472	4700					32.9	0.12	16.7	0.12	7.89	0.13
562	5600					26.8	0.11	18.7	0.11	11.5	0.12
682	6800					31.7	0.098	21.8	0.10	13.2	0.11
822	8200					46.5	0.088	28.7	0.093	15.3	0.10
103	10000					55.7	0.081	33.0	0.084	22.0	0.089
123	12000									25.0	0.073
153	15000									29.1	0.068
183	18000									38.9	0.066
223	22000									44.9	0.059
273	27000									55.7	0.052
333	33000									64.2	0.048
393	39000									74.2	0.042
473	47000									96.4	0.038

Note:

- Test Freq.: 1KHz / 0.25V.
- Operating Temp.: -40°C ~ +85°C.
- Inductance drop = 10% typ. at IDC.



▶ TCRB 10*

Electrical Characteristics (TCRB 10*)

STAMP	Inductance (μ H)	TCRB1006		TCRB1008		TCRB1010		TCRB1014	
		DCR(Ω) Max	IDC (A)	DCR(Ω) Max	IDC (A)	DCR(Ω) Max	IDC (A)	DCR(Ω) Max	IDC (A)
100	10	0.04	3.6	0.027	4.5	0.022	5.3	0.033	4.0
150	15	0.058	2.9	0.036	3.7	0.026	4.4	0.039	3.7
180	18	0.064	2.7	0.049	3.4	0.033	4.0	0.047	3.5
220	22	0.088	2.4	0.055	3.1	0.037	3.6	0.051	3.3
270	27	0.10	2.2	0.062	2.8	0.048	3.3	0.057	3.1
330	33	0.11	2.0	0.079	2.5	0.055	2.9	0.064	2.9
390	39	0.14	1.8	0.087	2.3	0.073	2.7	0.074	2.7
470	47	0.16	1.7	0.099	2.1	0.083	2.5	0.083	2.5
680	68	0.22	1.4	0.14	1.7	0.12	2.1	0.117	2.1
820	82	0.29	1.3	0.16	1.6	0.14	1.9	0.130	1.9
101	100	0.32	1.3	0.21	1.4	0.16	1.7	0.143	1.7
151	150	0.50	1.0	0.32	1.2	0.23	1.4	0.221	1.4
181	180	0.56	0.84	0.35	1.1	0.31	1.3	0.26	1.3
221	220	0.78	0.76	0.45	0.96	0.34	1.1	0.35	1.2
331	330	1.10	0.62	0.69	0.79	0.52	0.93	0.52	1.0
391	390	1.30	0.57	0.78	0.72	0.65	0.86	0.57	0.92
471	470	1.50	0.52	1.0	0.66	0.71	0.78	0.65	0.84
561	560	1.90	0.48	1.2	0.60	1.0	0.71	0.79	0.75
681	680	2.20	0.43	1.4	0.55	1.1	0.65	0.96	0.69
821	820	2.60	0.40	1.8	0.50	1.3	0.59	1.22	0.62

Note:

- Test Freq.: 1KHz / 0.25V.
- Operating Temp.: -40°C ~ +85°C.
- Inductance drop = 10% typ. at IDC.



Order Codes

Order Codes (TCRB)

TCRB	UL		0605		-	220		M	
Part Number	TUBE		Size			Inductance		Tolerance	
TCRB	V	UL	0605	6.0×5.5mm		1R0	1.00μH	J	5%
	P	PVC	0606	6.0×6.5mm		100	10.00μH	K	10%
	NONE	NO TUBE	0805	7.8×6.0mm		101	100.00μH	L	15%
			0807	7.8×7.5mm		102	1000.00μH	M	20%
			0809	7.8×9.5mm				N	30%
								Y	min

► General Information

Leading-Edge Technology

Token Electronics brand passive component specializes in standard and custom solutions offering the latest in state-of-the-art low profile high power density inductor components. Token provides cost-effective, comprehensive solutions that meet the evolving needs of technology-driven markets. In working closely with the industry leaders in chipset and core development, we remain at the forefront of innovation and new technology to deliver the optimal mix of packaging, high efficiency and unbeatable reliability. Our designs utilize high frequency, low core loss materials, new and custom core shapes in combination with innovative construction and packaging to provide designers with the highest performance parts available on the market.

Find Inductor Solutions Faster

Find Your Inductor - wt.moc.nekot@qfr

Only timely and accurate information can help manage the changing needs of your customers. The Token Inductor Finder puts you only a click away from all of the inductor information you need.

Find Your Solution - wt.moc.nekot@qfr

Selecting the correct inductor solution will not only save you time, but it will give you a competitive edge. At Token, we are committed to helping you find the most efficient alternative for your power design. Our inductor and power supply design experts can help you make that selection.

Please forward us:

- A brief description of your particular application's requirements.
- Details of an existing solution that you'd like to replace, enhance or find an alternative.
- Inquiries for feasibility to tailor a power transformer or inductor to your specific application.

We can also help you with any additional technical information you might need relating to any of our products.

Ask Us Today