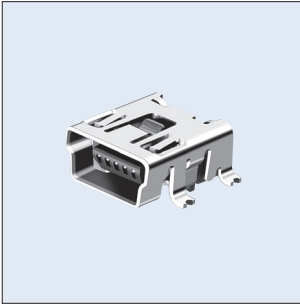
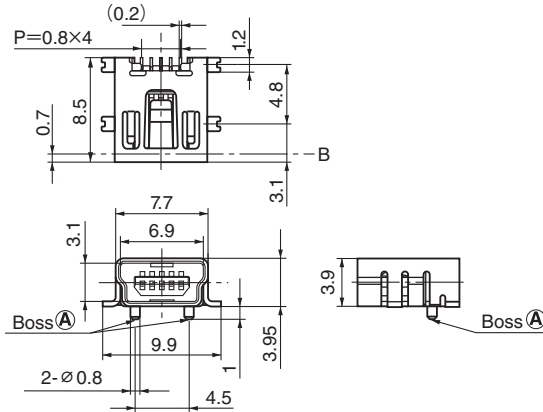


TCS0101

Mini-B Receptacle

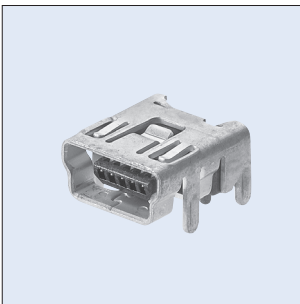


**TCS0101-110177
SMT Type**

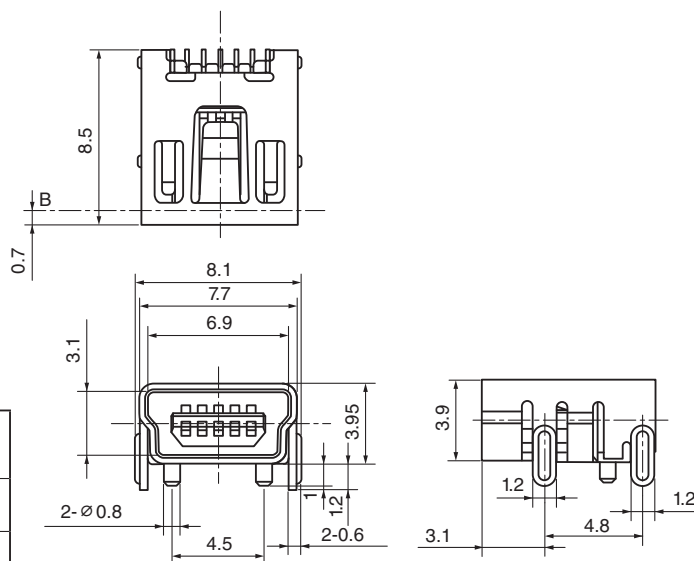


Rated	1A 30V AC max. or 0.5A 5.25 DC max.
Contact Resistance	50mΩ max.
Insulation Resistance	100MΩ min. at 500V DC
Withstanding Voltage	100V AC for 1 minute
Insertion & Withdrawal force	Insertion 35N max. Withdrawal 7N min.

BOSS \textcircled{A}	Model No.
With	TCS0101-110177
Without	TCS0101-310177



**TCS0101-41
DIP Type**



Rated	1A 30V AC max. or 0.5A 5.25 DC max.
Contact Resistance	50mΩ max.
Insulation Resistance	100MΩ min. at 500V DC
Withstanding Voltage	100V AC for 1 minute
Insertion & Withdrawal force	Insertion 35N max. Withdrawal 7N min.