


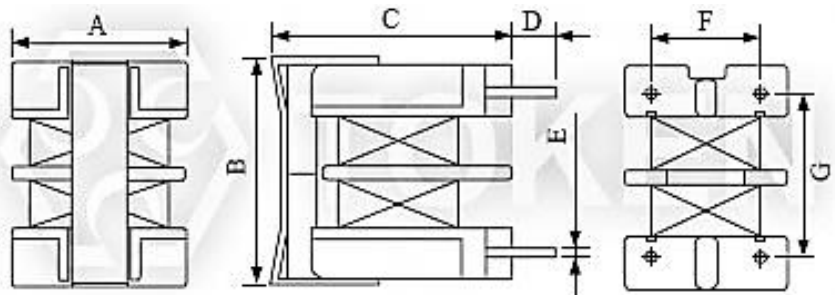
TCUU10

Configurations & Dimensions (Unit: mm) (TCUU10)

Type	A (max)	B (max)	C (max)	D	E	F	G
TCUU10	17.0	18.5	23.0	4.0	Φ0.7	10.0	13.0



(TCUU10) Image View



(TCUU10) Configurations & Dimensions

● Note: Design as Customer's Requested Specifications.

Electrical Characteristics (TCUU10) at 25°C

Part Number	Inductance (mH)(min)	Inductance Balance (μH)(max)	DCR (Ω)(max)	IDC (A)(max)
TCUU10-332	3.3	100	0.71	0.65
TCUU10-682	6.8	200	1.26	0.435
TCUU10-123	12.0	360	2.20	0.34
TCUU10-223	22.0	440	3.64	0.25
TCUU10-333	33.0	660	5.74	0.20
TCUU10-513	51.0	1000	9.12	0.15

Note:

- Test Freq.: 1.0kHz
- Allowable Current: D.C. Current When Temperature of Coil Increased up to 40°C. (Ta=25°C)