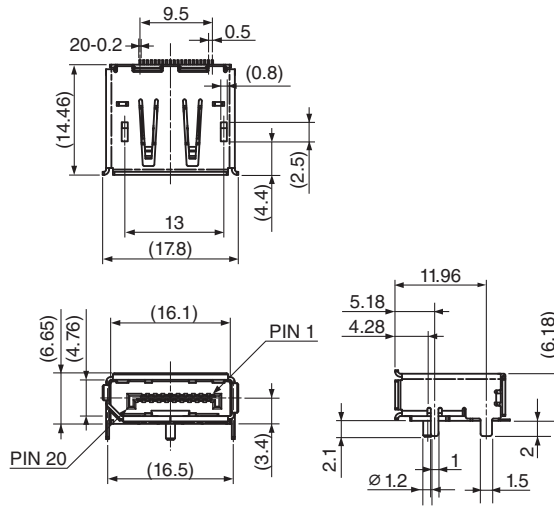


**TCX3250**

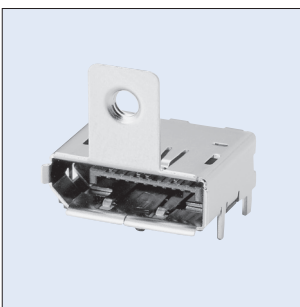
**Standard Type Receptacle**



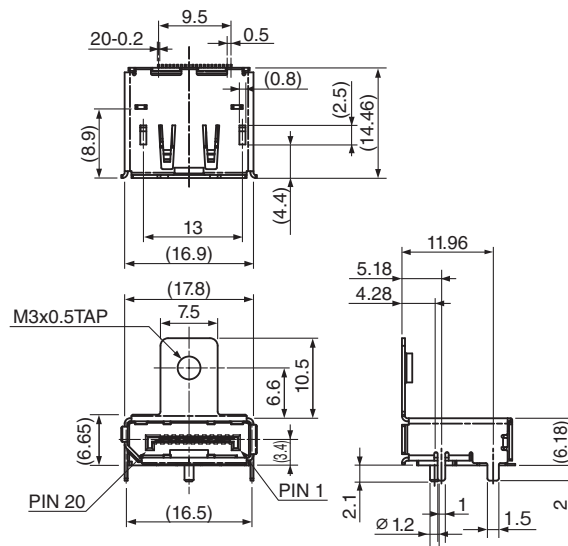
**TCX3250-01**



Rated	0.5A 40V AC max.
Contact Resistance	30mΩ max.
Insulation Resistance	100MΩ min. at 500V DC
Withstanding Voltage	500V AC for 1 minute
Differential Impedance	100Ω ± 10Ω (Tr=130ps(20%-80%))



**TCX3250-11**



Rated	0.5A 40V AC max.
Contact Resistance	30mΩ max.
Insulation Resistance	100MΩ min. at 500V DC
Withstanding Voltage	500V AC for 1 minute
Differential Impedance	100Ω ± 10Ω (Tr=130ps(20%-80%))