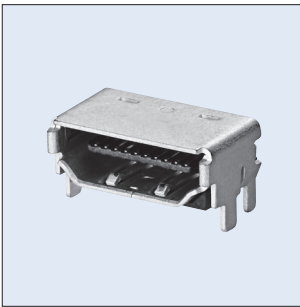
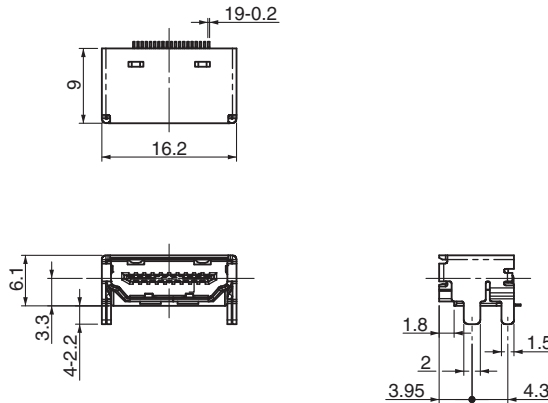


TCX3253

Type A Receptacle



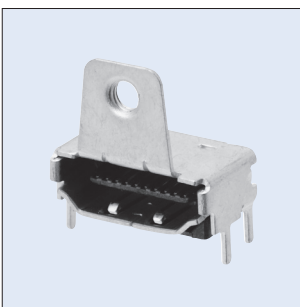
TCX3253-611187



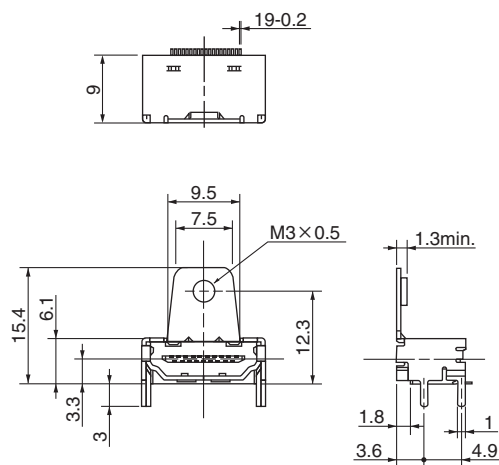
Rated	0.5A 40V AC max.
Contact Resistance	30mΩ Max.
Insulation Resistance	100MΩ min. at 500V DC
Withstanding Voltage	500V AC for 1 minute
Characteristic Impedance	100Ω ± 15%
Terminal pitch	0.5mm

TCX3285

Type A Receptacle



TCX3285-711387



Rated	0.5A 40V AC max.
Contact Resistance	30mΩ Max.
Insulation Resistance	100MΩ min. at 500V DC
Withstanding Voltage	500V AC for 1 minute
Characteristic Impedance	100Ω ± 15%
Terminal pitch	0.5mm