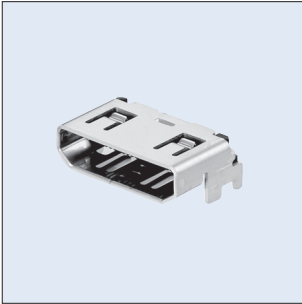
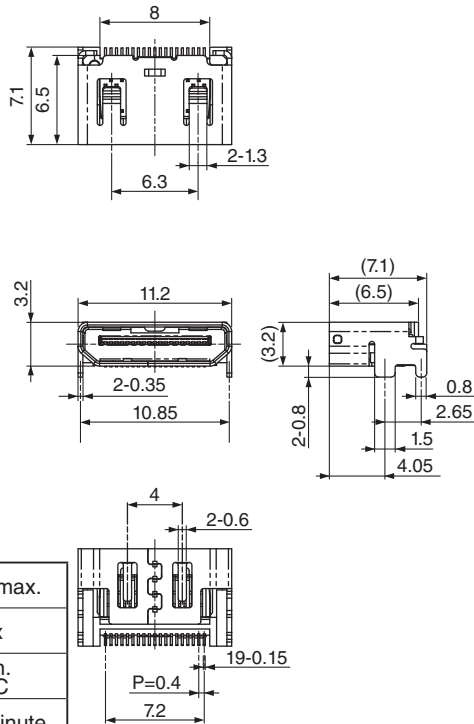


TCX3278

Type C Receptacle



TCX3278-310187



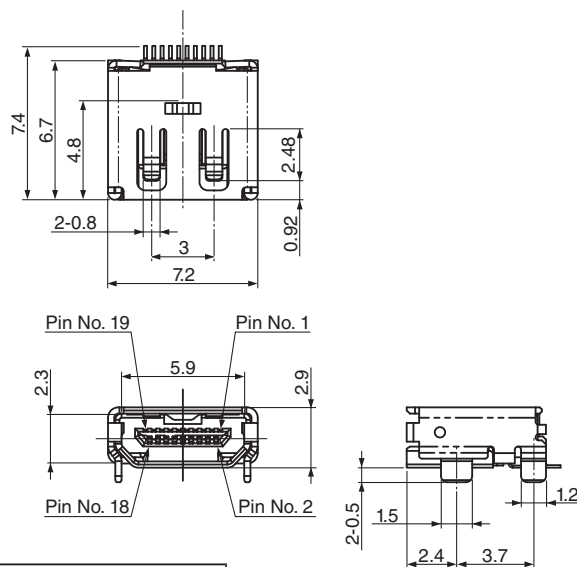
Rated	0.5A 40V AC max.
Contact Resistance	10mΩ max
Insulation Resistance	100MΩ min. at 500V DC
Withstanding Voltage	500V AC / 1 minute
Mating and Unmating Cycle	5,000 cycles

TCX3290

Type D Receptacle



TCX3290-211187



Rated	0.3A 40V AC max.
Contact Resistance	10mΩ max.
Insulation Resistance	100MΩ min. at 500V DC
Withstanding Voltage	250V AC / 1 minute
Mating and Unmating Cycle	5,000 cycles