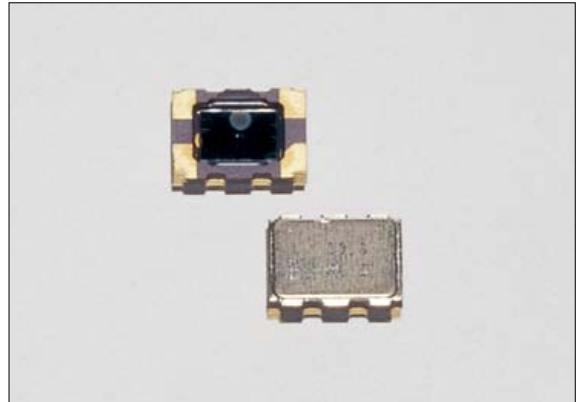


## (VC-)TCXO-214C

### Temperature Compensation Crystal Oscillator

#### Features

- VC-TCXO for Personal Cellular Phone.
- Because it is leadless type, automatic mounting is possible.
- Ultra small size. (3.2×2.5×1.05mm) Microscopic size
- Reflow Soldering.
- Low power consumption.



Original Size

#### Specifications

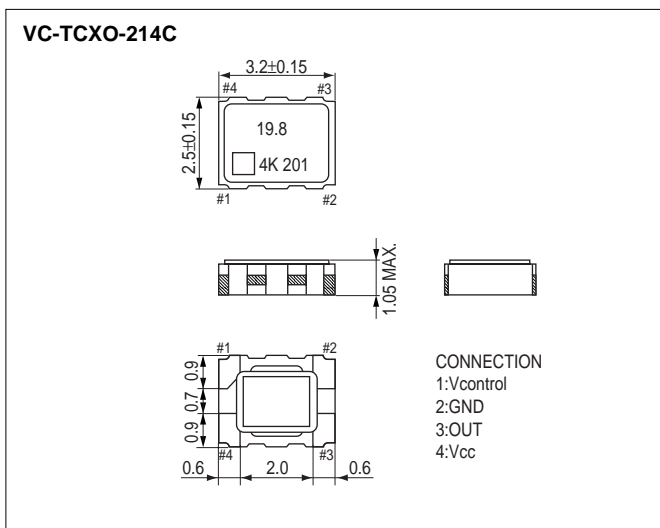
Item	Type	VC-TCXO-214C	
Supply Voltage		+3.0V±5%(2.5V MIN.)	
Frequency Range		13~15MHz	15~30MHz
Standard Frequency		13.0, 14.4MHz	16, 16.8, 19.2, 19.68, 19.8, 26MHz
Load		10kΩ/10pF	
Frequency Stability		±2.0×10 <sup>-6</sup> /-30~+80°C ※1	
Frequency Deviation		±8~±12×10 <sup>-6</sup> /1.5V±1V ※2	
Output Level		0.8V <sub>p-p</sub> MIN.	
Output Symmetry		40~60%	
Start-up Time		2.5ms MAX.	2.0ms MAX.
Current		1.0mA MAX.	1.5mA MAX.
Capacity/Weight		0.008cc, 0.025g	

※1 Please consult about the deviation to frequency.

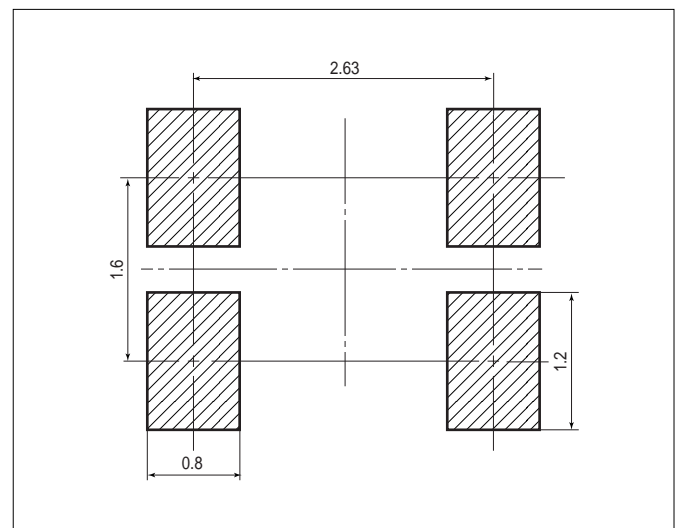
※2 The frequency control characteristic has indicated typical specification. Please consult separately.

In addition, please consult separately about each specification.

#### Outline



#### Land Pattern(reference)



Dimensions(mm)