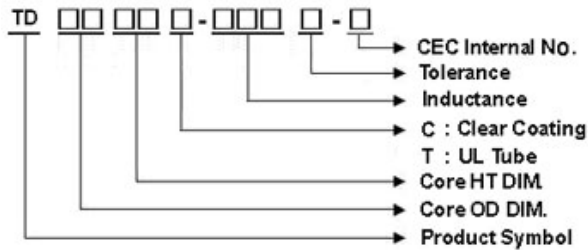


TD Series

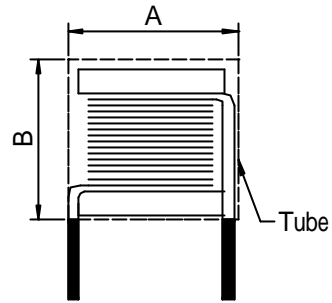


Product Identification



- Note: lead-free
- CHILISIN uses UL tube on TD Series to avoid the damage when wave soldering.
- Customized specifications are welcome.

Shapes and Dimensions



Dimension in mm

	TD0608C	TD0608T	TD0809C	TD0809T
A	9 ⁺⁰	10 ⁺⁰	11 ⁺⁰	12 ⁺⁰
B	8±0.5	15 ⁺⁰	9±0.5	21 ⁺⁰

Specification:

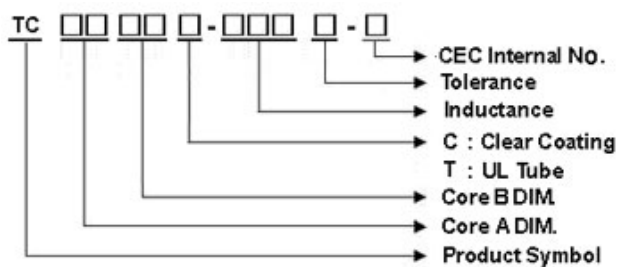
Inductance L = 1μH ~ 220μH @ 1 KHz, 1V

- Shrinkable Tube or Clear Coating
- Test instrument: L: HP4263B LCR Meter

TC Series



Product Identification



- Note: lead-free
- CHILISIN uses UL tube on TC Series to avoid the damage when wave soldering.
- Customized specifications are welcome.

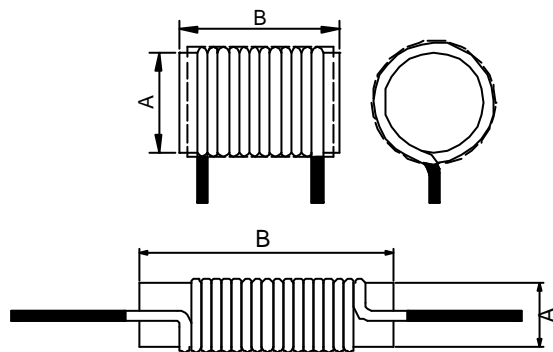
Features

- For high current
- Printed circuit mounting

Applications

For switching regulators, switching power supplies, typewriting machines, amplifiers, monitors, TVs, UPSs, etc

Shapes and Dimensions



Specification:

Inductance L = 1μH ~ 220μH @ 1 KHz, 1V

- Shrinkable Tube or Clear Coating
- Core Dimensions of A & B are customer design.
- Test instrument: L: HP4263B LCR Meter