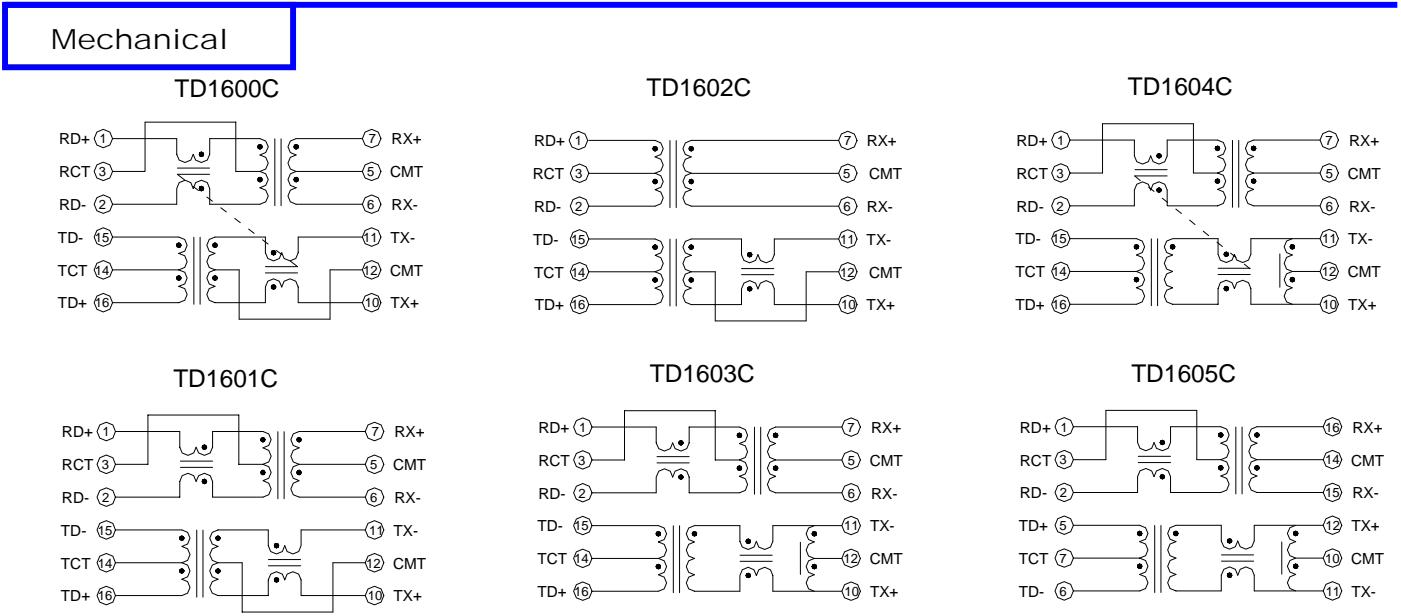
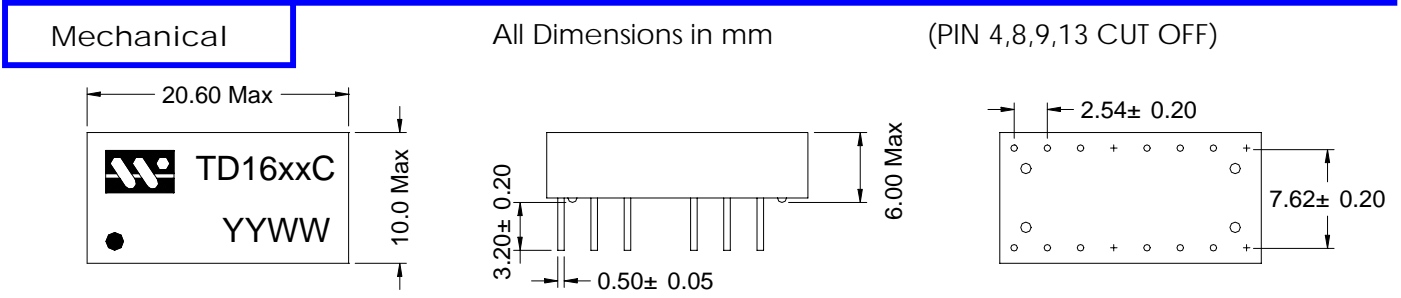


- . Meets all IEEE 802.3 and ANSIX 3.263 standard including 350 uH OCL with 8mADC Bias.
- . Cable interface for isolation and low common mode emissions.
- . 16-Pin through hole footprint package for economic cost.



Electrical Spec @25

Operating Temp:	0 to 70	Leakage Inductance:	0.4uH Max @100KHz 100mV
HIPOT:	1500Vrms	Insertion Loss(0.1-125MHz):	-1.1dB Max.
Turns Ratio:	1CT:1CT	Return Loss (0.1-60MHz):	-17dB Typ
OCL:	350uH Min @100KHz 100mV 8mA	(60-100MHz):	-11dB Typ

Part Number	PRI / SEC Cw/w (pF Typ) 100KHz 100mV	CrossTalk (dB Min)		CMRR (dB Min)		Core Q'ty
		0.1-60MHz	60-100MHz	0.1-60MHz	60-100MHz	
TD1600C	30	-40	-35	-40	-35	3
TD1601C	25	-45	-38	-40	-35	4
TD1602C	25	-45	-35	-40	-40	3
TD1603C	25	-45	-38	-40	-40	5
TD1604C	28	-40	-38	-40	-35	4
TD1605C	25	-40	-35	-40	-35	5