

**CRYDOM***Control over power*

# Quad Relay

20Amp • 120/240 Vac • AC Output

- **Zero Voltage and Random Turn-On Switching**
- **Triac Output**
- **Industry Standard Package**
- **Panel Mount**

Four independent AC output relays come in a single standard panel-mount package. Utilizing an AC switch output with internal snubber, relays provide greater protection against false triggering. Model choices include zero-voltage or random turn-on (phase controllable) switching.

Manufactured in Crydom's ISO 9001 Certified facility for optimum product performance and reliability.

www.DataSheet4U.com

MODEL NUMBER	T D2420Q
<b>OUTPUT SPECIFICATIONS</b> ①	
Operating Voltage (47-63 Hz) [Vrms]	24-280
Load Current Range ③ [Arms]	.15-20
Transient Overvoltage [Vpk]	600
Max. Surge Current, (16.6ms) [Apk]	250
Max. On-State Voltage Drop @ Rated Current [Vpk]	1.6
Thermal Resistance Junction to Case ( $R_{\theta JC}$ ) [0/W]	1.2
Maximum $I^2 t$ for Fusing, (8.3 msec.) [A <sup>2</sup> sec]	260
Max. Off-State Leakage Current @ Rated Voltage [mArms]	10
Min. Off-State dv/dt @ Max. Rated Voltage [V/μsec] ②	200
Max. Turn-On Time ④	1/2 cycle
Max. Turn-Off Time	1/2 cycle
Power Factor (Min.) with Max. Load	0.5
<b>INPUT SPECIFICATIONS</b> ①	
Control Voltage Range	4-15 Vdc
Max. Turn-On Voltage	4.0 Vdc
Min. Turn-Off Voltage	1.0 Vdc
Nominal Input Impedance	330 Ohms
Typical Input Current @ 5 Vdc	12 mA

©2002 CRYDOM CORP, Specifications subject to change without notice.

**GENERAL NOTES**

- ① All parameters at 25°C and per section unless otherwise specified.
- ② Off-State dv/dt test method per EIA/NARM standard RS-443, paragraph 13.11.1
- ③ Heat sinking required, max. 20A per section, **max. 60A per package.**
- ④ Turn-on time for random turn-on versions is 0.1 msec.

For recommended applications and more information contact:

**USA: Sales Support** (877) 502-5500 **Tech Support** (877) 702-7700 **FAX** (619) 710-8540  
 Crydom Corp, 2320 Paseo de las Americas, Ste. 201, San Diego, CA 92154

**Email:** sales@crydom.com **WEB SITE:** http://www.crydom.com

**UK:** +44 (0)1202 365070 • **FAX** +44 (0)1202 365090 Crydom International Ltd., 7 Cobham Road, Ferndown Industrial Estate, Ferndown, Dorset BH21 7PE, **Email:** intsales@crydom.com.

**GERMANY:** +49 (0)180 3000 506





# Quad Relay

20Amp • 120/240 Vac • AC Output

## GENERAL SPECIFICATIONS

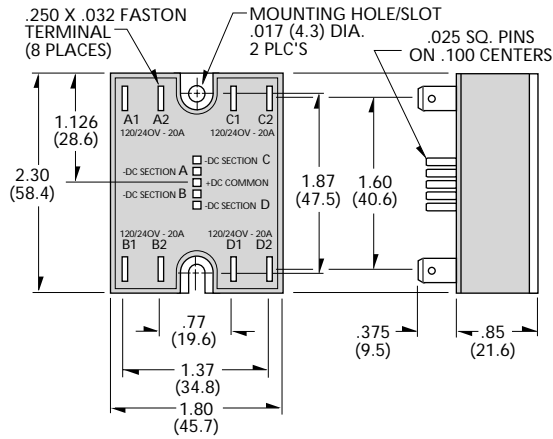
Dielectric Strength 50/60Hz Input/Output/Base	2500 Vrms
Insulation Resistance (Min.) @ 500 Vdc	10 <sup>9</sup> Ohm
Max. Capacitance Input/Output	10 pF
Ambient Operating Temperature Range	-40 to 80°C
Ambient Storage Temperature Range	-40 to 125°C

## MECHANICAL SPECIFICATIONS

Weight: (typical)	3.5 oz. (109g)
Encapsulation:	Thermally Conductive Epoxy
Terminals:	.250 Faston, .025 Square Pins

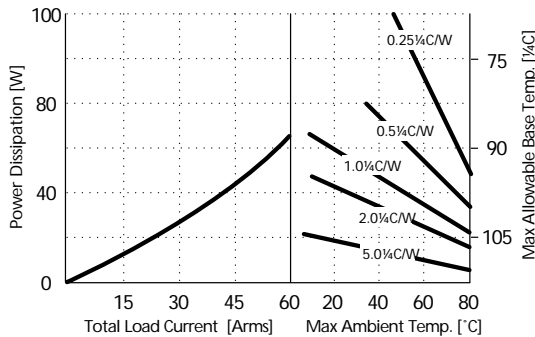
### AVAILABLE OPTIONS

- 10 Random Turn-On, Phase Controllable  
Example: TD242 0Q-10

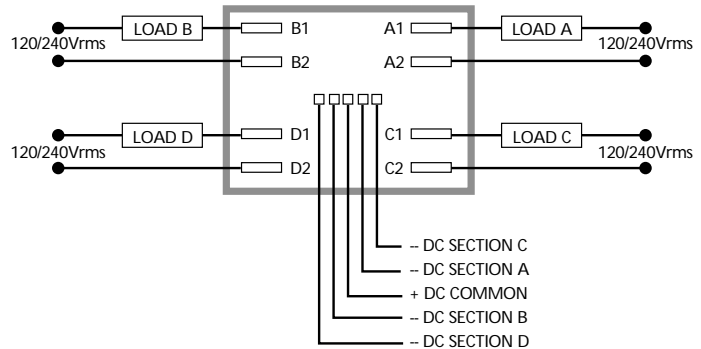


All dimensions are in inches (millimeters)

### CURRENT DERATING CURVES



### WIRING DIAGRAM



**Crydom Heat Sinks** offer excellent thermal management and are perfectly matched to the load current ratings of Crydom panel mount relays. Request Crydom's Heat Sink specification sheet for all the details.

### APPROVALS

UL E116949  
CSA LR81689



FastFax Document No. 166  
QUAD  
Rev. 041902  
PAGE 2 OF 2

©2002 CRYDOM CORP, Specifications subject to change without notice.

For recommended applications and more information contact:

USA: Sales Support (877) 502-5500 Tech Support (877) 702-7700 FAX (619) 710-8540

Crydom Corp, 2320 Paseo de las Americas, Ste. 201, San Diego, CA 92154

Email: sales@crydom.com WEB SITE: <http://www.crydom.com>

UK: +44 (0)1202 365070 • FAX +44 (0)1202 365090 Crydom International Ltd., 7 Cobham

Road, Ferndown Industrial Estate, Ferndown, Dorset BH21 7PE, Email: [intsales@crydom.com](mailto:intsales@crydom.com).

GERMANY: +49 (0)180 3000 506



[www.DataSheet4U.com](http://www.DataSheet4U.com)