

TD62380P

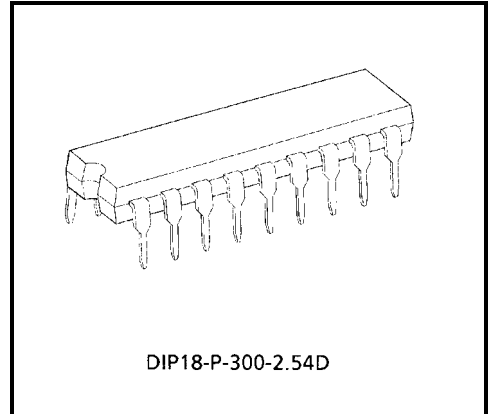
8CH LOW SATURATION DARLINGTON SINK DRIVER

The TD62380P is comprised of eight NPN low saturation driver. This device is specifically designed for multiplexed digit driving of eight digit common-cathode LED and also can be employed as a sink driver for multiplexed LED displays using with the TD62785P, TD62785F at standard supply voltage, 5 V. Applications include relay, hammer, lamp and LED display drivers.

Please observe the thermal condition for using.

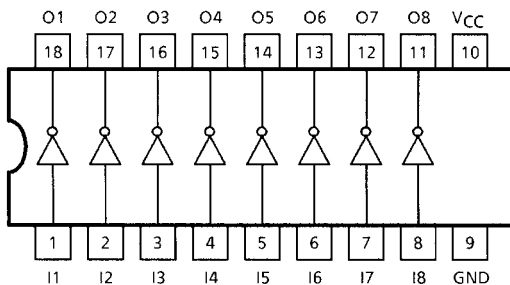
FEATURES

- Low saturation output $V_{CE(sat)} = 0.5 \text{ V (Max)}$
@ $I_{OUT} = 120 \text{ mA}$
- Output rating 15 V (Min.) / 120 mA (Max)
- Input compatible with TTL and 5-V CMOS
- Low level active inputs
- Standard supply voltage
- Package type: DIP-18 pin.

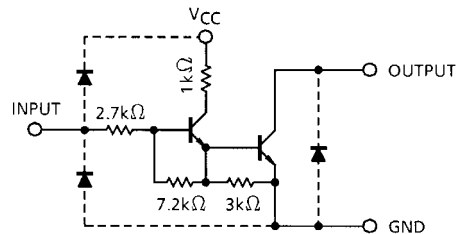


Weight: 1.47 g (Typ.)

PIN CONNECTION (TOP VIEW)



SCHEMATICS (EACH DRIVER)



Note: The input and output parasitic diodes cannot be used as clamp diodes.

MAXIMUM RATINGS (Ta = 25°C)

CHARACTERISTIC	SYMBOL	RATING	UNIT
Supply Voltage	V _{CC}	7	V
Output Sustaining Voltage	V _{CE (SUS)}	15	V
Output Current	I _{OUT}	120	mA / ch
Input Voltage	V _{IN}	7	V
Input Current	I _{IN}	5	mA
Power Dissipation	P _D (Note)	1.47	W
Operating Temperature	T _{opr}	-40~85	°C
Storage Temperature	T _{stg}	-55~150	°C

Note: Delated above 25°C in the proportion of 11.7 mW / °C.

RECOMMENDED OPERATING CONDITIONS (Ta = -40~85°C)

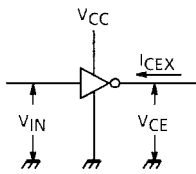
CHARACTERISTIC	SYMBOL	CONDITION	MIN	TYP.	MAX	UNIT
Supply Voltage	V _{CC}	—	4.5	5	5.5	V
Output Voltage	V _{OUT}	—	—	—	12	V
Output Current	I _{OUT}	—	—	—	120	mA / ch
Input Voltage	V _{IN}	—	0	—	V _{CC}	V
Power Dissipation	P _D	—	—	—	0.52	W

ELECTRICAL CHARACTERISTICS (Ta = 25°C)

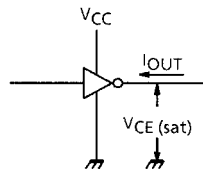
CHARACTERISTIC	SYMBOL	TEST CIR-CUIT	TEST CONDITION	MIN	TYP.	MAX	UNIT
Output Leakage Current	I _{CEX}	1	V _{CC} = 5 V, V _{IN} = OPEN V _{OUT} = 12 V, Ta = 85°C	—	—	100	μA
Output Saturation Voltage	V _{CE (sat)}	2	V _{CC} = 5 V, V _{OUT} = 120 mA	—	0.18	0.5	V
Input Current	I _{IN (ON)}	3	V _{CC} = 5 V, V _{IN} = 2.4 V	—	0.4	0.7	mA
Supply Current	I _{CC}	4	V _{CC} = V _{IN} = 5 V	—	—	8	mA / Gate
Turn-On Delay	t _{ON}	5	V _{OUT} = 10 V, R _L = 100 Ω C _L = 15 pF	—	0.1	—	μs
Turn-Off Delay	t _{OFF}			—	1.2	—	μs

TEST CIRCUIT

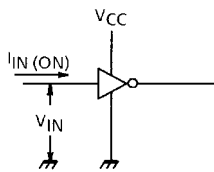
1. I_{CEX}



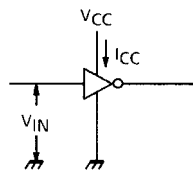
2. $V_{CE(sat)}$



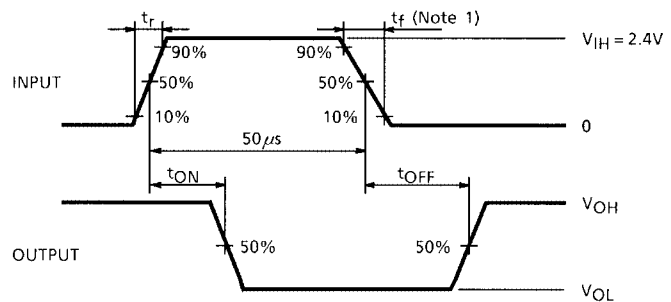
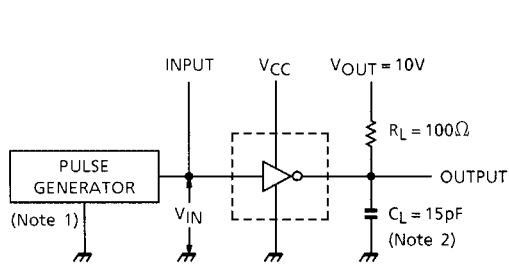
3. $I_{IN(ON)}$



4. I_{CC}



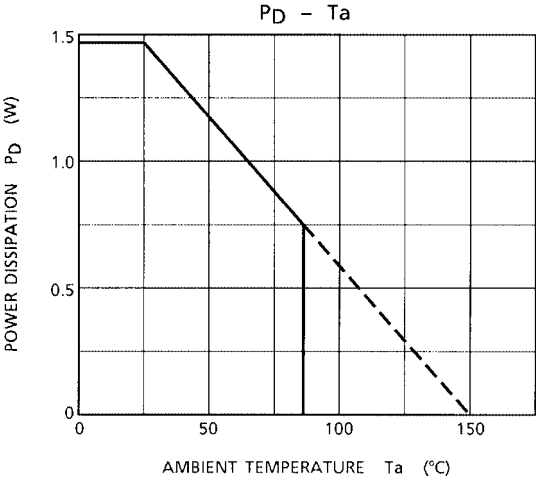
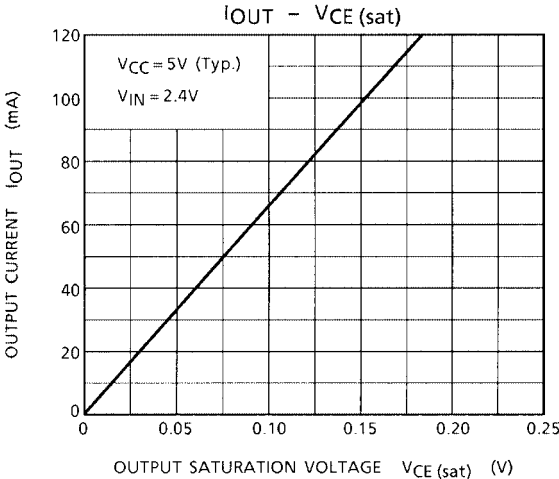
5. t_{ON}, t_{OFF}



- Note 1: Pulse Width 50 μ s, Duty Cycle 10%
 Output Impedance 50 Ω , $t_r \leq 5$ ns, $t_f \leq 10$ ns
- Note 2: C_L includes probe and jig capacitance.

PRECAUTIONS for USING

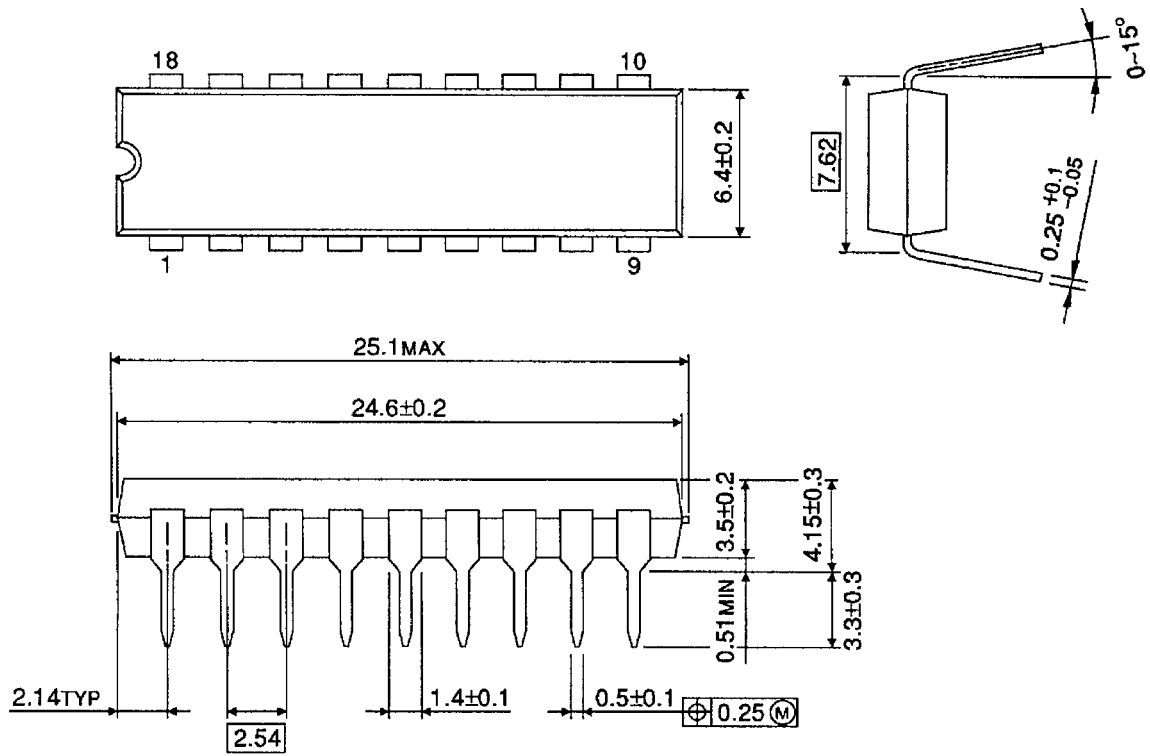
This IC does not include built-in protection circuits for excess current or overvoltage. If this IC is subjected to excess current or overvoltage, it may be destroyed. Hence, the utmost care must be taken when systems which incorporate this IC are designed. Utmost care is necessary in the design of the output line, VCC, and GND line since IC may be destroyed due to short-circuit between outputs, air contamination fault, or fault by improper grounding.



PACKAGE DIMENSIONS

DIP18-P-300-2.54D

Unit: mm



Weight: 1.47 g (Typ.)

RESTRICTIONS ON PRODUCT USE

000707EBA

- TOSHIBA is continually working to improve the quality and reliability of its products. Nevertheless, semiconductor devices in general can malfunction or fail due to their inherent electrical sensitivity and vulnerability to physical stress. It is the responsibility of the buyer, when utilizing TOSHIBA products, to comply with the standards of safety in making a safe design for the entire system, and to avoid situations in which a malfunction or failure of such TOSHIBA products could cause loss of human life, bodily injury or damage to property.
In developing your designs, please ensure that TOSHIBA products are used within specified operating ranges as set forth in the most recent TOSHIBA products specifications. Also, please keep in mind the precautions and conditions set forth in the "Handling Guide for Semiconductor Devices," or "TOSHIBA Semiconductor Reliability Handbook" etc..
- The TOSHIBA products listed in this document are intended for usage in general electronics applications (computer, personal equipment, office equipment, measuring equipment, industrial robotics, domestic appliances, etc.). These TOSHIBA products are neither intended nor warranted for usage in equipment that requires extraordinarily high quality and/or reliability or a malfunction or failure of which may cause loss of human life or bodily injury ("Unintended Usage"). Unintended Usage include atomic energy control instruments, airplane or spaceship instruments, transportation instruments, traffic signal instruments, combustion control instruments, medical instruments, all types of safety devices, etc.. Unintended Usage of TOSHIBA products listed in this document shall be made at the customer's own risk.
- The products described in this document are subject to the foreign exchange and foreign trade laws.
- The information contained herein is presented only as a guide for the applications of our products. No responsibility is assumed by TOSHIBA CORPORATION for any infringements of intellectual property or other rights of the third parties which may result from its use. No license is granted by implication or otherwise under any intellectual property or other rights of TOSHIBA CORPORATION or others.
- The information contained herein is subject to change without notice.