

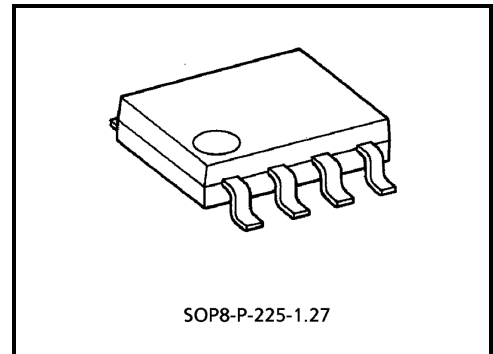
TD7101F

ELC Prescaler For Digital Synthesized Tuner

TD7101F is a 2 modulus prescaler developed for low operating voltage digital synthesized tuner, and can operate up to 150MHz.

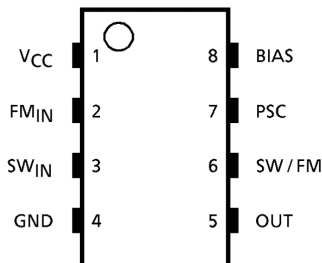
Features

- Operating frequency range is 1.5~35MHz / 50~150MHz.
- 2 modulus prescaler: $N = 4 \times 15 / 16$ and $N = 15 / 16$
- Input voltage sensitivity is $V_{IN} (FM) = 35mV_{rms}$, $V_{IN} (SW) = 40mV_{rms}$
- 3V low operating supply voltage.
- The package is SOP-8 pins.

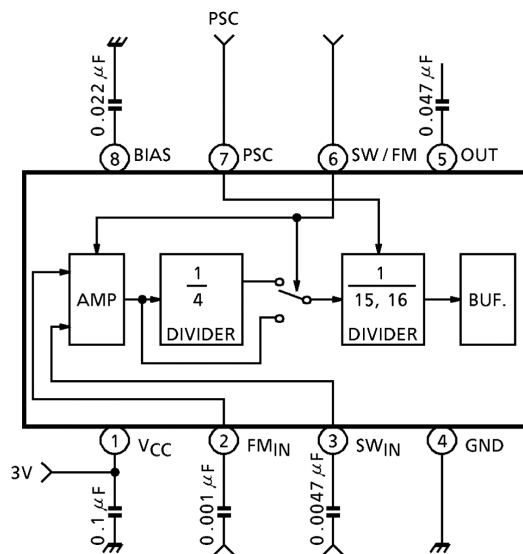


Weight: 0.08g (typ.)

Pin Connection



Block Diagram



(Note) This device is vulnerable to surge voltage.
Take it into account when using this device in your system.

Pin Function

Pin No.	Symbol	Function	Remarks
1	V _{CC}	Power supply terminal.	—
2	FM _{IN}	Signal input terminal from FM local oscillator.	—
3	SW _{IN}	Signal input terminal from SW local oscillator.	—
4	GND	Ground terminal.	—
5	Out	Divider signal output terminal.	—
6	SW / FM	Dividing mode control terminal. "H" level input: SW _{IN} is selected, direct mode. "L" level input: FM _{IN} is selected, 1 / 4 mode.	—
7	PSC	2 modulus mode control terminal. "H" level input: 1 / 16 dividing "L" level input: 1 / 15 dividing	—
8	Bias	Bias capacitor terminal. Bias capacitor is connected.	—

Maximum Ratings (Ta = 25°C)

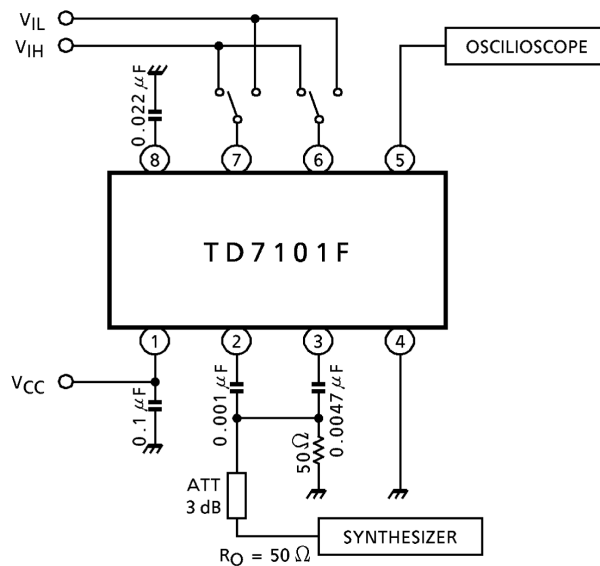
Characteristic	Symbol	Rating	Unit
Power supply voltage	V _{CC}	6.5	V
Power dissipation	P _D	200	mW
Input voltage	V _{IN}	-0.3~V _{CC} + 0.3	V
Operating temperature	T _{opr}	-10~60	°C
Storage temperature	T _{stg}	-55~150	°C

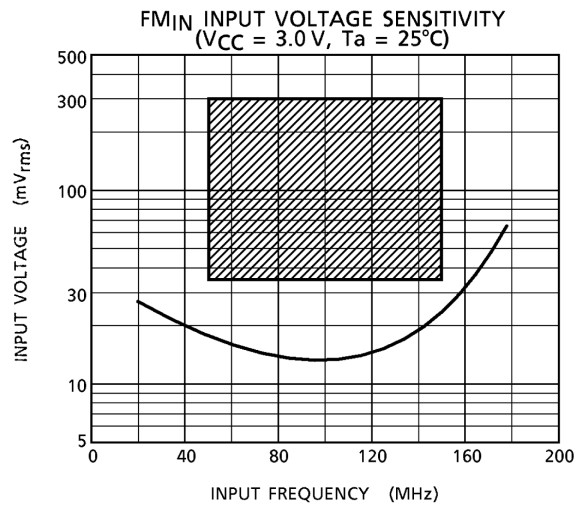
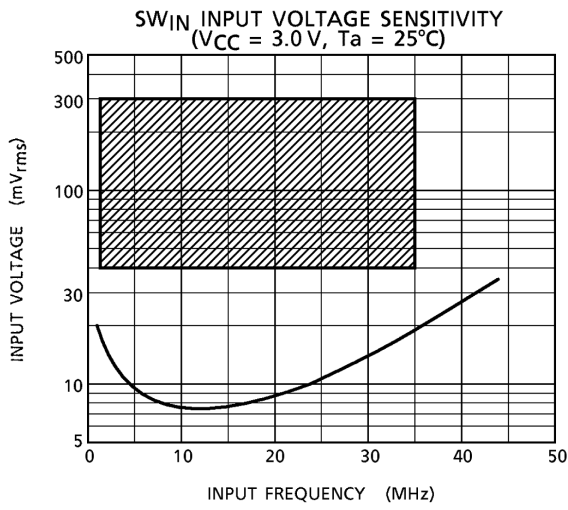
Electrical Characteristics

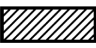
(unless otherwise specified, $V_{CC} = 1.8\sim 5.5V$, $T_a = -10\sim 60^\circ C$, $f_{in} (FM) = 50\sim 150MHz$, $f_{in} (SW) = 1.5\sim 35MHz$)

Characteristic		Symbol	Test Circuit	Test Condition	Min.	Typ.	Max.	Unit
Supply voltage		V_{CC}	—	—	1.8	3.0	5.5	V
Supply current		I_{CC}	—	$V_{CC} = 3.0V$	—	5.5	9.5	mA
Operating frequency range		f_{IN1}	—	FM _{IN}	50	—	150	MHz
		f_{IN2}	—	SW _{IN}	1.5	—	35	
Input voltage range		V_{IN1}	—	FM _{IN}	35	—	300	mV _{rms}
		V_{IN2}	—	SW _{IN}	40	—	300	
Output amplitude		V_{OUT}	—	—	0.5	—	—	V _{p-p}
Input voltage	"H" level	V_{IH}	—	PSC, SW / FM	1.6	—	V_{CC}	V
	"L" level	V_{IL}	—	PSC, SW / FM	0	—	1.0	
Input current	"H" level	I_{IH}	—	PSC, SW / FM, $V_{CC} = 5.0V$, $V_{IH} = 4.0V$	—	—	60	μA
	"L" level	I_{IL}	—	PSC, SW / FM, $V_{CC} = 5.0V$, $V_{IL} = 1.0V$	—	—	10	

Test Circuit (input voltage sensitivity)



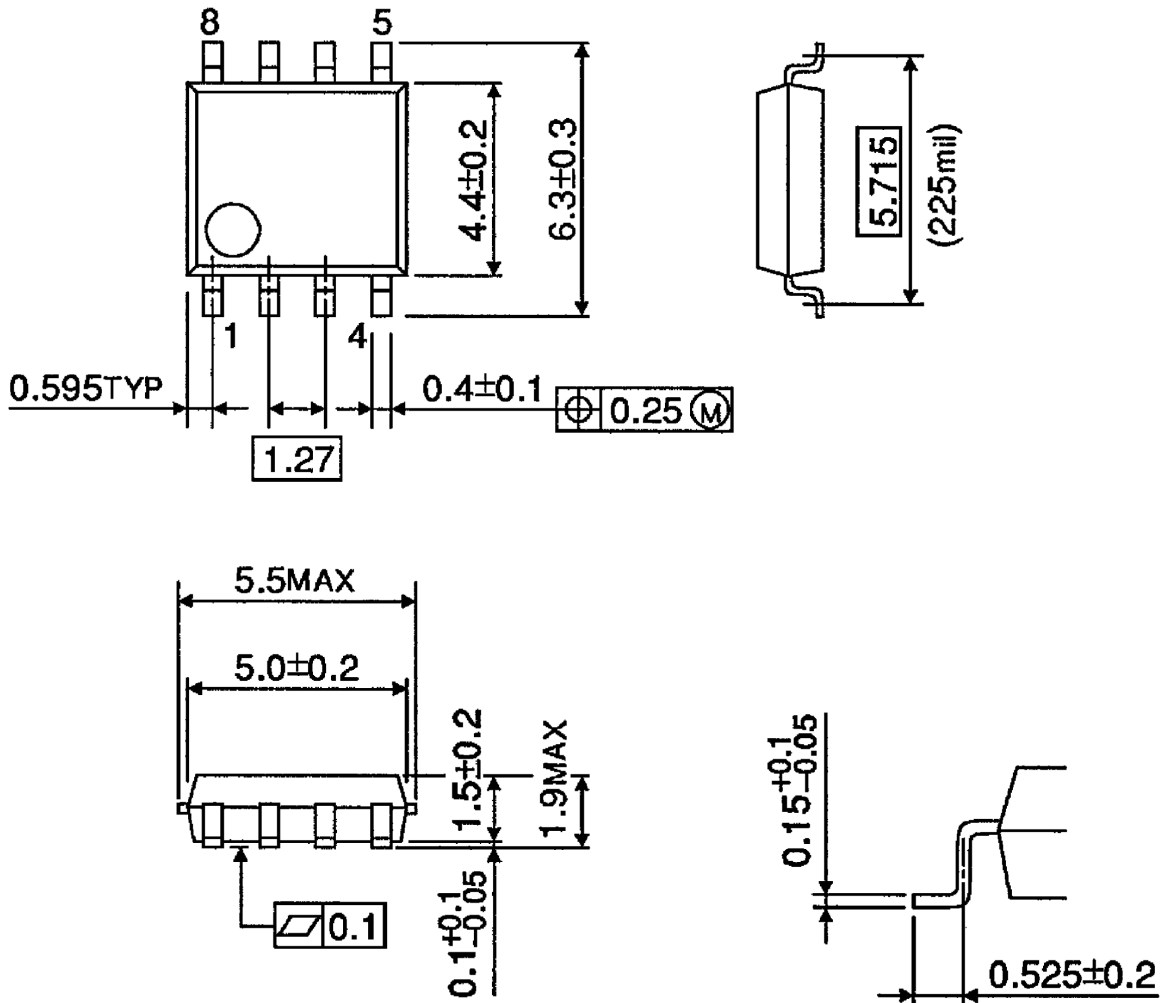


(Note)  Operating range (V_{CC} = 1.8~5.5 V, T_a = -10~60°C)

Package Dimensions

SOP8-P-225-1.27

Unit : mm



Weight: 0.08g (typ.)

RESTRICTIONS ON PRODUCT USE

000707EBA

- TOSHIBA is continually working to improve the quality and reliability of its products. Nevertheless, semiconductor devices in general can malfunction or fail due to their inherent electrical sensitivity and vulnerability to physical stress. It is the responsibility of the buyer, when utilizing TOSHIBA products, to comply with the standards of safety in making a safe design for the entire system, and to avoid situations in which a malfunction or failure of such TOSHIBA products could cause loss of human life, bodily injury or damage to property.
In developing your designs, please ensure that TOSHIBA products are used within specified operating ranges as set forth in the most recent TOSHIBA products specifications. Also, please keep in mind the precautions and conditions set forth in the "Handling Guide for Semiconductor Devices," or "TOSHIBA Semiconductor Reliability Handbook" etc..
- The TOSHIBA products listed in this document are intended for usage in general electronics applications (computer, personal equipment, office equipment, measuring equipment, industrial robotics, domestic appliances, etc.). These TOSHIBA products are neither intended nor warranted for usage in equipment that requires extraordinarily high quality and/or reliability or a malfunction or failure of which may cause loss of human life or bodily injury ("Unintended Usage"). Unintended Usage include atomic energy control instruments, airplane or spaceship instruments, transportation instruments, traffic signal instruments, combustion control instruments, medical instruments, all types of safety devices, etc.. Unintended Usage of TOSHIBA products listed in this document shall be made at the customer's own risk.
- The products described in this document are subject to the foreign exchange and foreign trade laws.
- The information contained herein is presented only as a guide for the applications of our products. No responsibility is assumed by TOSHIBA CORPORATION for any infringements of intellectual property or other rights of the third parties which may result from its use. No license is granted by implication or otherwise under any intellectual property or other rights of TOSHIBA CORPORATION or others.
- The information contained herein is subject to change without notice.