

TENTATIVE

TOSHIBA BIPOLAR DIGITAL INTEGRATED CIRCUIT SILICON MONOLITHIC

TD7624AFN

3-WIRE AND I²C BUS SYSTEM, 1.3 GHz DIRECT TWO MODULUS-TYPE FREQUENCY SYNTHESIZER FOR TV AND CATV

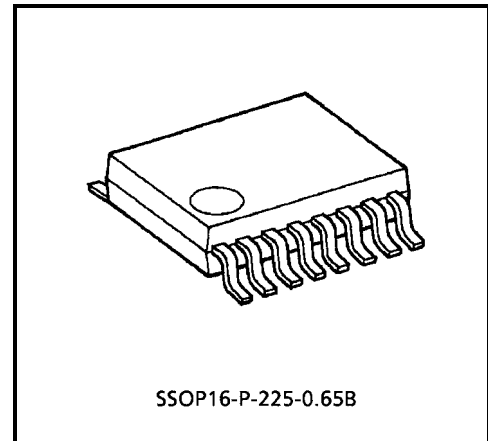
The TD7624AFN can be combined with a micro CPU to create a highly functional frequency synthesizer. The control data conforms to 3-wire bus and standard I²C bus formats. BUS-SW can be used to easily switch for easy tuner system set-up.

FEATURES

- Direct two modulus-type frequency synthesizer
- Standard I²C bus format control with built-in read mode
- 3-wire bus format control
- 18-bit and 19-bit automatic discrimination circuit (when 3-wire bus selected)
- 4-bit bandswitch drive transistor
- 5-level A / D converter (when I²C bus selected)
- Frequency Step : 31.25 kHz, 50 kHz and 62.5kHz (at 4 MHz X'tal used)
- Phase lock detector
- Four address settings via address selector (when I²C bus selected)
- Power on reset circuit
- Flat, compact package : SSOP16 (0.65 mm pitch)
- Power on reset operation condition

Bandswitch register 1 to 4	: OFF
Tuning amplifier	: ON
Tuning voltage output (Vt)	: Low level
Charge-pump output current	: ±60 μA
Phase comparator reference frequency divider ratio	: 1 / 64

Note: These devices are easy to be damaged by high static voltage or electric fields.
In regards to this, please handle with care.



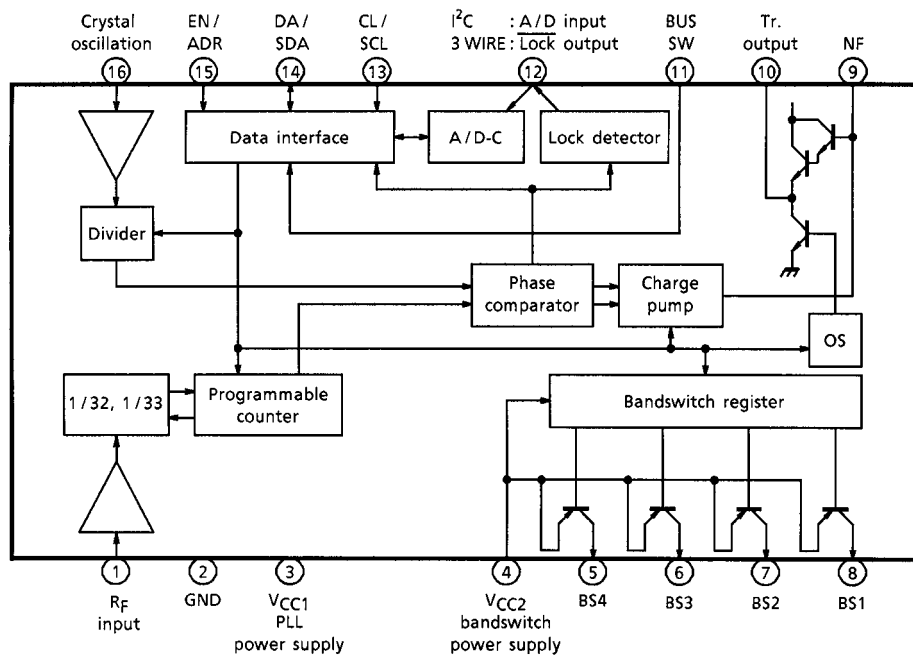
SSOP16-P-225-0.65B

Weight: 0.07 g (Typ.)

000707EBA1

- TOSHIBA is continually working to improve the quality and reliability of its products. Nevertheless, semiconductor devices in general can malfunction or fail due to their inherent electrical sensitivity and vulnerability to physical stress. It is the responsibility of the buyer, when utilizing TOSHIBA products, to comply with the standards of safety in making a safe design for the entire system, and to avoid situations in which a malfunction or failure of such TOSHIBA products could cause loss of human life, bodily injury or damage to property.
In developing your designs, please ensure that TOSHIBA products are used within specified operating ranges as set forth in the most recent TOSHIBA products specifications. Also, please keep in mind the precautions and conditions set forth in the "Handling Guide for Semiconductor Devices," or "TOSHIBA Semiconductor Reliability Handbook" etc..
- The TOSHIBA products listed in this document are intended for usage in general electronics applications (computer, personal equipment, office equipment, measuring equipment, industrial robotics, domestic appliances, etc.). These TOSHIBA products are neither intended nor warranted for usage in equipment that requires extraordinarily high quality and/or reliability or a malfunction or failure of which may cause loss of human life or bodily injury ("Unintended Usage"). Unintended Usage include atomic energy control instruments, airplane or spaceship instruments, transportation instruments, traffic signal instruments, combustion control instruments, medical instruments, all types of safety devices, etc.. Unintended Usage of TOSHIBA products listed in this document shall be made at the customer's own risk.
- The products described in this document are subject to the foreign exchange and foreign trade laws.
- The information contained herein is presented only as a guide for the applications of our products. No responsibility is assumed by TOSHIBA CORPORATION for any infringements of intellectual property or other rights of the third parties which may result from its use. No license is granted by implication or otherwise under any intellectual property or other rights of TOSHIBA CORPORATION or others.
- The information contained herein is subject to change without notice.

BLOCK DIAGRAM



MAXIMUM RATINGS (Ta = 25°C)

CHARACTERISTIC	SYMBOL	RATING	UNIT
Supply Voltage 1	V _{CC1}	6.0	V
Supply Voltage 2	V _{CC2}	12	V
Power Consumption	P _D	560	mW
Operating Temperature	T _{opr}	-20~85	°C
Storage Temperature	T _{stg}	-55~150	°C

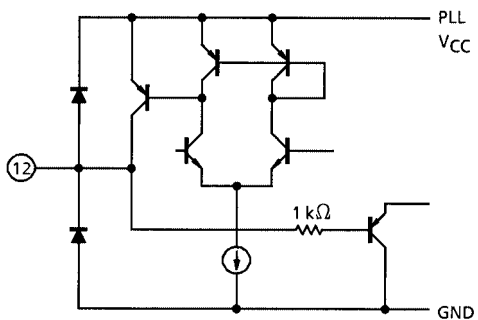
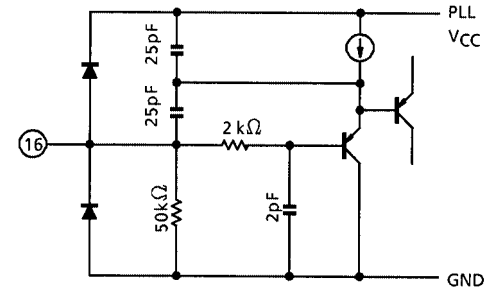
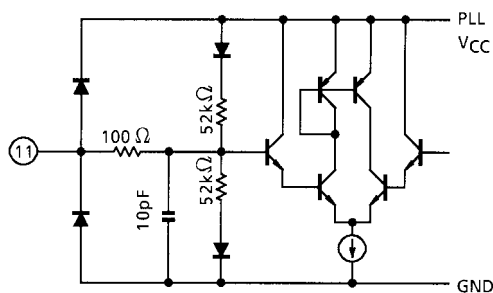
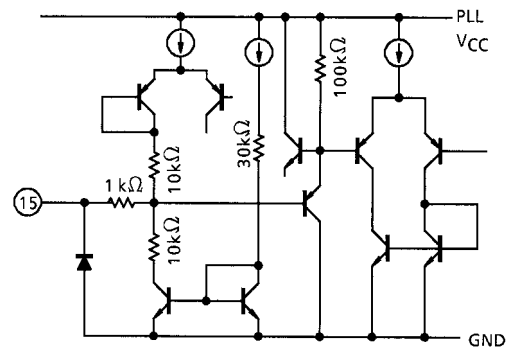
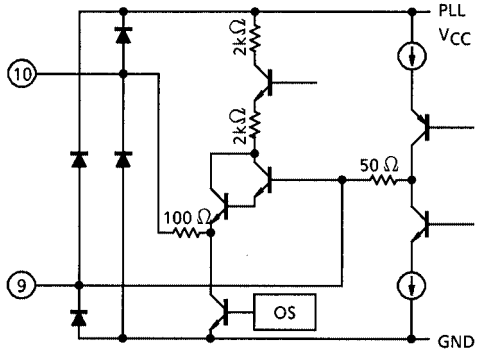
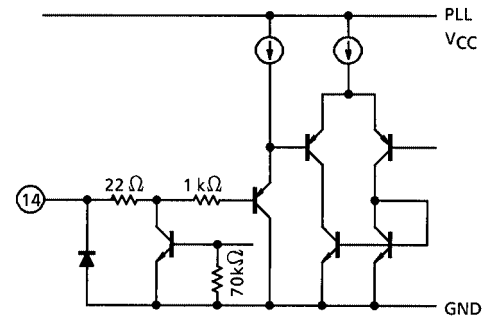
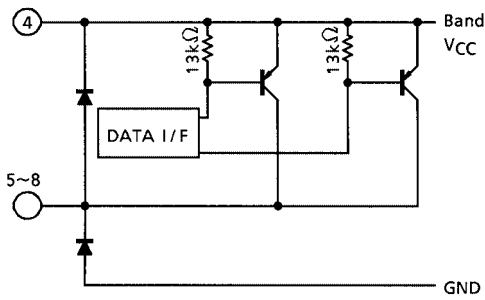
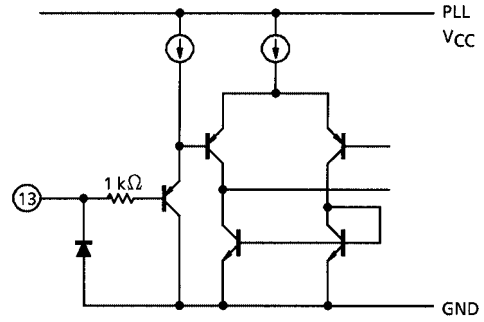
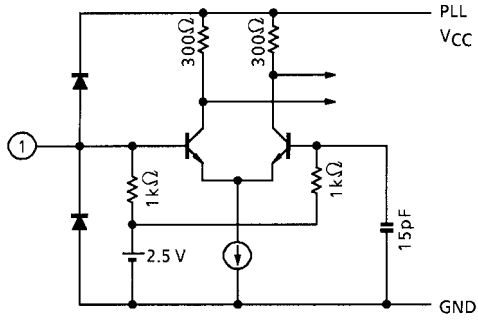
Note 1: When using the device at above Ta = 25°C, decrease the power dissipation by 4.5 mW for each increase of 1°C.

Note 2: These devices are easy to be damaged by high static voltage or electric fields. In regards to this, please handle with care.

RECOMMENDED SUPPLY VOLTAGE

PIN No.	PIN NAME	MIN	TYP.	MAX	UNIT
3	V _{CC1} : PLL Power Supply	4.5	5.0	5.5	V
4	V _{CC2} : Band Switch Power Supply	V _{CC1}	—	9.9	V

PIN INTERFACE



ELECTRICAL CHARACTERISTICS

(Unless otherwise specified, $V_{CC1} = 5\text{ V}$, $V_{CC2} = 9\text{ V}$, $T_a = 25^\circ\text{C}$)

CHARACTERISTIC	SYMBOL	TEST CIR-CUIT	TEST CONDITION	MIN	TYP.	MAX	UNIT
Supply Voltage 1	V_{CC1}	—	—	4.5	5.0	5.5	V
Supply Current 1	I_{CC1}	1	Bandswitch : OFF V_t : OFF	13	16	21	mA
Supply Voltage 2	V_{CC2}	—	—	V_{CC1}	—	9.9	V
Supply Current 2	I_{CC2-1}	1	Bandswitch : 1 Band ON $I_{BD} = 30\text{ mA}$ (LOAD)	—	35	39	mA
	I_{CC2-2}		Bandswitch : 2 Band ON $I_{BD} = 40\text{ mA}$ (TOTAL LOAD)	—	50	58	
Bandswitch Drive Current	I_{BD}	3	Maximum Drive Current / 1 port	—	—	30	mA
Bandswitch Drive Maximum LOAD	I_{BDMAX}	3	Maximum Total Drive Current	—	—	50	mA
Bandswitch Drive Voltage Drop	$V_{BD Sat}$	3	$I_{BD} = 30\text{ mA}$	—	0.2	0.4	V
X'tal Operating Range	OSC_{in}	—	—	3.2	—	4.5	MHz
X'tal Negative Resistance	$OSCR$	1	—	1.0	1.5	—	k Ω
X'tal External Input Level	OSC_{in}	—	3.2 MHz~4.5 MHz, $R_x = 91\text{ k}\Omega$	250	—	1000	mV _{p-p}
Ratio Setting Range	N14	—	15-bit counter	1024	—	32767	Ratio
	N13		14-bit counter	1024	—	16384	
Prescaler Input Sensitivity	V_{in1}	2	$f = 80\sim 150\text{ MHz}$	-25	—	+5	dBmW
	V_{in2}		$f = 150\sim 1300\text{ MHz}$	-30	—	+5	
Lock Output Low Voltage	V_{LkL}	1	(lock mode, 3-wire bus mode)	—	—	0.4	V
Lock Output High Voltage	V_{LkH}	1	(unlock mode, 3-wire bus mode)	4.6	—	—	V
Logic Input Low Voltage	V_{BsL}	1	Pins 13 to 15	-0.3	—	1.5	V
Logic Input High Voltage	V_{BsH}	1	Pins 13 to 15	3.0	—	$V_{CC1} + 0.3$	V
Logic Input Current (low)	I_{BsL}	1	Pins 13 to 15	-20	—	10	μA
Logic Input Current (high)	I_{BsH}	1	Pins 13 to 15	-10	—	20	
BUS-SW Low Input Voltage	V_{BIL}	1	—	0.0	—	0.8	V
BUS-SW High Input Voltage	V_{BIH}	1	—	4.2	—	V_{CC1}	

CHARACTERISTIC	SYMBOL	TEST CIRCUIT	TEST CONDITION	MIN.	TYP.	MAX.	UNIT
BUS-SW Low Current (low)	I _{BIL}	1	—	-200	—	—	μA
BUS-SW Low Current (high)	I _{BIH}	1	—	—	—	200	
Charge Pump Output Current	I _{chg}	2	CP = [0]	±50	±60	±90	μA
			CP = [1]	±230	±280	±420	
ACK Output Voltage	V _{ACK}	1	I _{SINK} = 3 mA (I ² C-bus mode)	—	—	0.4	V
A / D Converter Input Voltage	V _{ADC}	—	—	0.0	—	V _{CC1}	V
Set-up Time	T _s	—	(3-wire bus mode) Refer to data timing chart	2	—	—	μs
Enable Hold Time	T _{sL}			2	—	—	
Next Enable Stop Time	T _{NE}			6	—	—	
Next Clock Stop Time	T _{NC}			6	—	—	
Clock Width	T _c			2	—	—	
Enable Set-up Time	T _L			10	—	—	
Data Hold Time	T _H			2	—	—	
SCL Clock Frequency	f _{SCL}			0	—	100	
Bus Free Time Between a STOP and START Condition	t _{BUF}	—	(I ² C bus mode) Refer to data timing chart	4.7	—	—	μs
Hold Time (Repeated) START Condition	t _{HD;STA}			4.0	—	—	
Low Period of the SCL Clock	t _{LOW}			4.7	—	—	
High Period of the SCL Clock	t _{HIGH}			4.0	—	—	
Set-up Time for a Repeated START Condition	t _{SU;STA}			4.7	—	—	
Data Hold Time	t _{HD;DAT}			0	—	—	
Data Set-up Time	t _{SU;DAT}			250	—	—	
Rise Time of both SDA and SCL Signals	t _R			—	—	1000	
Fall Time of both SDA and SCL Signals	t _F	—	—	300			
Set-up Time for STOP Condition	t _{SU;STO}	4.0	—	—	μs		

Fig.1 3-wire bus data timing chart (Falling edge timing)

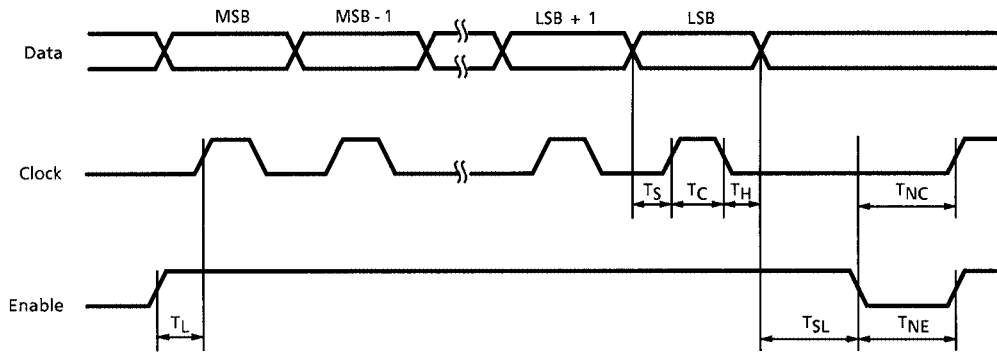
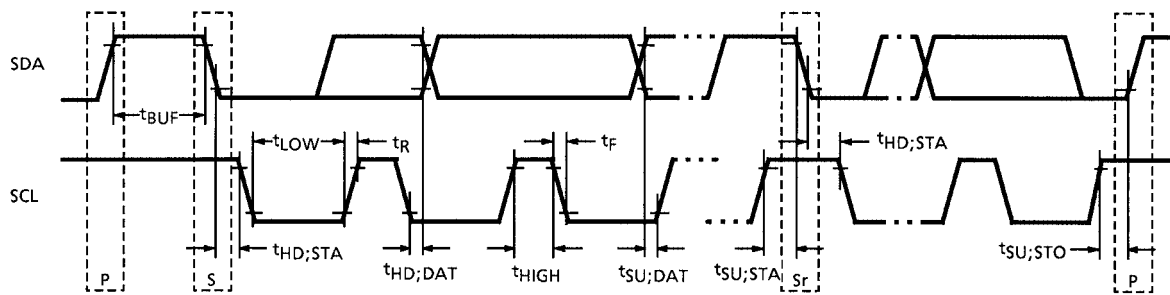


Fig.2 I²C bus data timing chart (Falling edge timing)



OPERATION INSTRUCTIONS

TD7624AFN can be controlled with either the 3-wire bus or standard I²C bus.

The 3-wire bus mode is equipped with an 18-bit / 19-bit automatic selection circuit.

Frequency steps can be switched, depending on the voltage applied to the BUS-SW pin.

The I²C bus conforms to the standard I²C bus format. The bus supports two-way bus communications control, consisting of WRITE mode where data are received and READ mode where data are transmitted. In READ mode, the voltage applied on the A / D converter input pin can be transmitted and output with 5-level resolution.

(This function is only valid when the I²C bus is selected. When the 3-wire bus is selected, the A / D converter input pin function as the $\overline{\text{LOCK}}$ output pin.)

Addresses can be set using the hardware bits. Three programmable addresses are supported. 3-wire bus and standard I²C bus are switches by the voltage applied on the BUS-SW pin.

The power-on reset circuit is built in this product, and the detection voltage is designed about 1.4 V.

If it raises to voltage of operation after making it stop for a while near the voltage of a power-on reset circuit of operation at the time of starting of a power supply, a power-on reset circuit may not operate normally.

FUNCTION CHART

NAME	3-WIRE BUS MODE	I ² C BUS MODE
BUS-SW	[OPEN] or [V _{CC}]	[GND]
CL / SCL	CLOCK INPUT	SCL INPUT
DA / SDA	DATA INPUT	SDA IN / OUTPUT
EN / ADR	ENABLE INPUT	ADDRESS
$\overline{\text{LOCK}}$ / ADC	$\overline{\text{LOCK}}$	ADC

— 3-WIRE BUS COMMUNICATIONS CONTROL —

The 3-wire bus used normal 18-bit and 19-bit data (bandswitch information and programmable counter information) and 27-bit test data (charge pump current setting, reference frequency divider ratio setting, and testing item functions) are available.

The program frequency can be calculated together with normal data and test data.

$$f_{osc} = f_r \times N$$

f_{osc} : Program frequency

f_r : Phase comparator reference frequency (Step frequency)

N : Counter total ratio

(1) Normal data

Depending on the voltage (OPEN, VCC) applied on the BUS-SW pin and the transfer DATA bit length, the X'tal divider ratio setting, phase comparator reference frequency, and step frequency of the normal data are as shown in the table below.

NORMAL DATA FUNCTION TABLE

BUS-SW INPUT	TRANSFER DATA	X'TAL RATIO	REFERENCE FREQUENCY	STEP FREQUENCY
[Vcc]	18-bit	Cannot be set	←	←
[Vcc]	19-bit	1 / 80	50 kHz	50 kHz
[OPEN]	18-bit	1 / 64	62.5 kHz	62.5 kHz
[OPEN]	19-bit	1 / 128	31.25 kHz	31.25 kHz

Note 1: The step frequency at 4 MHz X'tal used

Note 2: During "OPEN", automatically set with transmitted bit length
(18↔19 possible)

Fig.3 Normal data format (18-bit transmission)

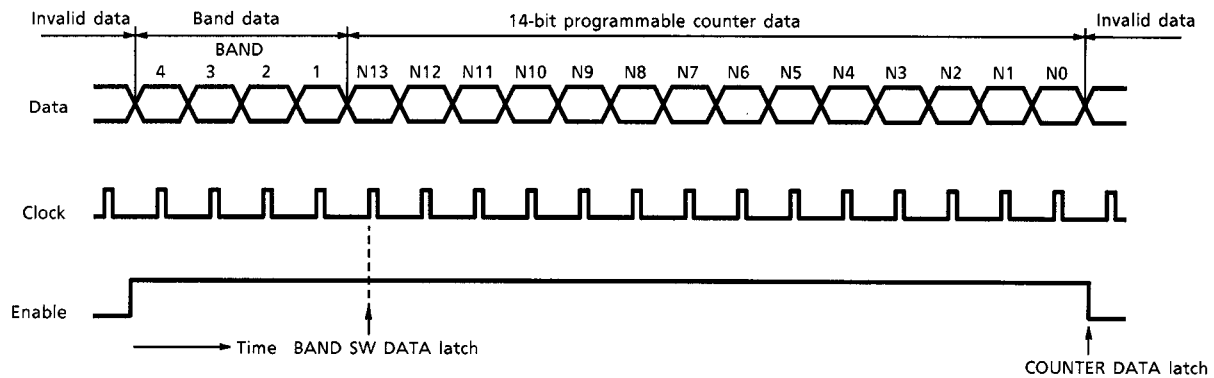
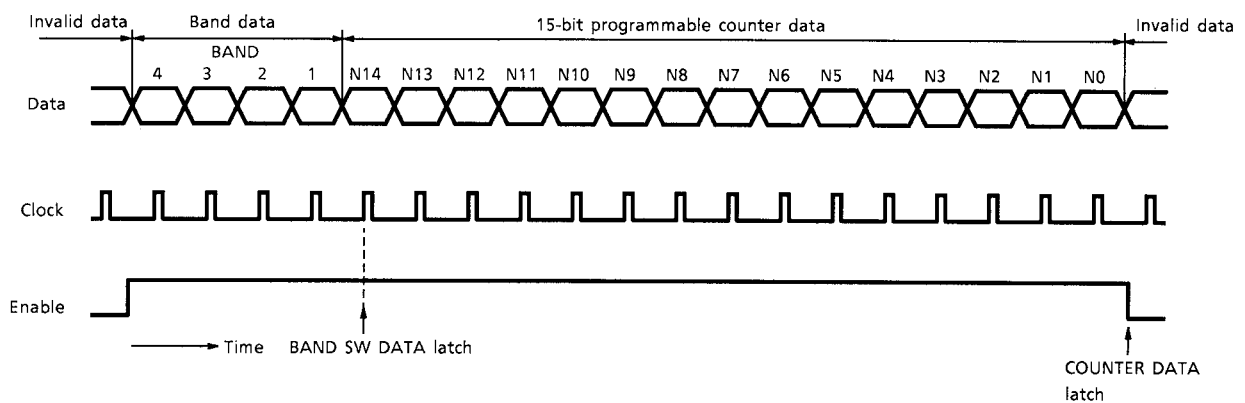


Fig.4 Normal data format (19-bit transmission)



- **18-bit DATA TRANSMISSION :**

During a high level of the enable signal, the data is clocked into the register on the falling edge of the clock.

The clock number during a high level of the enable signal must be set to 18-bit for the latch condition. (The number of clock rising edges is 18).

For latch timing, the first four bits, which control the bandswitch buffers, are loaded at the fifth rising edge of the clock, and the data is updated.

The programmed counter data transmits the 18-bit data, latched on the falling edge of the enable signal.

During 18-bit data transmission, “N14” programmable counter data is constantly set to [0] , and the phase comparator reference frequency divider ratio is automatically set to “1 / 64”.

Details of the data timing, see the data timing chart (Figure 1)

- **19-bit DATA TRANSMISSION :**

During a high level of the enable signal, the data is clocked into the register on the falling edge of the clock.

The clock number during a high level of the enable signal must be set to 19-bit for the latch condition. (The number of clock rising edge is 19).

For latch timing, the first four bits, which control the bandswitch buffers, are loaded at the fifth rising edge of the clock, and the data is updated.

The programmed counter data transmits the 19-bit data, latched on the falling edge of the enable signal.

During 19-bit data transmission, the phase comparator reference frequency divider ratio is automatically set to “1 / 80” or “1 / 128” in BUS-SW mode.

Details of the data timing, see the data timing chart (Figure 1)

(1) TEST MODE

In the test mode, the settings can be changed and the functions can be checked.

Change from the normal mode to the test mode with a 27-bit or more of clock and data transmission during a high level of the enable signal.

The data are latched at the 27th edge of the clock signal, validating the previous 27-bit data. The latch timing is the same as normal data.

The 4-bit bandswitch data are latched at the 5th bit rising edge of the clock signal, and the data is updated.

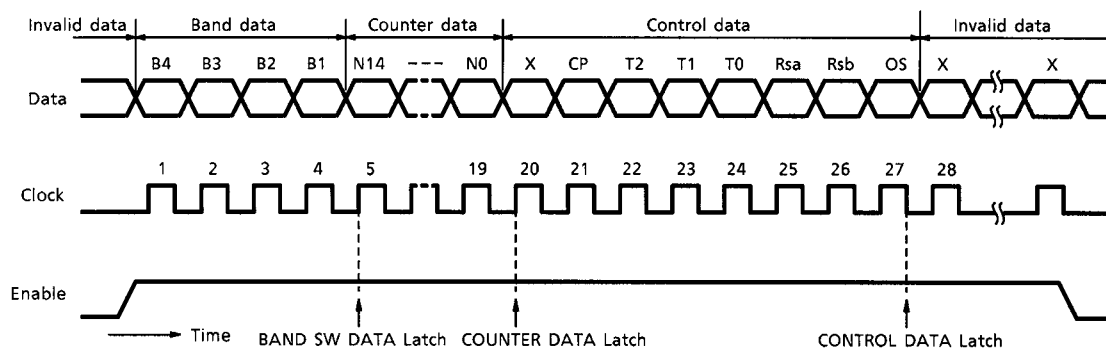
The programmable counter data are latched at the 20th bit rising edge of the clock signal, and the data is updated.

The test data are latched at the 27th bit falling edge of the clock signal, and the data is updated.

When the mode is changed from test to normal, RSa changes depending on the data bit length (18 or 19 bits, automatic discrimination). The data set in RSb in test mode are retained (see the table below).

REFERENCE FREQUENCY DIVIDER RATIO SETTING VIA TEST MODE	DATA TRANSMISSION LENGTH	SET REFERENCE FREQUENCY DIVIDER RATIO
1 / 64	18-bit	1 / 64
	19-bit	1 / 128
1 / 80	18-bit	1 / 80
	19-bit	1 / 80
1 / 128	18-bit	1 / 64
	19-bit	1 / 128

Fig.5 Test data format



Note: The data timing is the same as normal data.

TEST DATA SPECIFICATIONS

- B4~B1 : Band drive data
[0] : OFF
[1] : ON
- N14~N0 : Programmable divider data
- CP : Charge pump output current
[0] : ±60 μA (Typ.)
[1] : ±280 μA (Typ.)
- T2, T1, T0 : Test mode setting bits

CHARACTERISTIC	T2	T1	T0	NOTE
Normal operation	0	0	1	—
Reference signal output	1	0	0	Reference signal output : B4, Counter output : B2
1 / 2 counter divider output	1	0	1	Reference signal output : B4, 1 / 2 counter output : B2
Phase comparator test	0	0	0	Comparative signal input : DA Reference signal input : CL (check output : NF)

X : Don't care

Note: When testing the counter divider output, programmable counter data input is necessary.

- Rsa, Rsb : X'tal Reference frequency divider ratio select bits

RSa	RSb	DIVIDER RATIO	STEP FREQUENCY
1	1	1 / 64	62.5 k
0	1	1 / 128	31.25 k
X	0	1 / 80	50.0 k

X : Don't care

Note: When the mode is changed from test to normal, RSa changes depending on the data bit length (18 or 19 bits, automatic discrimination). The data set in RSb in test mode are retained.

- OS : Tuning amplifier control bit
[0] : Tuning amp ON (Normal operation)
[1] : Tuning amp OFF (Tr. Output is Low Level)
- X : Don't care

— I²C BUS COMMUNICATIONS CONTROL—

The TD7624AFN conform to standard I²C bus format.

The I²C bus mode enables two-way bus communications with the WRITE mode, which receives data, and READ mode, which status data.

WRITE and READ mode are set using the last bit (R / W bit) of the address byte.

If the last address bit is set to [0], WRITE mode is set ; if set to [1] READ mode is set.

Address can be set using the hardware bits. Three programmable address can be programmed.

With this setting, multiple frequency synthesizers can be used in the same I²C bus line.

The address for the hardware bit setting can be selected by applying voltage to the address setting pin (ADR : Pin 15). An address is selected according to the set bits.

When the correct address byte is received, during acknowledgment, serial data (SDA) line is "Low".

If WRITE mode is set at this time, when the data byte is programmed, the serial data (SDA) line is "Low" during the next acknowledgment.

a) WRITE mode (setting command)

When WRITE mode is set, Byte 1 segment the address data ; Bytes 2 and 3 segment the frequency data ; Byte 4 segment the divider ratio setting and function setting data ; and Byte 5 segment the output port data.

Data are latched and transferred at the end of Byte 3, Byte 4 and Byte 5.

Byte 2 and Byte 3 are latched and transferred is done with a two byte set (Byte 2 + Byte 3).

Once a correct address is received and acknowledged, the data type is determined according to [0] or [1] set in the first bit of the next byte. That is, if the first bit is [0], the data are frequency data ; if [1], function setting or output port data.

Until the I²C bus STOP CONDITION is detected, the additional data can be input without transmitting the address again. (Ex : Frequency sweep is possible with additional frequency data.)

If data transmission is aborted, data programmed before the abort are valid.

Byte 1 can set the hardware bit with address data.

The hardware bit is set with voltage applied to the address setting pin (ADR : Pin 15).

Bytes 2 and 3 are stored in the 15-bit shift register with counter data for the frequency setting, and control the 15-bit programmable counter ratio.

The program frequency can be calculated in the following formula :

$$f_{osc} = f_r \times N$$

f_{osc} : Program frequency

f_r : Phase comparator reference frequency (Step frequency)

N : Counter total ratio

f_r is calculated using the crystal oscillator frequency and the reference frequency divider ratio set in byte 4 (control byte). (f_r = X'tal oscillator frequency / reference frequency divider ratio)

The reference frequency divider ratio can be set to 1 / 64, 1 / 128 and 1 / 80.

When using a 4 MHz crystal oscillator, f_r = 62.5 kHz, 31.25 kHz and 50 kHz.

The step frequency are 62.5kHz, 31.25kHz, and 50kHz.

Byte 4 is a control byte used to set function. Bit 2 (CP) controls the output current of the charge-pump circuit. When bit 2 is set to [0] : the output current is set to ±60 μA ; when set to [1], ±280 μA.

Bit 3 (T₂), Bit 4 (T₁) and Bit 5 (T₀) are used to set test mode. They are used to set the phase comparator reference signal output, and counter divider output.

For details of test mode, see the test mode setting table.

Bit 6 (RSa) and Bit 7 (RSb) are used to set the X'tal reference frequency divider ratio.

For details of the X'tal reference frequency divider ratios, see the table for X'tal reference frequency divider ratios.

Bit 8 (OS) is used to set the charge-pump drive amplifier output setting. When bit 8 is set to [0] the output is ON (Normal Use) ; when set to [1] the output is OFF (Tr. Output is Low Level).

Byte 5 is used to set and control the output port (Bands 1~4).

When an output port set to [0] is OFF ; when set to [1] is ON.

Two output ports can be operation turned on, but be sure to keep the total output current under 50mA.

b) READ mode (status request)

When READ mode is set, power-on reset operation status, phase comparator lock detector output status, and 5-level A / D converter pin input voltage status are output to the master device.

Bit 1 (POR) indicates the power-on reset operation status. When the power supply of VCC1 stops, bit 1 is set to [1] . The condition for reset to [0] , voltage supplied to VCC1 is 3 V or higher, transmission is requested in READ mode, and the status is output. (when VCC1 is turned on, bit 1 is also set to [1] .)

Bit 2 (FL) indicates the phase comparator lock status. When locked, [1] is output ; when unlocked, [0] is output.

Bits 6, 7 and 8 (A₂, A₁, A₀) indicate the 5-level A / D converter status. The voltage applied to the A / D converter input pin (pin 12) is output through a 5-level resolution.

For the voltage applied on the A / D converter input pin, 5-level resolution, and the output bits, see the table.

(Ex : The AFT output voltage data can be given to the master device.)

DATA FORMAT

a) WRITE MODE

BYTE		MSB							LSB	
1	Address Byte	1	1	0	0	0	MA1	MA0	R / W=0	ACK
2	Divider Byte (1)	0	N14	N13	N12	N11	N10	N9	N8	ACK
3	Divider Byte (2)	N7	N6	N5	N4	N3	N2	N1	N0	ACK (L)
4	Control Byte	1	CP	T2	T1	T0	RSa	RSb	OS	ACK (L)
5	Band SW Byte	x	x	x	x	B4	B3	B2	B1	ACK (L)

× : DON'T Care
 ACK : Acknowledged
 (L) : Latch and transfer timing

b) READ MODE

BYTE		MSB							LSB	
1	Address Byte	1	1	0	0	0	MA1	MA0	R / W = 1	ACK
2	Status Byte	POR	FL	1	1	1	A2	A1	A0	—

ACK : Acknowledged

DATA SPECIFICATIONS

- MA1, MA0 : Programmable hardware address bits

ADDRESS PIN APPLIED VOLTAGE	MA1	MA0
0~0.1 V _{CC1}	0	0
0.4 V _{CC1} ~0.6 V _{CC1}	1	0
0~V _{CC1}	0	1
0.9 V _{CC1} ~V _{CC1}	1	1

- CP : Charge-pump output current setting
 [0] : ±60 μA (Typ.)
 [1] : ±280 μA (Typ.)

- T2, T1, T0 : Test mode setting

CHARACTERISTIC	T2	T1	T0	NOTE
Normal operation	0	0	1	—
Reference signal output	1	0	0	Reference signal output : B4, Counter output : B2
1 / 2 counter divider output	1	0	1	Reference signal output : B4, 1 / 2 counter output : B2
Phase comparator test	0	0	0	Comparative signal input : SDA Reference signal input : SCL (check output : NF)

Note: When testing the counter divider output, programmable counter data input is necessary.

- RSa, RSb : X'tal reference frequency divider ratio select bits

RSa	RSb	DIVIDER RATIO	STEP FREQUENCY
1	1	1 / 64	62.5 k
0	1	1 / 128	31.25 k
X	0	1 / 80	50.0 k

X : Don't care

- OS : Tuning amplifier control setting

[0] : Tuning amp ON (Normal operation)

[1] : Tuning amp OFF (Tr. Output is Low Level)

- POR : Power-on reset flag

[0] : Normal operation

[1] : Reset operation

- FL : Lock detect flag

[0] : Unlocked

[1] : Locked

- A2, A1, A0 : 5-level A / D converter status.

ADC PIN APPLIED VOLTAGE	A2	A1	A0
0.60 V _{CC1} ~V _{CC1}	1	0	0
0.45 V _{CC1} ~0.60 V _{CC1}	0	1	1
0.30 V _{CC1} ~0.45 V _{CC1}	0	1	0
0.15 V _{CC1} ~0.30 V _{CC1}	0	0	1
0~0.15 V _{CC1}	0	0	0

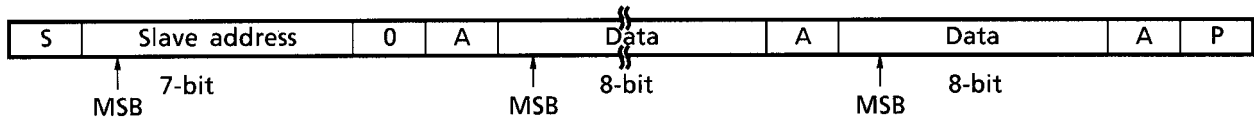
*: Accuracy is $\pm 0.03 \times V_{CC1}$

- X : DON'T Care

I²C BUS CONTROL SUMMARY

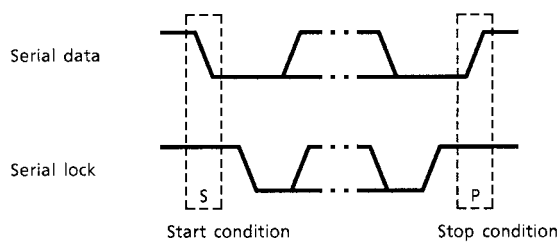
The bus control format of TD7624AFN conforms to the Philips I²C bus control format.

Data transmission format

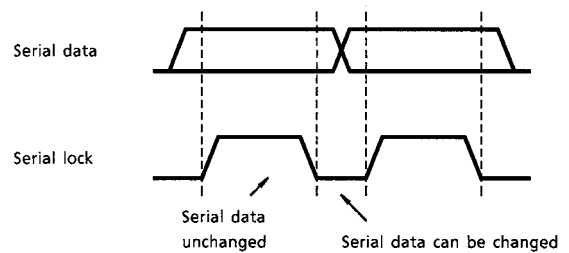


S : Start condition
 P : Stop condition
 A : Acknowledge

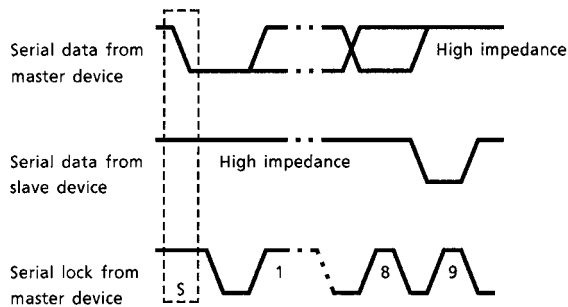
(1) Start / Stop condition



(2) Bit transfer



(3) Acknowledge



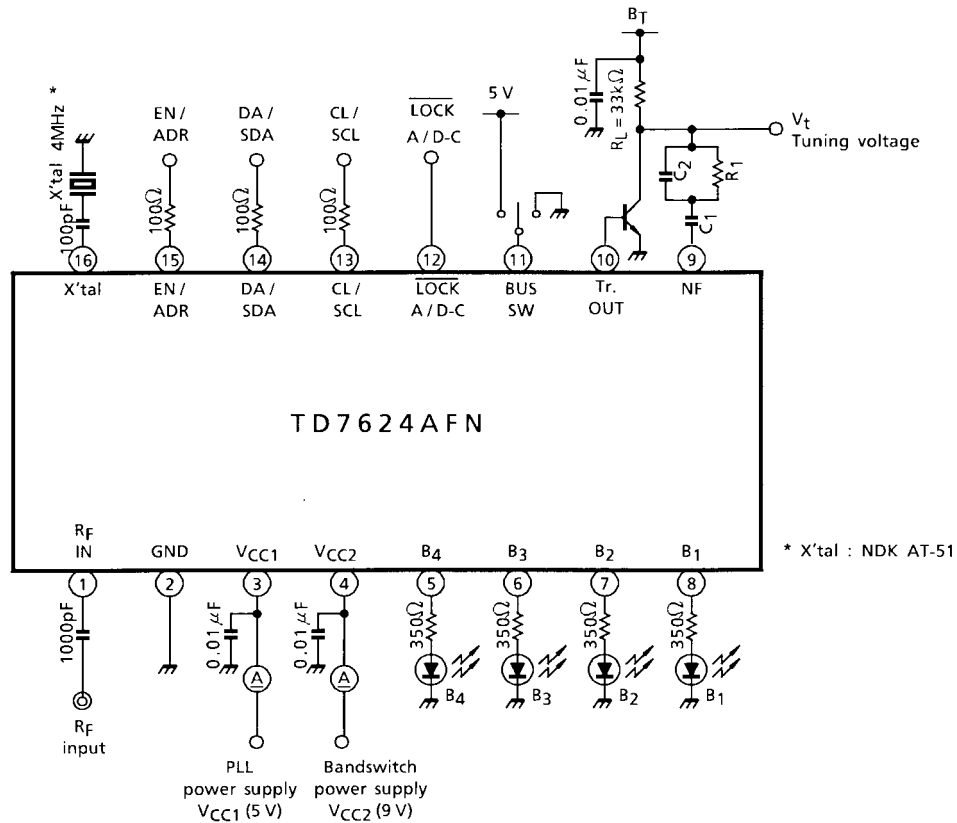
(4) Slave address

A ₆	A ₅	A ₄	A ₃	A ₂	A ₁	A ₀	R/ \bar{W}
1	1	0	0	0	*	*	0

Purchase of TOSHIBA I²C components conveys a license under the Philips I²C Patent Rights to use these components in an I²C system, provided that the system conforms to the I²C Standard Specification as defined by Philips.

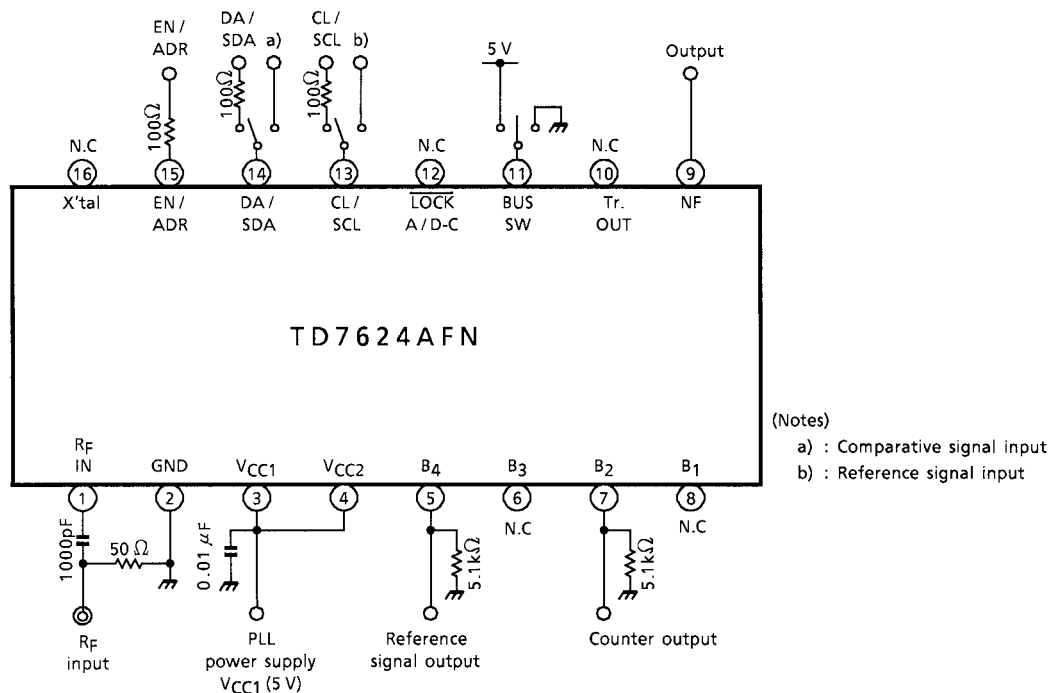
TEST CIRCUIT 1

Evaluation circuit board



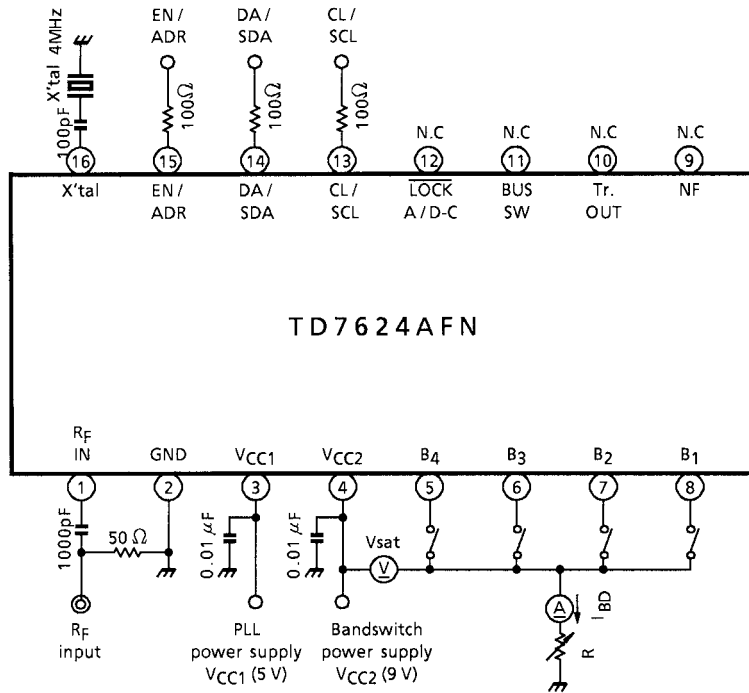
TEST CIRCUIT 2

Input sensitivity test circuit
Test mode circuit

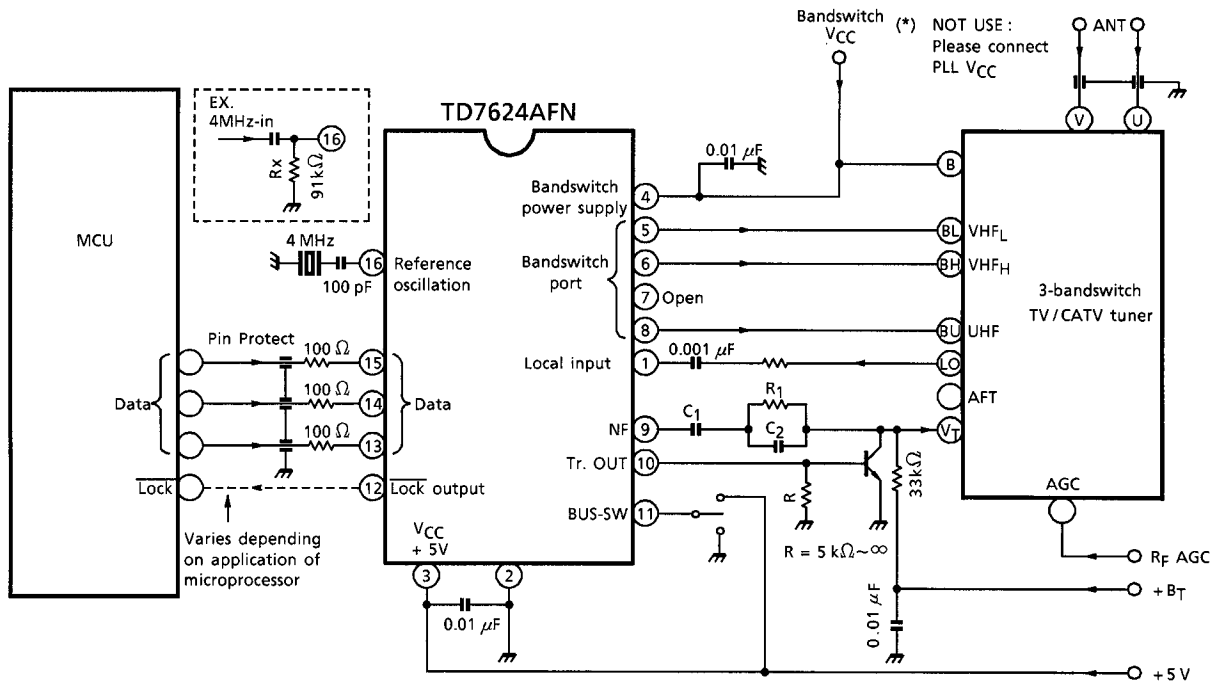


TEST CIRCUIT 3

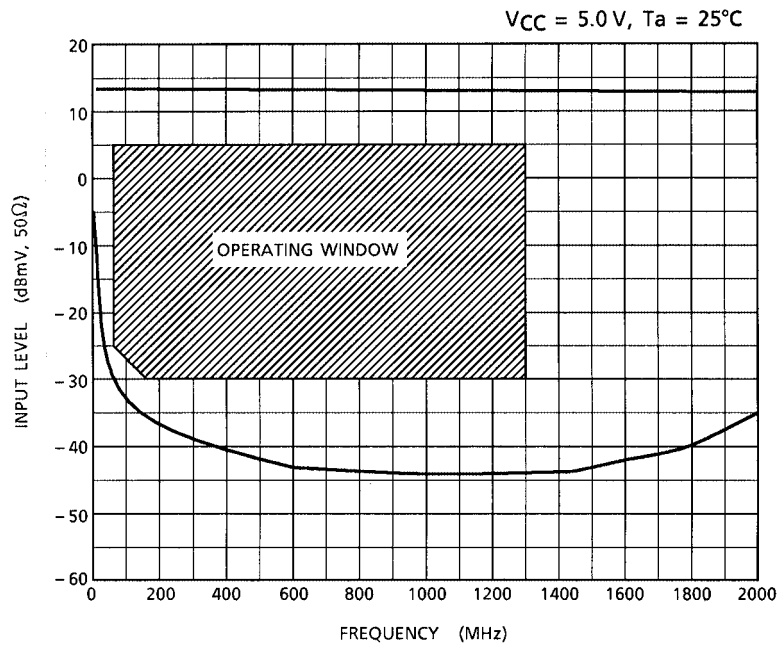
Bandswitch drive test circuit



SYSTEM APPLICATION DIAGRAM



TYPICAL INPUT SENSITIVITY CURVE



FILTER COMPONENT EXPRESSION

- C1 = $[K_v * I_{comp} / (2\pi)] / (\omega_n^2 * N)$
- R1 = $[2 * \epsilon] / (\omega_n * C1)$
- C2 = $1 / (2\pi * f_c * R1)$
- with :
- Kv = Oscillator control sensitivity (radian / Second / Volts)
- Icomp = Charge-pump current (A)
- ω_n = Natural radian frequency (radian / Second)
- N = Total counter ratio
- ϵ = Damping-factor (generally : dumping-factor is about 0.5~1.0)
- fc = filter cut-off frequency with combination resistor R1.
(generally : fc is about fr (reference frequency) / 20)

HANDLING PRECAUTIONS

1. The device should not be inserted into or removed from the test jig while the voltage is being applied: otherwise the device may be degraded or break down.

Do not abruptly increase or decrease the power supply to the device either. (See Figure 1.)

Overshoot or chattering of the power supply may cause the IC to be degraded.

To avoid this filters should be incorporated on the power supply line.

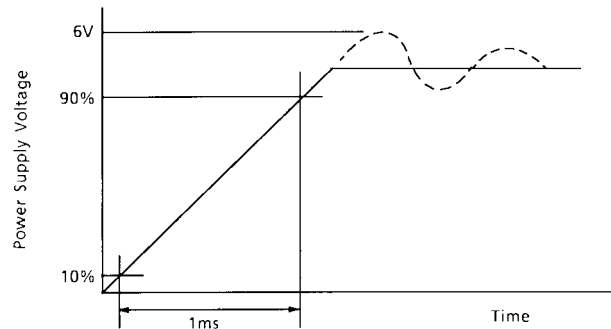


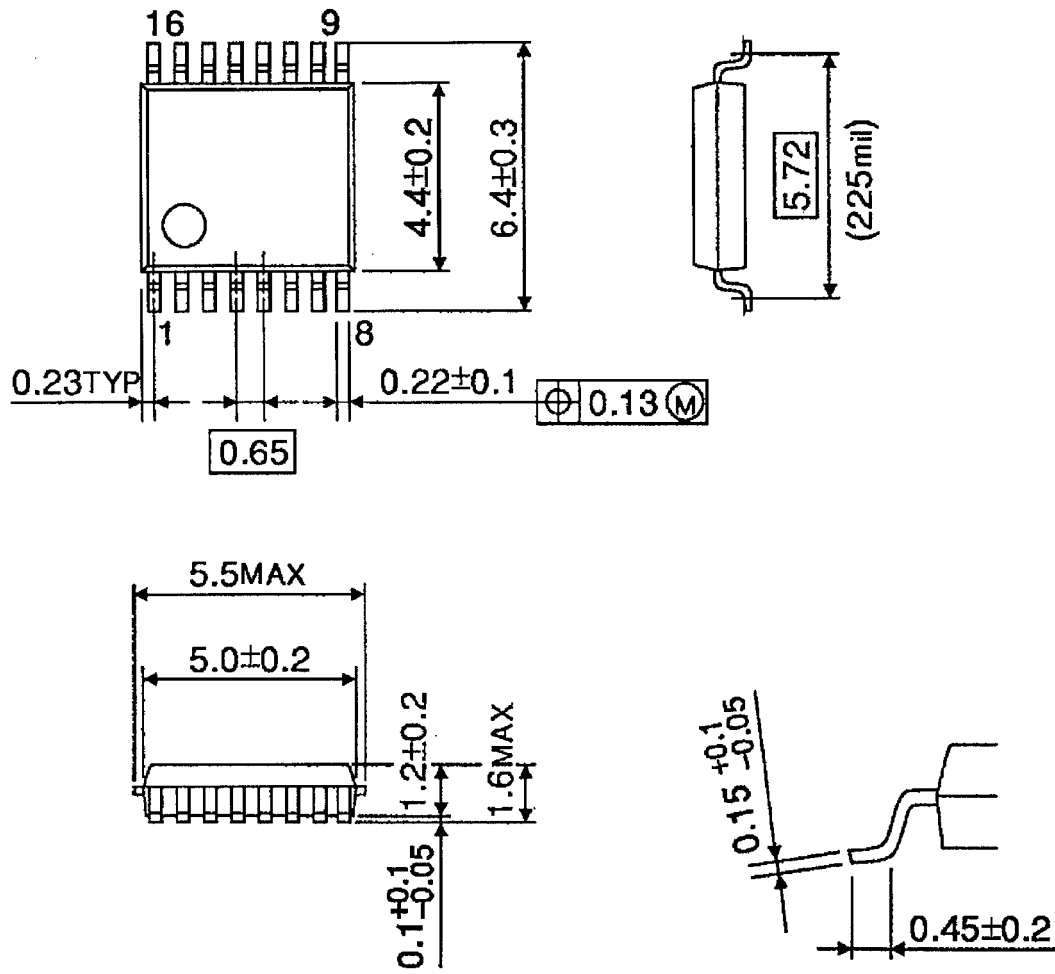
Figure 1

2. The peripheral circuits described in this datasheet are given only as system examples for evaluating the device's performance. Toshiba intend neither to recommend the configuration or related values of the peripheral circuits nor to manufacture such application systems in large quantities. Please note that high-frequency characteristics of the device may vary depending on the external components, mounting method and other factors relating to the application design. Therefore, the characteristics of application circuits must be evaluated at the responsibility of the users incorporating the device into their design. Toshiba only guarantee the quality and characteristics of the device as described in this datasheet and do not assume any responsibility for the customers application design.
3. In order to better understand the quality and reliability of Toshiba semiconductor products and to incorporate them into design in an appropriate manner, please refer to the latest Semiconductor Reliability Handbook (Integrated Circuits) published by Toshiba Semiconductor Company. The handbook can also be viewed online at <http://doc.semicon.toshiba.co.jp/noseek/us/sinrai/sinraifm.htm>.

PACKAGE DIMENSIONS

SSOP16-P-225-0.65B

Unit : mm



Weight: 0.07 g (Typ.)