

## TV SOUND POWER AMPLIFIER—TDA1030

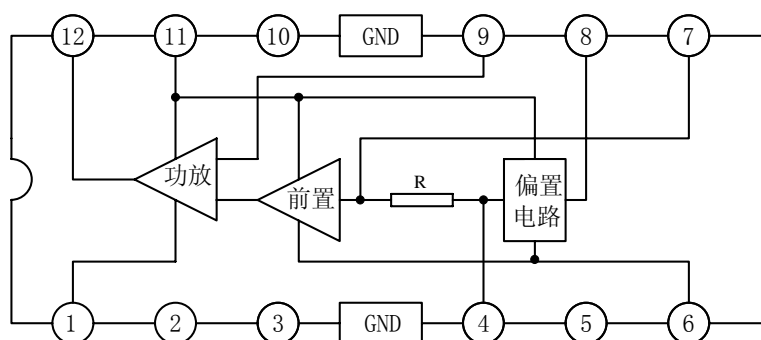
### DESCRIPTION

The TDA1030 is a monolithic integrated circuit designed for the TV sound power amplifier. It also can be used in audio power amplifier sets.

### FEATURES

- \*Wide operating voltage (9V to 25V)
- \* Few external components
- \*Fixed Closed Loop Gain
- \*High input impedance
- \*Built-in thermal protection circuit
- \*Fine ripple rejection characteristic

### BLOCK DIAGRAM



### ABSOLUTE MAXIMUM RATINGS (Tamb=25°C)

PARAMETER	SYMBOL	VALUE	UNIT
Supply Voltage	Vcc	9~25	V
Pulse Peak Output Current	Ios	3	A
Peak Output Current(continuously)	Ior	1.5	A
Operating Temperature	Topr	-25 to +75	°C
Storage Temperature	Tstg	-55 to +150	°C

### WuXi YouDa Electronics Co., Ltd

Add: No.5 Xijin Road, National Hi-Tech Industrial Development Zone, Wuxi Jiangsu China

Tel: 86-510-85205117 86-510-85205106 Fax: 86-510-5205110 Website: www.e-youda.com

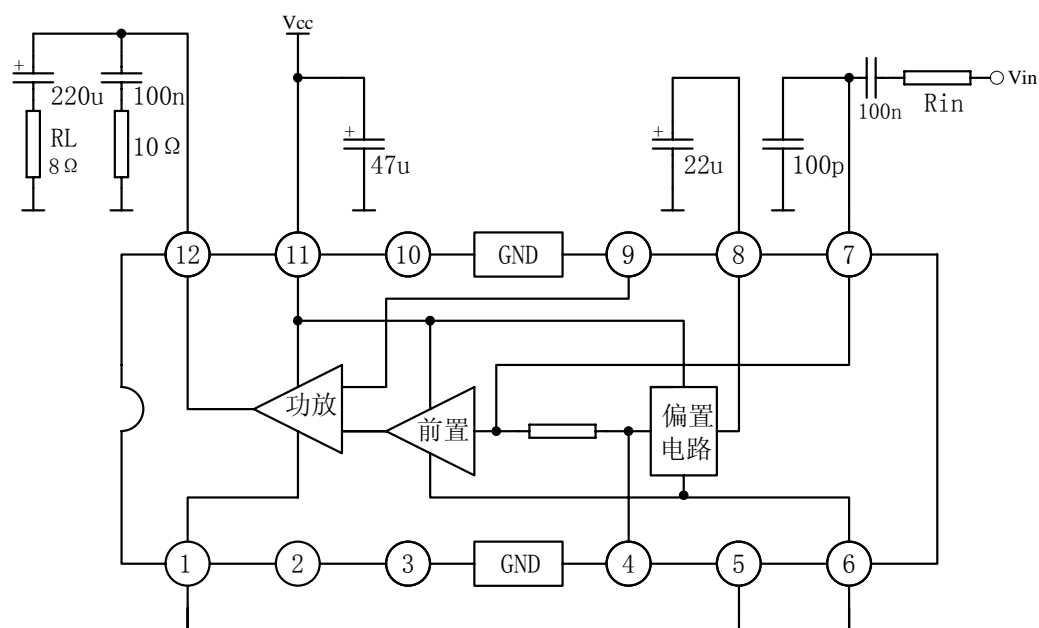
SHENZHEN OFFICE Tel: 86-755-83740369 Fax: 86-755-83741418

## ELECTRICAL CHARACTERISTICS

(Tamb=25°C, Vcc=18V, RL=8Ω, f=1kHz, Unless otherwise specified)

PARAMETER	SYMBOL	TEST CONDITIONS	MIN	TYP	MAX	UNIT
Quiescent Current	Icc	No input Signal	14	25	37	mA
Output Power	Po	THD=10%	3.8	4.0		W
		THD=1%	2.6	2.7		
		Vcc=15V, THD=10%	2.4	2.6		
		Vcc=15V, THD=1%	1.9	2.0		
Voltage Gain	Gv			40		dB
Total Harmonic Distortion	THD	Po=2W		0.3	0.6	%
Noise Output Voltage	Vno	Rg=5 kΩ, 60HZ~15KHz		0.2	0.5	mV
Input Impedance	Zi			45		kΩ
Supply Voltage Rejection	SVR	f=100Hz, Vr=0.5V		37		dB

## APPLICATION CIRCUIT



OUTLINE DRAWING

**12-DIPH-300**

