

# TDA6108AJF

Triple video output amplifier

Rev. 03 — 20 April 2005

Product data sheet

## 1. General description

The TDA6108AJF contains three video output amplifiers which are intended to drive the three cathodes of a color CRT. The device is contained in a plastic DIL-bent-SIL 9-pin medium power (DBS9MPF) package, and uses high-voltage DMOS technology.

To obtain maximum performance, the amplifier should be used with black-current control.

## 2. Features

- Typical bandwidth of 9.0 MHz for an output signal of 60 V (p-p)
- High slew rate of 1310 V/ $\mu$ s
- No external components required
- Very simple application
- Single supply voltage of 200 V
- Internal reference voltage of 2.5 V
- Fixed gain of 81
- Black-Current Stabilization (BCS) circuit with voltage window from 1.5 V to 6 V and current window from +100  $\mu$ A to -10 mA
- Thermal protection

## 3. Ordering information

Table 1: Ordering information

Type number	Package		
	Name	Description	Version
TDA6108AJF	DBS9MPF	plastic DIL-bent-SIL medium power package with fin; 9 leads	SOT111-1

**PHILIPS**

4. Block diagram

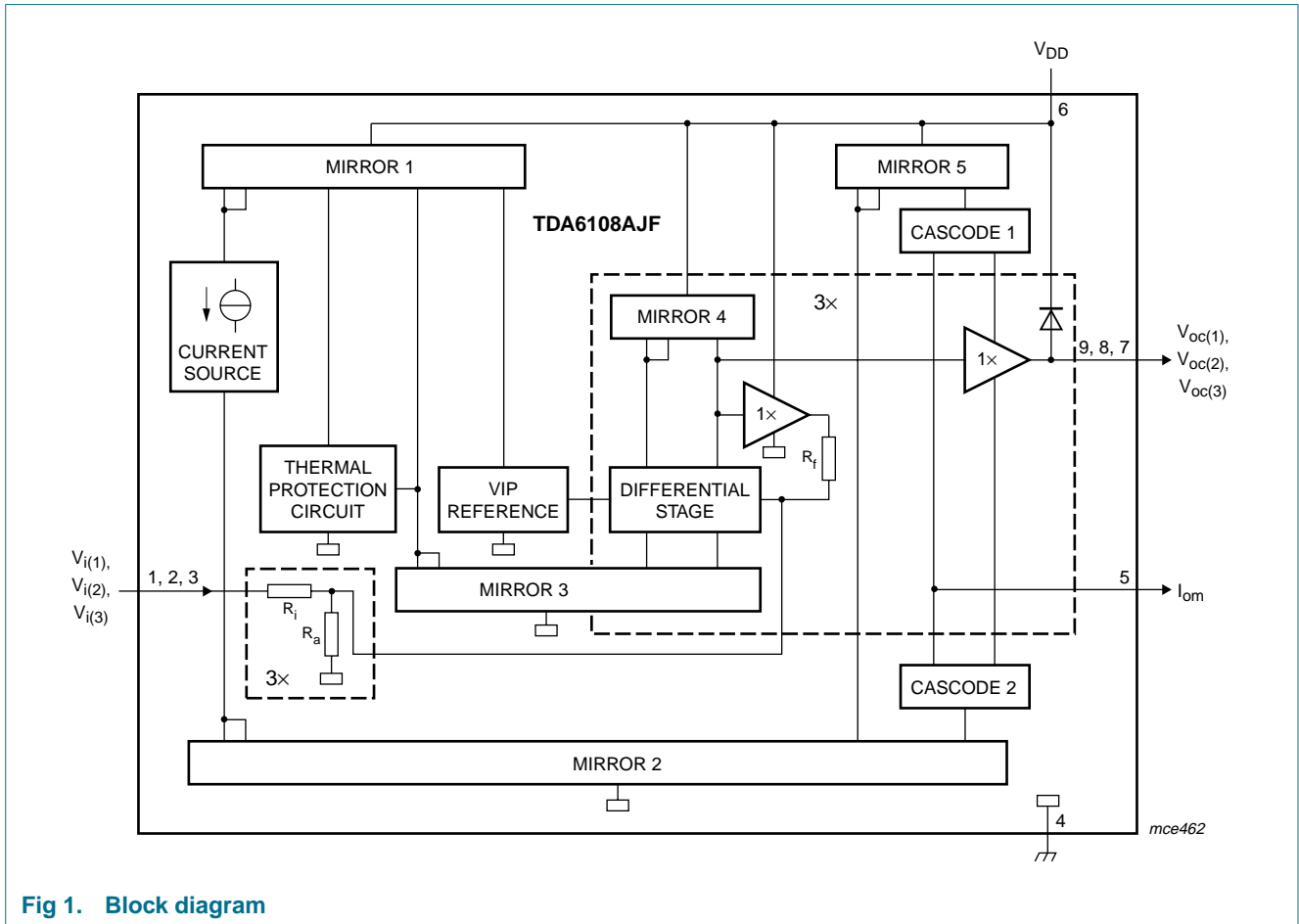
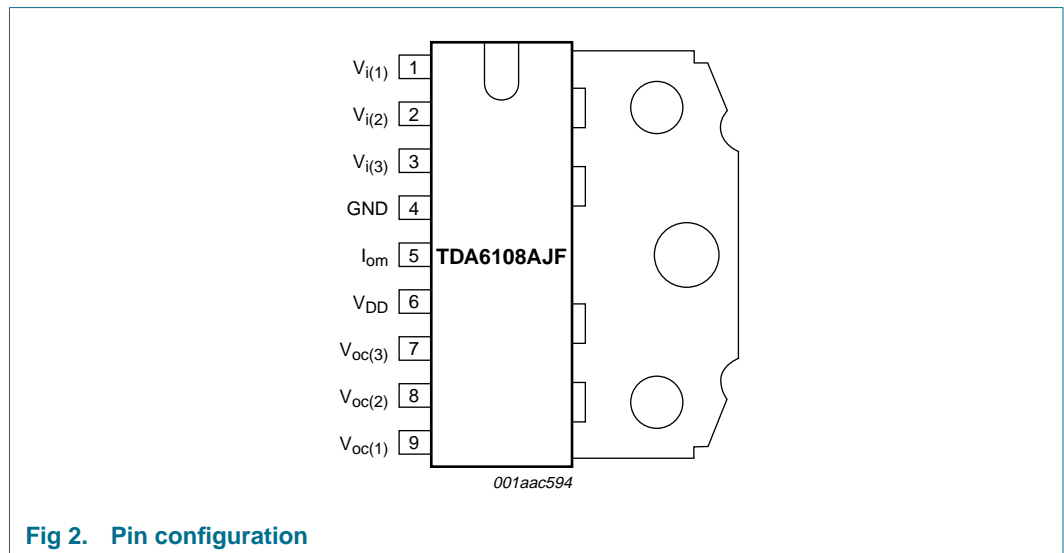


Fig 1. Block diagram

## 5. Pinning information

### 5.1 Pinning

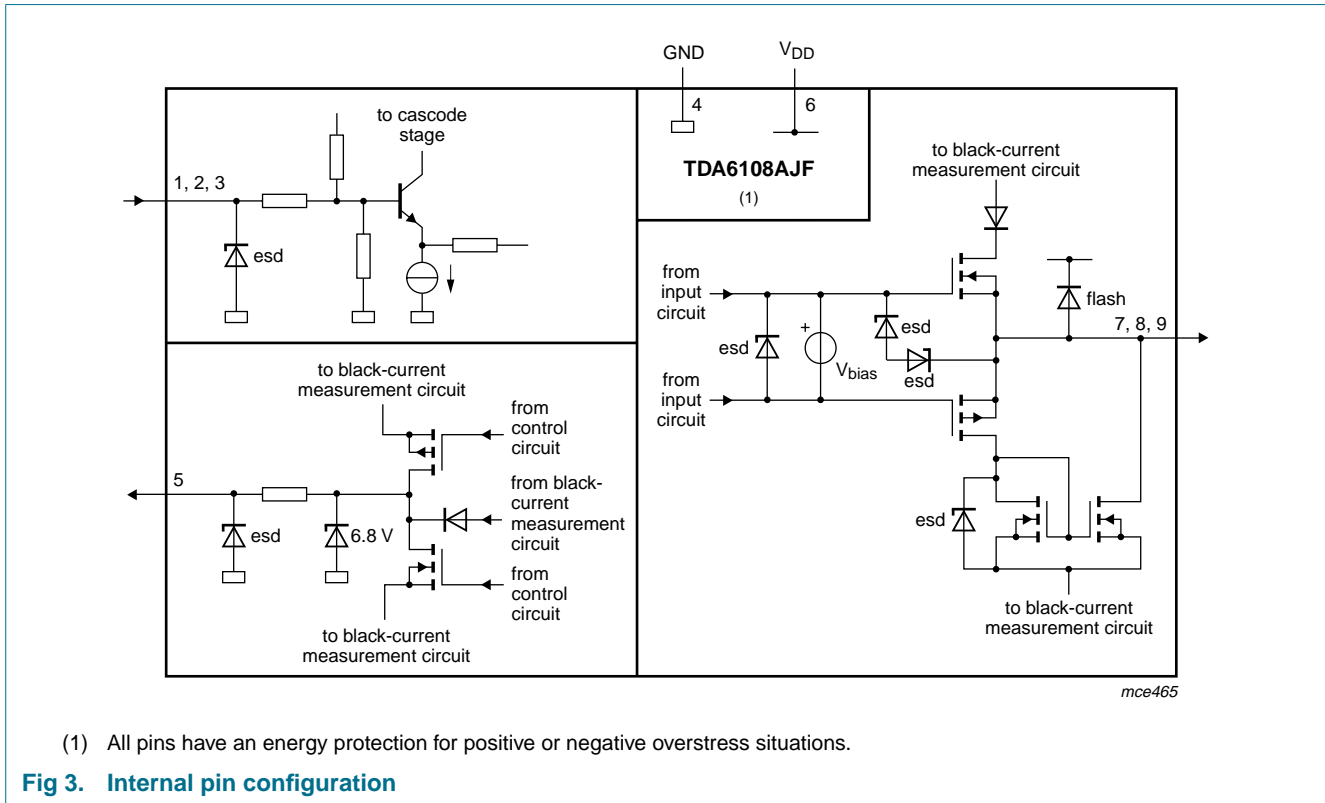


### 5.2 Pin description

Table 2: Pin description

Symbol	Pin	Description
$V_{i(1)}$	1	inverting input 1
$V_{i(2)}$	2	inverting input 2
$V_{i(3)}$	3	inverting input 3
GND	4	ground
$I_{om}$	5	black-current measurement output
$V_{DD}$	6	supply voltage
$V_{oc(3)}$	7	cathode output 3
$V_{oc(2)}$	8	cathode output 2
$V_{oc(1)}$	9	cathode output 1

### 6. Internal circuitry



### 7. Limiting values

**Table 3: Limiting values**

In accordance with the Absolute Maximum Rating System (IEC 60134).

Voltages measured with respect to ground; currents as specified in Figure 9; unless otherwise specified.

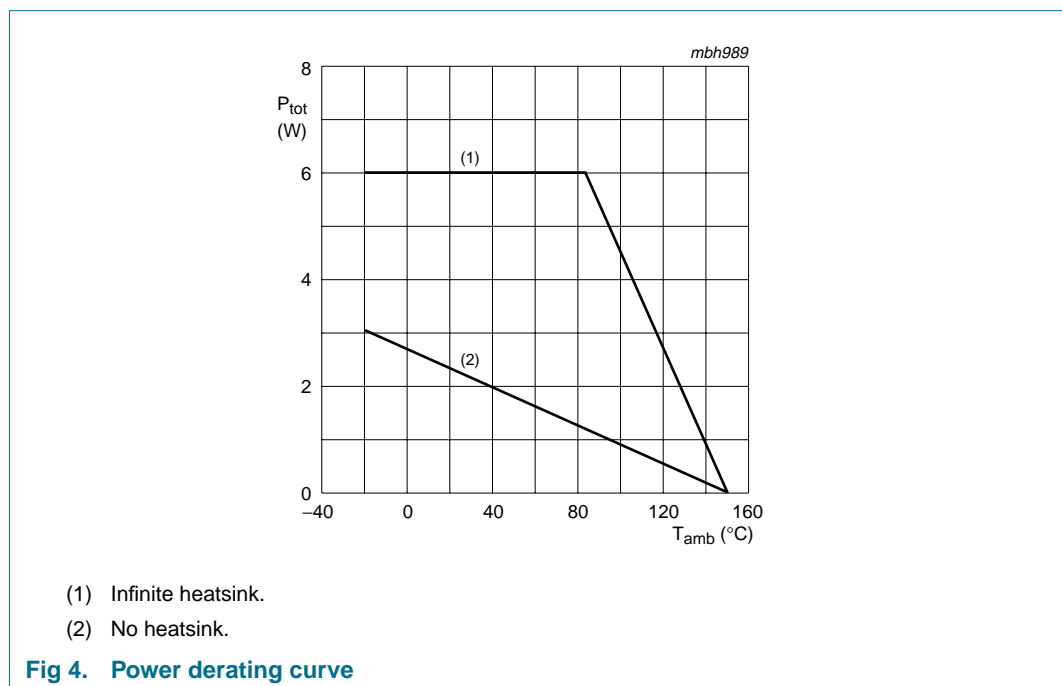
Symbol	Parameter	Conditions	Min	Max	Unit
$V_{DD}$	supply voltage		0	250	V
$V_i$	input voltage at pins $V_{i(1)}$ , $V_{i(2)}$ and $V_{i(3)}$		0	12	V
$V_{om}$	measurement output voltage		0	6	V
$ I_{om(average)} $	absolute value of mean current of measurement output (for three channels)	$V_{oc} = 0\text{ V to }V_{DD}$ ; $V_{om} = 1.5\text{ V to }6\text{ V}$	-	5.6	mA
$V_{oc}$	cathode output voltage		0	$V_{DD}$	V
$T_{stg}$	storage temperature		-55	+150	°C
$T_j$	junction temperature		-20	+150	°C
$V_{esd}$	electrostatic discharge voltage	Human Body Model (HBM)	-	±3000	V
		Machine Model (MM)	-	±300	V

## 8. Thermal characteristics

**Table 4: Thermal characteristics**

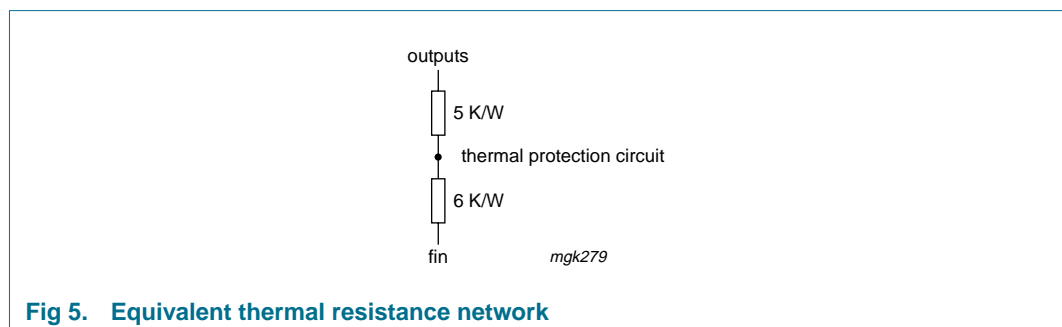
Symbol	Parameter	Conditions	Typ	Unit
$R_{th(j-a)}$	thermal resistance from junction to ambient	in free air	56	K/W
$R_{th(j-fin)}$	thermal resistance from junction to fin		[1] 11	K/W

[1] An external heatsink is necessary; see *Application Note AN10227-01*.



### 8.1 Thermal protection

The internal thermal protection circuit gives a decrease of the slew rate at high temperatures: 10 % decrease at 130 °C and 30 % decrease at 145 °C (typical values on the spot of the thermal protection circuit).



## 9. Characteristics

**Table 5: Characteristics**

Operating range:  $T_j = -20\text{ }^\circ\text{C}$  to  $+150\text{ }^\circ\text{C}$ ;  $V_{DD} = 180\text{ V}$  to  $210\text{ V}$ ; test conditions:  $T_{amb} = 25\text{ }^\circ\text{C}$ ;  $V_{DD} = 200\text{ V}$ ;  $V_{oc(1)} = V_{oc(2)} = V_{oc(3)} = 0.5V_{DD}$ ;  $C_L = 10\text{ pF}$  ( $C_L$  consists of parasitic and cathode capacitance);  $R_{th(h-a)} = 18\text{ K/W}$ ; measured in test circuit of [Figure 9](#); unless otherwise specified.

Symbol	Parameter	Conditions	Min	Typ	Max	Unit
$I_q$	quiescent supply current		7.9	9.4	10.8	mA
$V_{ref(int)}$	internal reference voltage (input stage)		-	2.5	-	V
$R_i$	input resistance		-	2.1	-	k $\Omega$
G	gain of amplifier		73	81	89	
$\Delta G$	gain difference		-4.2	0	+4.2	
PSRR	power supply rejection ratio	$f < 50\text{ kHz}$	[1]	65	-	dB
$\alpha_{ct(DC)}$	DC crosstalk between channels		-	-50	-	dB

### Measurement output pin $I_{om}$ ; $V_{oc} = V_{oc(min)}$ to $V_{oc(max)}$

$V_{om(clamp)}$	clamping voltage of measurement output		6	-	10	V
$I_{om(offset)}$	offset current of measurement output (for three channels)	$I_{oc} = 0\text{ }\mu\text{A}$ ; $V_{om} = 1.5\text{ V}$ to $6\text{ V}$	-50	-	+50	$\mu\text{A}$
$\Delta I_{om}/\Delta I_{oc}$	linearity of current transfer (for three channels)	$I_{oc} = -100\text{ }\mu\text{A}$ to $+100\text{ }\mu\text{A}$ ; $V_{om} = 1.5\text{ V}$ to $6\text{ V}$	-0.9	-1.0	-1.1	
		$I_{oc} = -100\text{ }\mu\text{A}$ to $+10\text{ mA}$ ; $V_{om} = 1.5\text{ V}$ to $4\text{ V}$	-0.9	-1.0	-1.1	

### Output pins $V_{oc(1)}$ , $V_{oc(2)}$ , $V_{oc(3)}$

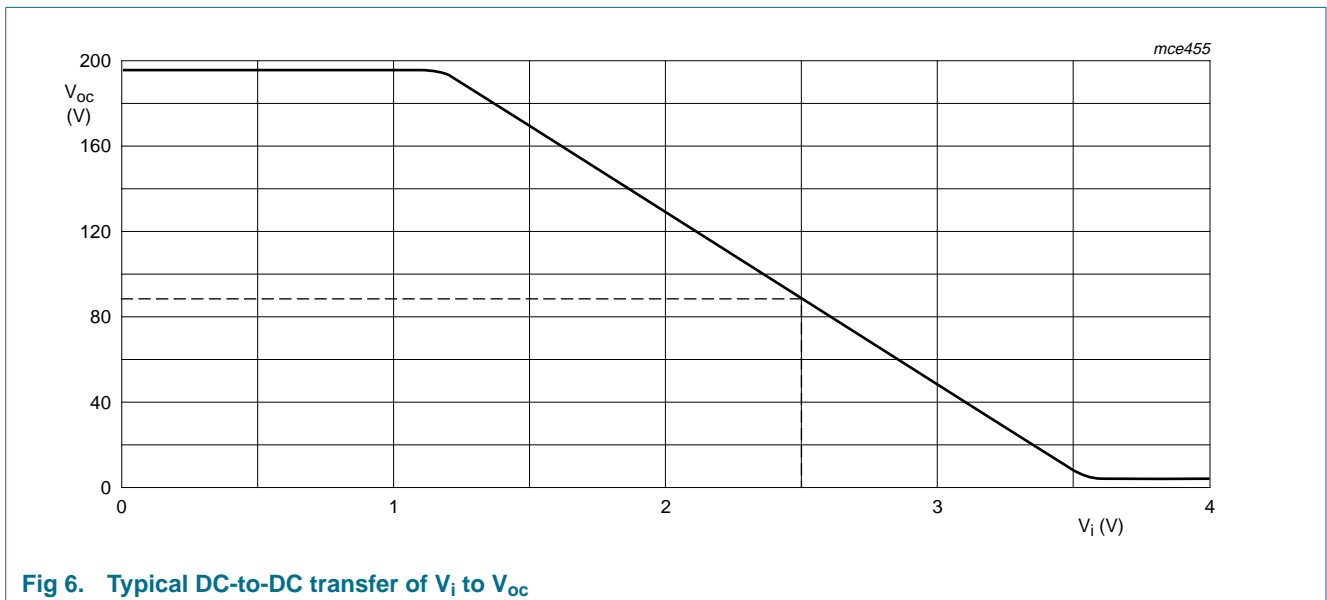
$V_{oc(DC)}$	DC output voltage	$I_i = 0\text{ }\mu\text{A}$	76	87	97	V	
$\Delta V_{oc(DC)(offset)}$	differential DC output offset voltage between two output pins	$I_i = 0\text{ }\mu\text{A}$	-5	0	+5	V	
$\Delta V_{oc(T)}$	output voltage temperature drift		-	10	-	mV/K	
$\Delta V_{oc(T)(offset)}$	differential output offset voltage temperature drift between two output pins		-	0	-	mV/K	
$I_{oc(max)}$	maximum peak output current	$V_{oc} = 50\text{ V}$ to $V_{DD} - 50\text{ V}$	-	28	-	mA	
$V_{oc(min)}$	minimum output voltage	$V_i = 4.5\text{ V}$ ; at $I_{oc} = 0\text{ mA}$	[2]	-	10	V	
$V_{oc(max)}$	maximum output voltage	$V_i = 0.5\text{ V}$ ; at $I_{oc} = 0\text{ mA}$	[2]	$V_{DD} - 15$	-	V	
$B_S$	small signal bandwidth	$V_{oc} = 60\text{ V}$ (p-p)	-	9.0	-	MHz	
$B_L$	large signal bandwidth	$V_{oc} = 100\text{ V}$ (p-p)	-	8.0	-	MHz	
$t_{oc(p)}$	cathode output propagation time 50 % input to 50 % output	$V_{oc} = 100\text{ V}$ (p-p) square wave	[3]	-	32	-	ns
$\Delta t_{oc(p)}$	difference in cathode output propagation time 50 % input to 50 % output (between two output pins)	$V_{oc} = 100\text{ V}$ (p-p) square wave	[3]	-10	0	+10	ns
$t_{oc(r)}$	cathode output rise time 10 % output to 90 % output	$V_{oc} = 50\text{ V}$ to $150\text{ V}$ square wave	[3]	35	50	70	ns
$t_{oc(f)}$	cathode output fall time 90 % output to 10 % output	$V_{oc} = 150\text{ V}$ to $50\text{ V}$ square wave	[3]	35	50	65	ns

**Table 5: Characteristics ...continued**

Operating range:  $T_j = -20\text{ }^\circ\text{C}$  to  $+150\text{ }^\circ\text{C}$ ;  $V_{DD} = 180\text{ V}$  to  $210\text{ V}$ ; test conditions:  $T_{amb} = 25\text{ }^\circ\text{C}$ ;  $V_{DD} = 200\text{ V}$ ;  $V_{oc(1)} = V_{oc(2)} = V_{oc(3)} = 0.5V_{DD}$ ;  $C_L = 10\text{ pF}$  ( $C_L$  consists of parasitic and cathode capacitance);  $R_{th(h-a)} = 18\text{ K/W}$ ; measured in test circuit of [Figure 9](#); unless otherwise specified.

Symbol	Parameter	Conditions	Min	Typ	Max	Unit
$t_{st}$	settling time input (50 %) to output (99 % to 101 %)	$V_{oc} = 100\text{ V}$ (p-p) square wave	[3] -	-	350	ns
SR	slew rate between 50 V to $V_{DD} - 50\text{ V}$	$V_{oc} = 2.5\text{ V}$ (p-p) square wave	[3] -	1310	-	V/ $\mu\text{s}$
$O_v$	cathode output voltage overshoot	$V_{oc} = 100\text{ V}$ (p-p) square wave	[3] -	10	-	%

- [1] The ratio of the change in supply voltage to the change in input voltage when there is no change in output voltage.
- [2] See [Figure 6](#) for the typical DC-to-DC transfer of  $V_i$  to  $V_{oc}$ .
- [3]  $f < 1\text{ MHz}$ ;  $t_r = t_f = 40\text{ ns}$  [pins  $V_{i(1)}$ ,  $V_{i(2)}$  and  $V_{i(3)}$ ] see [Figure 7](#) and [Figure 8](#).



**Fig 6. Typical DC-to-DC transfer of  $V_i$  to  $V_{oc}$**

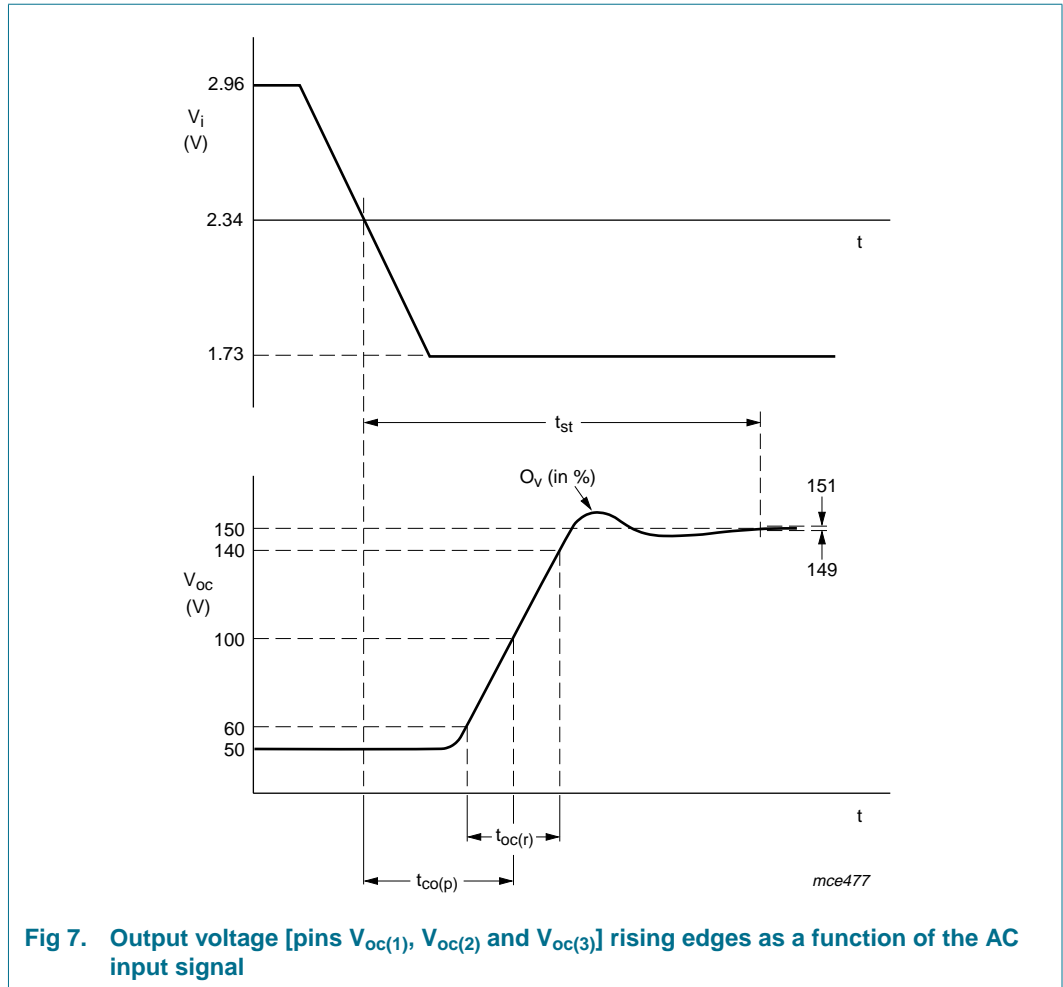


Fig 7. Output voltage [pins  $V_{oc(1)}$ ,  $V_{oc(2)}$  and  $V_{oc(3)}$ ] rising edges as a function of the AC input signal



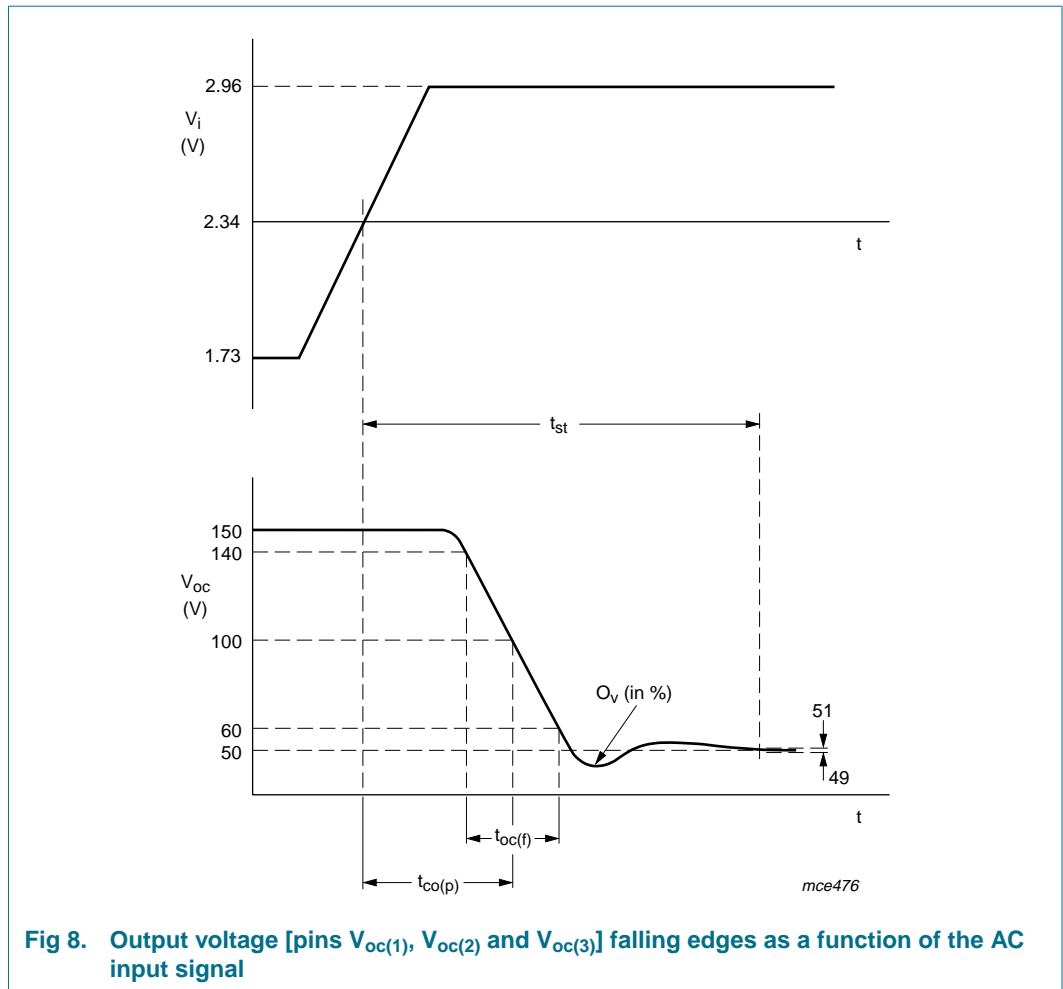


Fig 8. Output voltage [pins  $V_{oc(1)}$ ,  $V_{oc(2)}$  and  $V_{oc(3)}$ ] falling edges as a function of the AC input signal

## 10. Application information

### 10.1 Flashover protection

For sufficient flashover protection it is necessary to apply an external diode and 100  $\Omega$  resistor for each channel; see *Application Note AN10227-01*.

To limit the diode current an external 1 k $\Omega$  carbon high-voltage resistor in series with the cathode output and a 2 kV spark gap are needed (for this resistor value, the CRT has to be connected to the main PCB).

$V_{DD}$  must be decoupled to GND:

1. With a capacitor > 20 nF with good HF behavior (e.g. foil); this capacitor must be placed as close as possible to pins  $V_{DD}$  and GND and must be within 5 mm
2. With a capacitor > 3.3  $\mu$ F on the picture tube base print, depending on the CRT size.

## 10.2 Switch-off behavior

The switch-off behavior of the TDA6108AJF is controllable. This is because the output pins of the TDA6108AJF are still under control of the input pins for low power supply voltages (approximately 30 V and higher).

## 10.3 Bandwidth

The addition of the flash resistor produces a decreased bandwidth and increases the rise and fall times.

## 10.4 Dissipation

A distinction must first be made between static dissipation (independent of frequency) and dynamic dissipation (proportional to frequency).

The static dissipation of the TDA6108AJF is due to voltage supply currents and load currents in the feedback network and CRT.

The static dissipation  $P_{\text{stat}}$  equals:  $P_{\text{stat}} = V_{\text{DD}} \times I_{\text{DD}} + 3 \times V_{\text{oc}} \times I_{\text{oc}}$

Where:

$V_{\text{DD}}$  = supply voltage

$I_{\text{DD}}$  = supply current

$V_{\text{oc}}$  = DC value of cathode output voltage

$I_{\text{oc}}$  = DC value of cathode output current.

The dynamic dissipation  $P_{\text{dyn}}$  equals:  $P_{\text{dyn}} = 3 \times V_{\text{DD}} \times (C_{\text{L}} + C_{\text{int}}) \times f_{\text{i}} \times V_{\text{oc(p-p)}} \times \delta$

Where:

$C_{\text{L}}$  = load capacitance

$C_{\text{int}}$  = internal load capacitance ( $\approx 4$  pF)

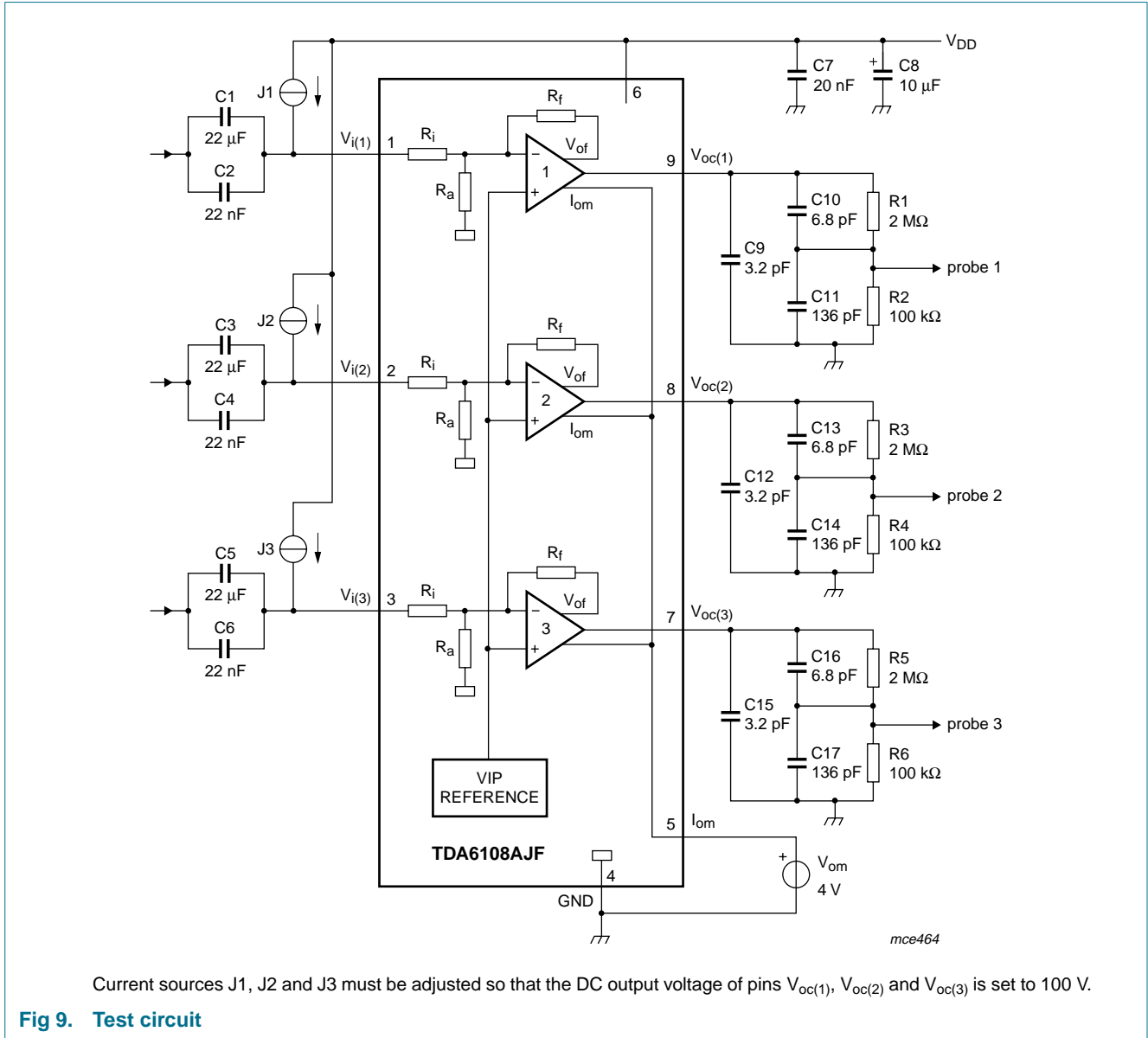
$f_{\text{i}}$  = input frequency

$V_{\text{oc(p-p)}}$  = cathode output voltage (peak-to-peak value)

$\delta$  = non-blanking duty factor.

The TDA6108AJF must be mounted on the picture tube base print to minimize the load capacitance.

11. Test information



11.1 Quality information

The *General Quality Specification for Integrated Circuits, SNW-FQ-611* is applicable.

12. Package outline

DBS9MPF: plastic DIL-bent-SIL medium power package with fin; 9 leads

SOT111-1

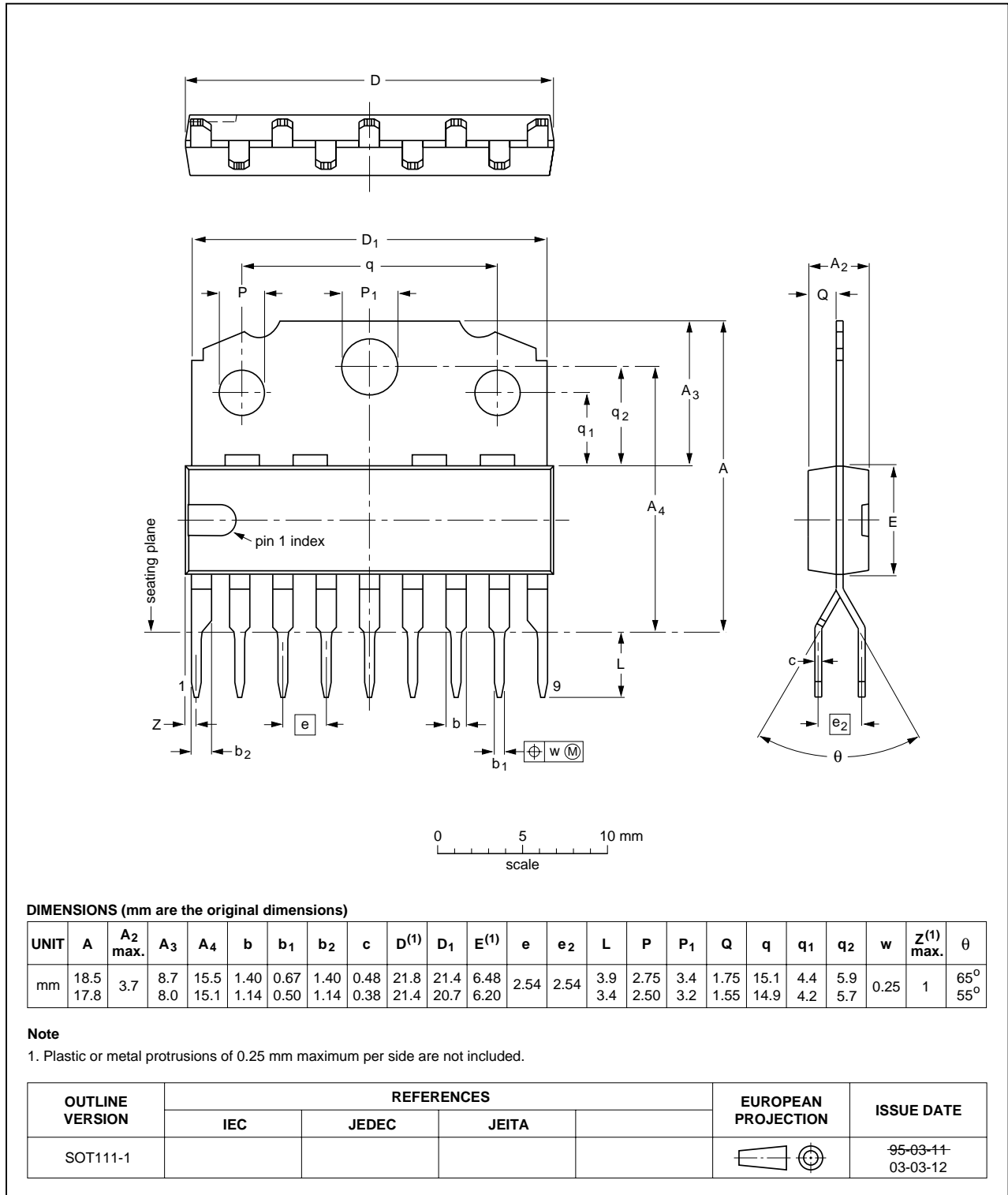


Fig 10. Package outline SOT111-1 (DBS9MPF)

## 13. Handling information

Inputs and outputs are protected against electrostatic discharge in normal handling. However, to be completely safe, it is desirable to take normal precautions appropriate to handling integrated circuits.

## 14. Soldering

### 14.1 Introduction to soldering through-hole mount packages

This text gives a brief insight to wave, dip and manual soldering. A more in-depth account of soldering ICs can be found in our *Data Handbook IC26; Integrated Circuit Packages* (document order number 9398 652 90011).

Wave soldering is the preferred method for mounting of through-hole mount IC packages on a printed-circuit board.

### 14.2 Soldering by dipping or by solder wave

Driven by legislation and environmental forces the worldwide use of lead-free solder pastes is increasing. Typical dwell time of the leads in the wave ranges from 3 seconds to 4 seconds at 250 °C or 265 °C, depending on solder material applied, SnPb or Pb-free respectively.

The total contact time of successive solder waves must not exceed 5 seconds.

The device may be mounted up to the seating plane, but the temperature of the plastic body must not exceed the specified maximum storage temperature ( $T_{stg(max)}$ ). If the printed-circuit board has been pre-heated, forced cooling may be necessary immediately after soldering to keep the temperature within the permissible limit.

### 14.3 Manual soldering

Apply the soldering iron (24 V or less) to the lead(s) of the package, either below the seating plane or not more than 2 mm above it. If the temperature of the soldering iron bit is less than 300 °C it may remain in contact for up to 10 seconds. If the bit temperature is between 300 °C and 400 °C, contact may be up to 5 seconds.

### 14.4 Package related soldering information

**Table 6: Suitability of through-hole mount IC packages for dipping and wave soldering methods**

Package	Soldering method	
	Dipping	Wave
CPGA, HCPGA	–	suitable
DBS, DIP, HDIP, RDBS, SDIP, SIL	suitable	suitable <a href="#">[1]</a>
PMFP <a href="#">[2]</a>	–	not suitable

[1] For SDIP packages, the longitudinal axis must be parallel to the transport direction of the printed-circuit board.

[2] For PMFP packages hot bar soldering or manual soldering is suitable.

## 15. Revision history

**Table 7: Revision history**

Document ID	Release date	Data sheet status	Change notice	Doc. number	Supersedes
TDA6108AJF_3	20050420	Product data sheet	-	9397 750 14729	TDA6108AJF_2
Modifications:	<ul style="list-style-type: none"> <li>The format of this data sheet has been redesigned to comply with the new presentation and information standard of Philips Semiconductors</li> </ul>				
TDA6108AJF_2	040630	Preliminary specification	-	9397 750 13498	TDA6108AJF_1
Modifications:	<ul style="list-style-type: none"> <li>In Features: change of slew rate</li> <li>In Limiting values; change to ESD</li> <li>In Characteristics; change of value for output measurement pin</li> <li>In Characteristics; change of value for slew rate and cathode output rise time</li> </ul>				
TDA6108AJF_1	030919	Preliminary specification	-	9397 750 11633	-

## 16. Data sheet status

Level	Data sheet status <sup>[1]</sup>	Product status <sup>[2]</sup> <sup>[3]</sup>	Definition
I	Objective data	Development	This data sheet contains data from the objective specification for product development. Philips Semiconductors reserves the right to change the specification in any manner without notice.
II	Preliminary data	Qualification	This data sheet contains data from the preliminary specification. Supplementary data will be published at a later date. Philips Semiconductors reserves the right to change the specification without notice, in order to improve the design and supply the best possible product.
III	Product data	Production	This data sheet contains data from the product specification. Philips Semiconductors reserves the right to make changes at any time in order to improve the design, manufacturing and supply. Relevant changes will be communicated via a Customer Product/Process Change Notification (CPCN).

[1] Please consult the most recently issued data sheet before initiating or completing a design.

[2] The product status of the device(s) described in this data sheet may have changed since this data sheet was published. The latest information is available on the Internet at URL <http://www.semiconductors.philips.com>.

[3] For data sheets describing multiple type numbers, the highest-level product status determines the data sheet status.

## 17. Definitions

**Short-form specification** — The data in a short-form specification is extracted from a full data sheet with the same type number and title. For detailed information see the relevant data sheet or data handbook.

**Limiting values definition** — Limiting values given are in accordance with the Absolute Maximum Rating System (IEC 60134). Stress above one or more of the limiting values may cause permanent damage to the device. These are stress ratings only and operation of the device at these or at any other conditions above those given in the Characteristics sections of the specification is not implied. Exposure to limiting values for extended periods may affect device reliability.

**Application information** — Applications that are described herein for any of these products are for illustrative purposes only. Philips Semiconductors make no representation or warranty that such applications will be suitable for the specified use without further testing or modification.

## 18. Disclaimers

**Life support** — These products are not designed for use in life support appliances, devices, or systems where malfunction of these products can reasonably be expected to result in personal injury. Philips Semiconductors customers using or selling these products for use in such applications do so at their own risk and agree to fully indemnify Philips Semiconductors for any damages resulting from such application.

**Right to make changes** — Philips Semiconductors reserves the right to make changes in the products - including circuits, standard cells, and/or software - described or contained herein in order to improve design and/or performance. When the product is in full production (status 'Production'), relevant changes will be communicated via a Customer Product/Process Change Notification (CPCN). Philips Semiconductors assumes no responsibility or liability for the use of any of these products, conveys no license or title under any patent, copyright, or mask work right to these products, and makes no representations or warranties that these products are free from patent, copyright, or mask work right infringement, unless otherwise specified.

## 19. Contact information

For additional information, please visit: <http://www.semiconductors.philips.com>

For sales office addresses, send an email to: [sales.addresses@www.semiconductors.philips.com](mailto:sales.addresses@www.semiconductors.philips.com)

## 20. Contents

<b>1</b>	<b>General description</b> .....	<b>1</b>
<b>2</b>	<b>Features</b> .....	<b>1</b>
<b>3</b>	<b>Ordering information</b> .....	<b>1</b>
<b>4</b>	<b>Block diagram</b> .....	<b>2</b>
<b>5</b>	<b>Pinning information</b> .....	<b>3</b>
5.1	Pinning .....	3
5.2	Pin description .....	3
<b>6</b>	<b>Internal circuitry</b> .....	<b>4</b>
<b>7</b>	<b>Limiting values</b> .....	<b>4</b>
<b>8</b>	<b>Thermal characteristics</b> .....	<b>5</b>
8.1	Thermal protection .....	5
<b>9</b>	<b>Characteristics</b> .....	<b>6</b>
<b>10</b>	<b>Application information</b> .....	<b>9</b>
10.1	Flashover protection .....	9
10.2	Switch-off behavior .....	10
10.3	Bandwidth .....	10
10.4	Dissipation .....	10
<b>11</b>	<b>Test information</b> .....	<b>11</b>
11.1	Quality information .....	11
<b>12</b>	<b>Package outline</b> .....	<b>12</b>
<b>13</b>	<b>Handling information</b> .....	<b>13</b>
<b>14</b>	<b>Soldering</b> .....	<b>13</b>
14.1	Introduction to soldering through-hole mount packages .....	13
14.2	Soldering by dipping or by solder wave .....	13
14.3	Manual soldering .....	13
14.4	Package related soldering information .....	13
<b>15</b>	<b>Revision history</b> .....	<b>14</b>
<b>16</b>	<b>Data sheet status</b> .....	<b>15</b>
<b>17</b>	<b>Definitions</b> .....	<b>15</b>
<b>18</b>	<b>Disclaimers</b> .....	<b>15</b>
<b>19</b>	<b>Contact information</b> .....	<b>15</b>



© Koninklijke Philips Electronics N.V. 2005

All rights are reserved. Reproduction in whole or in part is prohibited without the prior written consent of the copyright owner. The information presented in this document does not form part of any quotation or contract, is believed to be accurate and reliable and may be changed without notice. No liability will be accepted by the publisher for any consequence of its use. Publication thereof does not convey nor imply any license under patent- or other industrial or intellectual property rights.

Date of release: 20 April 2005  
Document number: 9397 750 14729

Published in The Netherlands