



8W DUAL BRIDGE AMPLIFIER-TDA7266SA

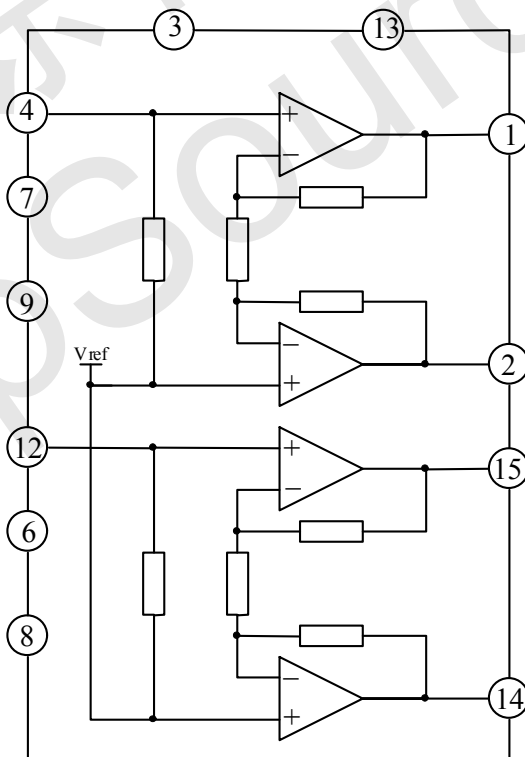
DESCRIPTION

The TDA7266SA is a dual bridge amplifier specially designed for LCD Monitor, PC Motherboard, TV and Portable Radio applications.

FEATURES

- WIDE SUPPLY VOLTAGE RANGE (3.5-18V)
- $P_o=8.0W \times 2$ ($V_{cc}=12V$, $R_L=8\Omega$, BTL, THD=10%)
- MINIMUM EXTERNAL COMPONENTS
- STAND-BY & MUTE FUNCTIONS
- SHORT CIRCUIT PROTECTION
- THERMAL OVERLOAD PROTECTION

BLOCK DIAGRAM





PIN FUNCTION

PIN NO.	FUNCTION	PIN NO.	FUNCTION
1	OUT1+	9	S-GND
2	OUT1-	10	N.C.
3	Vcc	11	N.C
4	IN1	12	IN2
5	N.C.	13	Vcc
6	MUTE	14	OUT2-
7	ST-BY	15	OUT2+
8	PW-GND	TAB	GND

ABSOLUTE MAXIMUM RATINGS (Tamb=25°C)

PARAMETER	SYMBOL	VALUE	UNIT
Supply Voltage	Vcc	20	V
Output Peak Current (internally limited)	IO	2	A
Power Dissipation	P _D	20	W
Operating Temperature	Topr	0~+70	°C
Storage Temperature	Tstg	-40~+150	°C

THERMAL DATA

PARAMETER	SYMBOL	VALUE	UNIT
Rth j-case	Thermal Resistance Junction-case	Typ = 1.8; Max. = 2.5	°C/W
Rth j-amb	Thermal Resistance Junction-ambient	48	°C/W



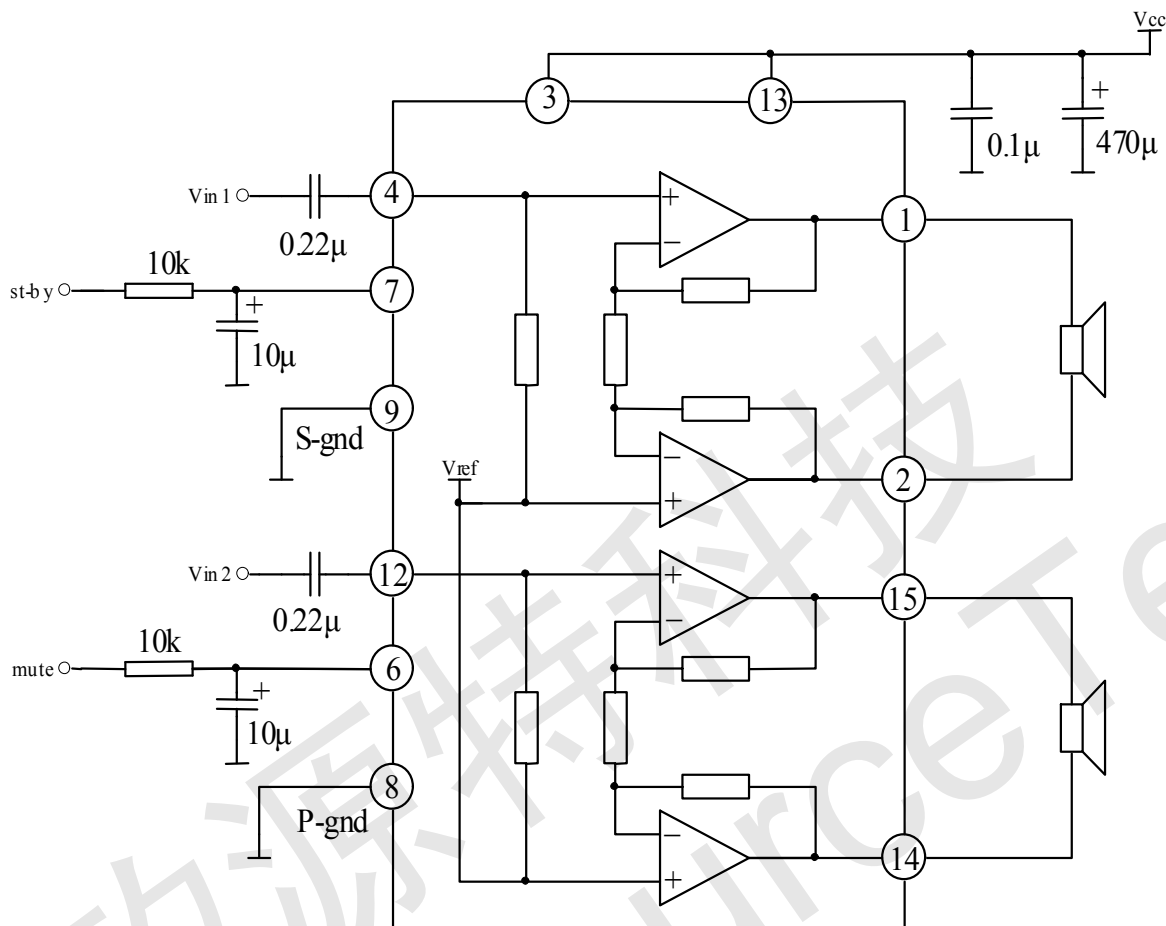
ELECTRICAL CHARACTERISTICS

(V_{cc}=12V, R_L=8Ω, R_g=600Ω, T_{amb}=25°C, Unless otherwise specified.)

Parameter	Symbol	Test Condition	Min.	Typ.	Max.	Unit
Supply Range	V _{cc}		3	12	18	V
Quiescent Current	I _{ccq}			50	65	mA
Output Offset Voltage	V _{os}				120	mV
Output Power	P _o	THD = 10%	7.5	8.0		W
		THD = 1%	6.0	6.5		
Total Harmonic Distortion	THD	P _o = 1W		0.05	0.2	%
Closed Loop Gain	G _v		25	26	27	dB
Voltage Gain Matching	ΔG _v				0.5	dB
Supply Voltage Rejection	SVR	f = 100Hz, V _R = 0.5V	40	56		dB
Crosstalk	CT		46	60		dB
A _{MUTE}	Mute Attenuation		60	80		dB
Thermal Muting	T _M			150		°C
Input Resistance	R _{in}		25	30		kΩ
V _{T MUTE}	Mute Threshold	for V _{cc} > 6.4V; V _o = -30dB	2.3	2.9	4.1	V
		for V _{cc} < 6.4V; V _o = -30dB	V _{cc} / 2 -1	V _{cc} / 2 -0.75	V _{cc} / 2 -0.5	V
V _{T ST-BY}	St-by Threshold		0.8	1.3	1.8	V
Quiescent Current @ Stand-by	I _{ccqstby}	St-by Current V ₆ = GND			100	μA



APPLICATION CIRCUIT



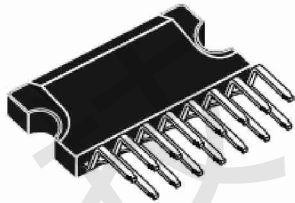


OUTLINE DRAWING

DIM.	mm			Inch		
	MIN.	TYP.	MAX.	MIN.	TYP.	MAX.
A			3.2			0.126
B			1.05			0.041
C		0.15			0.006	
D		1.55			0.061	
E	0.49		0.55	0.019		0.022
F	0.67		0.73	0.026		0.029
G	1.14	1.27	1.4	0.045	0.050	0.055
G1	17.57	17.78	17.91	0.692	0.700	0.705
H1		12			0.480	
H2		18.6			0.732	
H3	19.85			0.781		
L		17.95			0.707	
L1		14.45			0.569	
L2	10.7	11	11.2	0.421	0.433	0.441
L3		5.5			0.217	
M		2.54			0.100	
M1		2.54			0.100	

OUTLINE AND MECHANICAL DATA

Weight: 1.92gr



Clipwatt15

