



TDA7410ND

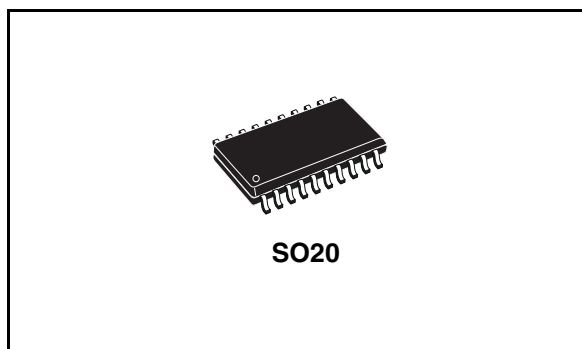
Signal processor for car radio applications

Features

- Device Includes Audio Processor, Stereo Decoder And Noiseblanker
- No External Components Required
- Fully Programmable Via I²C Bus
- Softstep Volume and Bass
- Low Distortion
- Low Noise
- SO20 Package

Description

TDA7410ND is a signal processor specifically designed for car radio applications. The device includes a complete audioprocessor and a stereo decoder with noiseblanker, stereoblend and all signal processing functions for car radio system.



Switched-capacitors design technique allows the users to enjoy these features without external components or adjustments. This means higher quality and reliability as well as overall cost saving.

The device is fully programmable by I²C bus interface allowing customization of key device parameters, especially filter characteristics..

Table 1. Device summary

Part number	Package	Packing
TDA7410ND	SO20	Tube
TDA7410NDTR	SO20	Tape and reel

Contents

1	Block diagram	6
2	Pins description and connection diagram	7
2.1	Connection diagram	7
2.2	Pin description	7
3	Audio Processor Part	8
4	Electrical Specification	9
4.1	Absolute maximum ratings	9
4.2	Supply	9
4.3	Electrical characteristics	9
5	Description of the audioprocessor part	11
5.1	Input matrix	11
5.2	AutoZero	11
5.3	Softstep Volume	12
5.4	Bass	12
5.5	DC Mode	13
5.6	Treble	13
5.7	Speaker Attenuator	14
5.8	Stereodecoder part	14
5.9	Noise blanker part	16
6	Description of stereodecoder	19
6.1	Input stages	19
6.2	Demodulator	19
6.3	Deemphasis and highcut	19
6.4	PLL and pilot tone detector	20
6.5	Fieldstrength control	20
6.6	LEVEL input and gain	20
6.7	Stereoblend control	20

6.8	Highcut Control	21
7	Functional description of the noiseblanker	22
7.1	Trigger path	22
7.2	Automatic noise controlled threshold adjustment (ATC)	22
7.3	Automatic threshold control	23
7.4	Over deviation detector	23
7.5	Test Mode	23
8	I²C bus specification	24
8.1	Interface protocol	24
8.2	Reset condition	24
9	Package information	32
10	Revision history	33

List of tables

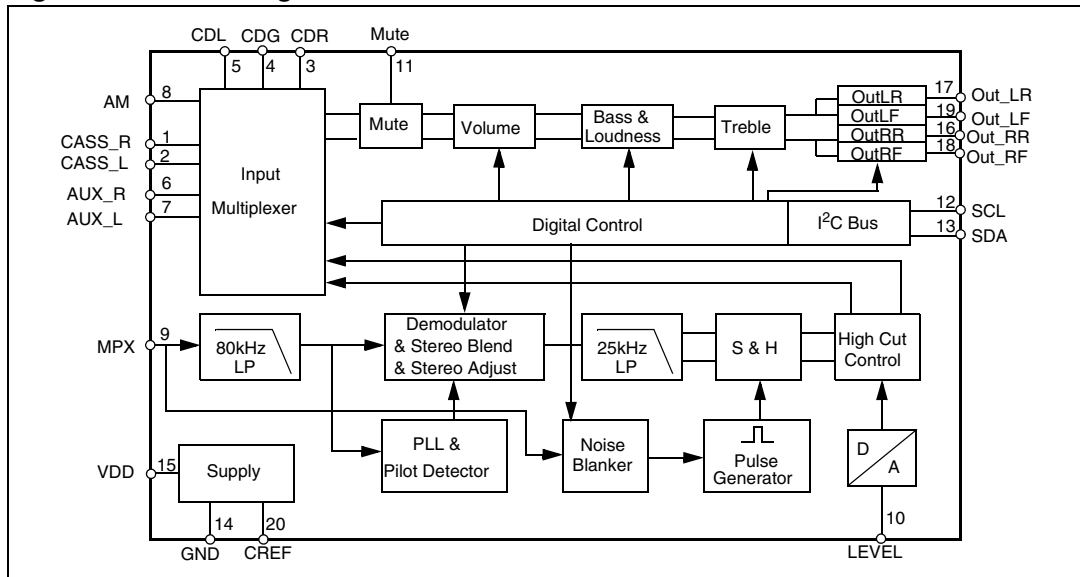
Table 1.	Device summary	1
Table 2.	Pins list	7
Table 3.	Absolute maximum ratings	9
Table 4.	Supply	9
Table 5.	Electrical characteristics	9
Table 6.	Stereodecoder electrical characteristics	14
Table 7.	Noise blanker electrical characteristics	16
Table 8.	Receive mode	24
Table 9.	Transmission mode	24
Table 10.	Reset condition	24
Table 11.	Subaddress (Receive mode)	25
Table 12.	Source selector (0)	26
Table 13.	Volume Control (1)	26
Table 14.	Speaker attenuation (2, 3, 4, 5)	27
Table 15.	Treble / Level gain (6)	27
Table 16.	Stereodecoder adjustment (7)	28
Table 17.	Noise blanker adjustment (8)	28
Table 18.	Fieldstrength Control (9)	29
Table 19.	Test (10)	30
Table 20.	Bass (11)	31
Table 21.	Softstep Control (12)	31
Table 22.	Document revision history	33

List of figures

Figure 1.	Block diagram	6
Figure 2.	Connection diagram	7
Figure 3.	Input Stage	11
Figure 4.	Soft Step Timing	12
Figure 5.	Bass control	12
Figure 6.	Bass normal and DC mode.	13
Figure 7.	Treble Control	13
Figure 8.	Vn timing diagram	17
Figure 9.	Trigger Threshold vs. V_{PEAK}	17
Figure 10.	Deviation Controlled Trigger Adjustment	17
Figure 11.	Fieldstrength Controlled Trigger Adjustment	18
Figure 12.	Block diagram of the stereodecoder	19
Figure 13.	Internal stereoblend characteristics	20
Figure 14.	Relation between internal and external LEVEL voltage and setup of Stereoblend	21
Figure 15.	Highcut characteristics	21
Figure 16.	Block diagram of the noiseblender	22
Figure 17.	Application Example	23
Figure 18.	SO20 Mechanical data and package dimensions.	32

1 Block diagram

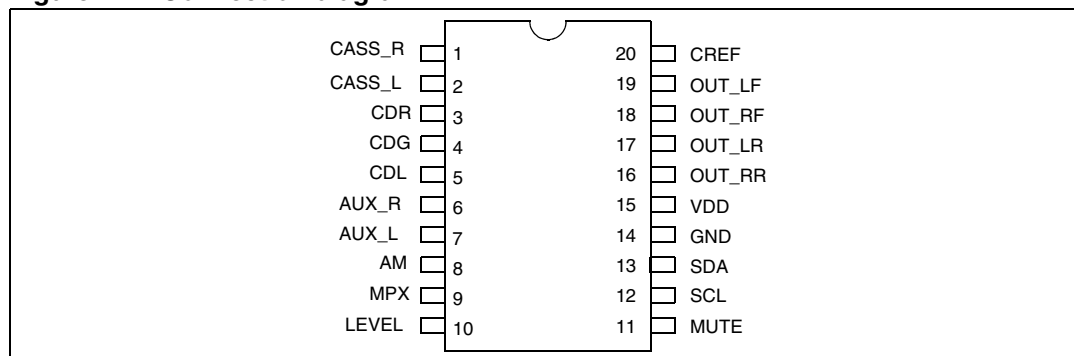
Figure 1. Block diagram



2 Pins description and connection diagram

2.1 Connection diagram

Figure 2. Connection diagram



2.2 Pin description

Table 2. Pins list

N°	Pin #	Function	Type
1	CASS_R	Cassette Input Right	I
2	CASS_L	Cassette Input Left	I
3	CDR	CD Right Channel Input	I
4	CDG	Ground reference CD	I
5	CDL	CD Left Channel Input	I
6	AUX_R	Aux Input Right	I
7	AUX_L	Aux Input Left Channel	I
8	AM	AM input	I
9	MPX	FM Input (MPX)	I
10	LEVEL	Level Input Stereodecoder	I
11	MUTE	Mute	I
12	SCL	I ² C Clock Line	I
13	SDA	I ² C Data Line	I/O
14	GND	Supply Ground	S
15	VDD	Supply Voltage	S
16	OUT_RR	Right Rear Speaker Output	O
17	OUT_LR	Left Rear Speaker Output	O
18	OUT_RF	Right Front Speaker Output	O
19	OUT_LF	Left Front Speaker Output	O
20	CREF	Reference Capacitor Pin	O

Pin Type:

I = input

O = Output

I/O = Input/Output

S = Supply

3 Audio Processor Part

Input Multiplexer

- Quasi-differential CD
- Cassette stereo and Aux stereo input
- AM mono and MPX
- Input gain stage with auto zero function

Volume Control

- 1dB attenuator
- Max. gain 32dB
- Max. attenuation 79dB
- Softstep function

Treble

- 2nd order frequency response
- Fixed center frequency 12.5kHz
- 7x2dB steps

Bass Control

- 2nd order frequency response
- Fixed center frequency 100Hz
- DC gain programmable
- 7x 2dB steps
- Softstep function

Speaker control

- 4 independent speaker controls (control range 50dB)
- Speaker mute

Mute functions

- Direct mute
- Mute by I²C

4 Electrical Specification

4.1 Absolute maximum ratings

Table 3. Absolute maximum ratings

Symbol	Parameter	Value	Unit
$R_{th-j\ pins}$	Thermal resistance junction-pins	85	°C/W
V_S	Operating supply voltage	10.5	V
T_{amb}	Operating ambient temperature	-40 to 85	°C
T_{stg}	Storage temperature range	-55 to 150	°C
V_{ESD}	ESD protection (Human Body Model)	±2000	V
V_{ESD}	ESD protection (Machine Model)	±200	V
V_{ESD}	ESD protection (Change Device Model)	±750	V

4.2 Supply

Table 4. Supply

Symbol	Parameter	Test Condition	Min	Typ	Max	Unit
V_{DD}	Supply voltage		7.5	8.5	10	V
I_{DD}	Supply current	$V_{DD} = 8.5V$	15	20	25	mA

4.3 Electrical characteristics

Table 5. Electrical characteristics

$V_S = 8.5V$; $T_{amb} = 25^\circ C$; $R_L = 10k\Omega$; all gains = 0dB; $f = 1kHz$; unless otherwise specified

Symbol	Parameter	Test Condition	Min.	Typ.	Max.	Unit
Input selector						
R_{in}	Input resistance	All single ended inputs	70	100	130	k Ω
V_{CL}	Clipping level	CASS, CD, AUX input		2		V_{RMS}
		AM, MPX input		1.4		V_{RMS}
G_{IN_MIN}	Min. input gain			0		dB
G_{IN_MAX}	Max. input gain			15		dB
G_{STEP}	Step resolution			1		dB
Differential stereo inputs						
R_{in}	Input resistance	Differential	70	100	130	k Ω
CMRR	Common mode rejection ratio	$V_{CM}=1 V_{RMS}$ @ 1kHz	40	50		dB
Volume control						

Electrical Specification

TDA7410ND

Table 5. Electrical characteristics (continued)

 $V_S = 8.5V$; $T_{amb} = 25^\circ C$; $R_L = 10k\Omega$; all gains = 0dB; $f = 1kHz$; unless otherwise specified

Symbol	Parameter	Test Condition	Min.	Typ.	Max.	Unit
G_{MAX}	Max gain			32		dB
A_{MAX}	Max attenuation		-83	-79	-75	dB
A_{STEP}	Step resolution		-0.5	1	1.5	dB
E_A	Attenuation set error	$G = -20$ to $+15$ dB		0		dB
		$G = -79$ to -20 dB	-4	0	3	dB
E_T	Tracking error				2	dB
V_{DC}	DC steps	Adjacent attenuation steps		0.1	3	mV
		From 0dB to G_{MIN}		0.5	5	mV
Bass control						
F_C	Center frequency	f_C	90	100	110	Hz
		Q	1.3	1.5	1.7	
C_{RANGE}	Control range		± 13	± 14	± 15	dB
A_{STEP}	Step resolution		1	2	3	dB
DC_{GAIN}	Bass-DC-gain	DC = off	-1	0	1	dB
		DC = on	3.5	4.4	5.5	dB
Treble control						
C_{RANGE}	Clipping level		± 13	± 14	± 15	dB
A_{STEP}	Step resolution		1	2	3	dB
f_C	Center frequency	f_{C1}	10	12.5	15	kHz
Speaker attenuators						
A_{MAX}	Max Attenuation		-53	-50	-47	dB
A_{STEP}	Step Resolution		0.5	1	2	dB
Audio outputs						
V_{CL}	Clipping level	$d = 0.3\%$	1.8	2		V_{RMS}
R_{OUT}	Output impedance			30	100	Ω
R_L	Output load resistance		2			k Ω
C_L	Output load capacitor				10	nF
V_{DC}	DC voltage level			4.0		V
General						
e_{NO}	Output noise	BW=20Hz to 20 kHz all gain = 0dB		15	25	μV
S/N	Signal to noise ratio	all gain = 0dB flat; $V_o = 2V_{RMS}$		100		dB
D	Distortion	$V_{IN} = 1V_{RMS}$; all stages 0dB		0.01	0.3	%
S_C	Channel separation left/right		80	90		dB

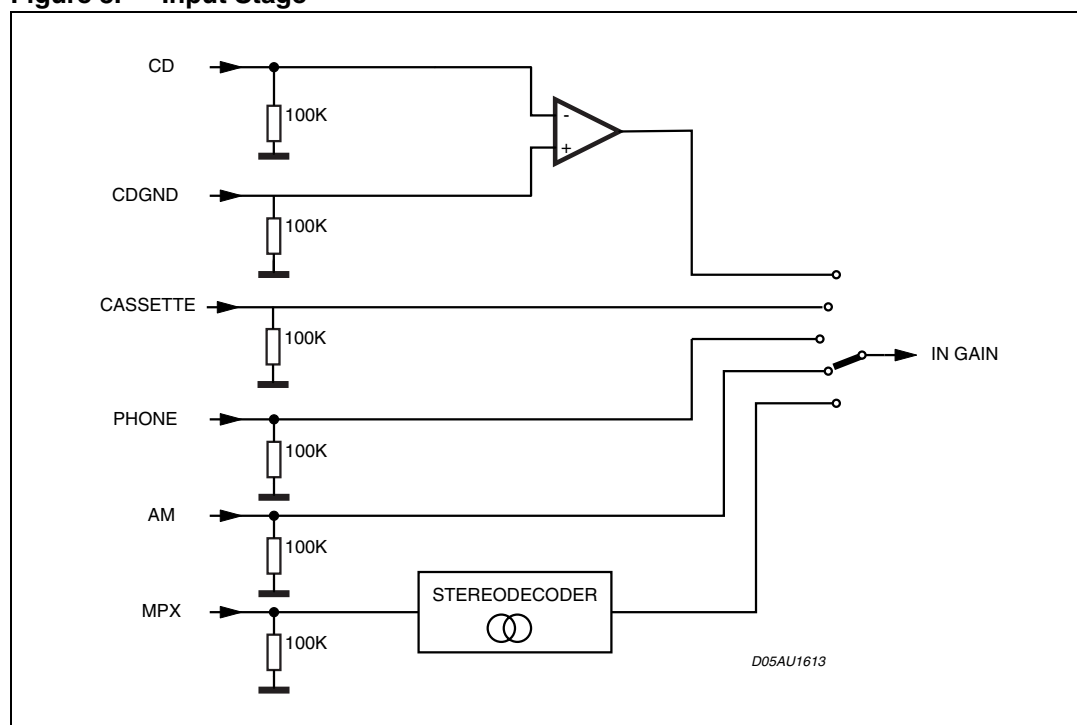
5 Description of the audioprocessor part

5.1 Input matrix

The input matrix of the TDA7410ND offers several possibilities to adapt the audioprocessor to the desired application (see [Figure 1](#)). Into the standard application we have:

- CD quasi differential
- Cassette stereo
- Phone
- AM mono
- Stereodecoder input

Figure 3. Input Stage



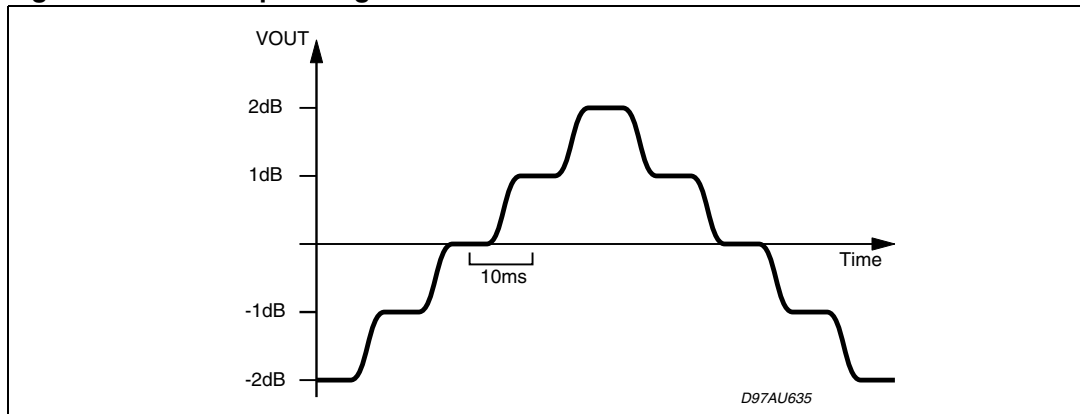
5.2 AutoZero

In order to reduce the number of pins there is no AC coupling between the In-Gain and the following stage, so that any offset generated by or before the In-Gain stage would be transferred or even amplified to the output. To avoid that effect a special offset cancellation stage called AutoZero is implemented. To avoid audible clicks the audioprocessor is muted before the volume stage during this time. In some cases, for example if the P is executing a refresh cycle of the I2C bus programming, it is not useful to start a new AutoZero action because no new source is selected and an undesired mute would appear at the outputs. For such applications the TDA7410D could be switched in the "Auto Zero Remain" mode (Bit 6 of the subaddress byte). If this bit is set to high, the DATABYTE 0 could be loaded without invoking the AutoZero and the old adjustment value remains.

5.3 Softstep Volume

When volume level is changed often an audible click appears at the output. The root cause of those clicks could be either a DC offset before the volume stage or the sudden change of the envelope of the audio signal. With the Softstep feature both kinds of clicks could be reduced to a minimum and are no more audible (see [Figure 4](#)).

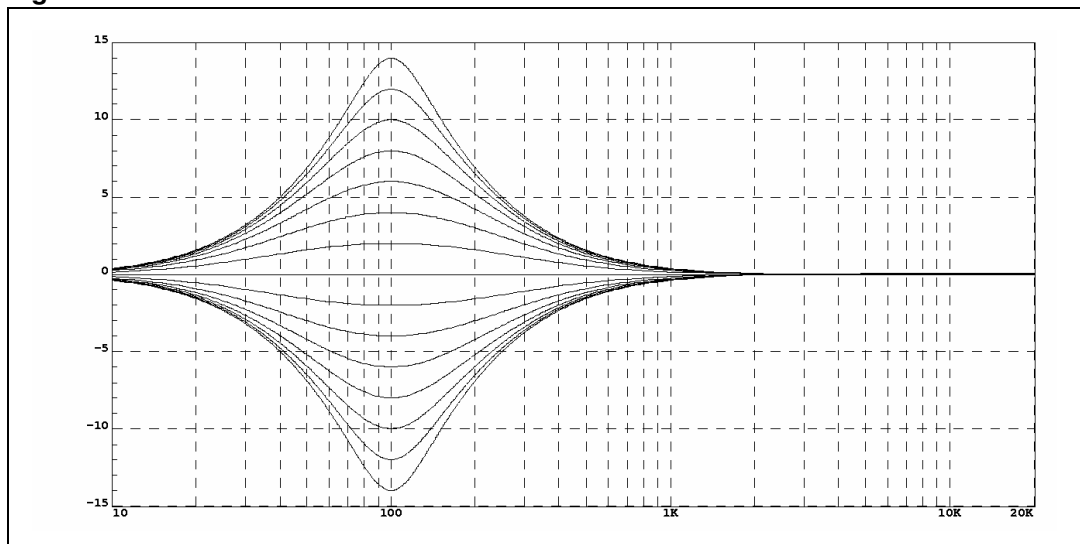
Figure 4. Soft Step Timing



5.4 Bass

The attenuation is programmable in the bass stage (see [Figure 5](#)):

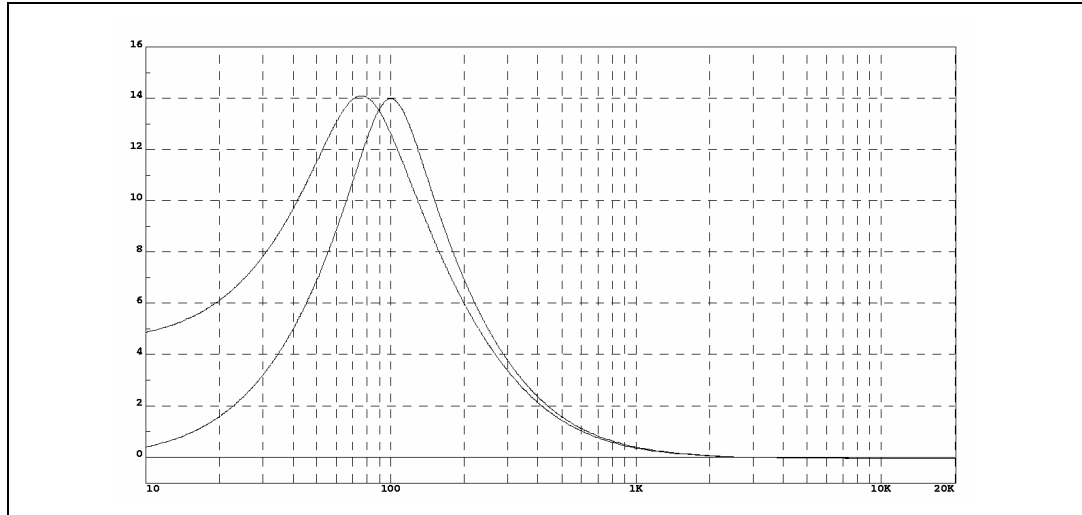
Figure 5. Bass control



5.5 DC Mode

In this mode the DC gain is increased by 4.4dB. In addition the programmed center frequency and quality factor is decreased by 25% which can be used to reach alternative center frequencies or quality factors. (see [Figure 6](#)):

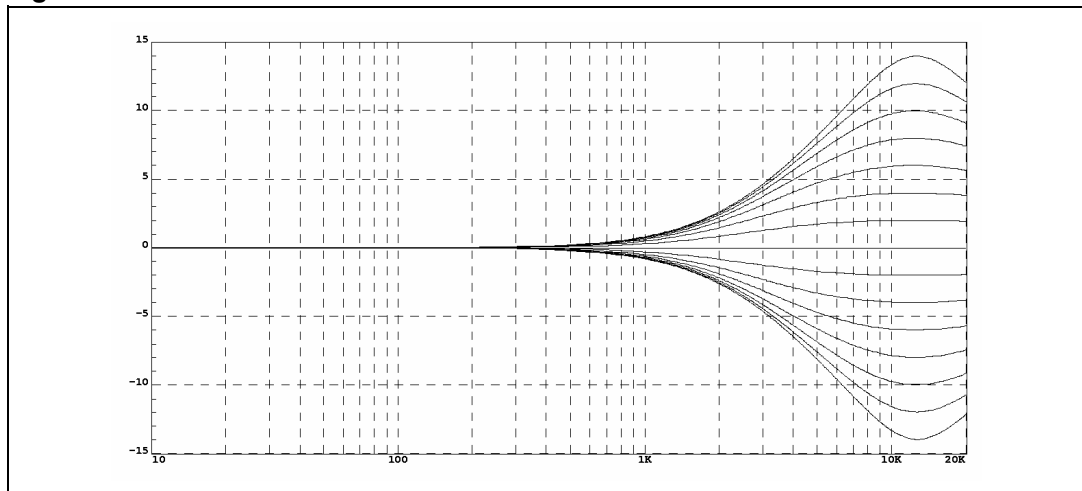
Figure 6. Bass normal and DC mode



5.6 Treble

The attenuation is programmable in the treble stage (see [Figure 7](#)):

Figure 7. Treble Control



5.7 Speaker Attenuator

Due to practical aspects the steps in the speaker attenuators are not linear over the full range. At attenuations more than 24dB the steps increase from 2dB to 8dB (please see data byte specification).

5.8 Stereodecoder part

- No External components necessary
- PLL with adjustment fully integrated VCO
- Automatic pilot dependent MONO/STEREO switching
- Very high suppression of intermodulation and interference
- Highcut and Stereoblend characteristics programmable in a wide range
- Internal noiseblanker with threshold controls
- I²C bus control of all necessary functions

Table 6. Stereodecoder electrical characteristics

$V_{DD} = 8.5V$, Deemphasis time const = 50 μ s, $V_{MPX} = 500mV$, In Gain = 6dB, 75kHz deviation, $f = 1kHz$, $T_{amb} = 25^{\circ}C$, unless otherwise spificied

Symbol	Parameter	Test Condition	Min.	Typ.	Max.	Unit
V_{IN}	MPX input level	Input gain = 3.5dB		0.5		V_{RMS}
R_{in}	Input resistance			100		k Ω
Gain	Minimum input gain			3.5		dB
Gmax	Maximum input gain			11		dB
G_{STEP}	Step resolution			2.5		dB
a	Max. channel separation			40		dB
Mono/stereo switch						
V_{PTHST1}	Pilot threshold voltage	For stereo, PTH=1	10	15	25	mV
V_{PTHST0}		For stereo, PTH=0	15	25	35	mV
V_{PTHMO1}		For mono, PTH=1	7	12	17	mV
V_{PTHMO0}		For mono, PTH=0	10	19	25	mV
PLL						
$\Delta f/f$	Capture Range			0.5		%
Deemphass and highcut						
τ_{HC50}	Deemphasis time constant	Stereodecoder-Byte D5=0 $V_{LEVEL} \gg V_{HCH}$		50		μ s
τ_{HC75}		Stereodecoder-Byte D5=1 $V_{LEVEL} \gg V_{HCH}$		75		μ s
τ_{HC50}	Highcut time constant	Stereodecoder-Byte D5=0 $V_{LEVEL} \gg V_{HCH}$		150		μ s
τ_{HC75}		Stereodecoder-Byte D5=1 $V_{LEVEL} \gg V_{HCH}$		225		μ s

Table 6. Stereodecoder electrical characteristics (continued)

$V_{DD} = 8.5V$, Deemphasis time const = $50\mu s$, $V_{MPX} = 500mV$, In Gain = 6dB, 75kHz deviation, $f = 1kHz$, $T_{amb} = 25^{\circ}C$, unless otherwise spificied

Symbol	Parameter	Test Condition	Min.	Typ.	Max.	Unit
Stereoblend and highcut control						
REF5V	Internal reference voltage			5		V
L_{Gmin}	Min. level gain			0		dB
L_{Gmax}	Max. level gain			10		dB
L_{Gstep}	Level gain step resolution			0.67		dB
VSBLmin	Min. voltage for mono			33		%REF5V
VSBLmax	Max. voltage for mono			58		%REF5V
VSBLstep	Step resolution			8.4		%REF5V
Groll	Roll off compensation			2.5		dB
VHCHmin	Min. voltage for no highcut			42		%REF5V
VHCHmax	Max. voltage for no highcut			66		%REF5V
VHCHstep	Step resolution			8.4		%REF5V
VHCLmin	Min. voltage for full highcut			17		%VHCH
VHCLmax	Max. voltage for full highcut			33		%VHCH
Carrier and harmonic suppression at the output						
α_{19}	Pilot signal	$f = 19kHz$		40		dB
α_{39}	Subcarrier	$f = 38kHz$		65		dB
α_{57}	Subcarrier	$f = 57kHz$		55		dB
α_{76}	Subcarrier	$f = 76kHz$		80		dB
ACI - Adjacent channel interference						
α_{114}	Signal	$f = 114kHz$		80		dB
α_{190}	Signal	$f = 190kHz$		70		dB

5.9 Noise blanker part

- Internal highpass filter
- Programmable trigger threshold
- Additional circuit for trigger adjustment (deviation, field-strength)
- Very low offset current during hold time
- Selectable pulse suppression times

Table 7. Noise blanker electrical characteristics

Symbol	Parameter	Test Condition	Min.	Typ.	Max.	Unit	
V_{TH}	Trigger threshold ^{(1),(2)}	means. with $V_{PEAK}=0.9V$	NBT=111		30		mV _{OP}
			NBT=110		35		mV _{OP}
			NBT=101		40		mV _{OP}
			NBT=100		45		mV _{OP}
			NBT=011		50		mV _{OP}
			NBT=010		55		mV _{OP}
			NBT=001		60		mV _{OP}
$V_{TRNOISE}$	Noise controlled trigger threshold ⁽³⁾	means. with $V_{PEAK}=1.5V$	NCT=00		260		mV _{OP}
			NCT=01		220		mV _{OP}
			NCT=10		180		mV _{OP}
			NCT=11		140		mV _{OP}
V_{RECT}	Rectifier voltage	$V_{MPX} = 0mV$		0.9		V	
		$V_{MPX} = 50mV; f = 150kHz$		1.7		V	
		$V_{MPX} = 100mV; f = 150kHz$		2.5		V	
$V_{RECT DEV}$	deviation dependent rectifier voltage ⁽⁴⁾	means. with $V_{MPX}=800mV$ (75kHz dev.)	OVD=11		0.9(off)		V _{OP}
			OVD=10		1.2		V _{OP}
			OVD=01		2.0		V _{OP}
			OVD=00		2.8		V _{OP}
$V_{RECT FS}$	Fieldstrength Controlled Rectifier Voltage ⁽⁵⁾	means. with $V_{MPX}=0mV$ $V_{LEVEL} \ll V_{SBL}$ (fully mono)	FSC=11		0.9(off)		V
			FSC=10		1.3		V
			FSC=01		1.8		V
			FSC=00		2.3		V

1. All thresholds are measured using a pulse with $T_R = 2 ms$, $T_{HIGH} = 2 ms$ and $T_F = 10ms$
2. NBT represents the Noiseblanker-Byte D2~D0 for the noise blanker trigger threshold
3. NAT represents the Noiseblanker-Byte D4~D3 for the noise controlled trigger adjustment
4. OVD represents the Noiseblanker-Byte D7~D6 for the over deviation detector
5. FSC represents the Fieldstrength-Byte D1~D0 for the fieldstrength control

Figure 8. Vn timing diagram

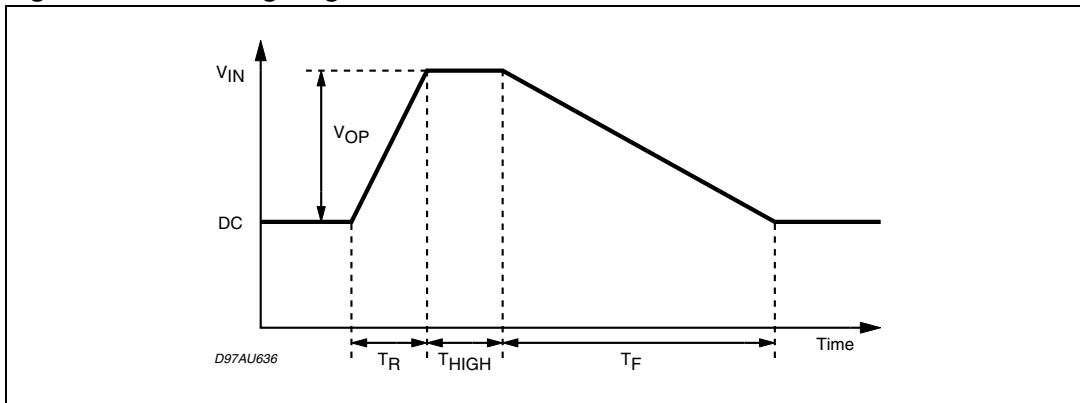


Figure 9. Trigger Threshold vs. V_{PEAK}

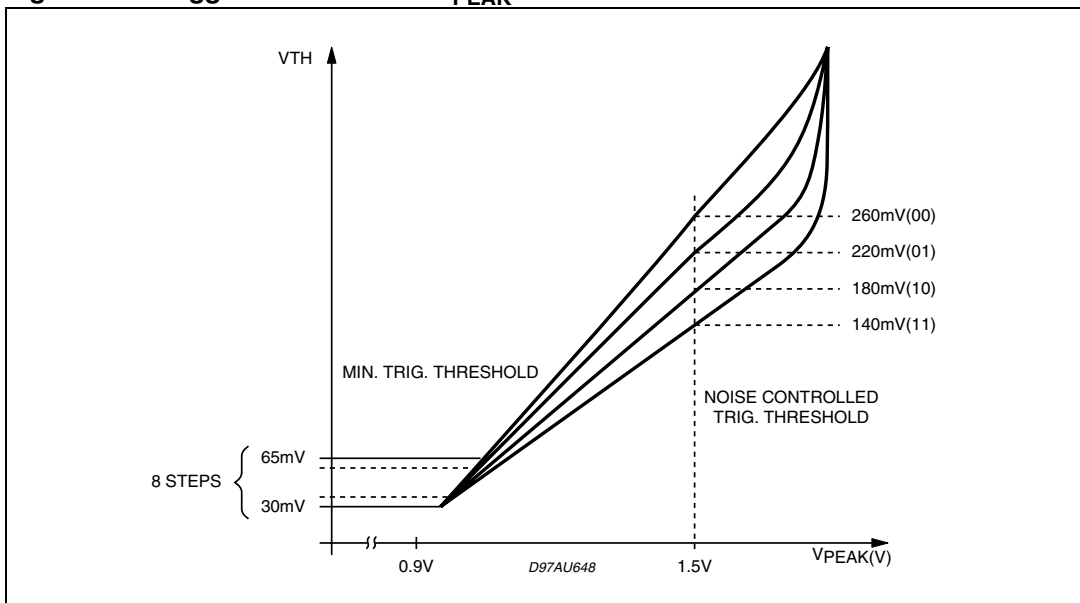


Figure 10. Deviation Controlled Trigger Adjustment

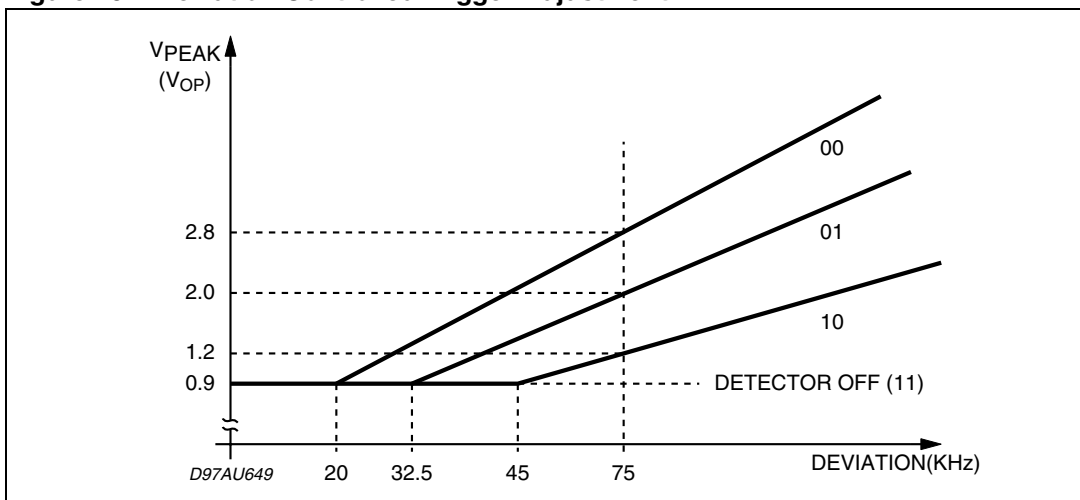
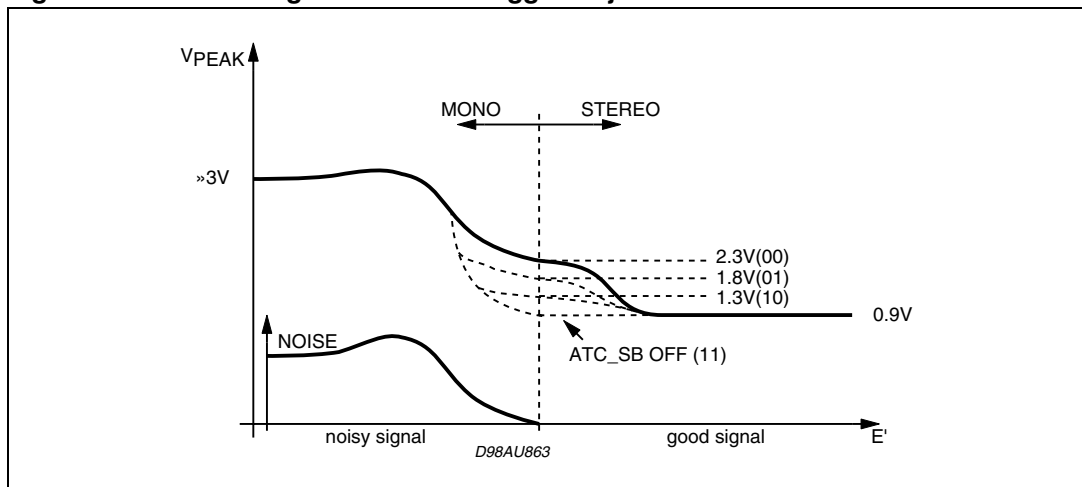


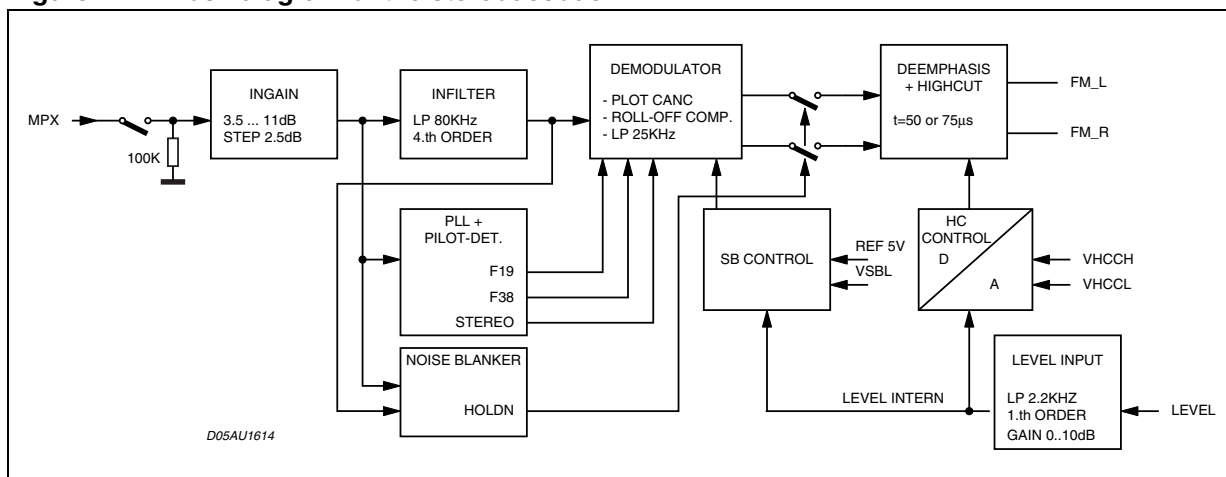
Figure 11. Fieldstrength Controlled Trigger Adjustment



6 Description of stereodecoder

The stereodecoder part of the TDA7410ND (see [Figure 12](#)) contains all functions necessary to demodulate the MPX signal like pilot tone dependent MONO/STEREO switching as well as "stereoblend" and "highcut" functions. Adaptations like programmable input gain, selectable deemphasis time constant and a programmable fieldstrength input allow to use different IF devices.

Figure 12. Block diagram of the stereodecoder



6.1 Input stages

The Ingain stage allows to adjust the MPX signal to a magnitude of about 1Vrms internally which is the recommended value. The 4th order input filter has a corner frequency of 80kHz and is used to attenuate spikes and noise and acts as an antialiasing filter for the following switch capacitor filters.

6.2 Demodulator

In the demodulator block the left and the right channel are separated from the MPX signal. In this stage also the 19kHz pilot tone is cancelled.

6.3 Deemphasis and highcut

The lowpass filter for the deemphasis allows to choose between a time constant of 50μs and 75μs (bit D5, Stereodecoder Adjustment byte).

The highcut control range will be in both cases $t_{HC} = 2 \cdot t_{Deemp}$. Inside the highcut control range (between VHCH and VHCL) the LEVEL signal is converted into a 5 bit word which controls the lowpass time constant between $t_{Deemp} \dots 3 \cdot t_{Deemp}$. There by the resolution will remain always 5 bits independently of the absolute voltage range between the VHCH and VHCL values. The highcut function can be switched off by I2C bus (bit D7, Fieldstrength Control byte set to "0").

6.4 PLL and pilot tone detector

The PLL has the task to lock on the 19kHz pilotone during a stereo transmission to allow a correct demodulation. The included detector enables the demodulation if the pilot tone reaches the selected pilotone threshold VPTHST. Two different thresholds are available. The detector output (signal STEREO, see block diagram) can be checked by reading the status byte of the TDA7410ND via I²C bus.

6.5 Fieldstrength control

The fieldstrength input is used to control the highcut and the stereoblend function. In addition the signal can be also used to control the noiseblanker thresholds.

6.6 LEVEL input and gain

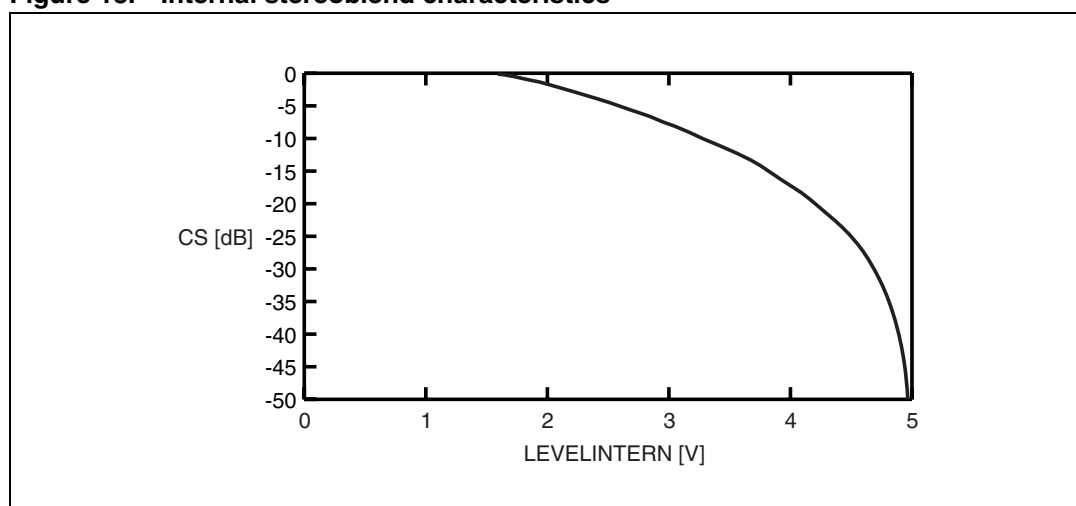
To suppress undesired high frequency modulation on the highcut and stereoblend function the LEVEL signal is lowpass filtered firstly. The filter is a combination of a 1st order RC lowpass at 53kHz (working as anti-aliasing filter) and a 1st order switched capacitor lowpass at 2.2kHz. The second stage is a programmable gain stage to adapt the LEVEL signal internally to different IF. The gain is widely programmable in 16 steps from 0dB to 10dB (step = 0.67dB).

6.7 Stereoblend control

The stereoblend control block converts the internal LEVEL voltage (LEVEL INTERN) into an demodulator

compatible analog signal which is used to control the channel separation between 0dB and the maximum separation. Internally this control range has a fixed upper limit which is the internal reference voltage REF5V. The lower limit can be programmed to be 33%, 42%, 50% or 58% of REF5V (see [Figure 13, 14](#)).

Figure 13. Internal stereoblend characteristics

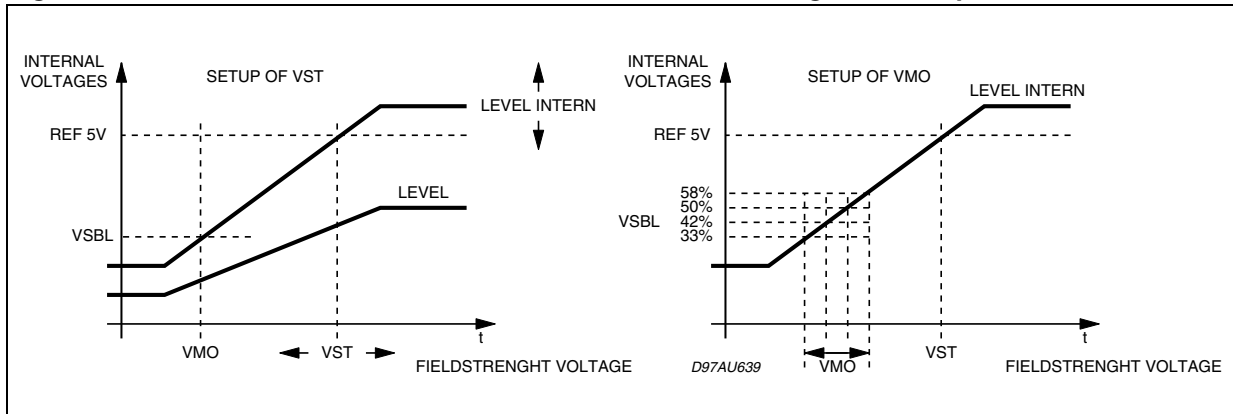


To adjust the external LEVEL voltage to the internal range two values must be defined: the LEVEL gain LG and VSBL. To adjust the voltage where the full channel separation is reached (VST) the LEVEL gain LG has to be defined. The following equation can be used to estimate the gain:

$$L_G = \frac{REF5V}{\text{Field strength voltage[STEREO]}}$$

The gain can be programmed through 4 bits in the "Level Gain" byte. The MONO voltage VMO (0dB channel separation) can be chosen selecting 33, 42, 50 or 58% of REF5V.

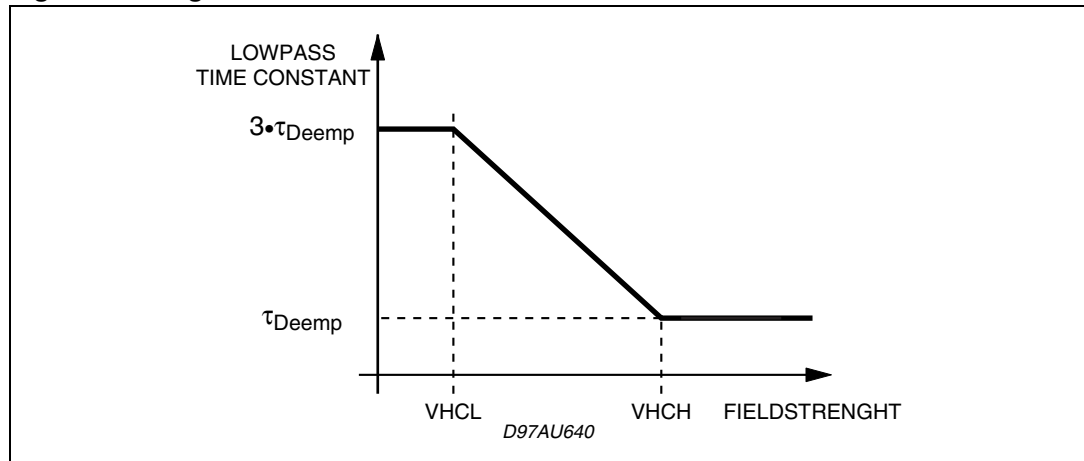
Figure 14. Relation between internal and external LEVEL voltage and setup of Stereoblend



6.8 Highcut Control

The highcut control setup is similar to the stereoblend control setup : the starting point VHCH can be set with 2 bits to be 42, 50, 58 or 66% of REF5V whereas the range can be set to be 17 or 33% of VHCH (see [Figure 15](#)).

Figure 15. Highcut characteristics



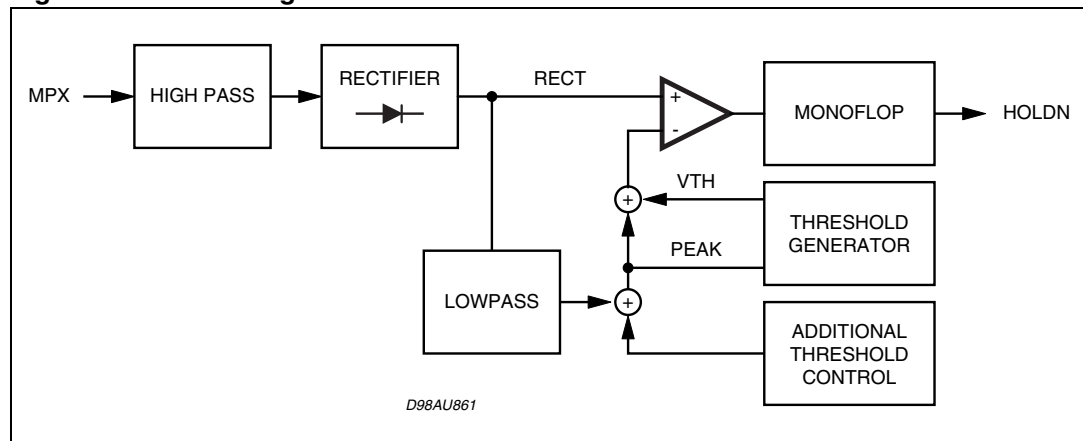
7 Functional description of the noiseblanker

In the automotive environment the MPX signal is disturbed by spikes produced by the ignition and for example the wiper motor. The aim of the noiseblanker part is to cancel the audible influence of the spikes. Therefore the output of the stereodecoder is held at the actual voltage for 40 μ s. In a first stage the spikes must be detected but to avoid a wrong triggering on high frequency (white) noise a complex trigger control is implemented. Behind the triggerstage a pulse former generates the "blanking" pulse. To avoid any crosstalk to the signal path the noiseblanker is supplied by its own biasing circuit.

7.1 Trigger path

The incoming MPX signal is highpass filtered, amplified and rectified. This second order highpass-filter has a corner frequency of 140kHz. The rectified signal, RECT, is lowpass filtered to generate a signal called PEAK. Also noise with a frequency 140kHz increases the PEAK voltage. The PEAK voltage is fed to a threshold generator, which adds to the PEAK voltage a DC dependent threshold VTH. Both signals, RECT and PEAK+VTH are fed to a comparator which triggers a re-triggerable monoflop. The monoflop's output activates the sample-and-hold circuits in the signalpath for 40 μ s. The block diagram of the noiseblanker is given in [Figure 16](#).

Figure 16. Block diagram of the noiseblanker



7.2 Automatic noise controlled threshold adjustment (ATC)

There are mainly two independent possibilities for programming the trigger threshold:

- the low threshold in 8 steps (bits D0 to D2 of the noiseblanker byte)
- the noise adjusted threshold in 4 steps (bits D3 and D4 of the noiseblanker byte, (see [Figure 9](#)).

The low threshold is active in combination with a good MPX signal without any noise; the PEAK voltage is less than 1V. The sensitivity in this operation is high. If the MPX signal is noisy the PEAK voltage increases

due to the higher noise, which is also rectified. With increasing of the PEAK voltage the trigger threshold increases, too. This particular gain is programmable in 4 steps (see [Figure 9](#)).

7.3 Automatic threshold control

Besides the noise controlled threshold adjustment there is an additional possibility for influencing the trigger threshold. It is depending on the stereoblend control. The point where the MPX signal starts to become noisy is fixed by the RF part. Therefore also the starting point of the normal noise-controlled trigger adjustment is fixed ([Figure 11](#)). In some cases the behaviour of the noiseblanker can be improved by increasing the threshold even in a region of higher fieldstrength. Sometimes a wrong triggering occurs for the MPX signal often shows distortion in this range which can be avoided even if using a low threshold. Because of the overlap of this range and the range of the stereo/mono transition it can be controlled by stereoblend. This threshold increase is programmable in 3 steps or switched off with bits D0 and D1 of the fieldstrength control byte.

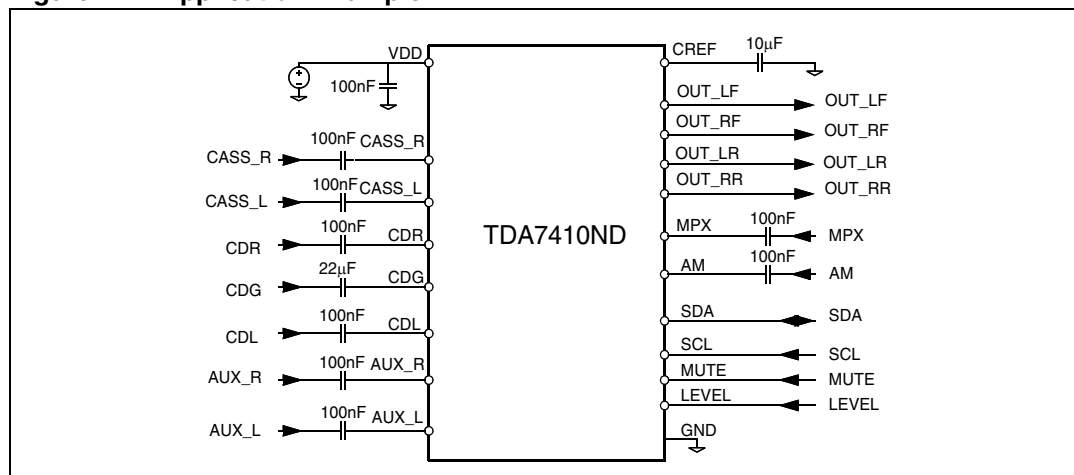
7.4 Over deviation detector

If the system is tuned to stations with a high deviation the noiseblanker can trigger on the higher frequencies of the modulation. To avoid this wrong behaviour, which causes noise in the output signal, the noiseblanker offers a deviation dependent threshold adjustment. By rectifying the MPX signal a further signal representing the actual deviation is obtained. It is used to increase the PEAK voltage. Offset and gain of this circuit are programmable in 3 steps with the bits D6 and D7 of the stereodecoder byte (the first step turns off the detector, see [Figure 10](#)).

7.5 Test Mode

During the test mode which can be activated by setting bit D0 of the testing byte and bit D5 of the subaddress byte to "1" several internal signals are available at the CASSR pin. During this mode the input resistance of 100kOhm is disconnected from the pin. The internal signals available are shown in the software specification.

Figure 17. Application Example



8 I²C bus specification

8.1 Interface protocol

The interface protocol comprises:

- a start condition (S)
- a chip address byte (the LSB determines read/write transmission)
- a subaddress byte
- a sequence of data (N-bytes + acknowledge)
- a stop condition (P)
- the max. clock speed is 500kbits/s

Table 8. Receive mode

S	1	0	0	0	1	1	0	R/W	ACK	X	AZ	TS	AI	A3	A2	A1	A0	ACK	DATA	ACK	P
---	---	---	---	---	---	---	---	-----	-----	---	----	----	----	----	----	----	----	-----	------	-----	---

S = Start

R/W = "0" -> Receive Mode (Chip could be programmed by μ P)

"1" -> Transmission Mode (Data could be received by μ P)

ACK = Acknowledge

P = Stop

TS = Testing mode

AZ = Auto zero remain

AI = Auto increment

Table 9. Transmission mode

S	1	0	0	0	1	0	0	R/W	ACK	X	X	X	X	ST	X	X	X	ACK	P
---	---	---	---	---	---	---	---	-----	-----	---	---	---	---	----	---	---	---	-----	---

ST = Stereo

X = Not Used

The transmitted data is automatic updated after each ACK. Transmission can be repeated without new chip address.

8.2 Reset condition

A Power-On-Reset is invoked if the Supply-Voltage is below than 3.5V. After that the following data is written automatically into the registers of all subaddresses:

Table 10. Reset condition

MSB							LSB
1	1	1	1	1	1	1	0

Table 11. Subaddress (Receive mode)

MSB							LSB	Function
X	AZ	TS	AI	A3	A2	A1	A0	
	0 1							AZ Remain Off On
		0 1						Test Mode Off On
			0 1					Auto Increment Off On
				0 0 0 0 0 0 0 1 1 1 1	0 0 0 1 1 1 0 0 0 0 1	0 0 1 1 0 0 1 1 0 1 1	0 1 0 1 0 1 0 0 1 0 1 0	Source Selector Volume Control Speaker Attenuator LF Speaker Attenuator LR Speaker Attenuator RF Speaker Attenuator RR Treble / Level Gain Stereodecoder Adjustment Noiseblanker Adjustment Fieldstrength Control Test Bass Softstep Configuration

Table 12. Source selector (0)

MSB							LSB	Function
D7	D6	D5	D4	D3	D2	D1	D0	Source Selector / Bass
					0	0	0	Source Selector CD
					0	0	1	Cassette
					0	1	0	Aux
					0	1	1	AM
					1	0	0	Stereo Decoder
					1	0	1	Mute
					1	1	0	Not Used
					1	1	1	Not Used
	0	0	0	0				Input Gain 0dB
	0	0	0	1				1dB
	:	:	:	:				:
	1	1	1	0				14dB
	1	1	1	1				15dB
x								Not Used

Table 13. Volume Control (1)

MSB							LSB	Function
D7	D6	D5	D4	D3	D2	D1	D0	
	0	0	0	0	0	0	0	Gain/Attenuation +0dB
	0	0	0	0	0	0	1	+1dB
	:	:	:	:	:	:	:	:
	0	0	1	1	1	1	1	+31dB
	0	1	0	0	0	0	0	-0dB
	0	1	0	0	0	0	1	-1dB
	:	:	:	:	:	:	:	:
	1	1	0	1	1	1	0	-78dB
	1	1	0	1	1	1	1	-79dB
	1	1	1	x	x	x	x	mute
0								Soft Step on
1								off

Table 14. Speaker attenuation (2, 3, 4, 5)

MSB							LSB	Function
D7	D6	D5	D4	D3	D2	D1	D0	Speaker Attenuation LF (LR,RF,RR)
		0	0	0	0	0	0	Attenuation 0dB
		0	0	0	0	0	1	-1dB
		:	:	:	:	:	:	:
		0	1	0	1	1	1	-23dB
		0	1	1	0	0	0	-25dB
		0	1	1	0	0	1	-27dB
		0	1	1	0	1	0	-29dB
		0	1	1	0	1	1	-31.5dB
		0	1	1	1	0	0	-34dB
		0	1	1	1	0	1	-37.5dB
		0	1	1	1	1	0	-42dB
		0	1	1	1	1	1	-50dB
		1	x	x	x	x	x	Speaker Mute
x	x							Not used

Table 15. Treble / Level gain (6)

MSB							LSB	Function
D7	D6	D5	D4	D3	D2	D1	D0	Treble / Level Gain
				0	0	0	0	Treble -14dB
				0	0	0	1	-12dB
				:	:	:	:	:
				0	1	1	0	-2dB
				0	1	1	1	0dB
				1	1	1	1	0dB
				1	1	1	0	+2dB
				:	:	:	:	:
				1	0	0	1	+12dB
				1	0	0	0	+14dB
0	0	0	0					LEVEL Gain 0dB
0	0	0	1					0.66dB
0	0	1	0					1.33dB
:	:	:	:					:
1	1	1	1					10dB

Table 16. Stereodecoder adjustment (7)

MSB							LSB	Function
D7	D6	D5	D4	D3	D2	D1	D0	Stereodecoder Adjustment
							0	STD Unmuted
							1	STD Muted
					0	0		In-Gain 11dB
					0	1		In-Gain 8.5dB
					1	0		In-Gain 6dB
					1	1		In-Gain 3.5dB
				0				Forced MONO
				1				MONO/STEREO switch automatically
			0					Pilot Threshold HIGH
			1					Pilot Threshold LOW
		0						Deemphasis Threshold 50µs
		1						Deemphasis Threshold 75µs
0	0							Blank Time Adj
0	1							38µs
1	0							25.5µs
1	1							32µs
								22µs

Table 17. Noise blanker adjustment (8)

MSB							LSB	Function
D7	D6	D5	D4	D3	D2	D1	D0	Noiseblanker
					0	0	0	Low Threshold 65mV
					0	0	1	Low Threshold 60mV
					0	1	0	Low Threshold 55mV
					0	1	1	Low Threshold 50mV
					1	0	0	Low Threshold 45mV
					1	0	1	Low Threshold 40mV
					1	1	0	Low Threshold 35mV
					1	1	1	Low Threshold 30mV
			0	0				Noise Controlled Threshold 260mV
			0	1				Noise Controlled Threshold 220mV
			1	0				Noise Controlled Threshold 180mV
			1	1				Noise Controlled Threshold 140mV
		0						Noise Blanker OFF
		1						Noise Blanker ON
0	0							Over deviation Adjust 2.8V
0	1							Over deviation Adjust 2.0V
1	0							Over deviation Adjust 1.2V
1	1							Over deviation Adjust OFF

Table 18. Fieldstrength Control (9)

MSB							LSB		Function
D7	D6	D5	D4	D3	D2	D1	D0	Fieldstrength Control	
						0	0	NoiseBlanker Field strength Adj 2.3V	
						0	1	NoiseBlanker Field strength Adj 1.8V	
						1	0	NoiseBlanker Field strength Adj 1.3V	
						1	1	NoiseBlanker Field strength Adj OFF	
				0	0			VSBL at 33% REF 5V	
				0	1			VSBL at 42% REF 5V	
				1	0			VSBL at 50% REF 5V	
				1	1			VSBL at 58% REF 5V	
		0	0					VHCH at 42% REF 5V	
		0	1					VHCH at 50% REF 5V	
		1	0					VHCH at 58% REF 5V	
		1	1					VHCH at 66% REF 5V	
	0							VHCL at 17% VHCH	
	1							VHCL at 33% VHCH	
0								High cut OFF	
1								High cut ON	

Table 19. Test (10)

MSB							LSB	Function
D7	D6	D5	D4	D3	D2	D1	D0	Test
							0 1	Stereodecoder test signal OFF Test signal enabled
						0 1		External Clock Internal Clock
		0 0 0 0 0 0 0 0 1 1 1 1 1 1 1 1 1	0 0 0 0 1 1 1 1 0 0 0 0 0 0 0 0 0	0 0 1 1 0 1 1 1 0 0 1 1 0 0 0 0 0	0 1 0 1 1 0 1 1 0 0 0 0 0 0 0 0 0			Test signal VHCCH Level internal Pilot magnitude VCO control voltage Pilot Threshold HOLDN NB threshold F228 VHCCL VSBL SBPWM TBD PEAK REF5V REF5V5 VBG1.95
	0 1							VCO OFF ON
0 1								Audio processor test mode Enabled OFF

Table 20. Bass (11)

MSB							LSB	Function
D7	D6	D5	D4	D3	D2	D1	D0	Bass
				0	0	0	0	Bass -14dB
				0	0	0	1	-12dB
				:	:	:	:	:
				0	1	1	0	-2dB
				0	1	1	1	0dB
				1	1	1	1	0dB
				1	1	1	0	+2dB
				:	:	:	:	:
				1	0	0	1	+12dB
				1	0	0	0	+14dB
			0 1					Bass DC Mode DC Gain = 0dB DC Gain = 4.4 dB
		0 1						Bass Softstep On Off
x	x							Not Used

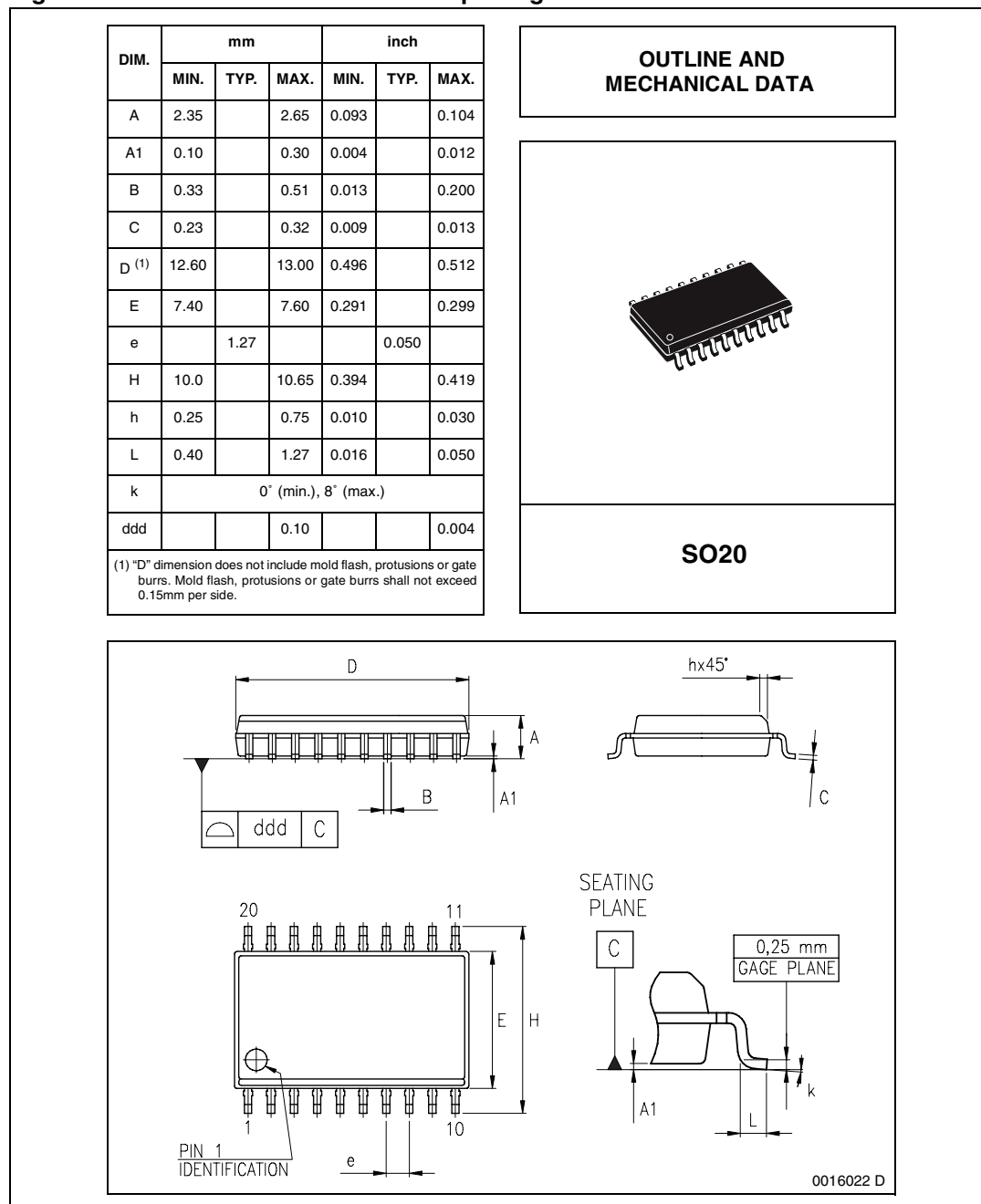
Table 21. Softstep Control (12)

MSB							LSB	Function
D7	D6	D5	D4	D3	D2	D1	D0	Softstep Control
							0 1	AutoZero Function Off On
					0 0 1 1	0 1 0 1		Soft Step Time 0.84ms 1.68ms 3.36ms 6.72ms
			1	1				Reserved
		0 1						STD Discharge Off On
x	x							Not Used

9 Package information

In order to meet environmental requirements, ST offers these devices in ECOPACK® packages. These packages have a lead-free second level interconnect. The category of second level interconnect is marked on the package and on the inner box label, in compliance with JEDEC standard JESD97. The maximum ratings related to soldering conditions are also marked on the inner box label. ECOPACK is an ST trademark. ECOPACK specifications are available at: www.st.com.

Figure 18. SO20 Mechanical data and package dimensions



10 Revision history

Table 22. Document revision history

Date	Revision	Changes
20-Feb-2007	1	Initial release.
28-Feb-2007	2	Corrected typos.

Please Read Carefully:

Information in this document is provided solely in connection with ST products. STMicroelectronics NV and its subsidiaries ("ST") reserve the right to make changes, corrections, modifications or improvements, to this document, and the products and services described herein at any time, without notice.

All ST products are sold pursuant to ST's terms and conditions of sale.

Purchasers are solely responsible for the choice, selection and use of the ST products and services described herein, and ST assumes no liability whatsoever relating to the choice, selection or use of the ST products and services described herein.

No license, express or implied, by estoppel or otherwise, to any intellectual property rights is granted under this document. If any part of this document refers to any third party products or services it shall not be deemed a license grant by ST for the use of such third party products or services, or any intellectual property contained therein or considered as a warranty covering the use in any manner whatsoever of such third party products or services or any intellectual property contained therein.

UNLESS OTHERWISE SET FORTH IN ST'S TERMS AND CONDITIONS OF SALE ST DISCLAIMS ANY EXPRESS OR IMPLIED WARRANTY WITH RESPECT TO THE USE AND/OR SALE OF ST PRODUCTS INCLUDING WITHOUT LIMITATION IMPLIED WARRANTIES OF MERCHANTABILITY, FITNESS FOR A PARTICULAR PURPOSE (AND THEIR EQUIVALENTS UNDER THE LAWS OF ANY JURISDICTION), OR INFRINGEMENT OF ANY PATENT, COPYRIGHT OR OTHER INTELLECTUAL PROPERTY RIGHT.

UNLESS EXPRESSLY APPROVED IN WRITING BY AN AUTHORIZED ST REPRESENTATIVE, ST PRODUCTS ARE NOT RECOMMENDED, AUTHORIZED OR WARRANTED FOR USE IN MILITARY, AIR CRAFT, SPACE, LIFE SAVING, OR LIFE SUSTAINING APPLICATIONS, NOR IN PRODUCTS OR SYSTEMS WHERE FAILURE OR MALFUNCTION MAY RESULT IN PERSONAL INJURY, DEATH, OR SEVERE PROPERTY OR ENVIRONMENTAL DAMAGE. ST PRODUCTS WHICH ARE NOT SPECIFIED AS "AUTOMOTIVE GRADE" MAY ONLY BE USED IN AUTOMOTIVE APPLICATIONS AT USER'S OWN RISK.

Resale of ST products with provisions different from the statements and/or technical features set forth in this document shall immediately void any warranty granted by ST for the ST product or service described herein and shall not create or extend in any manner whatsoever, any liability of ST.

ST and the ST logo are trademarks or registered trademarks of ST in various countries.

Information in this document supersedes and replaces all information previously supplied.

The ST logo is a registered trademark of STMicroelectronics. All other names are the property of their respective owners.

© 2007 STMicroelectronics - All rights reserved

STMicroelectronics group of companies

Australia - Belgium - Brazil - Canada - China - Czech Republic - Finland - France - Germany - Hong Kong - India - Israel - Italy - Japan - Malaysia - Malta - Morocco - Singapore - Spain - Sweden - Switzerland - United Kingdom - United States of America

www.st.com