

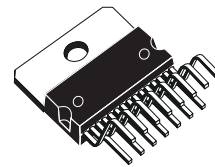


# TDA7496S

## 5W+5W AMPLIFIER

- 5+5W OUTPUT POWER  
 $R_L = 8\Omega @THD = 10\% V_{CC} = 22V$
- ST-BY AND MUTE FUNCTIONS
- LOW TURN-ON TURN-OFF POP NOISE
- NO BOUCHEROT CELL
- NO ST-BY RC INPUT NETWORK
- SINGLE SUPPLY RANGING UP TO 35V
- SHORT CIRCUIT PROTECTION
- THERMAL OVERLOAD PROTECTION
- INTERNALLY FIXED GAIN
- SOFT CLIPPING
- MULTIWATT 15 PACKAGE

### MULTIPOWER BI50II TECHNOLOGY



Multiwatt15

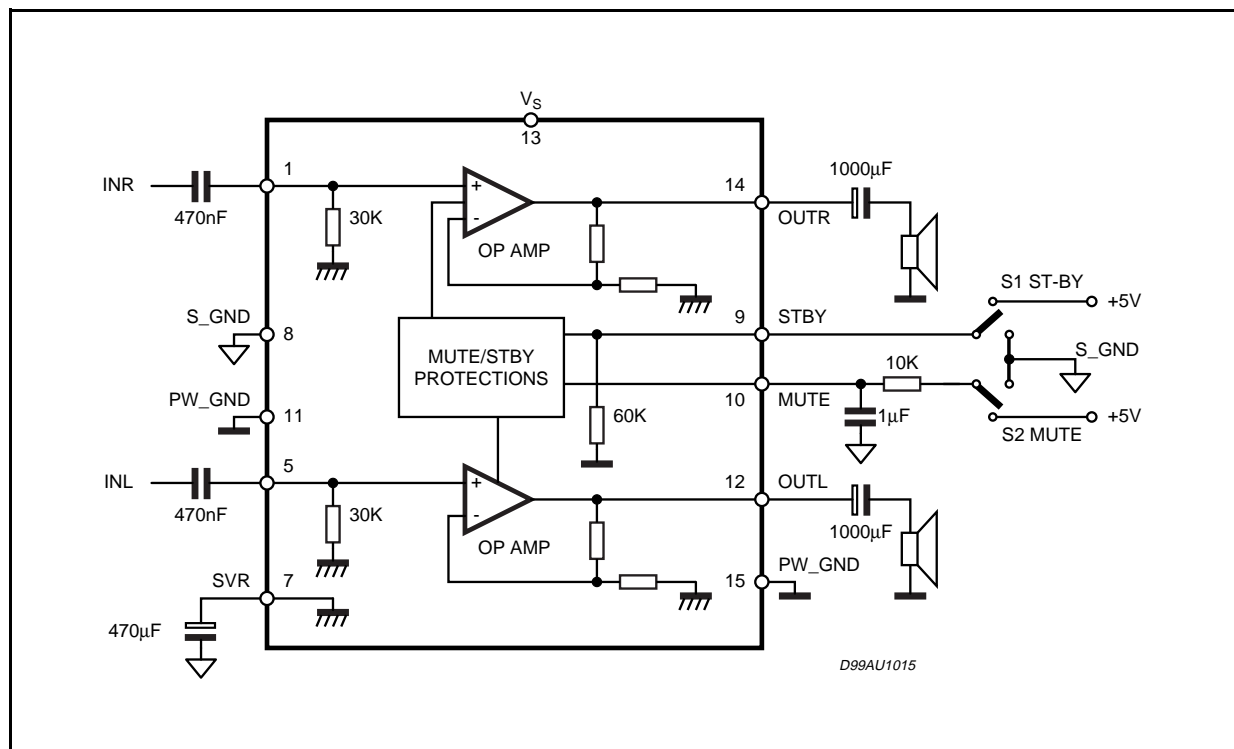
ORDERING NUMBER: TDA7496

### DESCRIPTION

The TDA7496 is a stereo 5+5W class AB power amplifier assembled in the @ Multiwatt 15 package, specially designed for high quality sound, TV applications.

Features of the TDA7496 include Stand-by and mute functions.

### BLOCK AND APPLICATION DIAGRAM

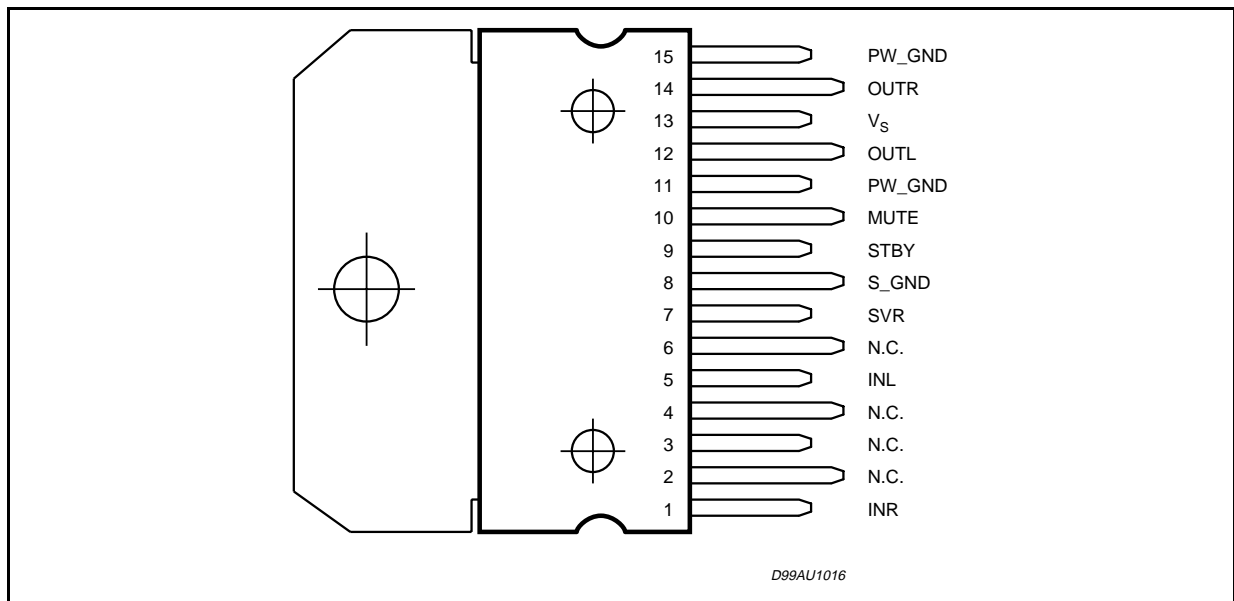


# TDA7496S

## ABSOLUTE MAXIMUM RATINGS

Symbol	Parameter	Value	Unit
$V_S$	DC Supply Voltage	35	V
$V_{IN}$	Maximum Input Voltage	8	V <sub>pp</sub>
$P_{tot}$	Total Power Dissipation ( $T_{amb} = 80^\circ\text{C}$ )	15	W
$T_{amb}$	Ambient Operating Temperature	0 to 70	$^\circ\text{C}$
$T_{stg}, T_j$	Storage and Junction Temperature	-40 to 150	$^\circ\text{C}$

## PIN CONNECTION (Top view)



## THERMAL DATA

Symbol	Parameter	Value	Unit
$R_{th\ j-case}$	Thermal Resistance Junction-case	Typ. = 4      Max. = 4.6	$^\circ\text{C}/\text{W}$
$R_{th\ j-amb}$	Thermal Resistance Junction-ambient	max 35	$^\circ\text{C}/\text{W}$

## ELECTRICAL CHARACTERISTICS (Refer to the test circuit $V_S = 22\text{V}$ ; $R_L = 8\Omega$ , $f = 1\text{kHz}$ , $R_g = 50\Omega$ , $T_{amb} = 25^\circ\text{C}$ ).

Symbol	Parameter	Test Condition	Min.	Typ.	Max.	Unit
$V_S$	Supply Voltage Range		10		32	V
$I_q$	Total Quiescent Current			25	50	mA
DCVos	Output DC Offset Referred to SVR Potential	No Input Signal		200		mV
$V_o$	Quiescent Output Voltage	$V_S = 22\text{V}$		11		V
$P_o$	Output Power	THD = 10%; $R_L = 8\Omega$ ; $V_S = 22\text{V}$	5	5.5		W
		THD = 1%; $R_L = 8\Omega$ ; $V_S = 22\text{V}$		4		W
		THD = 10%; $R_L = 4\Omega$ ; $V_{CC} = 12\text{V}$		2.1		W
		THD = 1%; $R_L = 4\Omega$ ; $V_{CC} = 12\text{V}$		1.0		W
THD	Total Harmonic Distortion	$G_v = 30\text{dB}$ ; $P_o = 1\text{W}$ ; $f = 1\text{kHz}$ ;			0.4	%
$I_{peak}$	Output Peak Current	(internally limited)	1.3	1.5		A
$V_{in}$	Input Signal				2.8	V <sub>rms</sub>
$G_v$	Closed Loop Gain		28.5	30	31.5	dB

## ELECTRICAL CHARACTERISTICS (continued)

Symbol	Parameter	Test Condition	Min.	Typ.	Max.	Unit
BW				0.6		MHz
e <sub>N</sub>	Total Output Noise	f = 20Hz to 22KHz Play		60	150	μV
		f = 20Hz to 22KHz Mute		60	150	μV
SR	Slew Rate		5	8		V/μs
R <sub>i</sub>	Input Resistance		22.5	30		KΩ
SVR	Supply Voltage Rejection	f = 1kHz; C <sub>SVR</sub> = 470μF; V <sub>RIP</sub> = 1V <sub>rms</sub>	35	39		dB
T <sub>M</sub>	Thermal Muting			150		°C
T <sub>s</sub>	Thermal Shut-down			160		°C
<b>MUTE STAND-BY &amp; INPUT SELECTION FUNCTIONS</b>						
V <sub>ST-ON</sub>	Stand-by ON threshold		3.5			V
V <sub>ST-OFF</sub>	Stand-by OFF threshold				1.5	V
V <sub>M ON</sub>	Mute ON Threshold		3.5			V
V <sub>M OFF</sub>	Mute OFF Threshold				1.5	V
I <sub>qST-BY</sub>	Quiescent Current @ Stand-by			0.6	1	mA
A <sub>MUTE</sub>	Mute Attenuation		50	65		dB
I <sub>stbyBIAS</sub>	Stand-by bias current	Stand by on V <sub>ST-BY</sub> = 5V V <sub>MUTE</sub> = 5V		80		μA μA
		Play or Mute	-20	-5		μA
I <sub>muteBIAS</sub>	Mute bias current	Mute		1	5	μA
		Play		0.2	2	μA

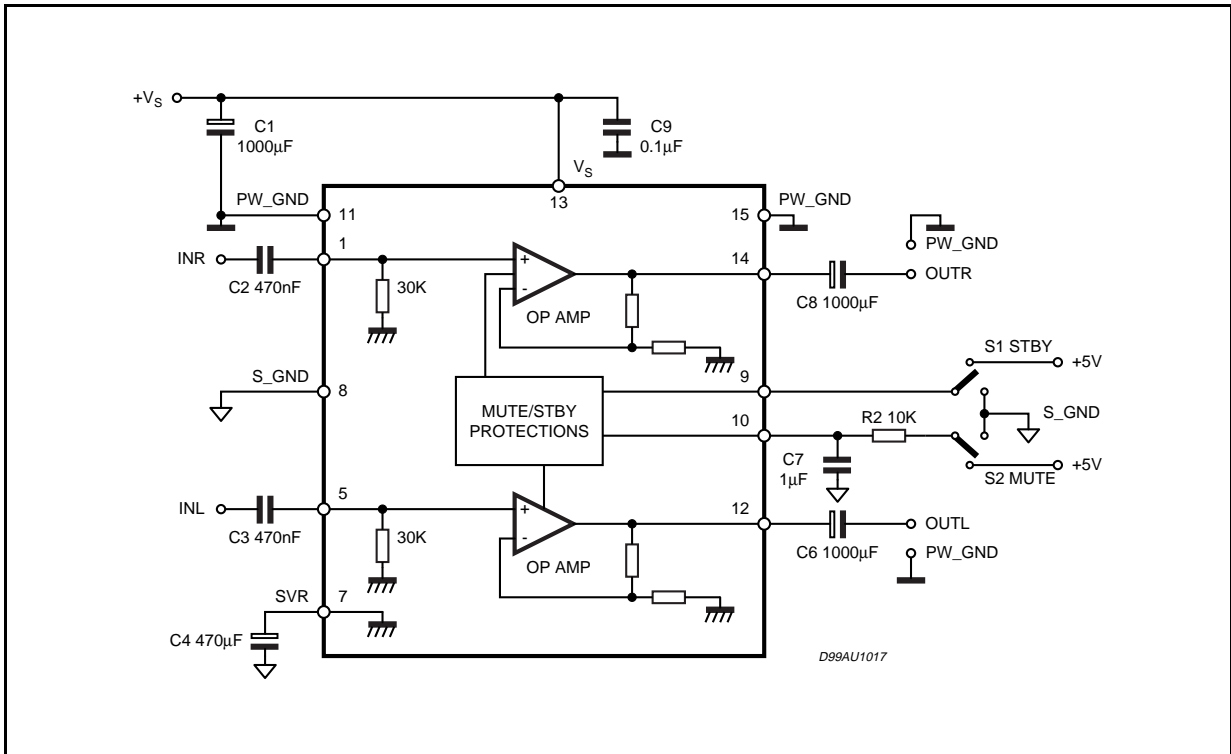
## APPLICATION SUGGESTIONS

The recommended values of the external components are those shown on the application circuit of figure 1a. Different values can be used, the following table can help the designer.

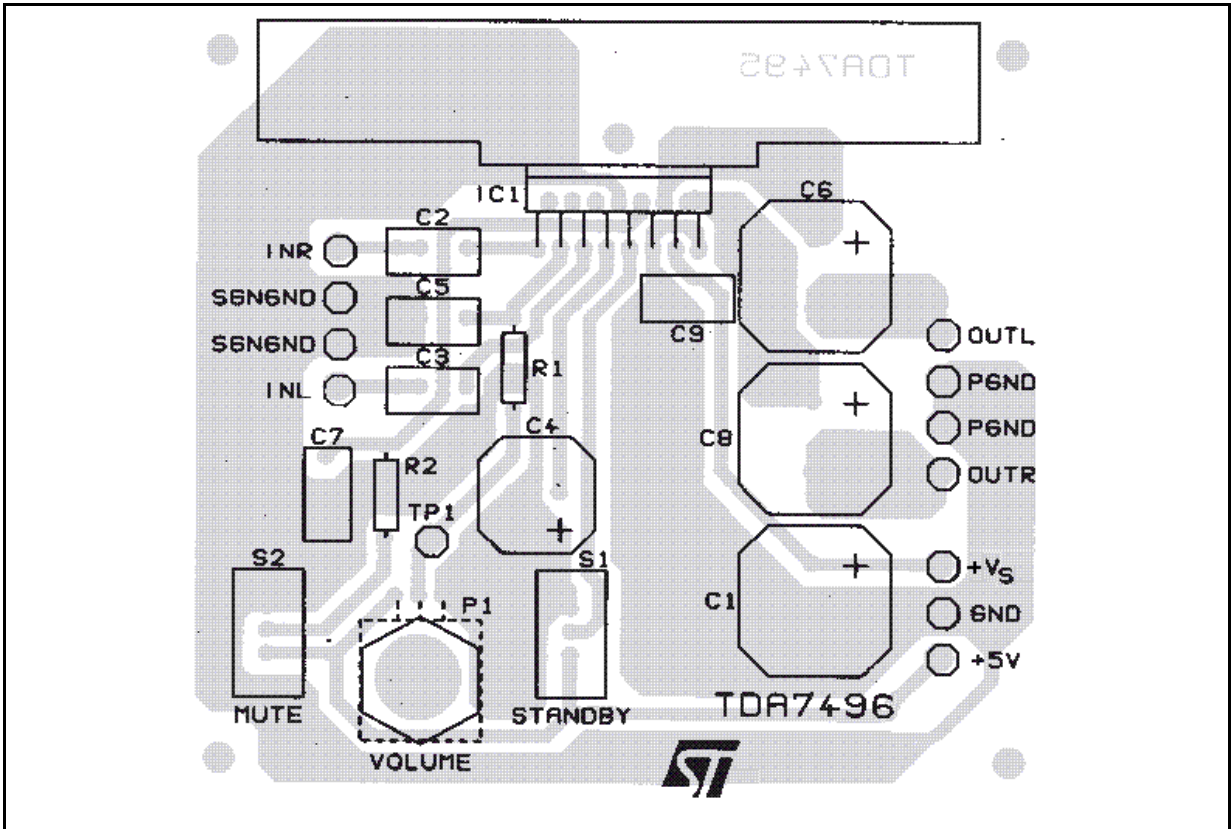
COMPONENT	SUGGESTION VALUE	PURPOSE	LARGER THAN SUGGESTION	SMALLER THAN SUGGESTION
R2	10K	Mute time constant	Larger mute on/off time	Smaller mute on/off time
C1	1000μF	Supply voltage bypass		Danger of oscillation
C2	470nF	Input DC decoupling	Lower low frequency cutoff	Higher low frequency cutoff
C3	470nF	Input DC decoupling	Lower low frequency cutoff	Higher low frequency cutoff
C4	470μF	Ripple rejection	Better SVR	Worse SVR
C6	1000μF	Output DC decoupling	Lower low frequency cutoff	Higher low frequency cutoff
C7	1μF	Mute time constant	Larger mute on/off time	Smaller mute on/off time
C8	1000μF	Output DC decoupling	Lower low frequency cutoff	Higher low frequency cutoff
C9	100nF	Supply voltage bypass		Danger of oscillation

**TDA7496S**

**Figure 1a: Application Circuit.**



**Figure 1b: P.C.B. and Component Layout.**

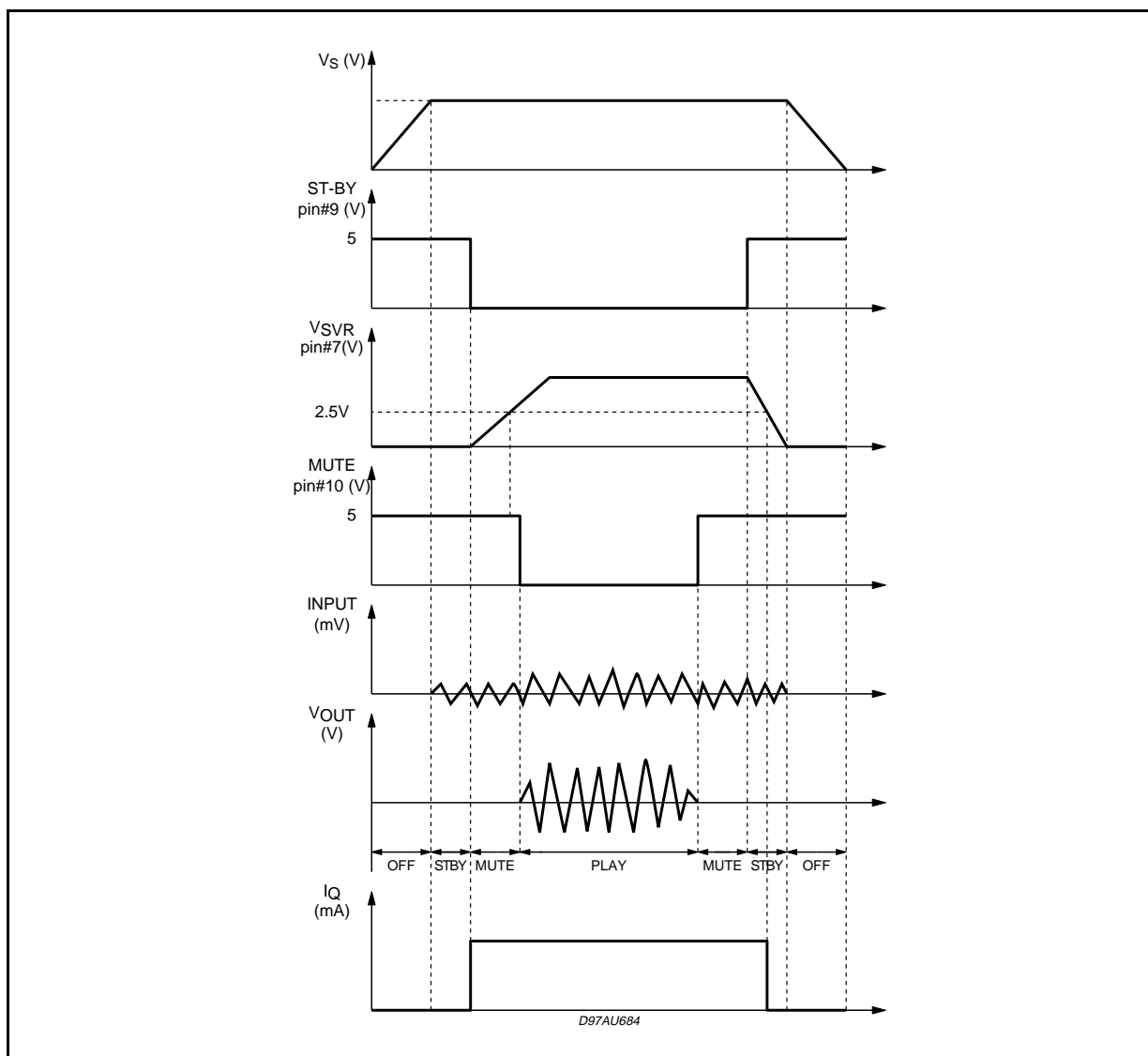


## MUTE STAND-BY TRUTH TABLE

MUTE	ST-BY	OPERATING CONDITION
H	H	STANDBY
L	H	STANDBY
H	L	MUTE
L	L	PLAY

## Turn ON/OFF Sequences (for optimizing the POP performances)

## A) USING MUTE AND STAND-BY FUNCTIONS



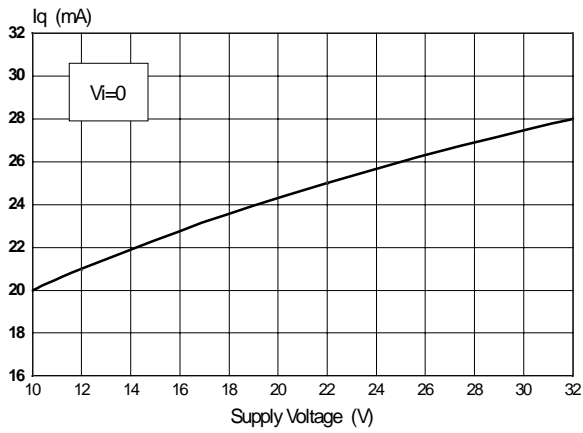
## B) USING ONLY THE MUTE FUNCTION

To simplify the application, the stand-by pin can be connected directly to Ground.

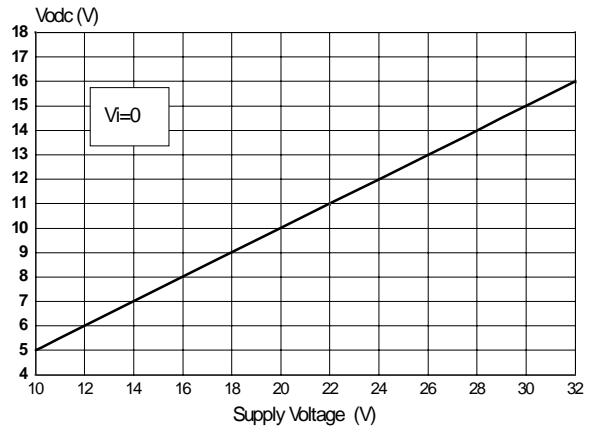
During the ON/OFF transitions it is recommended to respect the following conditions.

- At the turn-on, the transition mute - play must be made when the SVR pin is higher than 2.5V
- At the turn-off, the TDA7496 must be brought to mute from the play condition when the SVR pin is higher than 2.5V.

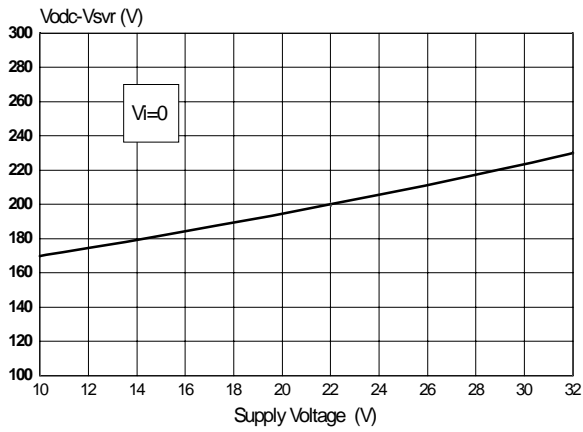
Quiescent Current vs. Supply Voltage



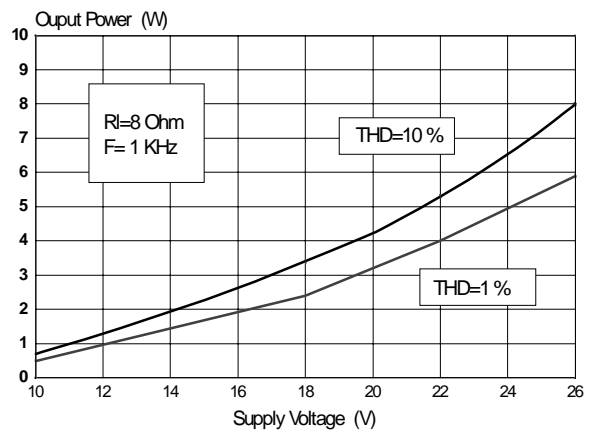
Output DC Voltage vs. Supply Voltage



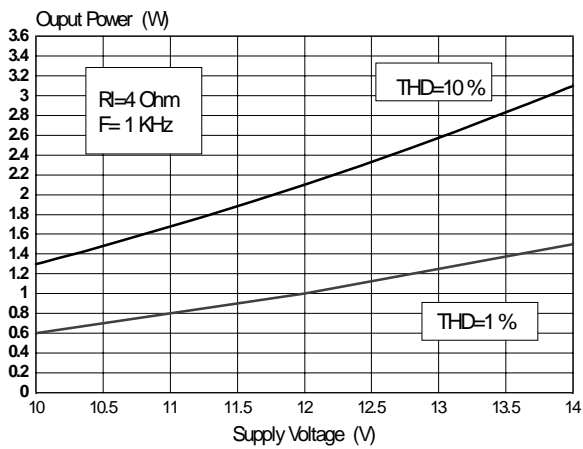
Output DC Offset vs. Supply Voltage



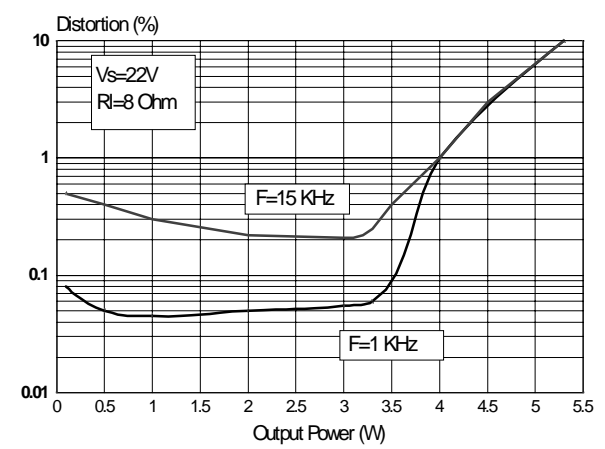
Output Power vs. Supply Voltage



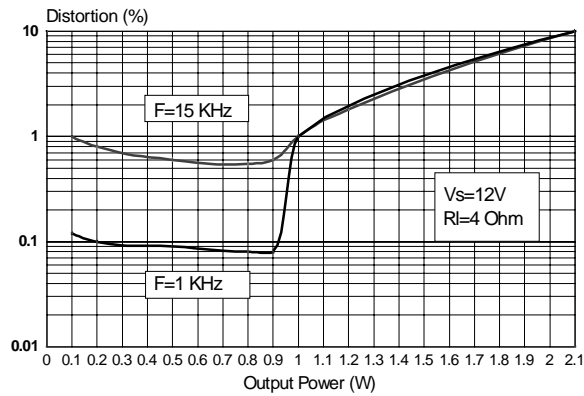
Output Power vs. Supply Voltage



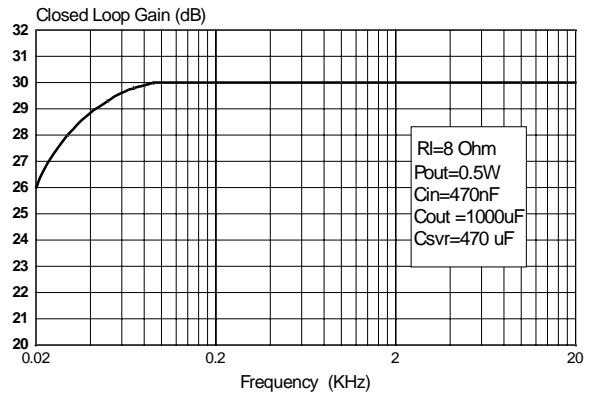
Distortion vs. Output Power



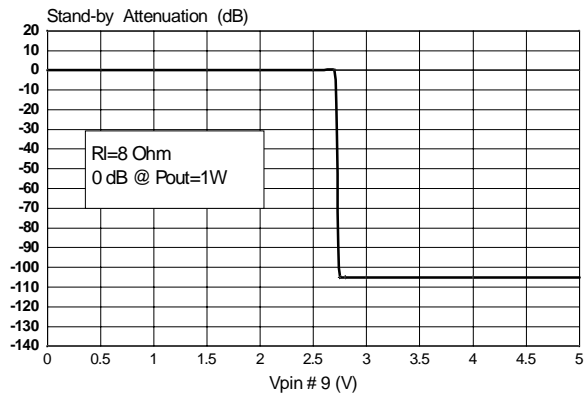
Distortion vs. Output Power



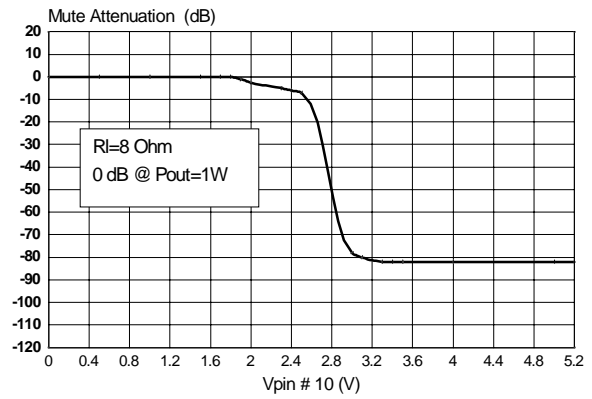
Closed Loop Gain vs. Frequency



St-By Attenuation vs. Vpin 9

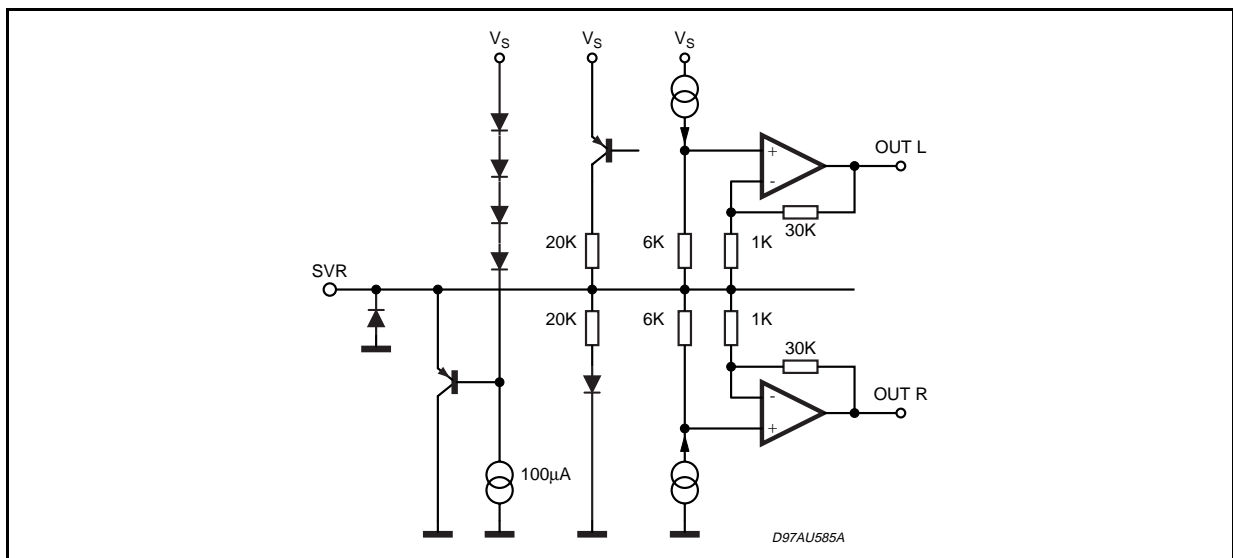


Mute Attenuation vs. Vpin 10



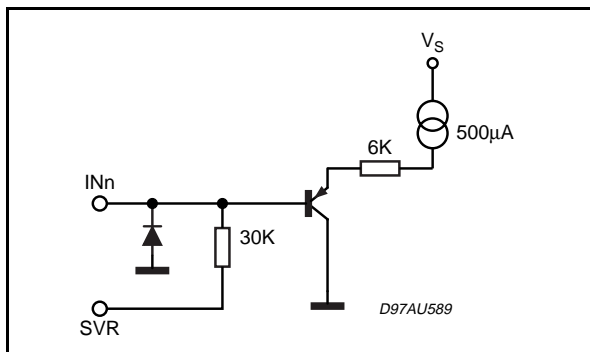
**PINS DESCRIPTION**

**PIN: SVR**

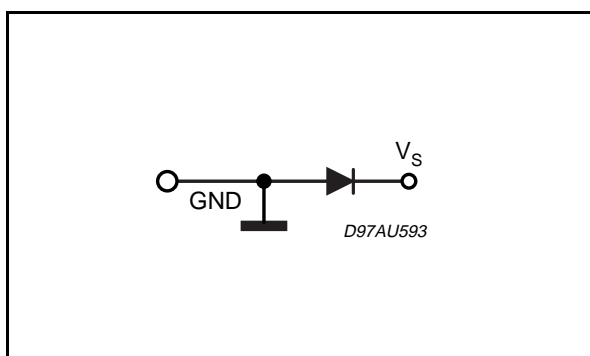


# TDA7496S

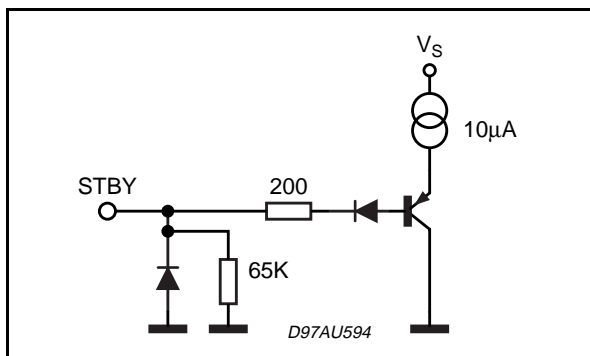
**PINS:** INL, INR



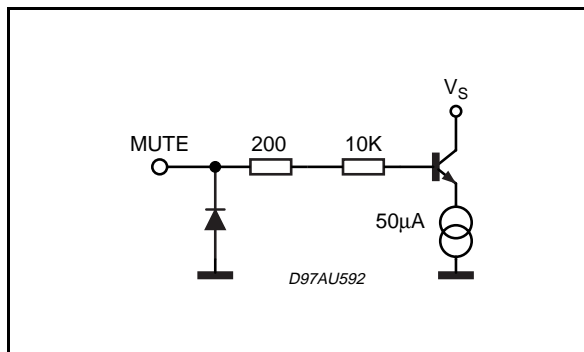
**PINS:** PW-GND, S-GND



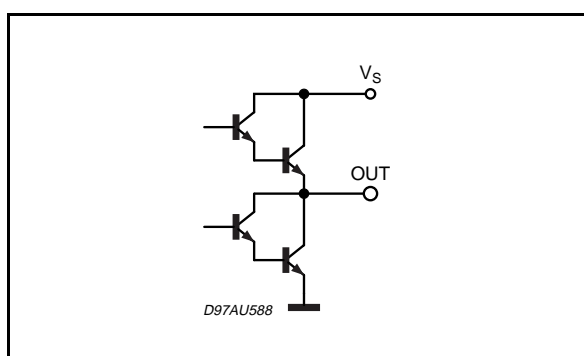
**PIN:** STBY



**PIN:** MUTE



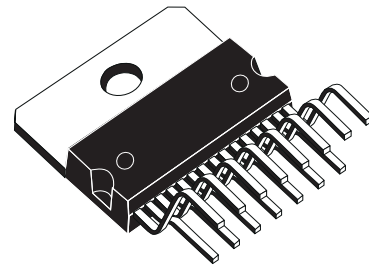
**PINS:** OUT R, OUT L



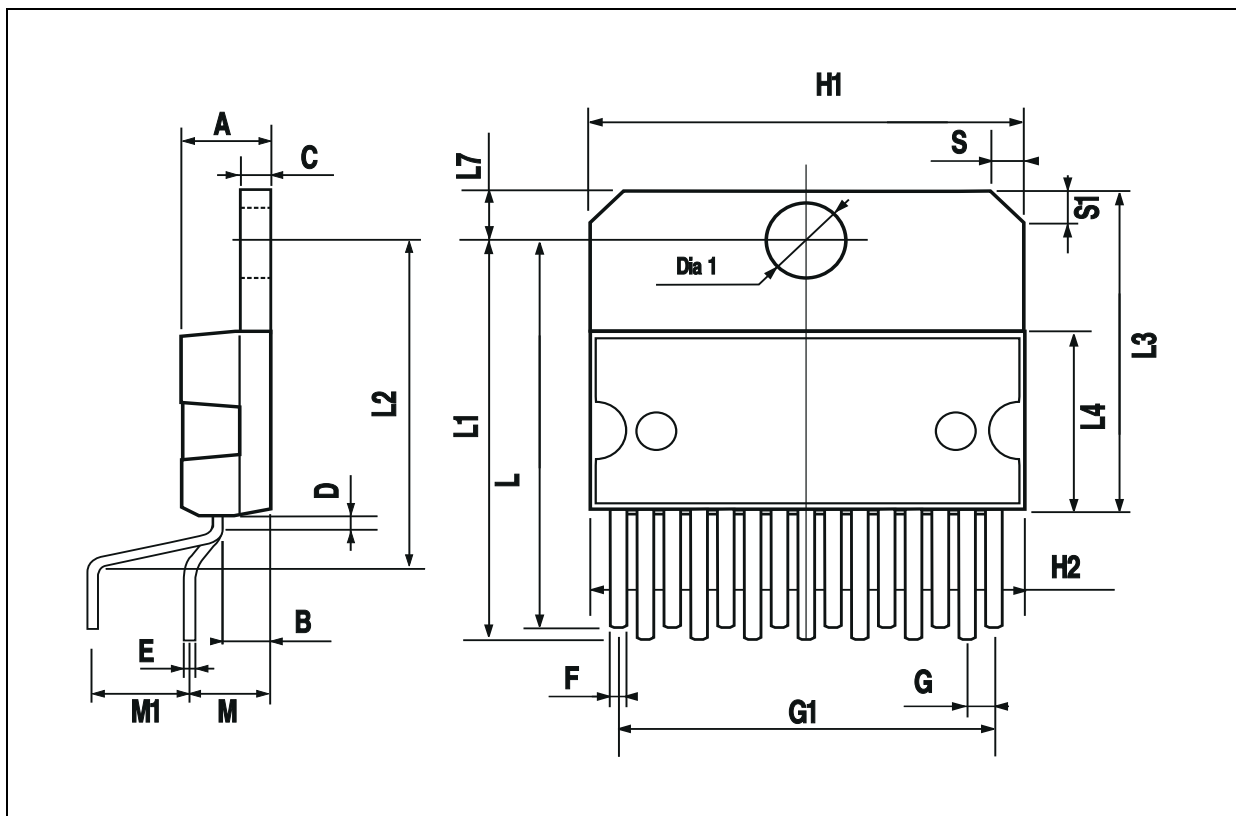


DIM.	mm			inch		
	MIN.	TYP.	MAX.	MIN.	TYP.	MAX.
A			5			0.197
B			2.65			0.104
C			1.6			0.063
D		1			0.039	
E	0.49		0.55	0.019		0.022
F	0.66		0.75	0.026		0.030
G	1.02	1.27	1.52	0.040	0.050	0.060
G1	17.53	17.78	18.03	0.690	0.700	0.710
H1	19.6			0.772		
H2			20.2			0.795
L	21.9	22.2	22.5	0.862	0.874	0.886
L1	21.7	22.1	22.5	0.854	0.870	0.886
L2	17.65		18.1	0.695		0.713
L3	17.25	17.5	17.75	0.679	0.689	0.699
L4	10.3	10.7	10.9	0.406	0.421	0.429
L7	2.65		2.9	0.104		0.114
M	4.25	4.55	4.85	0.167	0.179	0.191
M1	4.63	5.08	5.53	0.182	0.200	0.218
S	1.9		2.6	0.075		0.102
S1	1.9		2.6	0.075		0.102
Dia1	3.65		3.85	0.144		0.152

**OUTLINE AND MECHANICAL DATA**



**Multiwatt15 V**



Information furnished is believed to be accurate and reliable. However, STMicroelectronics assumes no responsibility for the consequences of use of such information nor for any infringement of patents or other rights of third parties which may result from its use. No license is granted by implication or otherwise under any patent or patent rights of STMicroelectronics. Specification mentioned in this publication are subject to change without notice. This publication supersedes and replaces all information previously supplied. STMicroelectronics products are not authorized for use as critical components in life support devices or systems without express written approval of STMicroelectronics.

The ST logo is a registered trademark of STMicroelectronics

© 2002 STMicroelectronics – Printed in Italy – All Rights Reserved

STMicroelectronics GROUP OF COMPANIES

Australia - Brazil - Canada - China - Finland - France - Germany - Hong Kong - India - Israel - Italy - Japan - Malaysia - Malta - Morocco - Singapore - Spain - Sweden - Switzerland - United Kingdom - United States.

<http://www.st.com>