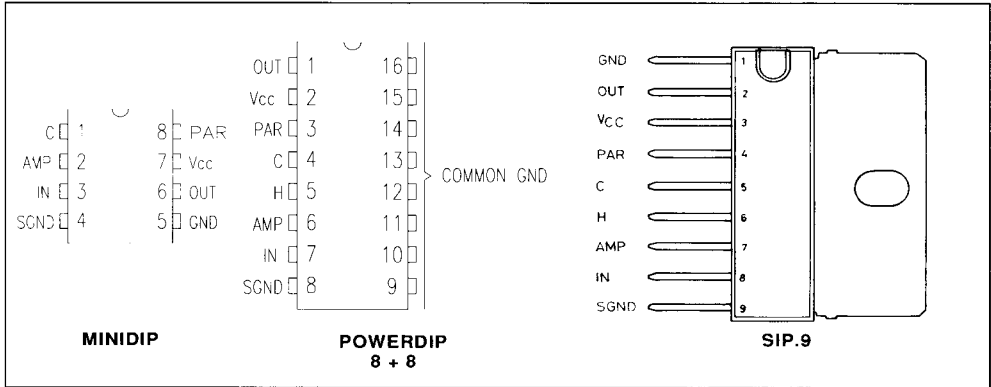




**PIN CONNECTIONS (top view)**



**ELECTRICAL CHARACTERISTICS**

$V_S = 24V, T_J = 25^\circ C$  (unless otherwise specified)

Symbol	Parameter	Test Conditions	Min.	Typ.	Max.	Unit
$V_S$	Supply Voltage		15	24	26	V
$I_S$	Supply Current	$V_{out} = LOW$		4	7	mA
$V_{SATL}$	Saturation Voltage	$I_O = 800mA$ Sink		1.2	2	V
$V_{DSAT}$	Diode Forward Voltage	$I_O = -800mA$		1.1	1.75	V
$V_{SATH}$	Saturation Voltage	$I_O = 100mA$ Source		0.8	1.25	V
$I_C$	Current Sink Pin C		40	60	90	$\mu A$
$I_{IN}$	Input Current			0.1		$\mu A$
G	Opamp Gain		4.3	4.5	4.7	
$V_O$	Output Voltage Swing	$I_{out} = \pm 1mA$	0.9		$V_S - 1.5$	V

**ABSOLUTE MAXIMUM RATINGS**

Symbol	Parameter	Value	Unit
$I_{outL}$	Output Sink Current	800	mA
$I_{outH}$	Output Source Current	100	mA
$V_S$	Supply Voltage	28	V
$V_{IN}$	Input Voltages	0.3 to $V_S$	V
$P_{tot}$	Power Dissipation at $T_{amb} = 70^\circ C$	0.8 minidip 1.1 powerdip 1.1 SIP9	W
$T_{stg}, T_J$	Storage and Junction Temperature	- 25 to + 150	$^\circ C$

**THERMAL DATA**

$R_{th(j-amb)}$			
	Minidip	100	$^\circ C/W$
	Powerdip	70	$^\circ C/W$
	SIP9	70	$^\circ C/W$