

DATA SHEET

TDA8315T Integrated NTSC decoder and sync processor

Preliminary specification
File under Integrated Circuits, IC02

September 1994

Philips Semiconductors



PHILIPS

Integrated NTSC decoder and sync processor

TDA8315T

FEATURES

- CVBS or Y/C input
- Integrated chrominance trap and bandpass filters (automatically calibrated)
- Integrated luminance delay line
- Alignment-free NTSC colour decoder
- Horizontal PLL with an alignment-free horizontal oscillator
- Vertical count-down circuit
- Low dissipation (320 mW)
- Small amount of peripheral components compared with competition ICs.

GENERAL DESCRIPTION

The TDA8315T is an alignment-free NTSC decoder/sync processor. The device can be used for normal television applications and for Picture-in-Picture (PIP) applications.

The input signal can be either CVBS or Y/C and at the outputs the following signals are available:

Luminance signal

Colour difference signals (U and V)

Horizontal and vertical synchronization pulses

Back porch clamping pulse (burst-key pulse).

The supply voltage for the IC is 8 V. It is available in a 24-pin SO package.

QUICK REFERENCE DATA

SYMBOL	PARAMETER	MIN.	TYP.	MAX.	UNIT
V_P	supply voltage (pins 11 and 12)	7.2	8.0	8.8	V
I_P	supply current	–	40	–	mA
Input voltages					
$V_{13(p-p)}$	CVBS/Y input voltage (peak-to-peak value)	–	1	–	V
$V_{15(p-p)}$	chrominance input voltage (peak-to-peak value)	–	0.3	–	V
Output signals					
$V_{O(b-w)}$	luminance output voltage (blank-to-white value)	–	1.65	–	V
$V_{21(p-p)}$	–U output voltage (peak-to-peak value)	–	1.5	–	V
$V_{20(p-p)}$	–V output voltage (peak-to-peak value)	–	1.5	–	V
V_2	horizontal sync pulse	–	4	–	V
V_7	vertical sync pulse	–	4	–	V
V_{10}	back porch clamping pulse	–	4	–	V
Control voltages					
$V_{control}$	control voltages for Saturation and Hue	0	–	5	V

ORDERING INFORMATION

TYPE NUMBER	PACKAGE		
	NAME	DESCRIPTION	VERSION
TDA8315T	SO24	plastic small outline package; 24 leads; body width 7.5 mm	SOT137-1

Integrated NTSC decoder
and sync processor

TDA8315T

BLOCK DIAGRAM

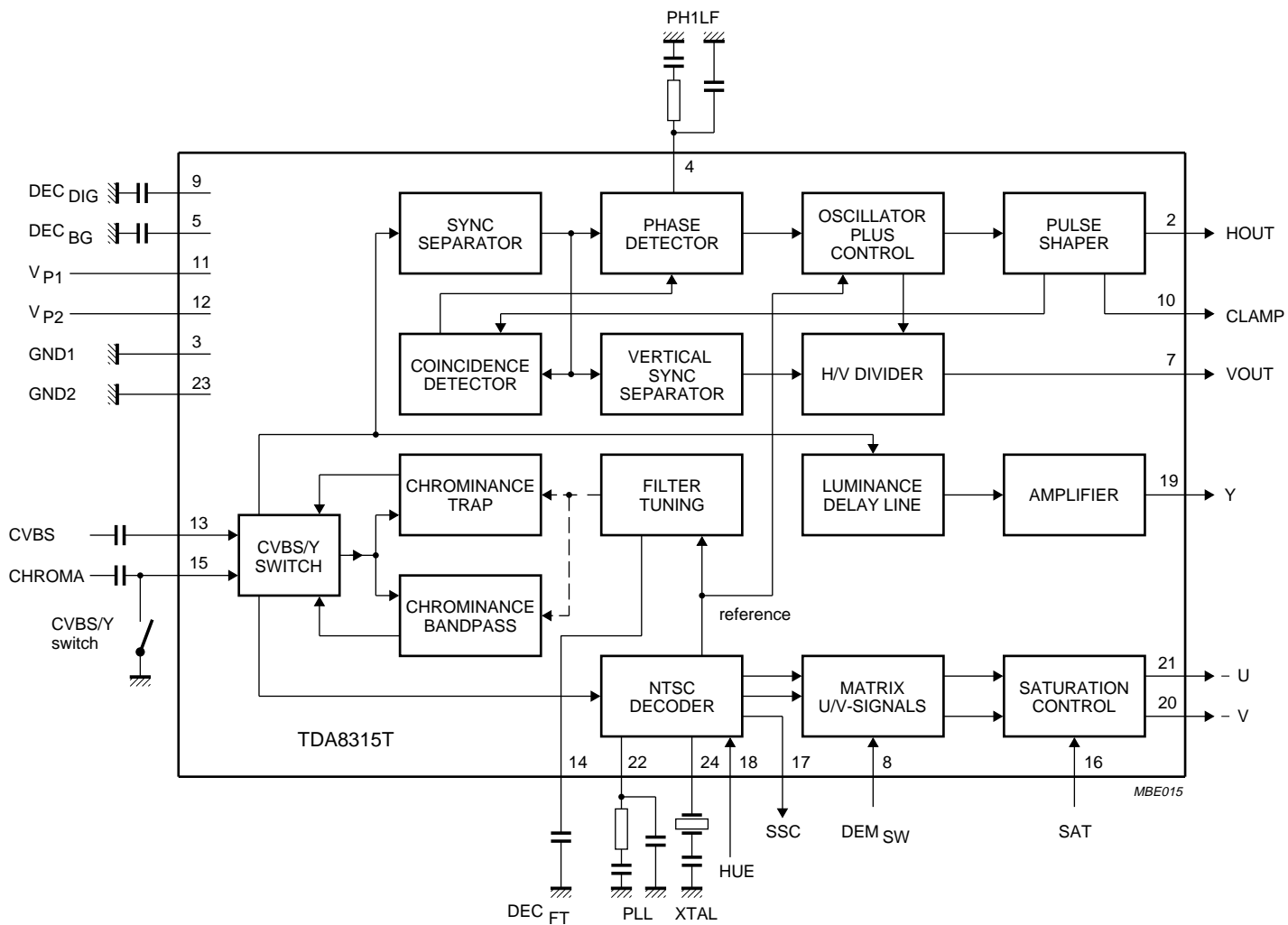


Fig.1 Block diagram.

**Integrated NTSC decoder
and sync processor**

TDA8315T

PINNING

SYMBOL	PIN	DESCRIPTION
TEST1 ⁽¹⁾	1	test pin 1
HOUT	2	horizontal output pulse
GND1	3	ground 1 (0 V)
PH1LF	4	phase 1 loop filter
DEC _{BG}	5	bandgap decoupling
TEST2 ⁽¹⁾	6	test pin 2
VOUT	7	vertical output pulse
DEM _{SW}	8	demodulation angle switch
DEC _{DIG}	9	decoupling digital supply
CLAMP	10	back porch clamping pulse
V _{P1}	11	supply voltage 1 (+8 V)
V _{P2}	12	supply voltage 2 (+8 V)
CVBS/Y	13	CVBS/Y input
DEC _{FT}	14	decoupling filter tuning
CHROMA	15	chrominance and switch input
SAT	16	saturation control input
SCS	17	sub-carrier signal output
HUE	18	hue control input
Y	19	Y output
-V	20	-V output
-U	21	-U output
PLL	22	PLL colour filter
GND2	23	ground 2 (0 V)
XTAL	24	3.58 MHz crystal connection

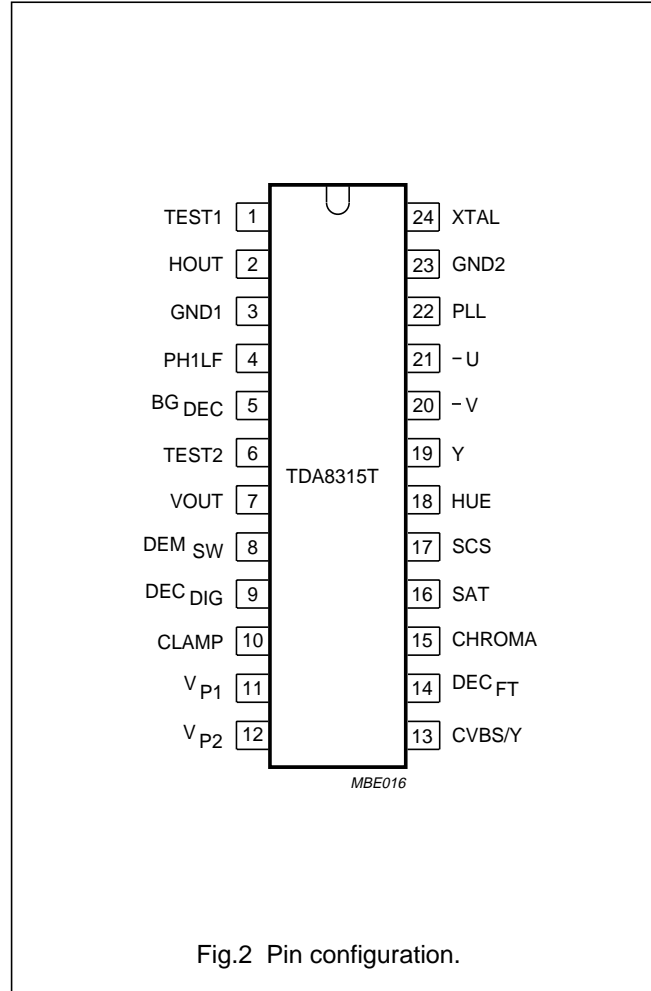


Fig.2 Pin configuration.

Note

1. In the application the test pins must be connected to ground.

Integrated NTSC decoder and sync processor

TDA8315T

FUNCTIONAL DESCRIPTION

CVBS or Y/C input

The TDA8315T has a video input which can be switched to CVBS (with internal chrominance bandpass and trap filters) and to Y/C (without chrominance bandpass and trap filters). The switching between CVBS and Y/C is achieved by the DC level of the CHROMA input (pin 15).

Integrated video filters

The circuit contains a chrominance bandpass and trap circuit. The filters are realised by gyrator circuits that are automatically tuned by comparing the tuning frequency with the crystal frequency of the decoder. The chrominance trap can be switched off by the DC level of the CHROMA input.

The luminance delay line is also realised by gyrator circuits.

Colour decoder

The colour decoder contains an alignment-free crystal oscillator, a colour killer circuit and colour difference demodulators. The gain of the two colour difference signal demodulators is identical and the phase angle of the reference carrier signals is 90° . This phase shift is achieved internally. It is possible to switch the demodulator angle to 110° by an internal matrix circuit. The switching is obtained externally via pin 8.

Synchronization circuit

The sync separator is preceded by a voltage controlled amplifier which adjusts the sync pulse amplitude to a fixed level. The sync pulses are then fed to the slicing stage (separator) which operates at 50% of the amplitude.

The separated sync pulses are fed to the first phase detector and to the coincidence detector. The coincidence detector is used to detect whether the line oscillator is synchronized. The PLL has a very high static steepness, this ensures that the phase of the picture is independent of the line frequency. The line oscillator operates at twice the line frequency.

The oscillator network is internal. Because of the spread of internal components an automatic adjustment circuit has been added to the IC.

The circuit compares the oscillator frequency with that of the crystal oscillator in the colour decoder. This results in a free-running frequency which deviates less than 2% from the typical value.

The horizontal output pulse is derived from the horizontal oscillator via a pulse shaper. The pulse width of the output pulse is $5.4 \mu\text{s}$, the front edge of this pulse coincides with the front edge of the sync pulse at the input.

The vertical output pulse is generated by a count-down circuit. The pulse width is approximately $380 \mu\text{s}$. Both the horizontal and vertical pulses will always be available at the outputs even when no input signal is available.

Integrated NTSC decoder and sync processor

TDA8315T

LIMITING VALUES

In accordance with the Absolute Maximum Rating System (IEC134).

SYMBOL	PARAMETER	MIN.	MAX.	UNIT
V_P	supply voltage	–	9.0	V
T_{stg}	storage temperature	–25	+150	°C
T_{amb}	operating ambient temperature	–25	+70	°C
T_{sld}	soldering temperature for 5 s	–	260	°C
T_j	maximum operating junction temperature	–	125	°C

THERMAL CHARACTERISTICS

SYMBOL	PARAMETER	VALUE	UNIT
$R_{th\ j-a}$	thermal resistance from junction to ambient in free air	≤65	K/W

CHARACTERISTICS

 $V_P = 8\text{ V}$; $T_{amb} = 25\text{ °C}$; unless otherwise specified.

SYMBOL	PARAMETER	CONDITIONS	MIN.	TYP.	MAX.	UNIT
Supplies						
V_P	supply voltage (pins 11 and 12)		7.2	8.0	8.8	V
I_P	supply current (pins 11 and 12)		–	40	–	mA
P_{tot}	total power dissipation		–	320	–	mW
CVBS or Y/C input						
CVBS/Y INPUT (PIN 13)						
$V_{13(p-p)}$	CVBS/Y input voltage (peak-to-peak value)	notes 1 and 2	–	1	1.4	V
I_{13}	CVBS/Y input current		–	4	–	μA
COMBINED CHROMINANCE AND SWITCH INPUT (PIN 15)						
$V_{15(p-p)}$	chrominance input voltage (peak-to-peak value)	notes 2 and 3	–	0.3	–	V
$V_{15(p-p)}$	input signal amplitude before clipping occurs (peak-to-peak value)	note 2	1	–	–	V
R_I	chrominance input resistance		–	15	–	kΩ
C_I	chrominance input capacitance	note 4	–	–	5	pF
V_{15}	DC input voltage for Y/C operation		3	4	5	V
V_{15}	DC input voltage for CVBS operation		–	–	1	V
Chrominance filters and luminance delay line						
CHROMINANCE TRAP CIRCUIT						
f_{trap}	trap frequency		–	3.58	–	MHz
B	luminance signal bandwidth	note 2	–	2.7	–	MHz
SR	colour subcarrier rejection		20	–	–	dB

Integrated NTSC decoder and sync processor

TDA8315T

SYMBOL	PARAMETER	CONDITIONS	MIN.	TYP.	MAX.	UNIT
CHROMINANCE BANDPASS CIRCUIT						
f_c	centre frequency		–	3.58	–	MHz
QBP	bandpass quality factor		–	3	–	
Y DELAY LINE						
t_d	delay time	note 2	–	390	–	ns
B	bandwidth of internal delay line	note 2	8	–	–	MHz
Y OUTPUT SIGNAL (PIN19)						
$V_{19(p-p)}$	output signal amplitude (peak-to-peak value)	note 1	–	2.27	–	V
Z_O	output impedance		–	350	–	Ω
V_{19}	top sync level		–	2.85	–	V
S/N	signal-to-noise ratio	notes 2 and 5	–	56	–	dB
Colour decoder						
CHROMINANCE AMPLIFIER						
ACC_{cr}	ACC control range	note 6	24	–	–	dB
ΔV	change in amplitude of the output signals over the ACC range		–	–	2	dB
THR_{on}	threshold colour killer ON		tbf	–31	tbf	dB
HYS_{off}	hysteresis colour killer OFF	note 2				
	strong input signal	S/N \geq 40 dB	–	+3	–	dB
	noisy input signal		–	+1	–	dB
ACL CIRCUIT						
	chrominance burst ratio at which the ACL starts to operate		2.3	–	2.7	
REFERENCE PART						
<i>Phase-locked loop; note 7 (filter connected to pin 22)</i>						
f_{CR}	catching range		300	500	–	Hz
$\Delta\phi$	phase shift for a ± 400 Hz deviation of the oscillator frequency	note 7	–	–	2	deg
<i>Oscillator (pin 24)</i>						
TC_{osc}	temperature coefficient of f_{osc}	note 2	–	2.0	2.5	Hz/K
Δf_{osc}	f_{osc} deviation with respect to V_P	note 2; $V_P = 8 V \pm 10\%$	–	–	250	Hz
R_I	input resistance	note 4	–	1.5	–	k Ω
C_I	input capacitance	note 4	–	–	10	pF
HUE CONTROL INPUT (PIN 18)						
HUE_{cr}	hue control range	see also Fig.3	± 35	± 45	–	deg
SATURATION CONTROL INPUT (PIN 16)						
SAT_{cr}	saturation control range	see also Fig.4	52	–	–	dB

Integrated NTSC decoder and sync processor

TDA8315T

SYMBOL	PARAMETER	CONDITIONS	MIN.	TYP.	MAX.	UNIT
DEMODULATOR OUTPUTS (PINS 20 AND 21)						
B	bandwidth of demodulators	-3 dB; note 8	-	650	-	kHz
$\Delta V_O/\Delta T$	change of output signal amplitude with temperature	note 2	-	0.1	-	%/K
$\Delta V_O/\Delta V_P$	change of output signal amplitude with supply voltage	note 2	-	-	± 0.1	dB
G	gain ratio of demodulator $G(-U)/G(-V)$		0.9	1.0	1.1	
	demodulator angle					
	pin 8 LOW		85	90	95	deg
	pin 8 HIGH		105	110	115	deg
$V_{21(p-p)}$	-U output signal amplitude at nominal saturation (peak-to-peak value)	note 9	-	1.5	-	V
$V_{20(p-p)}$	-V output signal amplitude at nominal saturation (peak-to-peak value)	note 9	-	1.5	-	V
Z_O	output impedance (-U)/(-V) output		-	-	500	Ω
V_O	DC output voltage		-	3	-	V
DEMODULATION ANGLE SWITCH INPUT (PIN 8)						
V_8	input voltage for 90° angle		-	-	1	V
V_8	input voltage for 110° angle		$V_P - 1$	-	-	V
SUBCARRIER OUTPUT SIGNAL (PIN 17)						
$V_{17(p-p)}$	output signal amplitude (peak-to-peak value)		-	300	-	mV
Z_O	output impedance		-	250	-	Ω
V_O	DC output voltage		-	1.6	-	V
Horizontal and vertical synchronization circuits						
SYNC VIDEO INPUT (PIN 13)						
V_{13}	sync pulse amplitude	note 4	50	300	-	mV
SL	slicing level	note 10	-	50	-	%
VERTICAL SYNC						
t_w	width of the vertical sync pulse without sync instability	note 11	22	-	-	μs
HORIZONTAL OSCILLATOR						
f_{fr}	free-running frequency		-	15734	-	Hz
Δf_{fr}	spread on free running frequency		-	-	± 2	%
$\Delta f_{osc}/\Delta V_P$	frequency variation with respect to the supply voltage	$V_P = 8 V \pm 10\%$; note 2	-	0.2	0.5	%
$\Delta f_{osc}/\Delta T$	frequency variation with temperature	note 2	-	-	tbf	Hz/K

Integrated NTSC decoder and sync processor

TDA8315T

SYMBOL	PARAMETER	CONDITIONS	MIN.	TYP.	MAX.	UNIT
HORIZONTAL PLL; NOTE 12 (FILTER CONNECTED TO PIN 4)						
f_{HR}	holding range PLL		–	± 0.9	± 1.2	kHz
f_{CR}	catching range PLL	note 2	± 0.6	± 0.9	–	kHz
S/N	signal-to-noise ratio of the video input signal at which the time constant is switched		–	20	–	dB
HYS	hysteresis at the switching point		–	3	–	dB
HORIZONTAL OUTPUT (PIN 2)						
V_{OH}	HIGH level output voltage	$I_O = 2 \text{ mA}$	2.4	4.0	–	V
V_{OL}	LOW level output voltage	$I_O = 2 \text{ mA}$	–	0.3	0.6	V
$I_{O(sink)}$	output sink current		–	–	2	mA
$I_{O(source)}$	output source current		–	–	2	mA
t_W	pulse width	note 13	–	5.4	–	μs
t_d	delay time between positive edge of the horizontal output pulse and start of the horizontal sync pulse at the input		–	0	–	μs
BACK PORCH CLAMPING OUTPUT (PIN 10)						
V_{OH}	HIGH level output voltage	$I_O = 2 \text{ mA}$	2.4	4.0	–	V
V_{OL}	LOW level output voltage	$I_O = 2 \text{ mA}$	–	0.3	0.6	V
$I_{O(sink)}$	output sink current		–	–	2	mA
$I_{O(source)}$	output source current		–	–	2	mA
t_W	pulse width		3.2	3.4	3.6	μs
t_d	delay time between start of clamping pulse and start of the start sync pulse		5.2	5.4	5.6	μs
VERTICAL OUTPUT (PIN 7); NOTE 14						
f_{fr}	free-running frequency		–	60	–	Hz
f_{lock}	locking range		54.6	–	64.5	Hz
	divider value not locked		–	525	–	
	locking range (lines/frame)		488	–	576	
V_{OH}	HIGH level output voltage	$I_O = 2 \text{ mA}$	2.4	4.0	–	V
V_{OL}	LOW level output voltage	$I_O = 2 \text{ mA}$	–	0.3	0.6	V
$I_{O(sink)}$	output sink current		–	–	2	mA
$I_{O(source)}$	output source current		–	–	2	mA
t_W	pulse width (6 line periods)		–	380	–	μs
t_d	delay time between start of the vertical sync pulse at the input and the positive edge of the output pulse		–	37.5	–	μs

Integrated NTSC decoder and sync processor

TDA8315T

Notes to the characteristics

1. Signal with negative-going sync. Amplitude includes sync pulse amplitude.
2. This parameter is not tested during production and is guaranteed by the design and qualified by matrix batches which are made in the pilot production period.
3. Burst amplitude; for a colour bar with 75% saturation the chrominance signal amplitude is 660 mV (p-p).
4. This parameter is not tested during production and is just given as application information for the designer of the television receiver.
5. The signal-to-noise ratio is specified as a peak-to-peak signal with respect to RMS noise (bandwidth 5 MHz).
6. At a chrominance input voltage of 660 mV (p-p) (colour bar with 75% saturation i.e. burst signal amplitude 300 mV (p-p)) the dynamic range of the ACC is +6 and -18 dB.
7. All frequency variations are referenced to 3.58 MHz carrier frequency.
All oscillator specifications are measured with the Philips crystal series 9922 520.
If the spurious response of the crystal is lower than -3 dB with respect to the fundamental frequency for a damping resistance of 1.5 k Ω , oscillation at the fundamental frequency is guaranteed.
The catching and detuning range are measured for nominal crystal parameters. These are:
 - a) load resonance frequency f_0 ($C_L = 20$ pF) = 3.579545 MHz
 - b) motional capacitance $C_M = 14.5$ fF
 - c) parallel capacitance $C_0 = 4.5$ pF.
 The actual load capacitance in the application should be $C_L = 18$ pF to account for parasitic capacitances on and off chip.
The free-running frequency of the oscillator can be checked by pulling the saturation control pin to the positive supply rail. In that condition the colour killer is not active so that the frequency offset is visible on the screen.
8. This value indicates the bandwidth of the complete chrominance circuit including the chrominance bandpass filter. The bandwidth of the demodulator low-pass filter is approximately 1 MHz.
9. Output signal amplitude for a standard colour bar signal with 75% saturation and a demodulation angle of 90°. For a demodulation angle of 110° the -V signal amplitude will decrease to 1.2 V (p-p) and the -U signal amplitude remains unchanged. The nominal saturation is specified as maximum -6 dB.
10. Slicing level independent of sync pulse amplitude. The slicing level of the vertical sync separator is 70% (slicing level in direction of black level) during strong signal reception (no noise detected in the incoming signal) and 30% during weak signal reception.
11. The horizontal and vertical sync are stable while processing Copy Guard signals and signals with phase shifted sync pulses (stretched tapes). Trick mode conditions of the VCR will also not disturb the synchronization. The value given is the delay caused by the vertical sync pulse integrator. The integrator has been designed such that the vertical sync is not disturbed for special anti-copy tapes with vertical sync pulses with an on/off time of 10/22 μ s.
12. To obtain a good performance for both weak signal and VCR playback the time constant of the first control loop is switched depending on the input signal condition. Therefore the circuit contains a noise detector and the time constant is switched to 'slow' when excessive noise is present in the signal. In the 'fast' mode during the vertical retrace time the phase detector current is increased 50% so that phase errors due to head-switching of the VCR are corrected as soon as possible.
To prevent the horizontal synchronization being disturbed by anti-copy guard signals such as Macrovision the phase detector is gated during the vertical retrace period so that pulses during scan have no effect on the output voltage. The width of the gate pulse is approximately 12 μ s. during weak signal conditions (noise detector active) the gating is active during the complete scan period and the width of the gate pulse is reduced to 5.7 μ s so that the effect of the noise is reduced to a minimum.
The output current of the phase detector in the two modes is shown in Table 1.

Integrated NTSC decoder and sync processor

TDA8315T

13. The horizontal output pulses are obtained from the horizontal oscillator by a pulse shaper. The width of the output pulse is approximately 5.4 μs and the rising edge of the pulse symmetrically coincides with the start of the sync pulse at the input.
14. The vertical output pulses are generated by a divider circuit. The vertical output pulse has a delay of 37.5 μs with respect to the start of the vertical sync pulse at the input. This is caused by the clock frequency of the divider being twice the horizontal frequency.

This divider circuit has 2 modes of operation:

Search mode (large window).

This mode is switched on when the circuit is not synchronized or, when a non-standard signal is received (the number of lines per frame outside the range is between 261 and 264). In the search mode the divider can be triggered between line 244 and line 288 (approximately 54 to 64.5 Hz).

Standard mode (narrow window).

This mode is switched on when more than 15 successive vertical sync pulses are detected in the narrow window. When the circuit is in the standard mode and a vertical sync pulse is missing the output pulse is generated at the end of the window. Consequently, the disturbance of the picture is very small. The circuit will switch back to the search window when, for 6 successive vertical periods, no sync pulses are found within the window. When no input signal is available the divider generates output pulses with a timing of 262.5 lines (standard 60 Hz signal).

Table 1 Output current of phase detector.

CURRENT PHASE DETECTOR DURING	SCAN (μA)	VERTICAL RETRACE (μA)	GATED YES/NO
Weak signal and synchronized	30	30	YES (5.7 μs)
Strong signal and synchronized	180	270	YES (12 μs) ⁽¹⁾
Not synchronized	180	270	NO

Note

- Vertical retrace.

QUALITY SPECIFICATION

Quality level in accordance with SNW-FQ-611-part E.

SYMBOL	PARAMETER	RANGE A ⁽²⁾	RANGE B ⁽³⁾	UNIT
ESD	protection circuit specification (note 1)	>2000	>200	V
		100	200	pF
		1500	0	Ω

Notes

- All pins are protected against ESD by means of internal clamping diodes.
- Range A is for Human body model.
- Range B is for machine model.

Latch up

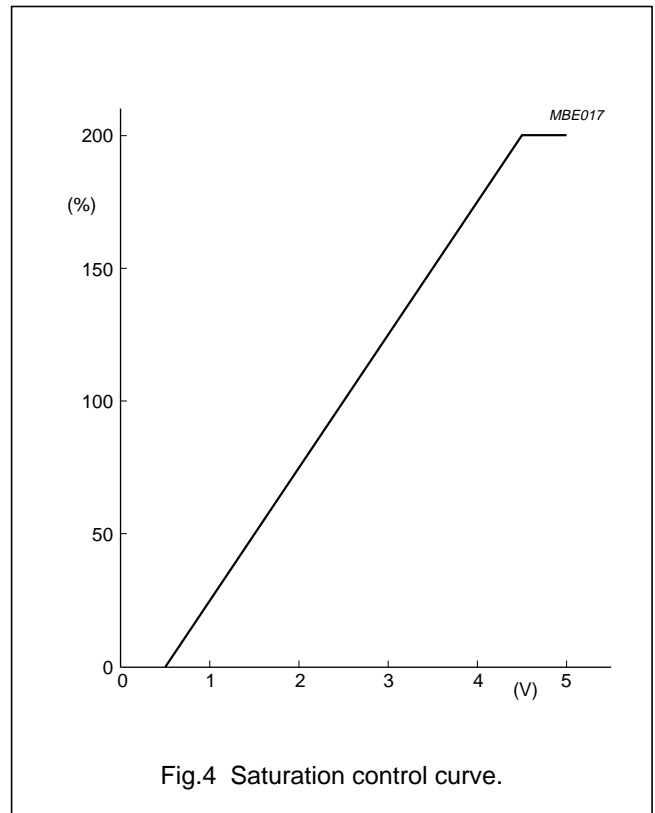
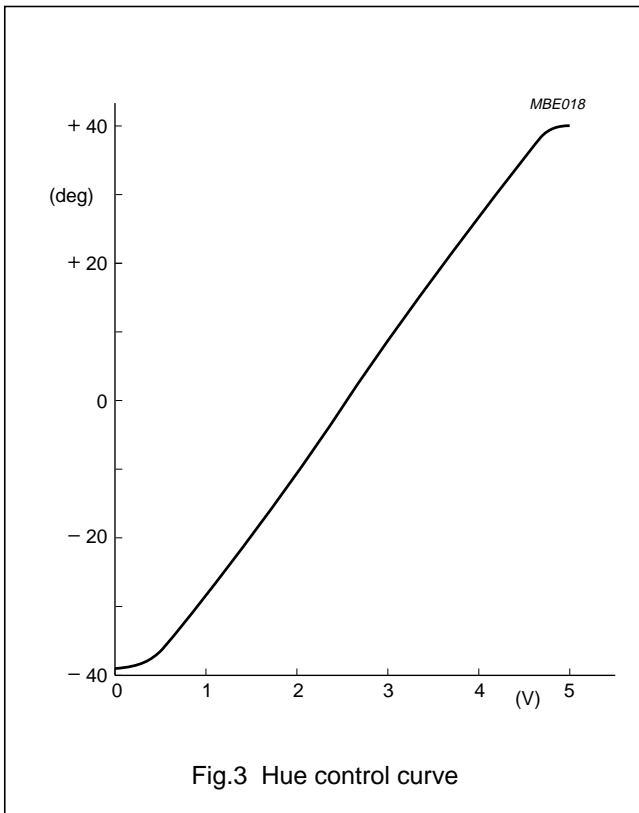
All pins meet the specification:

$$I_{\text{trigger}} \geq 100 \text{ mA or } \geq 1.5 V_{\text{DDmax}}$$

$$I_{\text{trigger}} \leq -100 \text{ mA or } \leq -0.5 V_{\text{DDmax}}$$

Integrated NTSC decoder
and sync processor

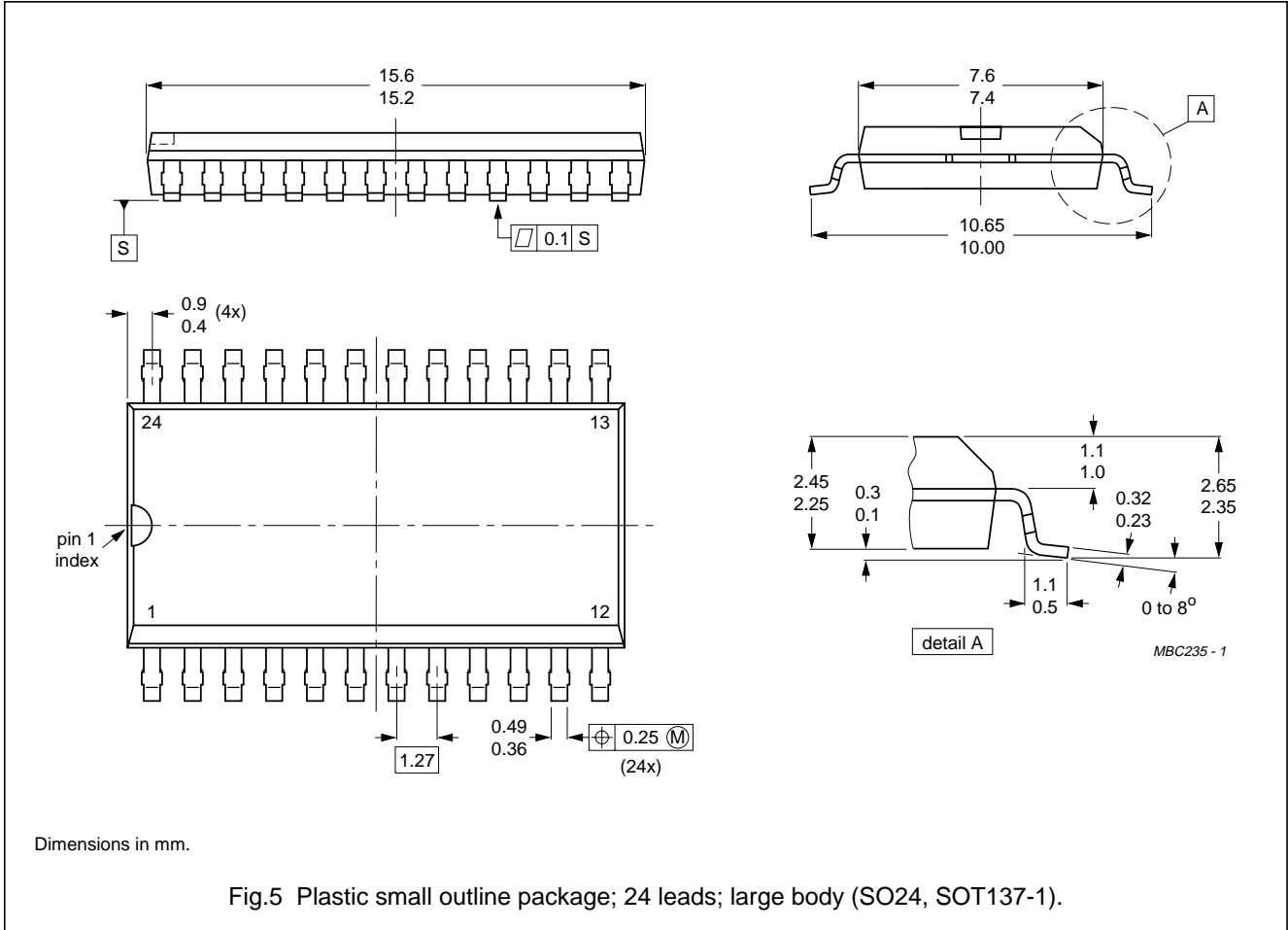
TDA8315T



Integrated NTSC decoder
and sync processor

TDA8315T

PACKAGE OUTLINE



Integrated NTSC decoder and sync processor

TDA8315T

SOLDERING

Plastic small-outline packages

BY WAVE

During placement and before soldering, the component must be fixed with a droplet of adhesive. After curing the adhesive, the component can be soldered. The adhesive can be applied by screen printing, pin transfer or syringe dispensing.

Maximum permissible solder temperature is 260 °C, and maximum duration of package immersion in solder bath is 10 s, if allowed to cool to less than 150 °C within 6 s. Typical dwell time is 4 s at 250 °C.

A modified wave soldering technique is recommended using two solder waves (dual-wave), in which a turbulent wave with high upward pressure is followed by a smooth laminar wave. Using a mildly-activated flux eliminates the need for removal of corrosive residues in most applications.

BY SOLDER PASTE REFLOW

Reflow soldering requires the solder paste (a suspension of fine solder particles, flux and binding agent) to be applied to the substrate by screen printing, stencilling or pressure-syringe dispensing before device placement.

Several techniques exist for reflowing; for example, thermal conduction by heated belt, infrared, and vapour-phase reflow. Dwell times vary between 50 and 300 s according to method. Typical reflow temperatures range from 215 to 250 °C.

Preheating is necessary to dry the paste and evaporate the binding agent. Preheating duration: 45 min at 45 °C.

REPAIRING SOLDERED JOINTS (BY HAND-HELD SOLDERING IRON OR PULSE-HEATED SOLDER TOOL)

Fix the component by first soldering two, diagonally opposite, end pins. Apply the heating tool to the flat part of the pin only. Contact time must be limited to 10 s at up to 300 °C. When using proper tools, all other pins can be soldered in one operation within 2 to 5 s at between 270 and 320 °C. (Pulse-heated soldering is not recommended for SO packages.)

For pulse-heated solder tool (resistance) soldering of VSO packages, solder is applied to the substrate by dipping or by an extra thick tin/lead plating before package placement.

**Integrated NTSC decoder
and sync processor**

TDA8315T

DEFINITIONS

Data sheet status	
Objective specification	This data sheet contains target or goal specifications for product development.
Preliminary specification	This data sheet contains preliminary data; supplementary data may be published later.
Product specification	This data sheet contains final product specifications.
Limiting values	
Limiting values given are in accordance with the Absolute Maximum Rating System (IEC 134). Stress above one or more of the limiting values may cause permanent damage to the device. These are stress ratings only and operation of the device at these or at any other conditions above those given in the Characteristics sections of the specification is not implied. Exposure to limiting values for extended periods may affect device reliability.	
Application information	
Where application information is given, it is advisory and does not form part of the specification.	

LIFE SUPPORT APPLICATIONS

These products are not designed for use in life support appliances, devices, or systems where malfunction of these products can reasonably be expected to result in personal injury. Philips customers using or selling these products for use in such applications do so at their own risk and agree to fully indemnify Philips for any damages resulting from such improper use or sale.

Philips Semiconductors – a worldwide company

Argentina: IEROD, Av. Juramento 1992 - 14.b, (1428)
BUENOS AIRES, Tel. (541)786 7633, Fax. (541)786 9367

Australia: 34 Waterloo Road, NORTH RYDE, NSW 2113,
Tel. (02)805 4455, Fax. (02)805 4466

Austria: Triester Str. 64, A-1101 WIEN, P.O. Box 213,
Tel. (01)60 101-1236, Fax. (01)60 101-1211

Belgium: Postbus 90050, 5600 PB EINDHOVEN, The Netherlands,
Tel. (31)40 783 749, Fax. (31)40 788 399

Brazil: Rua do Rocio 220 - 5th floor, Suite 51,
CEP: 04552-903-SÃO PAULO-SP, Brazil.
P.O. Box 7383 (01064-970).

Tel. (011)821-2333, Fax. (011)829-1849

Canada: PHILIPS SEMICONDUCTORS/COMPONENTS:
Tel. (800) 234-7381, Fax. (708) 296-8556

Chile: Av. Santa Maria 0760, SANTIAGO,
Tel. (02)773 816, Fax. (02)777 6730

Colombia: IPRELENZO LTDA, Carrera 21 No. 56-17,
77621 BOGOTA, Tel. (571)249 7624/(571)217 4609,
Fax. (571)217 4549

Denmark: Prags Boulevard 80, PB 1919, DK-2300 COPENHAGEN S,
Tel. (032)88 2636, Fax. (031)57 1949

Finland: Sinikalliontie 3, FIN-02630 ESPOO,
Tel. (9)0-50261, Fax. (9)0-520971

France: 4 Rue du Port-aux-Vins, BP317,
92156 SURESNES Cedex,
Tel. (01)4099 6161, Fax. (01)4099 6427

Germany: P.O. Box 10 63 23, 20043 HAMBURG,
Tel. (040)3296-0, Fax. (040)3296 213.

Greece: No. 15, 25th March Street, GR 17778 TAVROS,
Tel. (01)4894 339/4894 911, Fax. (01)4814 240

Hong Kong: PHILIPS HONG KONG Ltd., 6/F Philips Ind. Bldg.,
24-28 Kung Yip St., KWAI CHUNG, N.T.,
Tel. (852)424 5121, Fax. (852)428 6729

India: Philips INDIA Ltd, Shivsagar Estate, A Block,
Dr. Annie Besant Rd. Worli, Bombay 400 018
Tel. (022)4938 541, Fax. (022)4938 722

Indonesia: Philips House, Jalan H.R. Rasuna Said Kav. 3-4,
P.O. Box 4252, JAKARTA 12950,
Tel. (021)5201 122, Fax. (021)5205 189

Ireland: Newstead, Clonskeagh, DUBLIN 14,
Tel. (01)640 000, Fax. (01)640 200

Italy: PHILIPS SEMICONDUCTORS S.r.l.,
Piazza IV Novembre 3, 20124 MILANO,
Tel. (0039)2 6752 2531, Fax. (0039)2 6752 2557

Japan: Philips Bldg 13-37, Kohnan2-chome, Minato-ku, TOKYO 108,
Tel. (03)3740 5028, Fax. (03)3740 0580

Korea: (Republic of) Philips House, 260-199 Itaewon-dong,
Yongsan-ku, SEOUL, Tel. (02)794-5011, Fax. (02)798-8022

Malaysia: No. 76 Jalan Universiti, 46200 PETALING JAYA,
SELANGOR, Tel. (03)750 5214, Fax. (03)757 4880

Mexico: 5900 Gateway East, Suite 200, EL PASO, TX 79905,
Tel. 9-5(800)234-7381, Fax. (708)296-8556

Netherlands: Postbus 90050, 5600 PB EINDHOVEN, Bldg. VB
Tel. (040)783749, Fax. (040)788399

New Zealand: 2 Wagener Place, C.P.O. Box 1041, AUCKLAND,
Tel. (09)849-4160, Fax. (09)849-7811

Norway: Box 1, Manglerud 0612, OSLO,
Tel. (022)74 8000, Fax. (022)74 8341

Pakistan: Philips Electrical Industries of Pakistan Ltd.,
Exchange Bldg. ST-2/A, Block 9, KDA Scheme 5, Clifton,
KARACHI 75600, Tel. (021)587 4641-49,
Fax. (021)577035/5874546.

Philippines: PHILIPS SEMICONDUCTORS PHILIPPINES Inc,
106 Valero St. Salcedo Village, P.O. Box 2108 MCC, MAKATI,
Metro MANILA, Tel. (02)810 0161, Fax. (02)817 3474

Portugal: PHILIPS PORTUGUESA, S.A.,
Rua dr. António Loureiro Borges 5, Arquiparque - Miraflores,
Apartado 300, 2795 LINDA-A-VELHA,
Tel. (01)14163160/4163333, Fax. (01)14163174/4163366.

Singapore: Lorong 1, Toa Payoh, SINGAPORE 1231,
Tel. (65)350 2000, Fax. (65)251 6500

South Africa: S.A. PHILIPS Pty Ltd.,
195-215 Main Road Martindale, 2092 JOHANNESBURG,
P.O. Box 7430 Johannesburg 2000,
Tel. (011)470-5911, Fax. (011)470-5494.

Spain: Balmes 22, 08007 BARCELONA,
Tel. (03)301 6312, Fax. (03)301 42 43

Sweden: Kottbygatan 7, Akalla. S-164 85 STOCKHOLM,
Tel. (0)8-632 2000, Fax. (0)8-632 2745

Switzerland: Allmendstrasse 140, CH-8027 ZÜRICH,
Tel. (01)488 2211, Fax. (01)481 77 30

Taiwan: PHILIPS TAIWAN Ltd., 23-30F, 66, Chung Hsiao West
Road, Sec. 1, Taipei, Taiwan ROC, P.O. Box 22978,
TAIPEI 100, Tel. (02)388 7666, Fax. (02)382 4382.

Thailand: PHILIPS ELECTRONICS (THAILAND) Ltd.,
209/2 Sanpavuth-Bangna Road Prakanong,
Bangkok 10260, THAILAND,
Tel. (662)398-0141, Fax. (662)398-3319.

Turkey: Talatpasa Cad. No. 5, 80640 GÜLTEPE/ISTANBUL,
Tel. (0212)279 2770, Fax. (0212)269 3094

United Kingdom: Philips Semiconductors LTD.,
276 Bath road, Hayes, MIDDLESEX UB3 5BX,
Tel. (081)73050000, Fax. (081)7548421

United States: 811 East Arques Avenue, SUNNYVALE,
CA 94088-3409, Tel. (800)234-7381, Fax. (708)296-8556

Uruguay: Coronel Mora 433, MONTEVIDEO,
Tel. (02)70-4044, Fax. (02)92 0601

For all other countries apply to: Philips Semiconductors,
International Marketing and Sales, Building BE-p,
P.O. Box 218, 5600 MD, EINDHOVEN, The Netherlands,
Telex 35000 phtcnl, Fax. +31-40-724825

SCD34

© Philips Electronics N.V. 1994

All rights are reserved. Reproduction in whole or in part is prohibited without the prior written consent of the copyright owner.

The information presented in this document does not form part of any quotation or contract, is believed to be accurate and reliable and may be changed without notice. No liability will be accepted by the publisher for any consequence of its use. Publication thereof does not convey nor imply any license under patent- or other industrial or intellectual property rights.

Printed in The Netherlands

533061/1500/01/pp16

Date of release: September 1994

Document order number:

9397 739 00011

Philips Semiconductors



PHILIPS