

# TDF8591TH

2 × 100 W SE (4 Ω) or 1 × 310 W BTL (4 Ω) class-D amplifier

Rev. 01 — 5 March 2008

Product data sheet

## 1. General description

The TDF8591TH is a high-efficiency class-D audio power amplifier with low power dissipation for application in car audio systems. The typical output power is 2 × 100 W into 4 Ω.

The TDF8591TH is available in an HSOP24 power package with a small internal heat sink. Depending on the supply voltage and load conditions, a small or even no external heat sink is required. The amplifier operates over a wide supply voltage range from ±14 V to ±29 V and consumes a low quiescent current.

## 2. Features

- Zero dead time switching
- Advanced output current protection
- No DC offset induced pop noise at mode transitions
- High efficiency
- Supply voltage from ±14 V to ±29 V
- Low quiescent current
- Usable as a stereo Single-Ended (SE) amplifier or as a mono amplifier in Bridge-Tied Load (BTL)
- Fixed gain of 26 dB in SE and 32 dB in BTL
- High BTL output power: 310 W into 4 Ω
- Suitable for speakers in the 2 Ω to 8 Ω range
- High supply voltage ripple rejection
- Internal oscillator or synchronized to an external clock
- Full short-circuit proof outputs across load and to supply lines
- Thermal foldback and thermal protection
- AEC-Q100 qualified

## 3. Ordering information

Table 1. Ordering information

Type number	Package		Version
	Name	Description	
TDF8591TH	HSOP24	plastic, heatsink small outline package; 24 leads; low stand-off height	SOT566-3

### 4. Block diagram

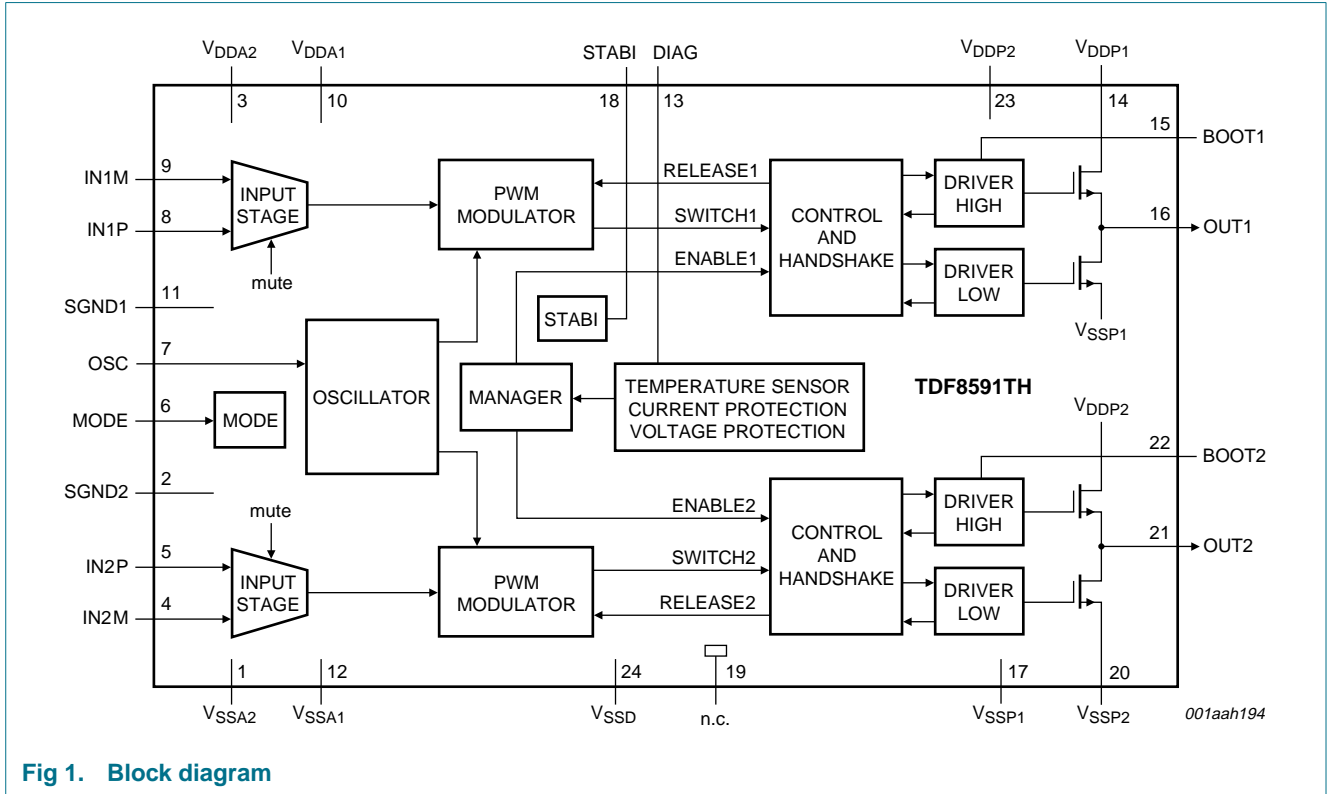


Fig 1. Block diagram

### 5. Pinning information

#### 5.1 Pinning

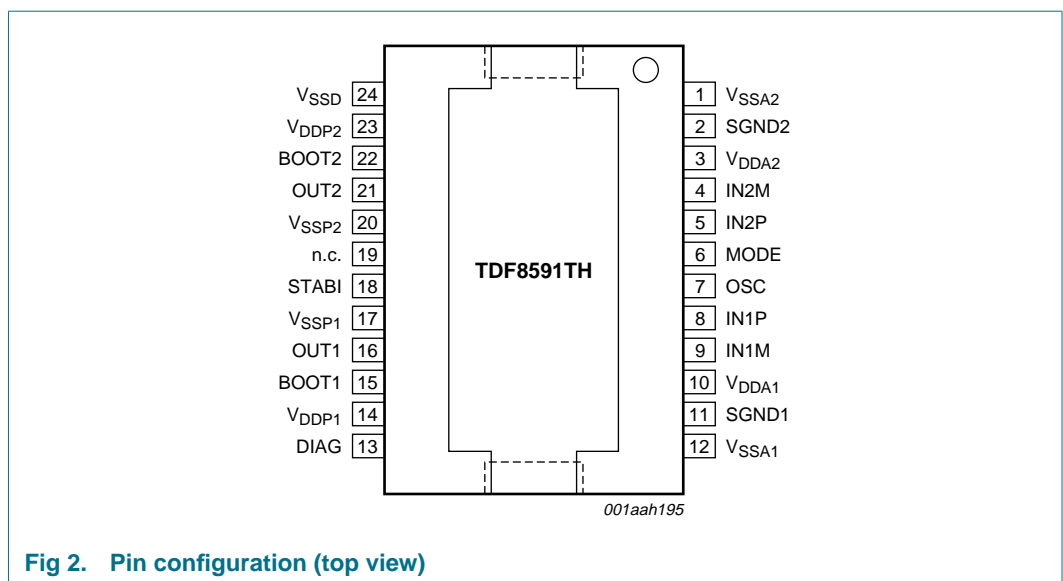


Fig 2. Pin configuration (top view)

## 5.2 Pin description

**Table 2. Pin description**

Symbol	Pin	Description
V <sub>SSA2</sub>	1	negative analog supply voltage for channel 2
SGND2	2	signal ground for channel 2
V <sub>DDA2</sub>	3	positive analog supply voltage for channel 2
IN2M	4	negative audio input for channel 2
IN2P	5	positive audio input for channel 2
MODE	6	mode selection input: standby, mute or operating
OSC	7	oscillator frequency adjustment or tracking input
IN1P	8	positive audio input for channel 1
IN1M	9	negative audio input for channel 1
V <sub>DDA1</sub>	10	positive analog supply voltage for channel 1
SGND1	11	signal ground for channel 1
V <sub>SSA1</sub>	12	negative analog supply voltage for channel 1
DIAG	13	diagnostic for activated current protection
V <sub>DDP1</sub>	14	positive power supply voltage for channel 1
BOOT1	15	bootstrap capacitor for channel 1
OUT1	16	PWM output from channel 1
V <sub>SSP1</sub>	17	negative power supply voltage for channel 1
STABI	18	decoupling of internal stabilizer for logic supply
n.c.	19	not connected
V <sub>SSP2</sub>	20	negative power supply voltage for channel 2
OUT2	21	PWM output from channel 2
BOOT2	22	bootstrap capacitor for channel 2
V <sub>DDP2</sub>	23	positive power supply voltage for channel 2
V <sub>SSD</sub>	24	negative digital supply voltage <sup>[1]</sup>

[1] The heatsink is internally connected to V<sub>SSD</sub>.

## 6. Functional description

### 6.1 Introduction

The TDF8591TH is a dual channel audio power amplifier using class-D technology. The audio input signal is converted into a Pulse Width Modulated (PWM) signal via an analog input stage and PWM modulator. To enable the output power transistors to be driven, this digital PWM signal is applied to a control and handshake block and driver circuits for both the high-side and low-side. An external 2nd-order low-pass filter converts the PWM output signal to an analog audio signal across the loudspeakers.

The TDF8591TH contains two independent amplifier channels with a differential input stage, high output power, high efficiency (90 %), low distortion and a low quiescent current. The amplifier channels can be connected in the following configurations:

- Mono Bridge-Tied Load (BTL) amplifier
- Dual Single-Ended (SE) amplifiers

The TDF8591TH also contains circuits common to both channels such as the oscillator, all reference sources, the mode functionality and a digital timing manager. For protection a thermal foldback, temperature, current and voltage protection are built in.

### 6.2 Mode selection

The TDF8591TH can be switched in three operating modes via pin MODE:

- Standby mode; the amplifiers are switched off to achieve a very low supply current
- Mute mode; the amplifiers are switching idle (50 % duty cycle), but the audio signal at the output is suppressed by disabling the VI-converter input stages
- Operating mode; the amplifiers are fully operational with output signal

The input stage (see [Figure 1](#)) contributes to the DC offset measured at the amplifier output. To avoid pop noise the DC output offset voltage should be increased gradually at a mode transition from mute to operating, or vice versa, by limiting the  $dV_{MODE}/dt$  on pin MODE, resulting in a small  $dV_{O(offset)}/dt$  for the DC output offset voltage. The required time constant for a gradually increase of the DC output offset voltage between mute and operating is generated via an RC network on pin MODE. An example of a switching circuit for driving pin MODE is illustrated in [Figure 3](#) and explained in [Table 3](#).

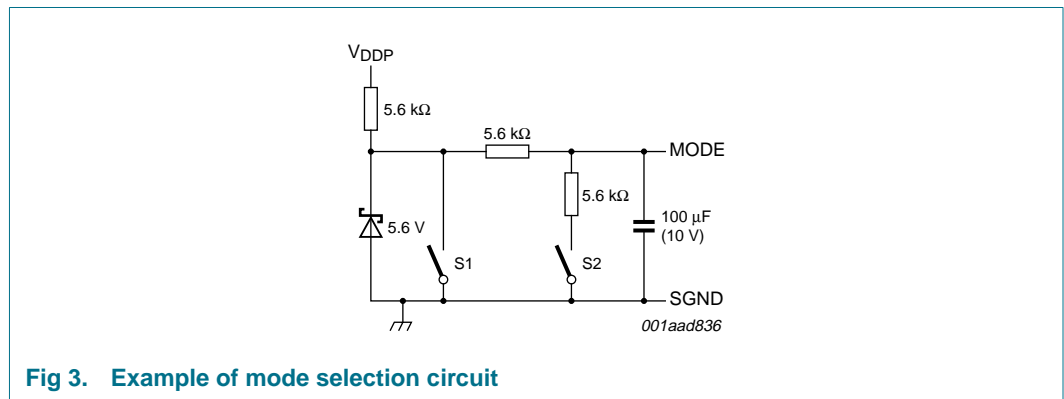


Fig 3. Example of mode selection circuit

Table 3. Mode selection

S1	S2	Mode selection
closed	closed	Standby mode
closed	open	Standby mode
open	closed	Mute mode
open	open	Operating mode

The value of the RC time constant should be dimensioned for 500 ms. If the 100 μF capacitor is left out of the application the voltage on pin MODE will be applied with a much smaller time constant, which might result in audible pop noises during start-up (depending on DC output offset voltage and used loudspeaker).

In order to fully charge the coupling capacitors at the inputs, the amplifier will remain automatically in Mute mode for approximately 150 ms before switching to Operating mode. A complete overview of the start-up timing is given in [Figure 4](#).

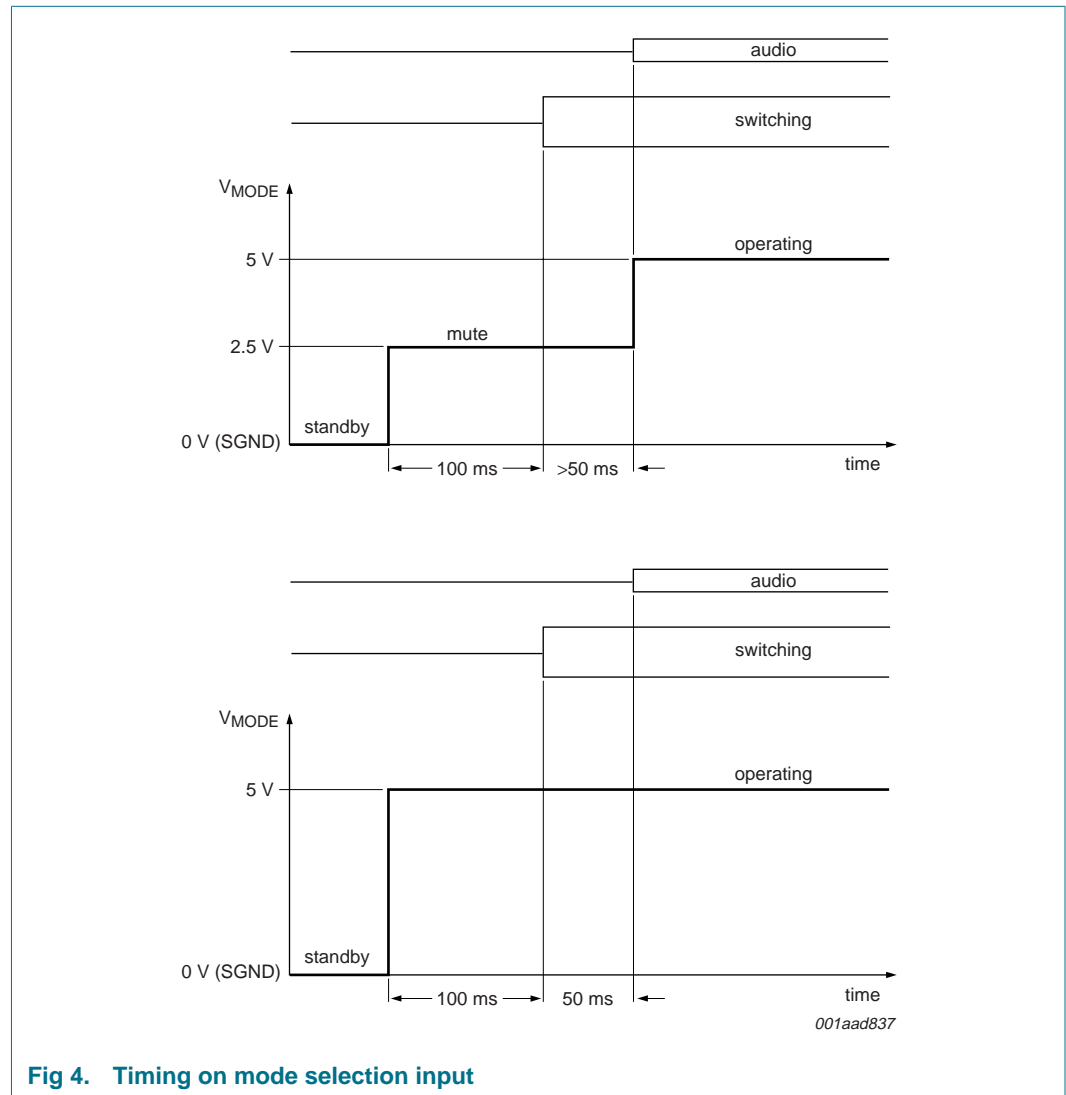


Fig 4. Timing on mode selection input

### 6.3 Pulse width modulation frequency

The output signal of the amplifier is a PWM signal with a switching frequency that is set by an external resistor R<sub>ext(OSC)</sub> connected between pins OSC and V<sub>SSA</sub>. An optimum setting for the carrier frequency is between 300 kHz and 350 kHz. An external resistor R<sub>ext(OSC)</sub> of 30 kΩ sets the frequency to 310 kHz.

If two or more class-D amplifiers are used in the same audio application, it is recommended to synchronize the switching frequency of all devices to an external clock (see [Section 12.3](#)).

## 6.4 Protections

The following protections are included in TDF8591TH:

- Thermal Foldback (TF)
- OverTemperature Protection (OTP)
- OverCurrent Protection (OCP)
- Window Protection (WP)
- Supply voltage protections
  - UnderVoltage Protection (UVP)
  - OverVoltage Protection (OVP)
  - Unbalance Protection (UBP)

The reaction of the device on the different fault conditions differs per protection and is described in [Section 6.4.1](#) to [Section 6.4.5](#).

### 6.4.1 Thermal foldback

If the junction temperature  $T_j > 145\text{ }^\circ\text{C}$ , then the TF gradually reduced the gain, resulting in a smaller output signal and less dissipation. At  $T_j = 155\text{ }^\circ\text{C}$  the outputs are fully muted.

### 6.4.2 Overtemperature protection

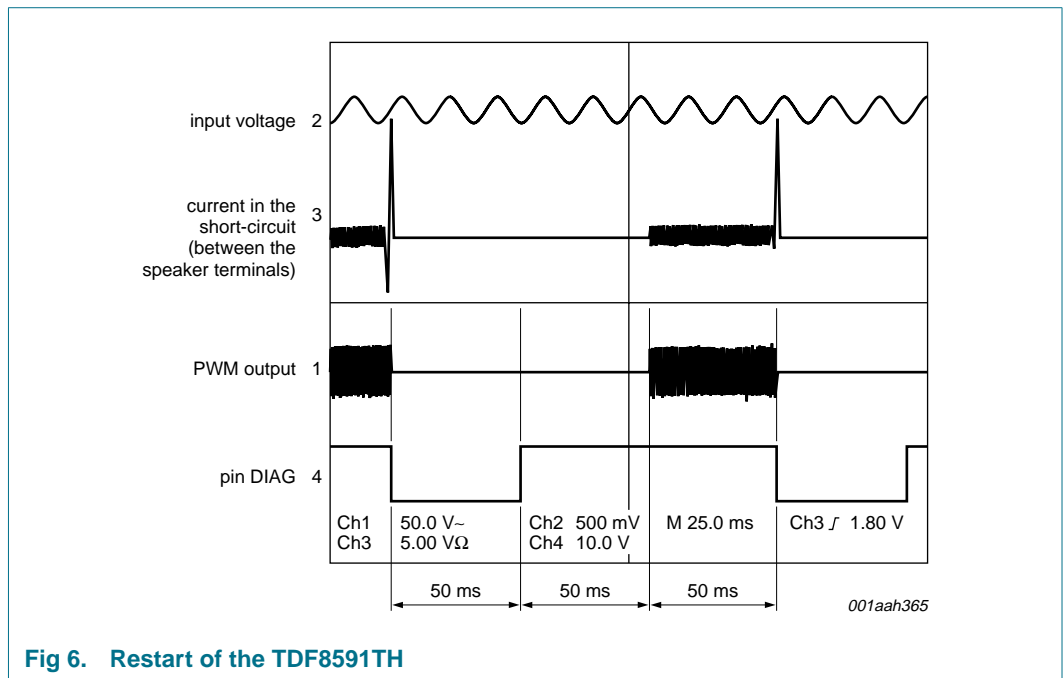
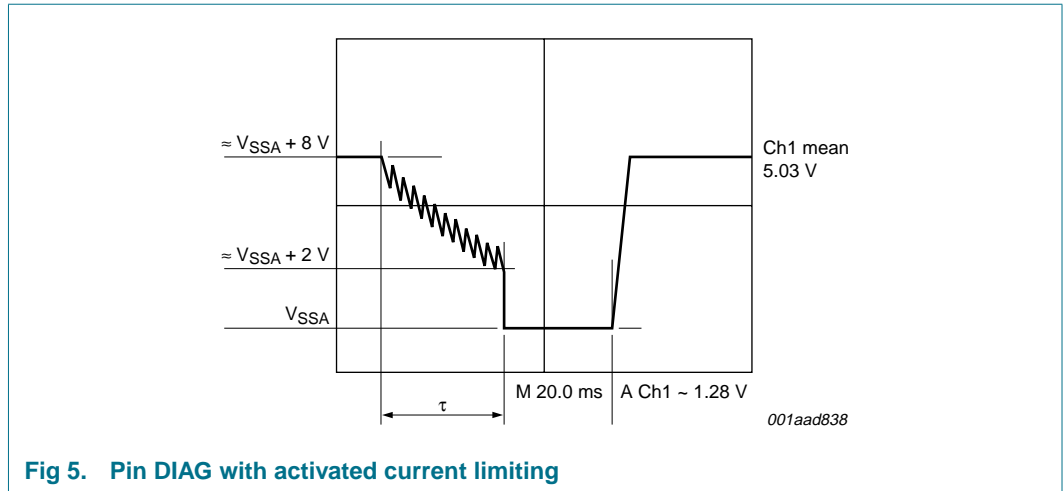
If  $T_j > 160\text{ }^\circ\text{C}$ , then the OTP will shut down the power stage immediately.

### 6.4.3 Overcurrent protection

The OCP will detect a short-circuit between the loudspeaker terminals or if one of the loudspeaker terminals is short-circuited to one of the supply lines.

If the output current tends to exceed the maximum output current of 12 A, the output voltage of the TDF8591TH will be regulated to a level where the maximum output current is limited to 12 A while the amplifier outputs remain switching, the amplifier does not shut down. When this active current limiting continues longer than a time  $\tau$  (see [Figure 5](#)) the capacitor on pin DIAG is discharged below a threshold value and the TDF8591TH shuts down. Activation of current limiting and the triggering of the OCP is observed at pin DIAG (see [Figure 5](#)).

A maximum value for the capacitor on pin DIAG is 47 pF. The reference voltage on pin DIAG is  $V_{SSA}$ . Pin DIAG should not be connected to an external pull-up.



When the loudspeaker terminals are short-circuited and the OCP is triggered the TDF8591TH is switched off completely and will try to restart every 100 ms (see [Figure 6](#)):

- 50 ms after switch off pin DIAG will be released
- 100 ms after switch off the amplifier will return to mute
- 150 ms after switch off the amplifier will return to operation. If the short-circuit condition is still present after this time this cycle will be repeated. The average dissipation will be low because of the small duty cycle

A short-circuit of the loudspeaker terminals to one of the supply lines will also trigger the activation of the OCP and the amplifier will shut down. During restart the window protection will be activated. As a result the amplifier will not start up after 100 ms and pin DIAG will remain LOW until the short-circuit to the supply lines is removed.

### 6.4.4 Window protection

The WP checks the conditions at the output pins of the power stage and is activated:

- During the start-up sequence, when pin MODE is switched from standby to mute. In the event of a short-circuit at one of the output pins to V<sub>DD</sub> or V<sub>SS</sub> the start-up procedure is interrupted and the TDF8591TH waits until the short-circuit to the supply lines has been removed. Because the test is done before enabling the power stages, no large currents will flow in the event of a short-circuit.
- When the amplifier is completely shut down due to activation of the OCP by a short-circuit to one of the supply lines, the window protection will then be activated during restart (after 100 ms). As a result the amplifier will not start up until the short-circuit to the supply lines is removed.

### 6.4.5 Supply voltage protections

If the supply voltage drops below ±12.5 V, the UVP circuit is activated and the TDF8591TH switch-off will be silent and without pop noise. When the supply voltage rises above ±12.5 V, the TDF8591TH is restarted again after 100 ms.

If the supply voltage exceeds ±33 V the OVP circuit is activated and the power stages will shut down. It is re-enabled as soon as the supply voltage drops below ±33 V. So in this case no timer of 100 ms is started. The maximum operating supply voltage is ±29 V and if the supply voltage is above the maximal allowable voltage of ±34 V (see [Section 7](#)), the TDF8591TH can be damaged, irrespective of an activated OVP. See [Section 12.6 “Pumping effects”](#) for more information about the use of the OVP.

An additional UBP circuit compares the positive analog (V<sub>DDA</sub>) and the negative analog (V<sub>SSA</sub>) supply voltages and is triggered if the voltage difference between them exceeds the unbalance threshold level, which is expressed as follows:

$$V_{th(umb)} \approx 0.15 \times (V_{DDA} - V_{SSA}) \text{ V}$$

When the supply voltage difference V<sub>DDA</sub> – V<sub>SSA</sub> exceeds V<sub>th(umb)</sub>, the TDF8591TH switches off and is restarted again after 100 ms.

Example: With a symmetrical supply of V<sub>DDA</sub> = 20 V and V<sub>SSA</sub> = –20 V, the unbalance protection circuit will be triggered if the unbalance exceeds approximately 6 V.

In [Table 4](#) an overview is given of all protections and the effect on the output signal.

**Table 4. Overview protections TDF8591TH**

Protection name	Complete shut down	Restart directly	Restart every 100 ms	DIAG
TF	N	Y <sup>[1]</sup>	N	N
OTP	Y	Y <sup>[2]</sup>	N <sup>[2]</sup>	N
OCP	N <sup>[3]</sup>	Y <sup>[3]</sup>	N <sup>[3]</sup>	Y
WP	Y <sup>[4]</sup>	Y	N	Y
UVP	Y	N	Y	N
OVP	Y	Y	N	N
UBP	Y	N	Y	N

[1] Amplifier gain will depend on junction temperature and heat sink size.

[2] Thermal foldback will influence restart timing depending on heat sink size.



- [3] Only complete shut down of amplifier in case of a short-circuit. In all other cases current limiting resulting in clipping output signal.
- [4] Fault condition detected during (every) transition between standby-to-mute and during restart after activation of OCP (short-circuit to one of the supply lines).

### 6.5 Diagnostic output

Pin DIAG is pulled LOW when the OCP is triggered. With a continuous short-circuited load a switching pattern in the voltage on pin DIAG is observed (see [Figure 6](#)). A permanent LOW on pin DIAG indicates a short-circuit to the supply lines whereas a short-circuited load causes a switching DIAG pin (see [Section 6.4.3](#)).

The pin DIAG reference voltage is  $V_{SSA}$ . Pin DIAG should not be connected to an external pull-up. An example of a circuit to read out and level shift the diagnostic data is given in [Figure 7](#). V5V represents a logic supply that is used in the application by the microprocessor that reads out the DIAG data.

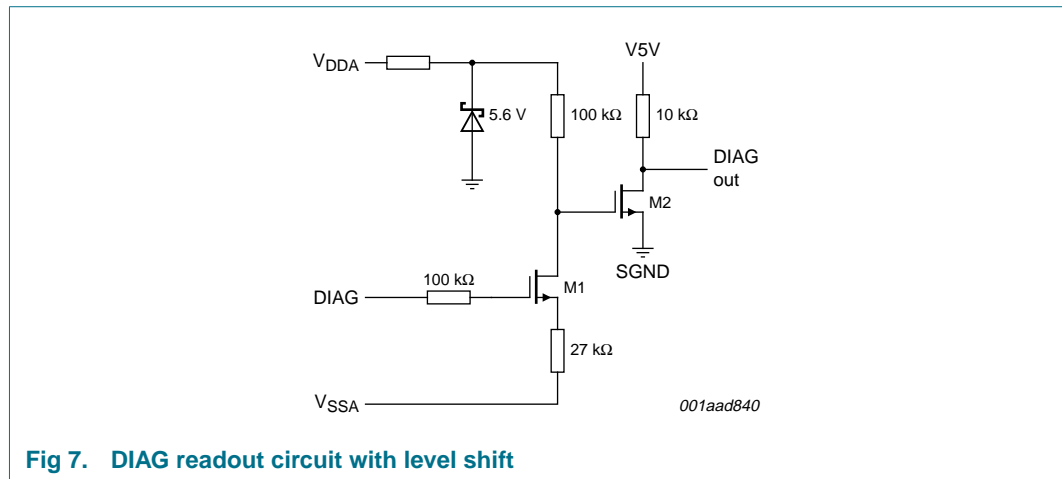


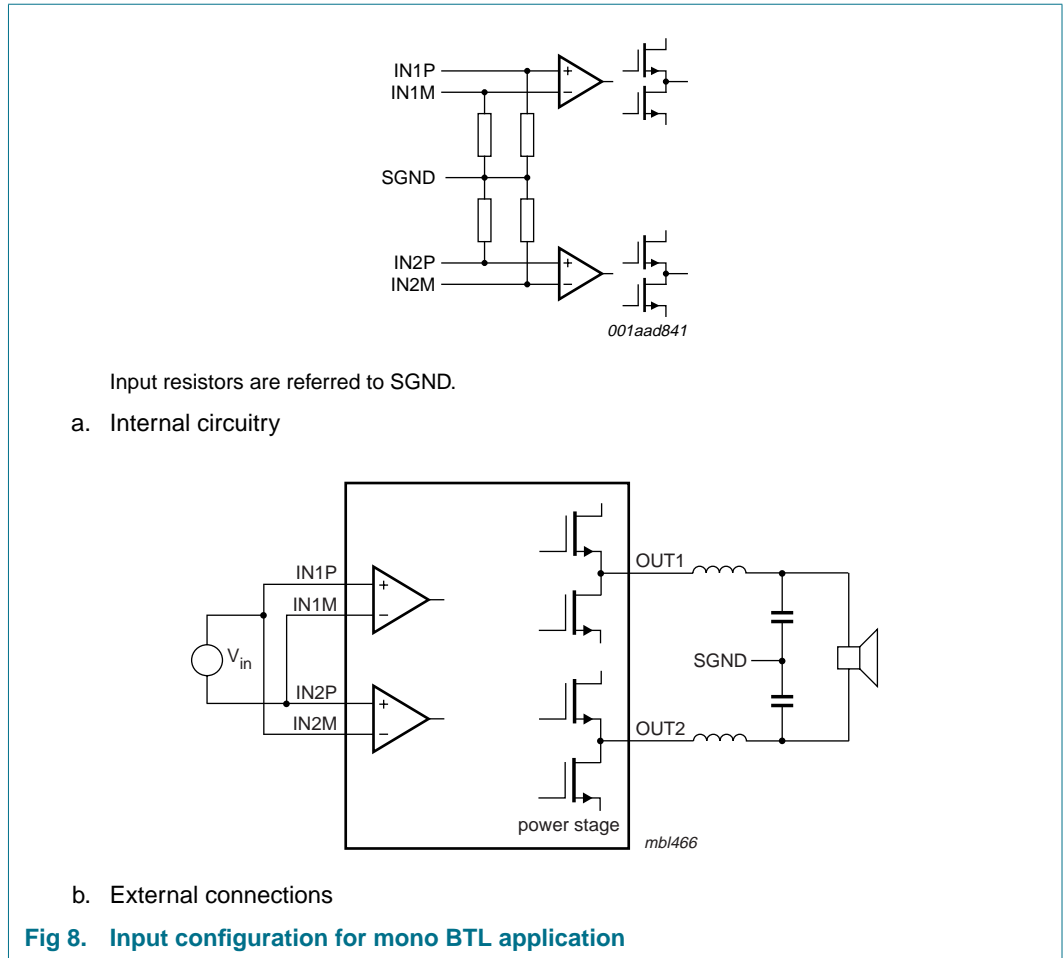
Fig 7. DIAG readout circuit with level shift

### 6.6 Differential inputs

For a high Common Mode Rejection Ratio (CMRR) and a maximum of flexibility in the application, the audio inputs are fully differential. By connecting the inputs anti-parallel the phase of one of the channels can be inverted, so that a load can be connected between the two output filters. In this case the system operates as a mono BTL amplifier.

The input configuration for a mono BTL application is illustrated in [Figure 8](#).

In the stereo SE configuration it is also recommended to connect the two differential inputs in anti-phase. This has advantages for the current handling of the supply voltage at low signal frequencies (supply pumping).



## 7. Limiting values

**Table 5. Limiting values**

In accordance with the Absolute Maximum Rating System (IEC 60134).

Symbol	Parameter	Conditions	Min	Max	Unit
V <sub>DD</sub>	supply voltage	V <sub>DDP1</sub> and V <sub>DDA1</sub> referred to SGND1; V <sub>DDP2</sub> and V <sub>DDA2</sub> referred to SGND2	-0.3	+34	V
V <sub>SS</sub>	negative supply voltage	V <sub>SSP1</sub> and V <sub>SSA1</sub> referred to SGND1; V <sub>SSP2</sub> and V <sub>SSA2</sub> referred to SGND2	-34	+0.3	V
V <sub>P</sub>	supply voltage		-0.3	+66	V
I <sub>OSM</sub>	non-repetitive peak output current		-	12	A
T <sub>stg</sub>	storage temperature		-55	+150	°C
T <sub>amb</sub>	ambient temperature		-40	+85	°C
T <sub>j</sub>	junction temperature		-40	+150	°C
V <sub>BOOT1</sub>	voltage on pin BOOT1	referred to OUT1	[1] 0	14	V
V <sub>BOOT2</sub>	voltage on pin BOOT2	referred to OUT2	[1] 0	14	V
V <sub>STABI</sub>	voltage on pin STABI	referred to V <sub>SSD</sub>	[2] -	14	V

**Table 5. Limiting values ...continued**  
In accordance with the Absolute Maximum Rating System (IEC 60134).

Symbol	Parameter	Conditions	Min	Max	Unit
V <sub>MODE</sub>	voltage on pin MODE	referred to SGND2	0	8	V
V <sub>OSC</sub>	voltage on pin OSC	referred to V <sub>SSD</sub>	0	40	V
V <sub>IN1M</sub>	voltage on pin IN1M	referred to SGND1	-5	+5	V
V <sub>IN1P</sub>	voltage on pin IN1P	referred to SGND1	-5	+5	V
V <sub>IN2M</sub>	voltage on pin IN2M	referred to SGND2	-5	+5	V
V <sub>IN2P</sub>	voltage on pin IN2P	referred to SGND2	-5	+5	V
V <sub>DIAG</sub>	voltage on pin DIAG	referred to V <sub>SSD</sub>	[3] 0	9	V
V <sub>O</sub>	output voltage		V <sub>SSP</sub> - 0.3	V <sub>DDP</sub> + 0.3	V

- [1] Pin BOOT should not be loaded by any other means than the boot capacitor. A short-circuit between pin BOOT and V<sub>SS</sub> will damage the device.
- [2] Pin STABI should not be loaded by an external circuit. A short-circuit between pin STABI and a voltage source or V<sub>SS</sub> will damage the device.
- [3] Pin DIAG should not be connected to a voltage source or to a pull-up resistor. An example of a circuit that can be used to read out diagnostic data is given in [Figure 7](#).

## 8. Thermal characteristics

**Table 6. Thermal characteristics**

Symbol	Parameter	Conditions	Typ	Unit
R <sub>th(j-c)</sub>	thermal resistance from junction to case		1	K/W
R <sub>th(j-a)</sub>	thermal resistance from junction to ambient	In free air	35	K/W

## 9. Static characteristics

**Table 7. Static characteristics**  
V<sub>P</sub> = ±27 V; f<sub>osc</sub> = 310 kHz; T<sub>amb</sub> = -40 °C to +85 °C; T<sub>j</sub> = -40 °C to +150 °C; unless otherwise specified.

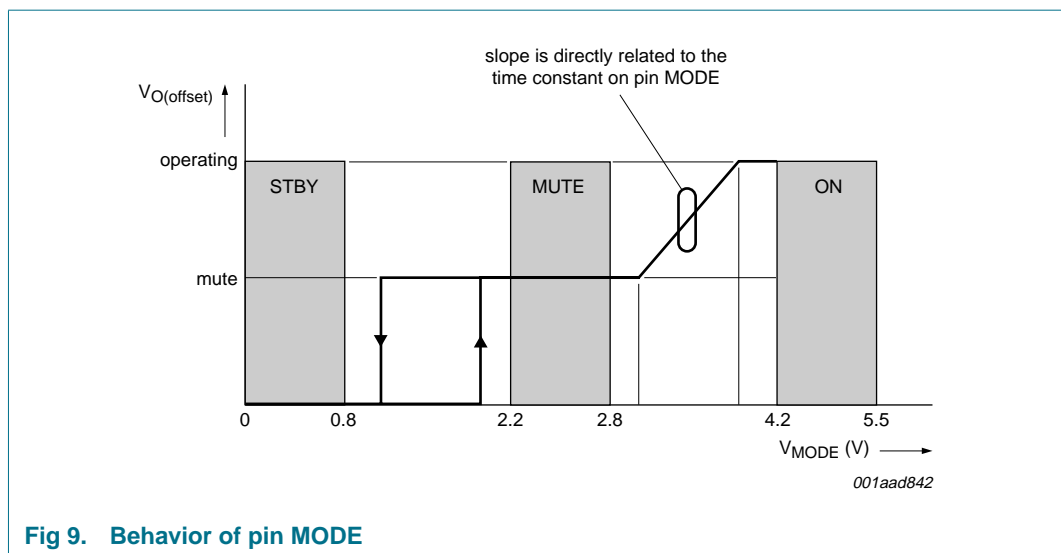
Symbol	Parameter	Conditions	Min	Typ	Max	Unit
<b>Supply</b>						
V <sub>P</sub>	supply voltage		[1] ±14	±27	±29	V
I <sub>q(tot)</sub>	total quiescent current	no load, no filter, no snubber network connected	-	50	65	mA
I <sub>stb</sub>	standby current	T <sub>j</sub> = -40 °C to +85 °C	-	150	500	μA
<b>Mode select input; pin MODE (reference to SGND2)</b>						
I <sub>MODE</sub>	current on pin MODE	V <sub>MODE</sub> = 5.5 V	-	100	300	μA
V <sub>MODE</sub>	voltage on pin MODE	Standby mode	[2][3] 0	-	0.8	V
		Mute mode	[2][3] 2.2	-	2.8	V
		Operating mode	[2][3] 4.2	-	6	V
<b>Diagnostic output; pin DIAG (reference to V<sub>SSD</sub>)</b>						
V <sub>OL</sub>	LOW-level output voltage	activated OCP or WP	[4] -	-	0.8	V
V <sub>OH</sub>	HIGH-level output voltage	no activated OCP or WP	[4] -	8.4	9	V
<b>Audio inputs; pins IN1M, IN1P (reference to SGND1), IN2P and IN2M (reference to SGND2)</b>						
V <sub>I</sub>	input voltage		[2] -	0	-	V

**Table 7. Static characteristics ...continued**

$V_P = \pm 27\text{ V}$ ;  $f_{osc} = 310\text{ kHz}$ ;  $T_{amb} = -40\text{ °C}$  to  $+85\text{ °C}$ ;  $T_j = -40\text{ °C}$  to  $+150\text{ °C}$ ; unless otherwise specified.

Symbol	Parameter	Conditions	Min	Typ	Max	Unit
<b>Amplifier outputs; pins OUT1 and OUT2</b>						
$V_{O(\text{offset})}$	output offset voltage	SE; mute	-	-	20	mV
		SE; operating	[5]	-	170	mV
		BTL; mute	-	-	30	mV
		BTL; operating	[5]	-	240	mV
<b>Stabilizer output; pin STABI (reference to <math>V_{SSP1}</math>)</b>						
$V_O$	output voltage	mute and operating; with respect to $V_{SSD}$	11	12.5	14	V
<b>Temperature protection</b>						
$T_{\text{prot}}$	protection temperature		-	160	180	°C
$T_{\text{act(th\_fold)}}$	thermal foldback activation temperature	closed loop SE voltage gain reduced with 6 dB	[6]	145	150	°C

- [1] The circuit is DC adjusted at  $V_P = \pm 12.5\text{ V}$  to  $\pm 30\text{ V}$ .
- [2] Refers to usage in a symmetrical supply application (see [Section 12.7](#)). In an asymmetrical supply application the SGND voltage should be defined by an external circuit.
- [3] The transition between Standby and Mute mode contains hysteresis, while the slope of the transition between Mute and Operating mode is determined by the time constant on pin MODE (see [Figure 9](#)).
- [4] Pin DIAG should not be connected to an external pull-up.
- [5] DC output offset voltage is applied to the output during the transition between Mute and Operating mode in a gradual way. The  $dV_{O(\text{offset})}/dt$  caused by any DC output offset is determined by the time constant on pin MODE.
- [6] At a junction temperature of approximately  $T_{\text{act(th\_fold)}} - 5\text{ °C}$  the gain reduction will commence and at a junction temperature of approximately  $T_{\text{act(th\_fold)}} + 5\text{ °C}$  the amplifier mutes.



**Fig 9. Behavior of pin MODE**

## 10. Dynamic characteristics

### 10.1 Dynamic characteristics (SE)

**Table 8. Dynamic characteristics (SE)**

$V_P = \pm 27$  V;  $R_L = 4$  Ω;  $f_i = 1$  kHz;  $f_{osc} = 310$  kHz;  $R_{S(L)} < 0.1$  Ω [1];  $T_{amb} = -40$  °C to  $+85$  °C;  $T_j = -40$  °C to  $+150$  °C; unless otherwise specified. See [Section 12.7](#) for the SE application schematics. The 2nd-order demodulation filter coil is referred to as L and the capacitor as C.

Symbol	Parameter	Conditions	Min	Typ	Max	Unit
$P_o$	output power	L = 10 μH; C = 1 μF; $T_j = 85$ °C; $R_L = 2$ Ω; $V_P = \pm 28$ V; THD = 0.5 %	[2] -	130	-	W
		L = 10 μH; C = 1 μF; $T_j = 85$ °C; $R_L = 2$ Ω; $V_P = \pm 28$ V; THD = 10 %	[2] -	158	-	W
		L = 22 μH; C = 680 nF; $T_j = 85$ °C; $R_L = 4$ Ω; $V_P = \pm 29$ V; THD = 0.5 %	[2] -	82	-	W
		L = 22 μH; C = 680 nF; $T_j = 85$ °C; $R_L = 4$ Ω; $V_P = \pm 29$ V; THD = 10 %	[2] -	100	-	W
$I_{OM}$	peak output current	current limiting, see <a href="#">Section 6.4.3</a>	12	-	-	A
THD	total harmonic distortion	$P_o = 1$ W; $f_i = 1$ kHz	[3] -	0.02	0.2	%
		$P_o = 1$ W; $f_i = 10$ kHz	[3] -	0.10	-	%
$G_{v(cl)}$	closed-loop voltage gain		25	26	27	dB
SVRR	supply voltage ripple rejection	operating; $f_{ripple} = 100$ Hz	[4] -	55	-	dB
		operating; $f_{ripple} = 1$ kHz	[4] 40	50	-	dB
		mute; $f_{ripple} = 1$ kHz	[4] -	55	-	dB
		standby; $f_{ripple} = 100$ Hz	[4] -	80	-	dB
$ Z_{i(dif)} $	differential input impedance	between the input pins INxP and INxM	45	68	-	kΩ
$V_{n(o)}$	noise output voltage	operating; $V_P = \pm 27$ V; $R_S = 0$ Ω	[5] -	170	-	μV
		operating; $V_P = \pm 18$ V; $R_S = 0$ Ω	[5] -	145	-	μV
		mute; $V_P = \pm 27$ V	[6] -	125	-	μV
		mute; $V_P = \pm 18$ V	[6] -	85	-	μV
$\alpha_{cs}$	channel separation	$P_o = 1$ W; $R_S = 0$ Ω; $f_i = 1$ kHz	-	70	-	dB
$ \Delta G_V $	voltage gain difference		-	-	1	dB
$\alpha_{mute}$	mute attenuation	$f_i = 1$ kHz; $V_i = 1$ V (RMS value)	-	73	-	dB
CMRR	common mode rejection ratio	$f_{i(CM)} = 1$ kHz; $V_{i(CM)} = 1$ V (RMS value)	[7] -	75	-	dB

- [1]  $R_{S(L)}$  is the series resistance of inductor of low-pass LC filter in the application.
- [2] Output power is measured indirectly; based on  $R_{DS(on)}$  measurement (see [Section 12.2](#)).
- [3] THD is measured in a bandwidth of 22 Hz to 20 kHz, AES brick wall. Maximum limit is guaranteed but may not be 100 % tested.
- [4]  $V_{ripple} = V_{ripple(max)} = 2$  V (peak-to-peak value); source resistance  $R_S = 0$  Ω.
- [5] B = 22 Hz to 20 kHz, AES brick wall (see [Section 12.4](#)).
- [6] B = 22 Hz to 20 kHz, AES brick wall, independent of  $R_S$  (see [Section 12.4](#)).
- [7]  $V_{i(CM)}$  is the input common mode voltage.

## 10.2 Dynamic characteristics (BTL)

**Table 9. Dynamic characteristics (BTL)**

$V_P = \pm 27$  V;  $R_L = 8$  Ω;  $f_i = 1$  kHz;  $f_{osc} = 310$  kHz;  $R_{S(L)} < 0.1$  Ω [1];  $T_{amb} = -40$  °C to  $+85$  °C;  $T_j = -40$  °C to  $+150$  °C; unless otherwise specified. See [Section 12.7](#) for the BTL application schematics. The 2nd order demodulation filter coil is referred to as L and the capacitor as C.

Symbol	Parameter	Conditions	Min	Typ	Max	Unit	
P <sub>o</sub>	output power	L = 10 μH; C = 1 μF; T <sub>j</sub> = 85 °C; R <sub>L</sub> = 4 Ω; V <sub>P</sub> = ±18 V; THD = 0.5 %	[2]	-	110	-	W
		L = 10 μH; C = 1 μF; T <sub>j</sub> = 85 °C; R <sub>L</sub> = 4 Ω; V <sub>P</sub> = ±18 V; THD = 10 %	[2]	-	139	-	W
		L = 22 μH; C = 680 nF; T <sub>j</sub> = 85 °C; R <sub>L</sub> = 4 Ω; V <sub>P</sub> = ±27 V; THD = 0.5 %	[2]	-	250	-	W
		L = 22 μH; C = 680 nF; T <sub>j</sub> = 85 °C; R <sub>L</sub> = 4 Ω; V <sub>P</sub> = ±27 V; THD = 10 %	[2]	-	310	-	W
I <sub>OM</sub>	peak output current	current limiting, see <a href="#">Section 6.4.3</a>	12	-	-	A	
THD	total harmonic distortion	P <sub>o</sub> = 1 W; f <sub>i</sub> = 1 kHz	[3]	-	0.02	0.2	%
		P <sub>o</sub> = 1 W; f <sub>i</sub> = 10 kHz	[3]	-	0.15	-	%
G <sub>v(cl)</sub>	closed-loop voltage gain		31	32	33	dB	
SVRR	supply voltage ripple rejection	operating; f <sub>ripple</sub> = 100 Hz	[4]	-	68	-	dB
		operating; f <sub>ripple</sub> = 1 kHz	[4]	50	68	-	dB
		mute; f <sub>ripple</sub> = 1 kHz	[4]	-	68	-	dB
		standby; f <sub>ripple</sub> = 100 Hz	[4]	-	80	-	dB
Z <sub>i(dif)</sub>	differential input impedance	measured between the input pins INxP and INxM	22	34	-	kΩ	
V <sub>n(o)</sub>	noise output voltage	operating; V <sub>P</sub> = ±27 V; R <sub>S</sub> = 0 Ω	[5]	-	240	-	μV
		operating; V <sub>P</sub> = ±18 V; R <sub>S</sub> = 0 Ω	[5]	-	200	-	μV
		mute; V <sub>P</sub> = ±27 V	[6]	-	180	-	μV
		mute; V <sub>P</sub> = ±18 V	[6]	-	125	-	μV
α <sub>mute</sub>	mute attenuation	f <sub>i</sub> = 1 kHz; V <sub>i</sub> = 1 V (RMS value)	-	70	-	dB	
CMRR	common mode rejection ratio	f <sub>i(CM)</sub> = 1 kHz; V <sub>i(CM)</sub> = 1 V (RMS value)	-	75	-	dB	

- [1] R<sub>S(L)</sub> is the series resistance of inductor of low-pass LC filter in the application.
- [2] Output power is measured indirectly; based on R<sub>DSon</sub> measurement (see [Section 12.2](#)).
- [3] THD is measured in a bandwidth of 22 Hz to 20 kHz, AES brick wall. Maximum limit is guaranteed but may not be 100 % tested.
- [4] V<sub>ripple</sub> = V<sub>ripple(max)</sub> = 2 V (peak-to-peak value); R<sub>S</sub> = 0 Ω.
- [5] B = 22 Hz to 20 kHz, AES brick wall (see [Section 12.4](#)).
- [6] B = 22 Hz to 20 kHz, AES brick wall, independent on R<sub>S</sub> (see [Section 12.4](#)).

## 11. Switching characteristics

**Table 10. Switching characteristics**

$V_{DD} = 27\text{ V}$ ;  $T_{amb} = -40\text{ °C}$  to  $+85\text{ °C}$ ;  $T_j = -40\text{ °C}$  to  $+150\text{ °C}$ ; unless otherwise specified.

Symbol	Parameter	Conditions	Min	Typ	Max	Unit
<b>Internal oscillator</b>						
$f_{osc}$	oscillator frequency	typical; $R_{ext(OSC)} = 30.0\text{ k}\Omega$	290	310	344	kHz
		maximum; $R_{ext(OSC)} = 15.4\text{ k}\Omega$	-	560	-	kHz
		minimum; $R_{ext(OSC)} = 48.9\text{ k}\Omega$	-	200	-	kHz
<b>External oscillator or frequency tracking</b>						
$V_{H(OSC)min}$	minimum HIGH-level voltage on pin OSC	referred to SGND	4	-	6	V
$V_{L(OSC)max}$	maximum LOW-level voltage on pin OSC	referred to SGND	0	-	1	V
$\Delta f_{track}$	tracking frequency range		210	-	600	kHz
<b>Drain source on-state resistance of the output transistors</b>						
$R_{DSon(ls)}$	low-side drain-source on-state resistance	$T_j = 85\text{ °C}$ ; $I_{DS} = 6\text{ A}$	-	185	205	mΩ
		$T_j = 25\text{ °C}$ ; $I_{DS} = 6\text{ A}$	-	140	155	mΩ
$R_{DSon(hs)}$	high-side drain-source on-state resistance	$T_j = 85\text{ °C}$ ; $I_{DS} = 6\text{ A}$	-	220	245	mΩ
		$T_j = 25\text{ °C}$ ; $I_{DS} = 6\text{ A}$	-	160	175	mΩ

## 12. Application information

### 12.1 BTL application

When using the power amplifier in a mono BTL application the inputs of both channels must be connected in parallel and the phase of one of the inputs must be inverted (see [Figure 8](#)). The loudspeaker is connected between the outputs of the two single-ended demodulation filters.

### 12.2 Output power estimation

The achievable output powers in SE and BTL applications can be estimated using the following expressions:

$$SE: P_{o(0.5\%)} = \frac{\left( \frac{R_L}{R_L + R_{DSon(hs)} + R_{s(L)}} \times V_P \times \left( 1 - t_{w(min)} \times \frac{f_{osc}}{2} \right) \right)^2}{2 \times R_L} \text{ W}$$

$$BTL: P_{o(0.5\%)} = \frac{\left( \frac{R_L}{R_L + (R_{DSon(hs)} + R_{DSon(ls)}) + 2R_{s(L)}} \times 2V_P \times \left( 1 - t_{w(min)} \times \frac{f_{osc}}{2} \right) \right)^2}{2 \times R_L} \text{ W}$$

Peak output current, internally limited to 12 A:

$$\text{SE: } I_{OM} = \frac{V_P \times \left(1 - t_{w(\min)} \times \frac{f_{osc}}{2}\right)}{R_L + R_{DSon(\text{hs})} + R_{s(L)}} \text{ A}$$

$$\text{BTL: } I_{OM} = \frac{2V_P \times \left(1 - t_{w(\min)} \times \frac{f_{osc}}{2}\right)}{R_L + (R_{DSon(\text{hs})} + R_{DSon(\text{ls})}) + 2R_{s(L)}} \text{ A}$$

Variables:

$R_L$  = load resistance

$R_{s(L)}$  = series resistance of the filter coil

$R_{DSon(\text{hs})}$  = high side drain source on-state resistance (temperature dependent)

$R_{DSon(\text{ls})}$  = low side drain source on-state resistance (temperature dependent)

$f_{osc}$  = oscillator frequency

$t_{w(\min)}$  = minimum pulse width (typical 150 ns, temperature dependent)

$V_P$  = single sided supply voltage [or  $0.5 (V_{DD} + |V_{SS}|)$ ]

$P_{o(0.5\%)}$  = output power at the onset of clipping

$I_{OM}$  should be below 12 A (see [Section 6.4.3](#)).  $I_{OM}$  is the sum of the current through the load and the ripple current. The value of the ripple current is dependent on the coil inductance and voltage drop over the coil.

## 12.3 External clock

If two or more class-D amplifiers are used it is recommended that all devices run at the same switching frequency. This can be realized by connecting all OSC pins together and feed them from an external oscillator.

The internal oscillator requires an external  $R_{\text{ext(OSC)}}$  and  $C_{\text{ext(OSC)}}$  between pins OSC and  $V_{SSA}$ . For application of an external oscillator it is necessary to force OSC to a DC level above SGND. The internal oscillator is disabled and the PWM modulator will switch with the external frequency. The duty cycle of the external clock should be between 47.5 % and 52.5 %.

The noise contribution of the internal oscillator is supply voltage dependent. In low noise applications running at high supply voltage an external low noise oscillator is recommended.

## 12.4 Noise

Noise should be measured using a high-order low-pass filter with a cut-off frequency of 20 kHz. The standard audio band pass filters used in audio analyzers do not suppress the residue of the carrier frequency sufficiently to ensure a reliable measurement of the audible noise. Noise measurements should preferably be carried out using AES 17 (Brick Wall) filters or the Audio Precision AUX 0025 filter, which was designed especially for measuring switching (class-D) amplifiers.



## 12.5 Heat sink requirements

In some applications it may be necessary to connect an external heat sink to the TDF8591TH. The thermal foldback activates on  $T_j = 140\text{ °C}$ . The expression below shows the relationship between the maximum power dissipation before activation of the thermal foldback and the total thermal resistance from junction to ambient:

$$R_{th(j-a)} = \frac{T_j - T_{amb}}{P} \Omega$$

The power dissipation (P) is determined by the efficiency ( $\eta$ ) of the TDF8591TH. The efficiency measured as a function of output power is given in [Figure 30](#) and [31](#). The power dissipation can be derived as function of output power (see [Figure 32](#) and [33](#)).

Example of a heatsink calculation for the 4 Ω BTL application with  $\pm 18\text{ V}$  supply:

- An audio signal with a crest factor of 10 (the ratio between peak power and average power is 10 dB), this means that the average output power is  $1/10$  of the peak power
- The peak RMS output power level is 110 W (0.5 % THD level)
- The average power is  $0.1 \times 110\text{ W} = 11\text{ W}$
- The dissipated power at an output power of 11 W is approximately 5 W
- The total  $R_{th(j-a)} = (140 - 85) / 5 = 11\text{ K/W}$ , if the maximum expected  $T_{amb} = 85\text{ °C}$
- The total thermal resistance  $R_{th(j-a)} = R_{th(j-c)} + R_{th(c-h)} + R_{th(h-a)}$
- $R_{th(j-c)} = 1\text{ K/W}$ ,  $R_{th(c-h)} = 0.5\text{ K/W}$  to  $1\text{ K/W}$  (dependent on mounting), so  $R_{th(h-a)}$  would then be:  $11 - (1 + 1) = 9\text{ K/W}$

## 12.6 Pumping effects

When the TDF8591TH is used in a SE configuration, a so-called pumping effect can occur. During one switching interval, energy is taken from one supply (e.g.  $V_{DDA1}$ ), while a part of that energy is delivered back to the other supply line (e.g.  $V_{SSA1}$ ) and visa versa. When the voltage supply source cannot sink energy, the voltage across the output capacitors of that voltage supply source will increase: the supply voltage is pumped to higher levels. The voltage increase caused by the pumping effect depends on:

- Speaker impedance
- Supply voltage
- Audio signal frequency
- Value of decoupling capacitors on supply lines
- Source and sink currents of other channels

The pumping effect should not cause a malfunction of either the audio amplifier and/or the voltage supply source. For instance, this malfunction can be caused by triggering of the UVP, OVP or UBP of the amplifier. Best remedy for pumping effects is to use the TDF8591TH in a mono full-bridge application. In case of dual half-bridge application adapt the supply voltage (e.g. increase supply decoupling capacitors).

## 12.7 Application schematics

For SE application (see [Figure 10](#)):

- A solid ground plane around the TDF8591TH is necessary to prevent emission
- 100 nF Surface Mounted Device (SMD) capacitors must be placed as close as possible to the supply voltage pins of the TDF8591TH
- The heatsink of the HSOP24 package of the TDF8591TH is connected to pin  $V_{SSD}$
- The external heatsink must be connected to the ground plane
- Use a thermal conductive, electrically isolating Sil-Pad between the backside of the TDF8591TH and the external heatsink

For BTL application (see [Figure 11](#)):

- A solid ground plane around the TDF8591TH is necessary to prevent emission
- 100 nF SMD capacitors must be placed as close as possible to the supply voltage pins of the TDF8591TH
- The heatsink of the HSOP24 package of the TDF8591TH is connected to pin  $V_{SSD}$
- The external heatsink must be connected to the ground plane
- Use a thermal conductive, electrically isolating Sil-Pad between the backside of the TDF8591TH and the external heatsink
- The differential inputs enable the best system level audio performance with unbalanced signal sources. In case of hum due to floating inputs connect the shielding or source ground to the amplifier ground
- Minimum total required capacity per supply voltage line is 3300  $\mu\text{F}$

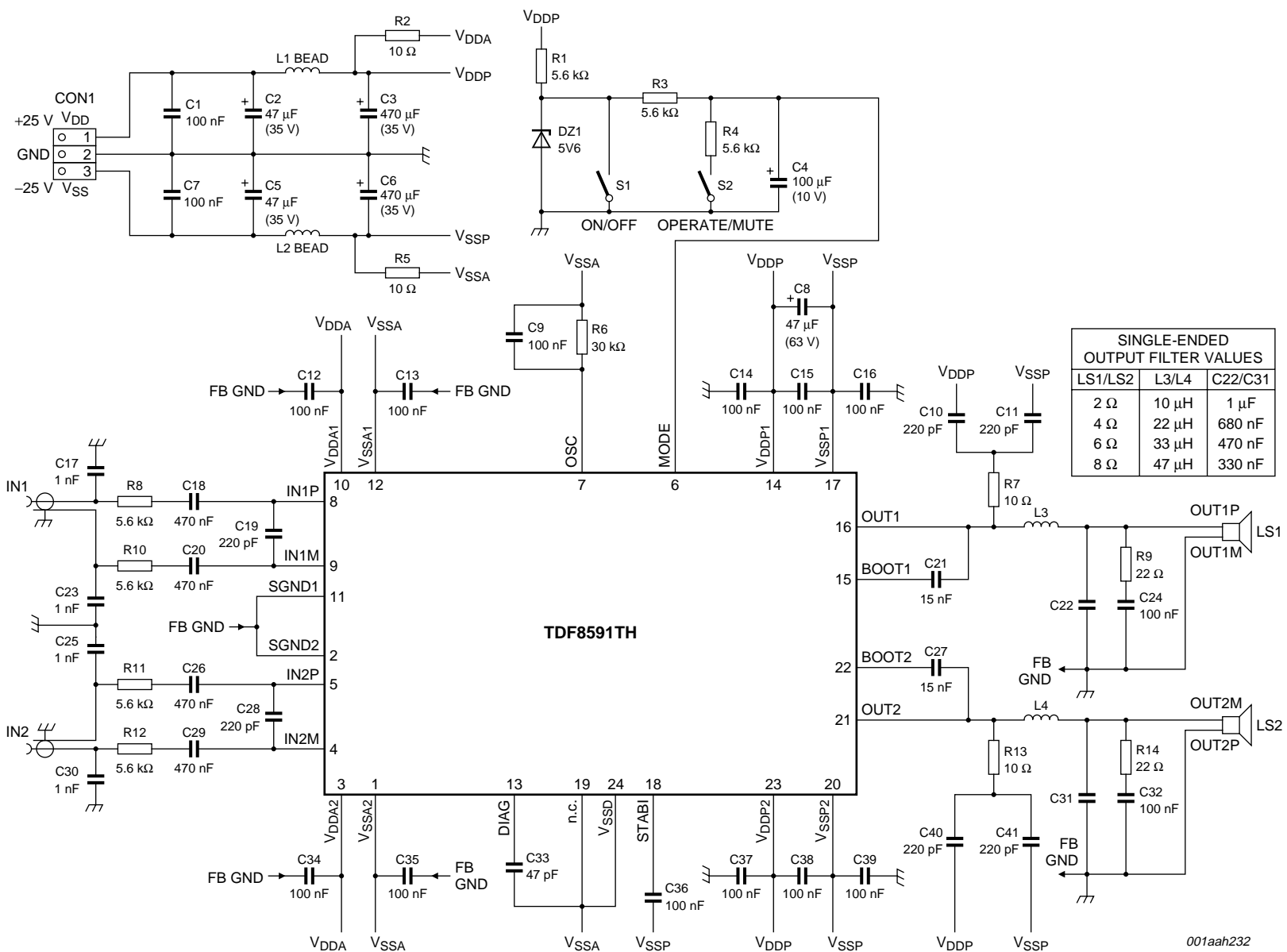
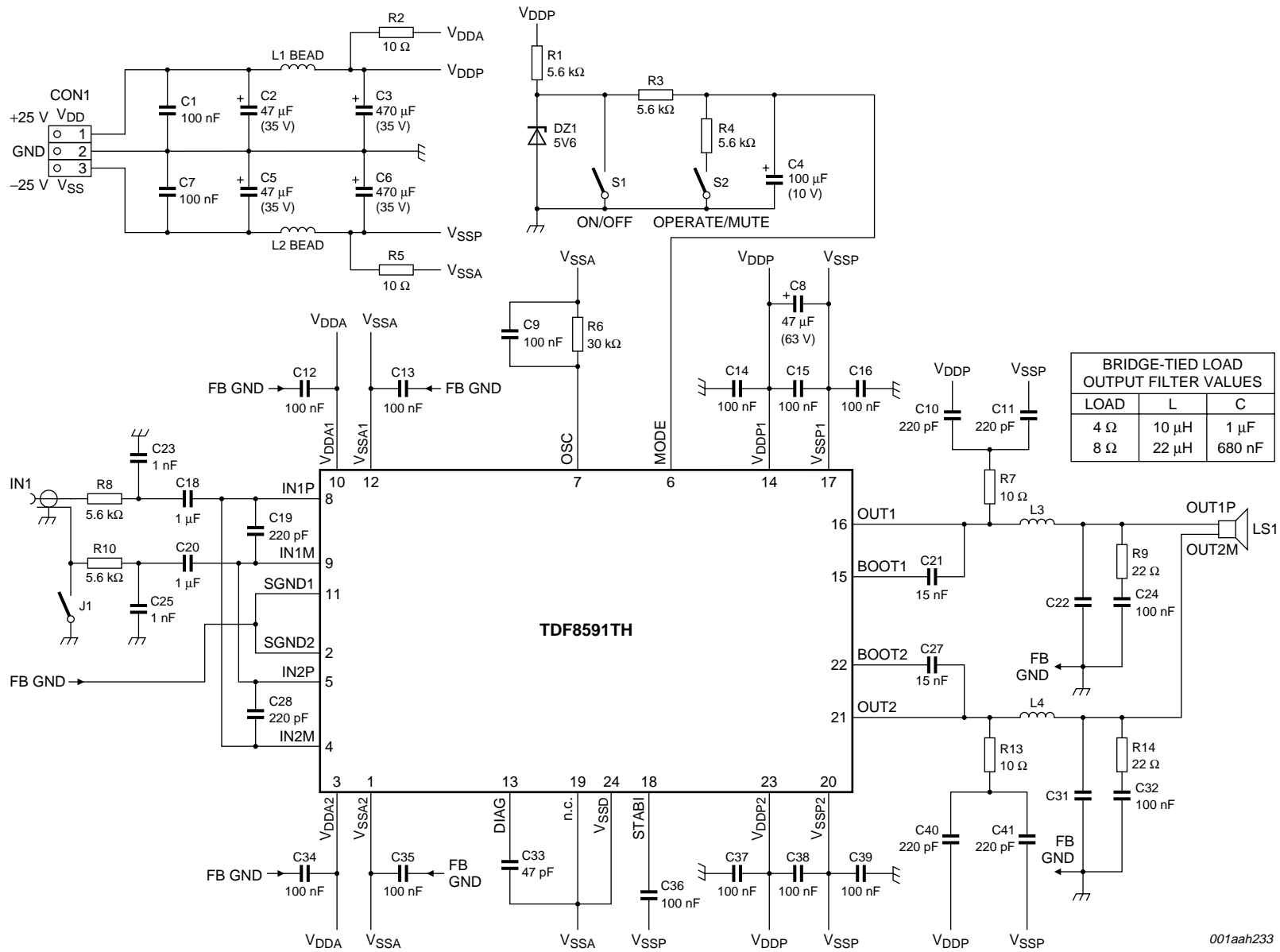


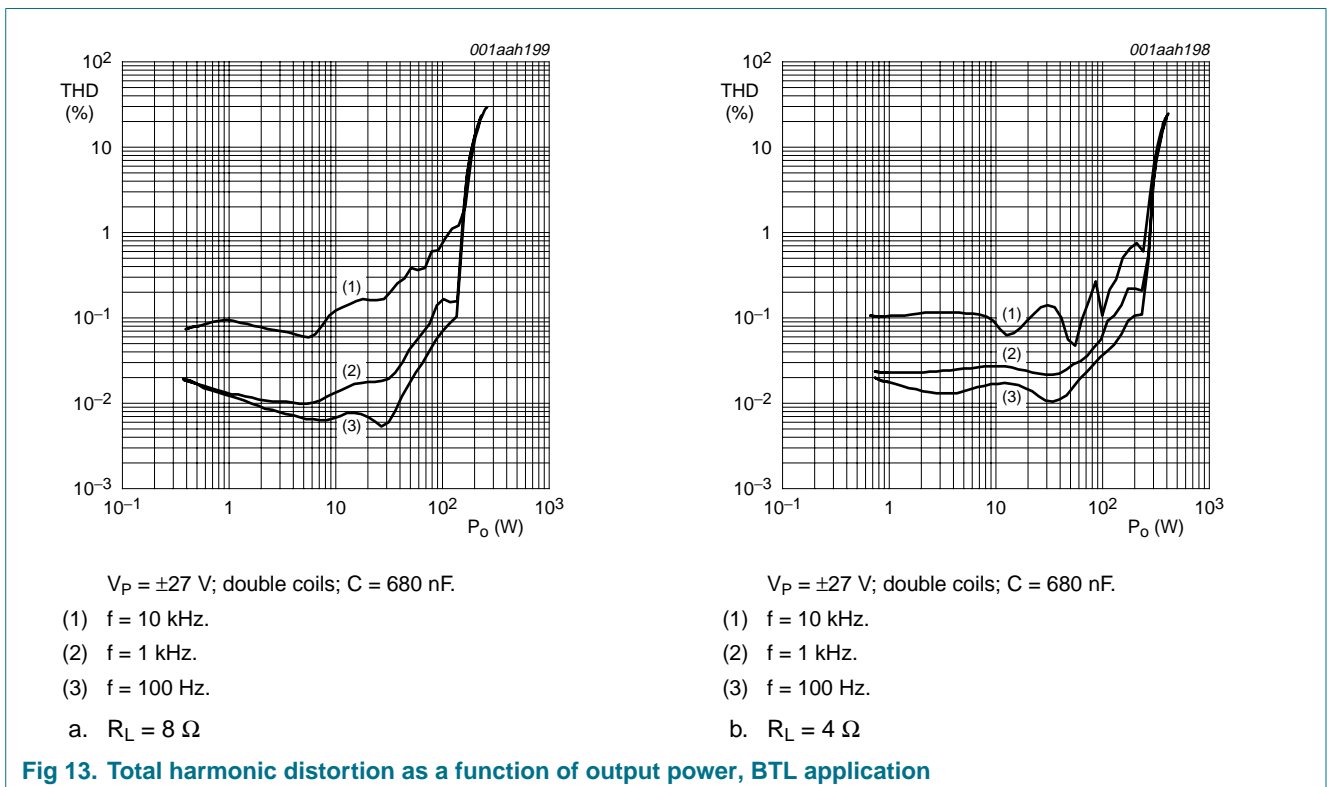
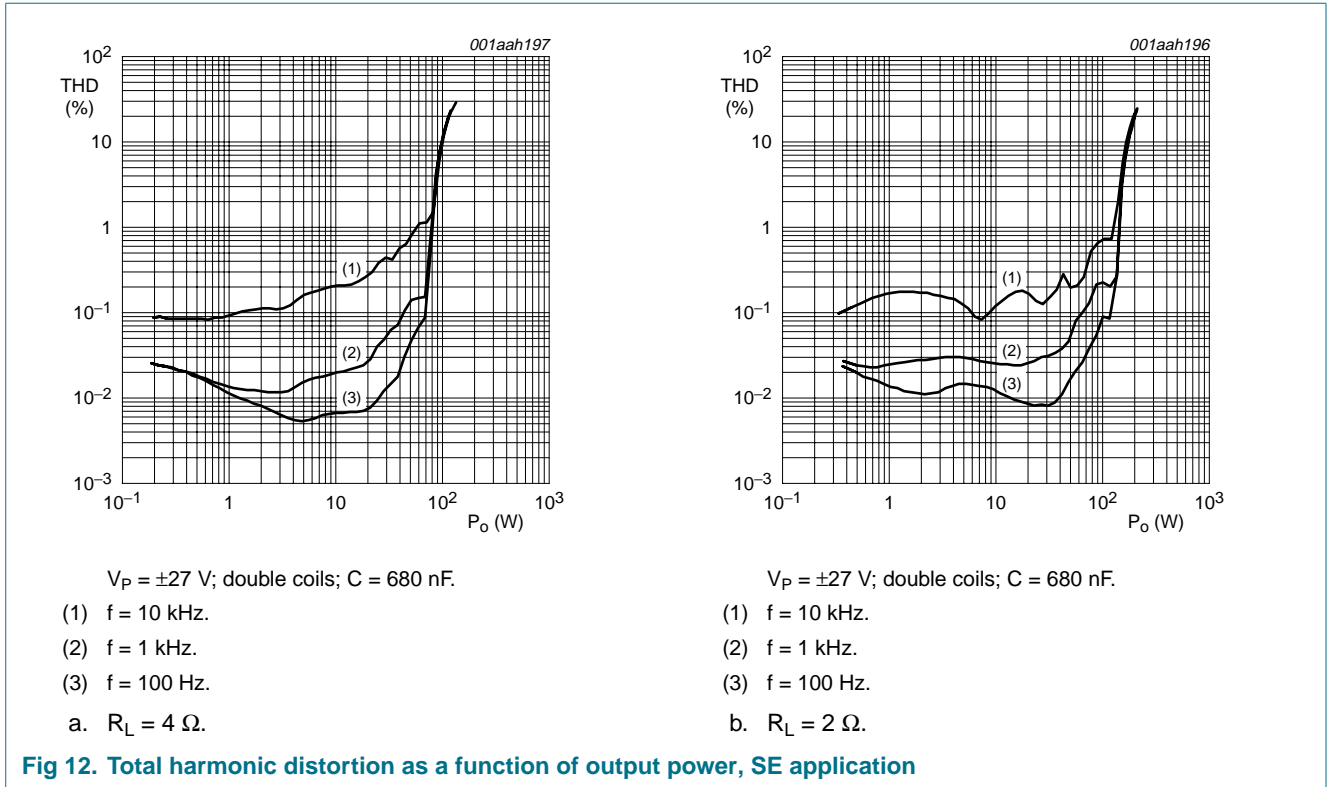
Fig 10. SE application schematic

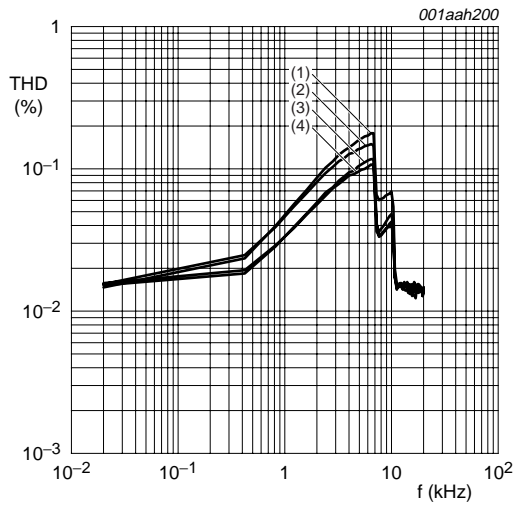


001aah233

Fig 11. BTL application schematic

12.8 Application graphs

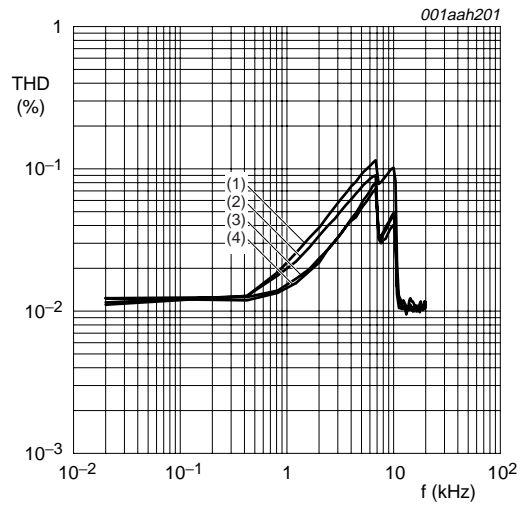




$P_o = 1 \text{ W}; C = 680 \text{ nF}; L = 22 \text{ } \mu\text{H}.$

- (1)  $V_p = \pm 14 \text{ V}.$
- (2)  $V_p = \pm 18 \text{ V}.$
- (3)  $V_p = \pm 27 \text{ V}.$
- (4)  $V_p = \pm 29 \text{ V}.$

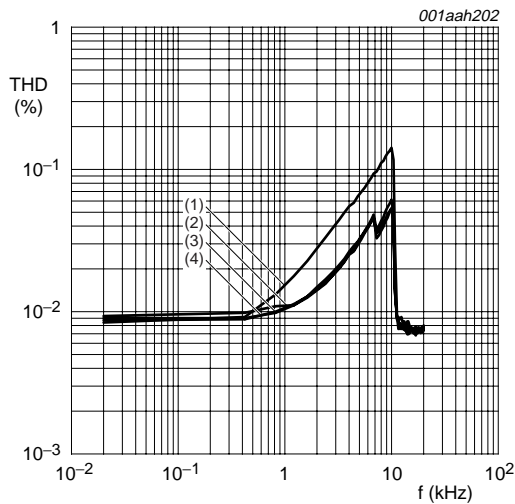
**Fig 14. Total harmonic distortion as a function of frequency, SE application with 2 Ω load**



$P_o = 1 \text{ W}; C = 680 \text{ nF}; L = 22 \text{ } \mu\text{H}.$

- (1)  $V_p = \pm 14 \text{ V}.$
- (2)  $V_p = \pm 18 \text{ V}.$
- (3)  $V_p = \pm 27 \text{ V}.$
- (4)  $V_p = \pm 29 \text{ V}.$

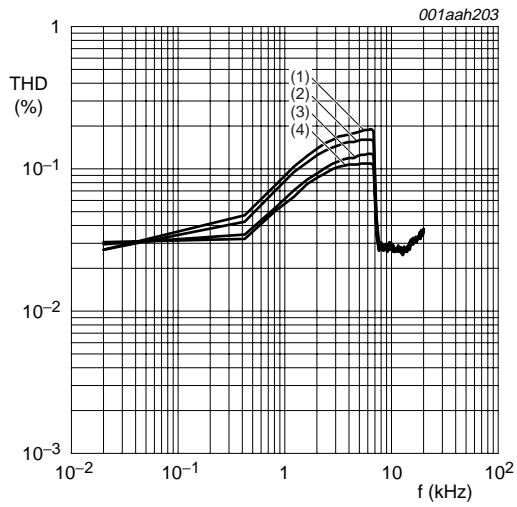
**Fig 15. Total harmonic distortion as a function of frequency, SE application with 4 Ω load**



$P_o = 1 \text{ W}; C = 680 \text{ nF}; L = 22 \text{ } \mu\text{H}.$

- (1)  $V_p = \pm 14 \text{ V}.$
- (2)  $V_p = \pm 29 \text{ V}.$
- (3)  $V_p = \pm 18 \text{ V}.$
- (4)  $V_p = \pm 27 \text{ V}.$

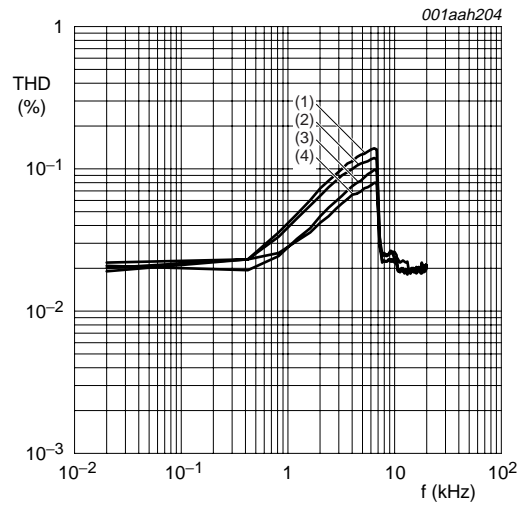
**Fig 16. Total harmonic distortion as a function of frequency, SE application with 8 Ω load**



$P_o = 1 \text{ W}; C = 680 \text{ nF}; L = 22 \text{ } \mu\text{H}.$

- (1)  $V_p = \pm 14 \text{ V}.$
- (2)  $V_p = \pm 18 \text{ V}.$
- (3)  $V_p = \pm 27 \text{ V}.$
- (4)  $V_p = \pm 29 \text{ V}.$

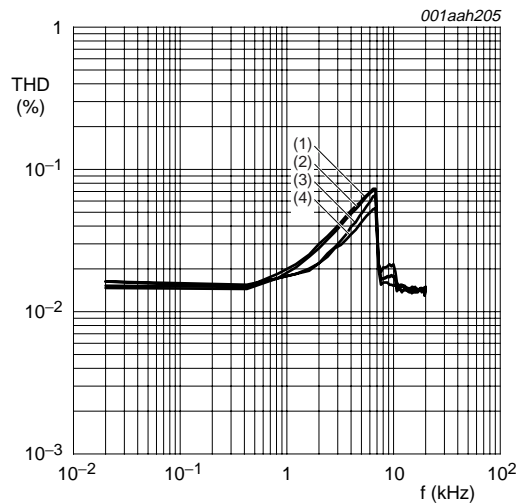
**Fig 17. Total harmonic distortion as a function of frequency, BTL application with 2 Ω load**



$P_o = 1 \text{ W}; C = 680 \text{ nF}; L = 22 \text{ } \mu\text{H}.$

- (1)  $V_p = \pm 14 \text{ V}.$
- (2)  $V_p = \pm 18 \text{ V}.$
- (3)  $V_p = \pm 27 \text{ V}.$
- (4)  $V_p = \pm 29 \text{ V}.$

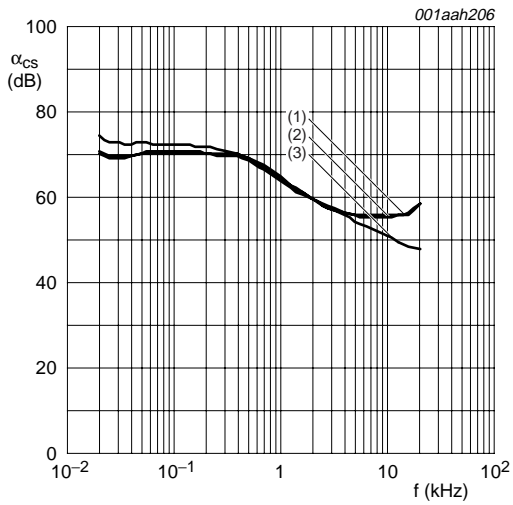
**Fig 18. Total harmonic distortion as a function of frequency, BTL application with 4 Ω load**



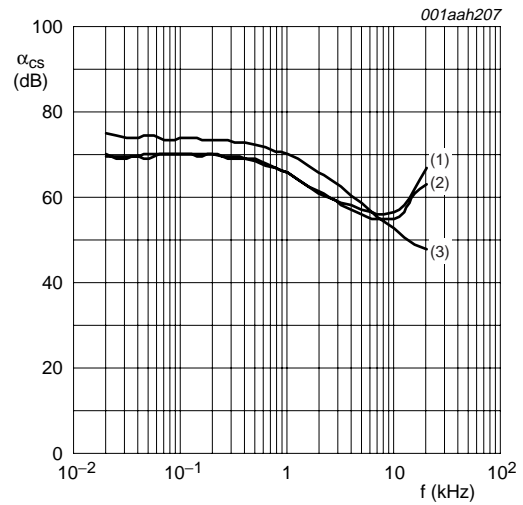
$P_o = 1 \text{ W}; C = 680 \text{ nF}; L = 22 \text{ } \mu\text{H}.$

- (1)  $V_p = \pm 14 \text{ V}.$
- (2)  $V_p = \pm 18 \text{ V}.$
- (3)  $V_p = \pm 27 \text{ V}.$
- (4)  $V_p = \pm 29 \text{ V}.$

**Fig 19. Total harmonic distortion as a function of frequency, BTL application with 8 Ω load**

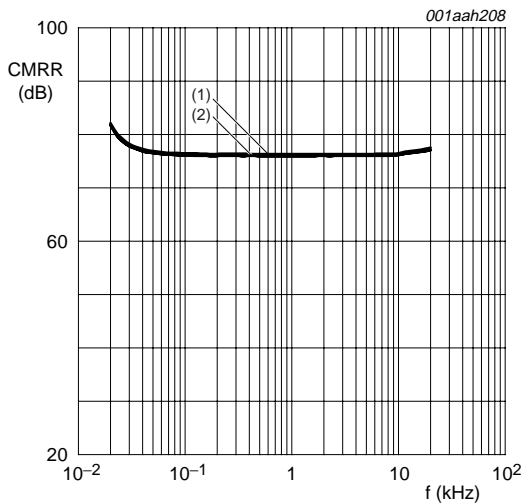


- $R_L = 4 \Omega$ .
- (1)  $V_P = \pm 29 \text{ V}$ .
  - (2)  $V_P = \pm 27 \text{ V}$ .
  - (3)  $V_P = \pm 14 \text{ V}$ .
- a. Channel 2 to channel 1.

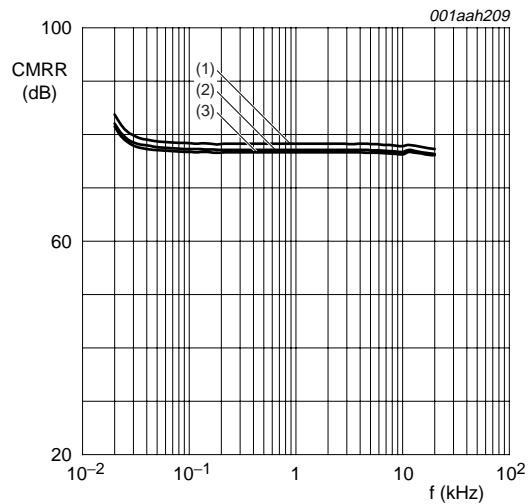


- $R_L = 4 \Omega$ .
- (1)  $V_P = \pm 27 \text{ V}$ .
  - (2)  $V_P = \pm 29 \text{ V}$ .
  - (3)  $V_P = \pm 14 \text{ V}$ .
- b. Channel 1 to channel 2.

Fig 20. Channel separation as a function of frequency, SE application



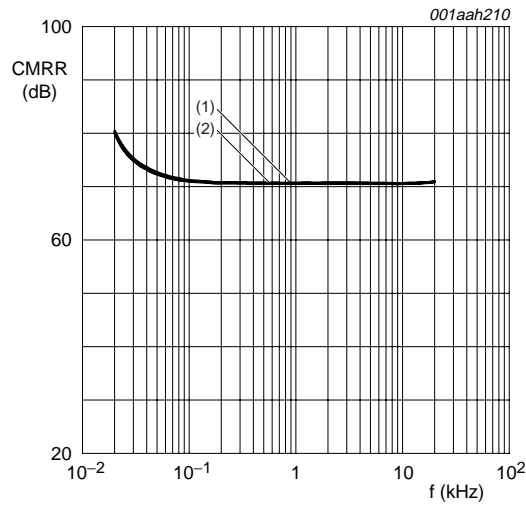
- (1)  $V_P = \pm 29 \text{ V}$ .
  - (2)  $V_P = \pm 27 \text{ V}$ .
  - (3)  $V_P = \pm 14 \text{ V}$ .
- a. Channel 1.



- (1)  $V_P = \pm 14 \text{ V}$ .
  - (2)  $V_P = \pm 29 \text{ V}$ .
  - (3)  $V_P = \pm 27 \text{ V}$ .
- b. Channel 2.

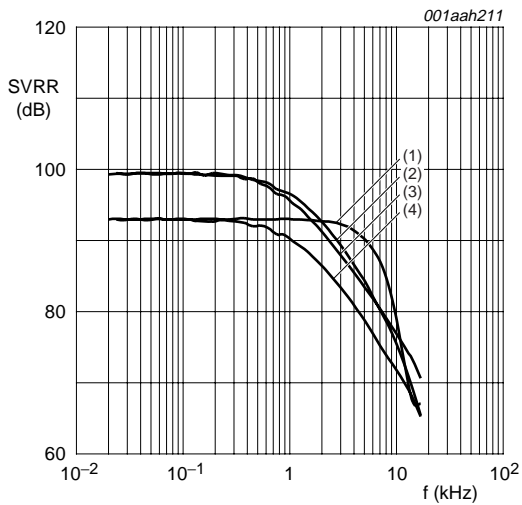
Fig 21. Common mode rejection ratio as a function of frequency, SE application



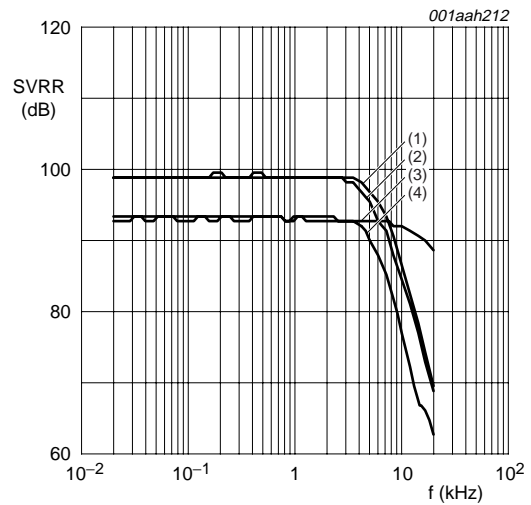


- (1)  $V_p = \pm 14$  V.
- (2)  $V_p = \pm 27$  V and  $\pm 29$  V.

Fig 22. Common mode rejection ratio as a function of frequency; BTL application

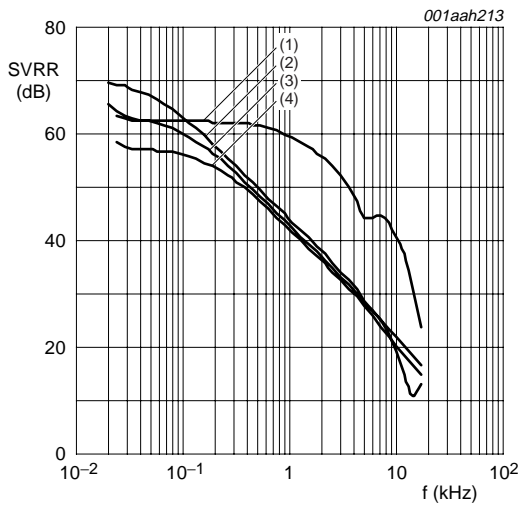


- (1) ripple in antiphase.
  - (2) ripple on  $V_{DD}$  only.
  - (3) ripple on  $V_{SS}$  only.
  - (4) ripple in phase.
- a. SE application;  $R_L = 4 \Omega$

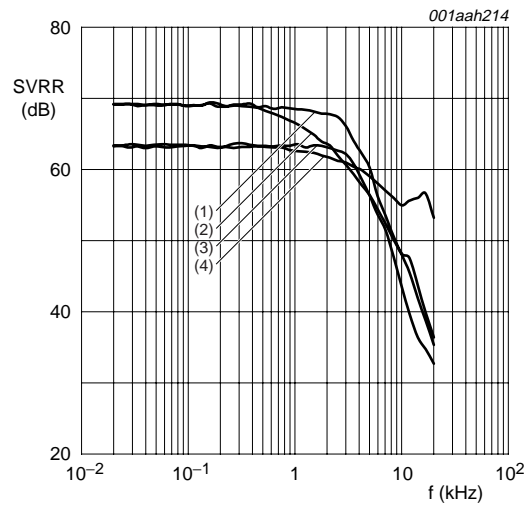


- (1) ripple on  $V_{SS}$  only.
  - (2) ripple on  $V_{DD}$  only.
  - (3) ripple in phase.
  - (4) ripple in antiphase.
- b. BTL application;  $R_L = 8 \Omega$

Fig 23. Supply voltage ripple rejection as a function of frequency; Standby mode

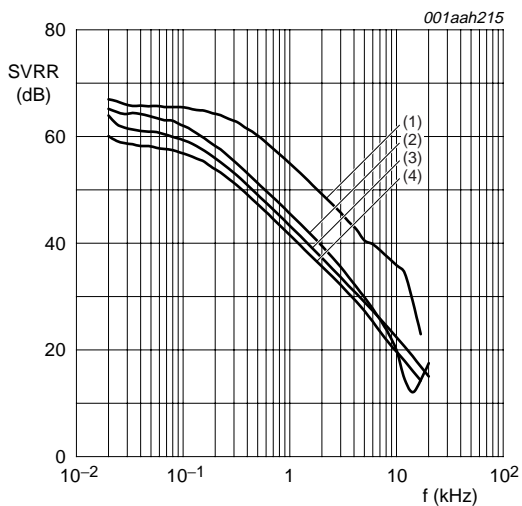


- (1) ripple on  $V_{DD}$  only.
  - (2) ripple in antiphase.
  - (3) ripple on  $V_{SS}$  only.
  - (4) ripple in phase.
- a. SE application;  $R_L = 4 \Omega$

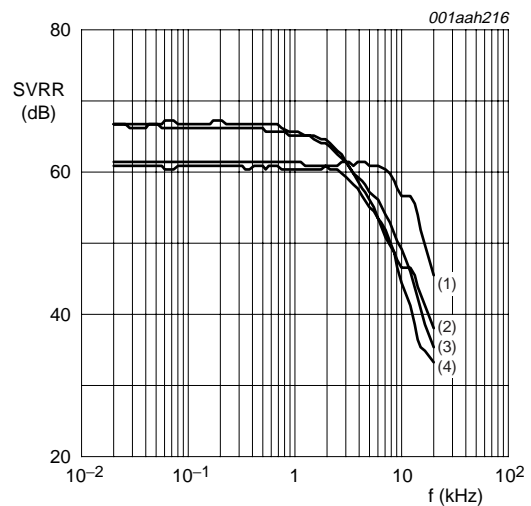


- (1) ripple on  $V_{SS}$  only.
  - (2) ripple on  $V_{DD}$  only.
  - (3) ripple in antiphase.
  - (4) ripple in phase.
- b. BTL application;  $R_L = 8 \Omega$

Fig 24. Supply voltage ripple rejection as a function of frequency; Mute mode

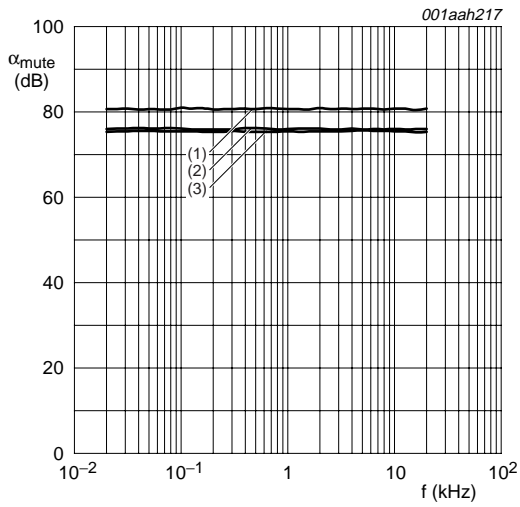


- (1) ripple on  $V_{DD}$  only.
  - (2) ripple in antiphase.
  - (3) ripple on  $V_{SS}$  only.
  - (4) ripple in phase.
- a. SE application;  $R_L = 4 \Omega$

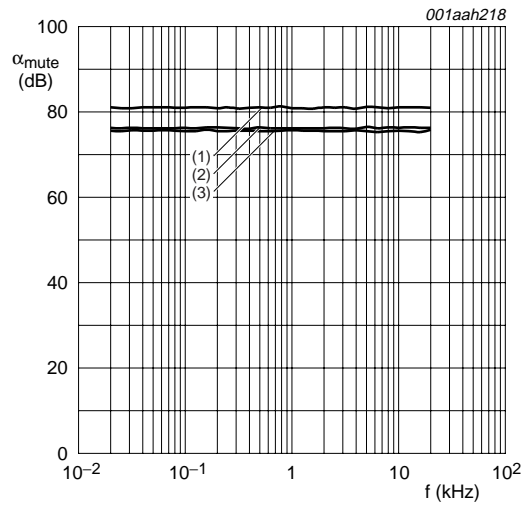


- (1) ripple in phase.
  - (2) ripple on  $V_{SS}$  only.
  - (3) ripple on  $V_{DD}$  only.
  - (4) ripple in antiphase.
- b. BTL application;  $R_L = 8 \Omega$

Fig 25. Supply voltage ripple rejection as a function of frequency; Operating mode

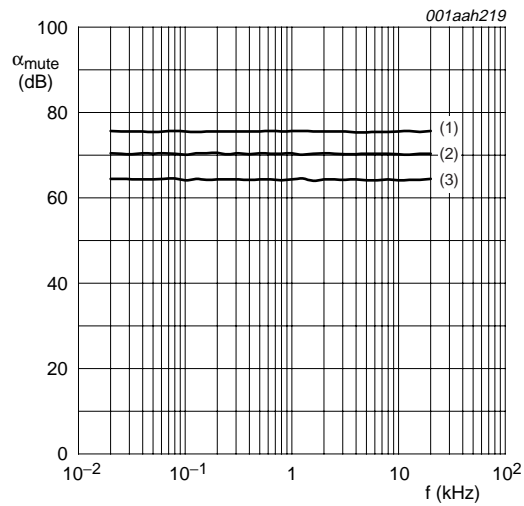


- (1)  $V_P = \pm 14$  V.
  - (2)  $V_P = \pm 27$  V.
  - (3)  $V_P = \pm 29$  V.
- a. Channel 1



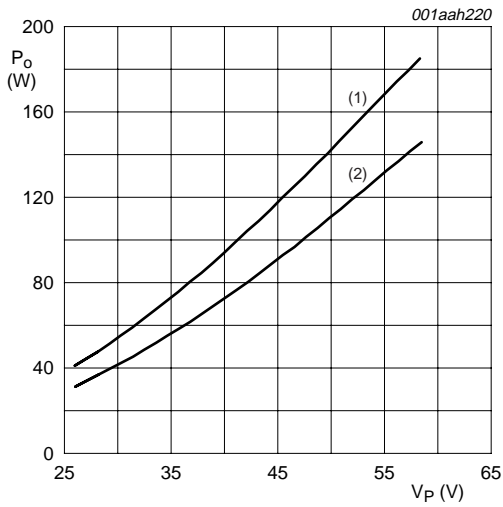
- (1)  $V_P = \pm 14$  V.
  - (2)  $V_P = \pm 27$  V.
  - (3)  $V_P = \pm 29$  V.
- b. Channel 2

Fig 26. Mute attenuation as a function of frequency, SE application



- (1)  $V_P = \pm 14$  V.
- (2)  $V_P = \pm 27$  V.
- (3)  $V_P = \pm 29$  V.

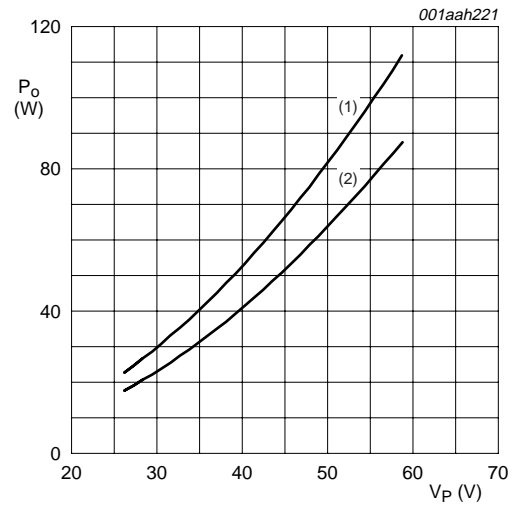
Fig 27. Mute attenuation as a function of frequency, BTL application



f = 1 kHz; double coils; C = 680 nF.

- (1) THD = 10 %.
- (2) THD = 0.5 %.

a. R<sub>L</sub> = 2 Ω

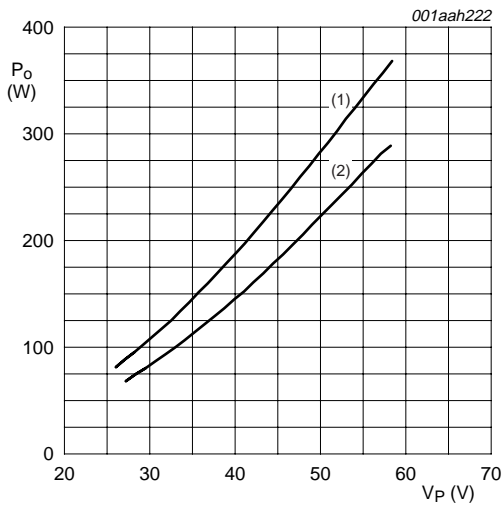


f = 1 kHz; double coils; C = 680 nF.

- (1) THD = 10 %.
- (2) THD = 0.5 %.

b. R<sub>L</sub> = 4 Ω

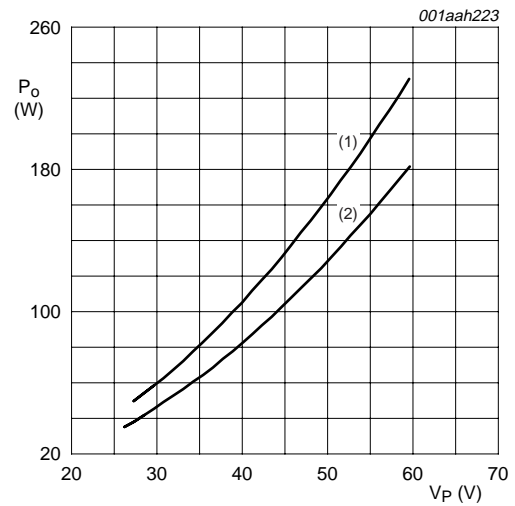
Fig 28. Output power as a function of supply voltage, SE application



f = 1 kHz; double coils; C = 680 nF.

- (1) THD = 10 %.
- (2) THD = 0.5 %.

a. R<sub>L</sub> = 4 Ω

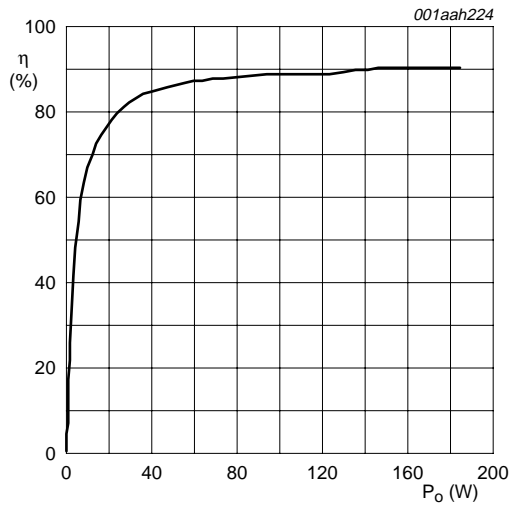


f = 1 kHz; double coils; C = 680 nF.

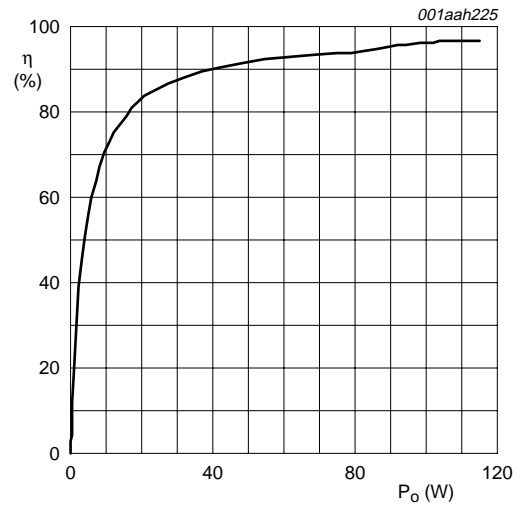
- (1) THD = 10 %.
- (2) THD = 0.5 %.

b. R<sub>L</sub> = 8 Ω

Fig 29. Output power as a function of supply voltage, BTL application

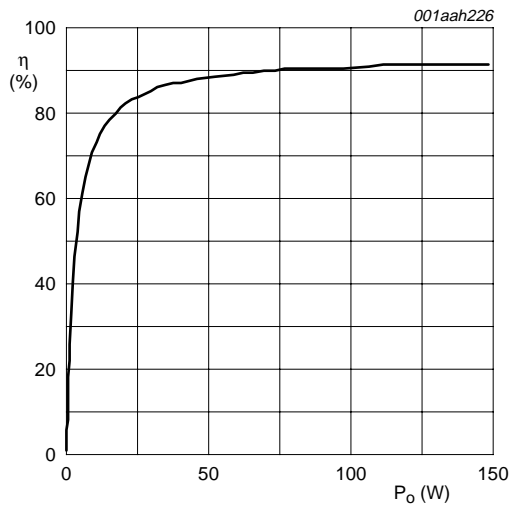


a.  $R_L = 2 \Omega$ ;  $V_P = \pm 28 \text{ V}$ .

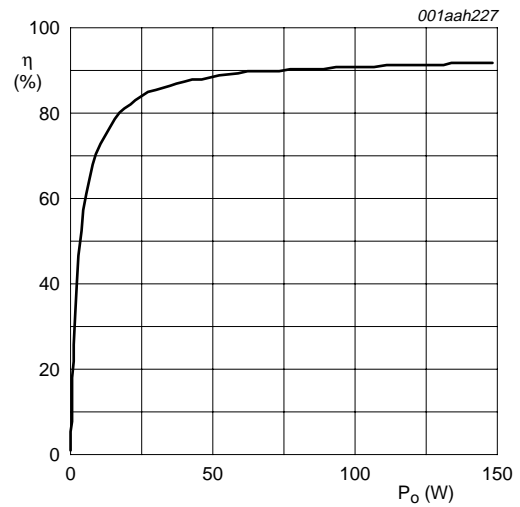


b.  $R_L = 4 \Omega$ ;  $V_P = \pm 29 \text{ V}$

Fig 30. Efficiency as a function of output power (one channel), SE application

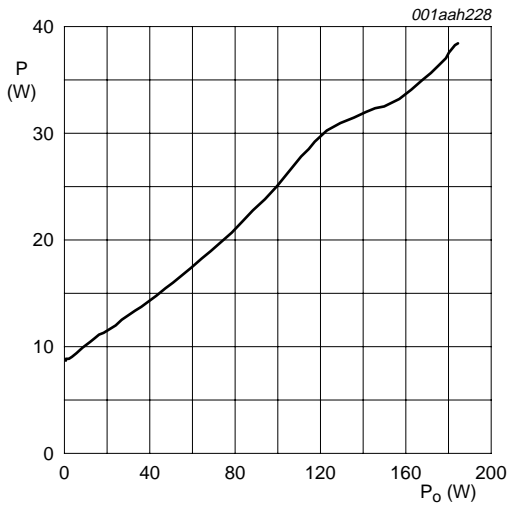


a.  $R_L = 4 \Omega$ ;  $V_P = \pm 18 \text{ V}$ .

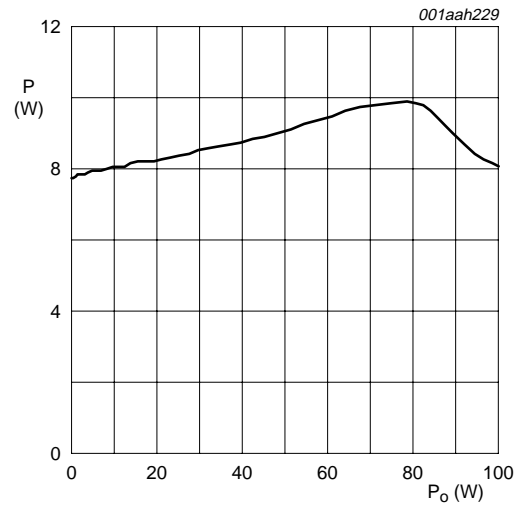


b.  $R_L = 4 \Omega$ ;  $V_P = \pm 27 \text{ V}$

Fig 31. Efficiency as a function of output power, BTL application

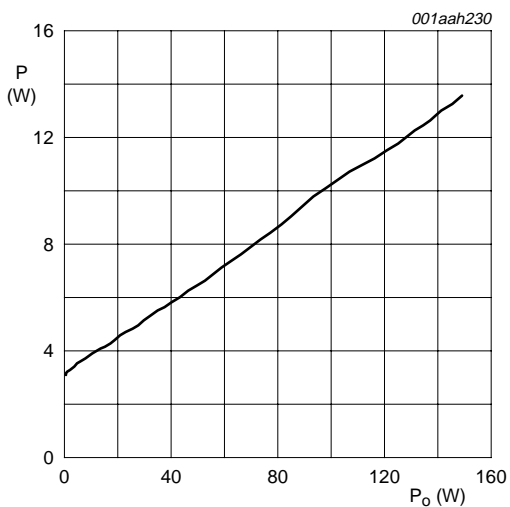


a.  $R_L = 2 \Omega$ ;  $V_P = \pm 28 \text{ V}$ .

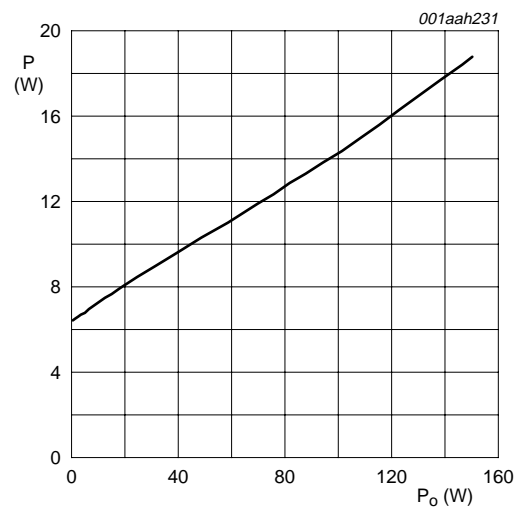


b.  $R_L = 4 \Omega$ ;  $V_P = \pm 29 \text{ V}$

Fig 32. Power dissipation as a function of output power (one channel), SE application



a.  $R_L = 4 \Omega$ ;  $V_P = \pm 18 \text{ V}$ .



b.  $R_L = 4 \Omega$ ;  $V_P = \pm 27 \text{ V}$

Fig 33. Power dissipation as a function of output power, BTL application

## 13. Test information

### 13.1 Quality information

This product has been qualified in accordance with the Automotive Electronics Council (AEC) standard *Q100 - Stress test qualification for integrated circuits*, and is suitable for use in automotive applications.

14. Package outline

HSOP24: plastic, heatsink small outline package; 24 leads; low stand-off height

SOT566-3

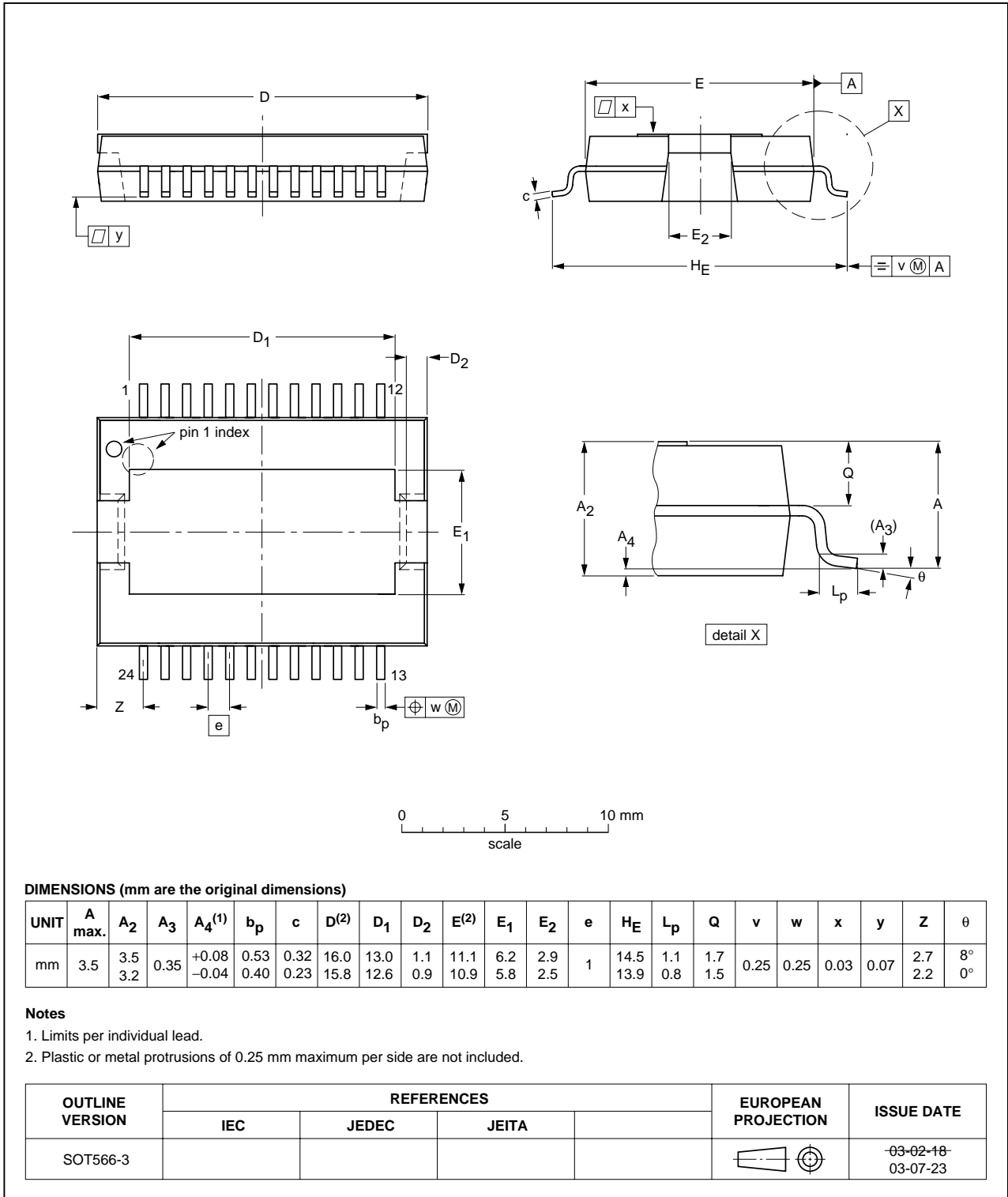


Fig 34. Package outline SOT566-3 (HSOP24)

## 15. Revision history

Table 11. Revision history

Document ID	Release date	Data sheet status	Change notice	Supersedes
TDF8591TH_1	20080305	Product data sheet	-	-



## 16. Legal information

### 16.1 Data sheet status

Document status <sup>[1][2]</sup>	Product status <sup>[3]</sup>	Definition
Objective [short] data sheet	Development	This document contains data from the objective specification for product development.
Preliminary [short] data sheet	Qualification	This document contains data from the preliminary specification.
Product [short] data sheet	Production	This document contains the product specification.

[1] Please consult the most recently issued document before initiating or completing a design.

[2] The term 'short data sheet' is explained in section "Definitions".

[3] The product status of device(s) described in this document may have changed since this document was published and may differ in case of multiple devices. The latest product status information is available on the Internet at URL <http://www.nxp.com>.

### 16.2 Definitions

**Draft** — The document is a draft version only. The content is still under internal review and subject to formal approval, which may result in modifications or additions. NXP Semiconductors does not give any representations or warranties as to the accuracy or completeness of information included herein and shall have no liability for the consequences of use of such information.

**Short data sheet** — A short data sheet is an extract from a full data sheet with the same product type number(s) and title. A short data sheet is intended for quick reference only and should not be relied upon to contain detailed and full information. For detailed and full information see the relevant full data sheet, which is available on request via the local NXP Semiconductors sales office. In case of any inconsistency or conflict with the short data sheet, the full data sheet shall prevail.

### 16.3 Disclaimers

**General** — Information in this document is believed to be accurate and reliable. However, NXP Semiconductors does not give any representations or warranties, expressed or implied, as to the accuracy or completeness of such information and shall have no liability for the consequences of use of such information.

**Right to make changes** — NXP Semiconductors reserves the right to make changes to information published in this document, including without limitation specifications and product descriptions, at any time and without notice. This document supersedes and replaces all information supplied prior to the publication hereof.

**Suitability for use** — NXP Semiconductors products are not designed, authorized or warranted to be suitable for use in medical, military, aircraft, space or life support equipment, nor in applications where failure or

malfunction of an NXP Semiconductors product can reasonably be expected to result in personal injury, death or severe property or environmental damage. NXP Semiconductors accepts no liability for inclusion and/or use of NXP Semiconductors products in such equipment or applications and therefore such inclusion and/or use is at the customer's own risk.

**Applications** — Applications that are described herein for any of these products are for illustrative purposes only. NXP Semiconductors makes no representation or warranty that such applications will be suitable for the specified use without further testing or modification.

**Limiting values** — Stress above one or more limiting values (as defined in the Absolute Maximum Ratings System of IEC 60134) may cause permanent damage to the device. Limiting values are stress ratings only and operation of the device at these or any other conditions above those given in the Characteristics sections of this document is not implied. Exposure to limiting values for extended periods may affect device reliability.

**Terms and conditions of sale** — NXP Semiconductors products are sold subject to the general terms and conditions of commercial sale, as published at <http://www.nxp.com/profile/terms>, including those pertaining to warranty, intellectual property rights infringement and limitation of liability, unless explicitly otherwise agreed to in writing by NXP Semiconductors. In case of any inconsistency or conflict between information in this document and such terms and conditions, the latter will prevail.

**No offer to sell or license** — Nothing in this document may be interpreted or construed as an offer to sell products that is open for acceptance or the grant, conveyance or implication of any license under any copyrights, patents or other industrial or intellectual property rights.

### 16.4 Trademarks

Notice: All referenced brands, product names, service names and trademarks are the property of their respective owners.

## 17. Contact information

For additional information, please visit: <http://www.nxp.com>

For sales office addresses, send an email to: [salesaddresses@nxp.com](mailto:salesaddresses@nxp.com)

**18. Contents**

<b>1</b>	<b>General description</b> .....	<b>1</b>	<b>18</b>	<b>Contents</b> .....	<b>34</b>
<b>2</b>	<b>Features</b> .....	<b>1</b>			
<b>3</b>	<b>Ordering information</b> .....	<b>1</b>			
<b>4</b>	<b>Block diagram</b> .....	<b>2</b>			
<b>5</b>	<b>Pinning information</b> .....	<b>2</b>			
5.1	Pinning .....	2			
5.2	Pin description .....	3			
<b>6</b>	<b>Functional description</b> .....	<b>3</b>			
6.1	Introduction .....	3			
6.2	Mode selection .....	4			
6.3	Pulse width modulation frequency .....	5			
6.4	Protections .....	6			
6.4.1	Thermal foldback .....	6			
6.4.2	Overtemperature protection .....	6			
6.4.3	Overcurrent protection .....	6			
6.4.4	Window protection .....	8			
6.4.5	Supply voltage protections .....	8			
6.5	Diagnostic output .....	9			
6.6	Differential inputs .....	9			
<b>7</b>	<b>Limiting values</b> .....	<b>10</b>			
<b>8</b>	<b>Thermal characteristics</b> .....	<b>11</b>			
<b>9</b>	<b>Static characteristics</b> .....	<b>11</b>			
<b>10</b>	<b>Dynamic characteristics</b> .....	<b>13</b>			
10.1	Dynamic characteristics (SE) .....	13			
10.2	Dynamic characteristics (BTL) .....	14			
<b>11</b>	<b>Switching characteristics</b> .....	<b>15</b>			
<b>12</b>	<b>Application information</b> .....	<b>15</b>			
12.1	BTL application .....	15			
12.2	Output power estimation .....	15			
12.3	External clock .....	16			
12.4	Noise .....	16			
12.5	Heat sink requirements .....	17			
12.6	Pumping effects .....	17			
12.7	Application schematics .....	18			
12.8	Application graphs .....	21			
<b>13</b>	<b>Test information</b> .....	<b>30</b>			
13.1	Quality information .....	30			
<b>14</b>	<b>Package outline</b> .....	<b>31</b>			
<b>15</b>	<b>Revision history</b> .....	<b>32</b>			
<b>16</b>	<b>Legal information</b> .....	<b>33</b>			
16.1	Data sheet status .....	33			
16.2	Definitions .....	33			
16.3	Disclaimers .....	33			
16.4	Trademarks .....	33			
<b>17</b>	<b>Contact information</b> .....	<b>33</b>			

Please be aware that important notices concerning this document and the product(s) described herein, have been included in section 'Legal information'.



© NXP B.V. 2008.

All rights reserved.

For more information, please visit: <http://www.nxp.com>

For sales office addresses, please send an email to: [salesaddresses@nxp.com](mailto:salesaddresses@nxp.com)

Date of release: 5 March 2008

Document identifier: TDF8591TH\_1