



# TDF8597

I<sup>2</sup>C-bus controlled dual channel 43 W/2  $\Omega$ , single channel 85 W/1  $\Omega$  class-D power amplifier with full diagnostics

Rev. 1 — 17 November 2011

Preliminary short data sheet

## 1. General description

---

The TDF8597 is a dual Bridge-Tied Load (BTL) car audio amplifier comprising an NDMOST-NDMOST output stage based on SOI BCDMOS technology. The TDF8597 fully supports start/stop systems as it can operate at a battery voltage as low as 6 V. The TDF8597 can be controlled with or without I<sup>2</sup>C. I<sup>2</sup>C allows control of load detection results and fault conditions to be read. The TDF8597 is a high efficiency class-D amplifier with low dissipation. Due to the low dissipation, the device can be used with a smaller heat sink than standard class AB amplifiers. Six different I<sup>2</sup>C addresses can be selected with external resistors connected to the ADS and MOD pins. If pin ADS is a short-circuit to ground, the TDF8597 operates in non-I<sup>2</sup>C mode, and no I<sup>2</sup>C communication is possible. Use pins EN and ON to switch to operating and mute modes.

## 2. Features and benefits

---

- High-efficiency
- Low quiescent current
- Operating voltage from 6 V to 24 V
- Start/Stop ready: continues to operate without audible disturbance during engine start at a battery voltage as low as 6 V
- 4  $\Omega$  or 2  $\Omega$  capable stereo BTL channels or 1  $\Omega$  capable mono BTL channel
- Differential inputs
- Fast-mode I<sup>2</sup>C-bus
- I<sup>2</sup>C-bus mode with 6 I<sup>2</sup>C-bus addresses or non-I<sup>2</sup>C-bus mode operation
- Clip detect selectable at 0.2 % or 10 % THD
- Independent short-circuit protection for each channel
- Advanced short-circuit protection for load, GND and supply
- Thermal foldback and thermal protection
- DC-offset protection
- Selectable AD or BD modulation
- Advanced clocking:
  - ◆ Switchable oscillator clock source: internal for Master mode or external for Slave mode
  - ◆ Spread spectrum mode
  - ◆ Phase staggering
  - ◆ Frequency hopping
- No 'pop noise' caused by DC output offset voltage
- I<sup>2</sup>C-bus mode:



- ◆ Load diagnostics
  - Speaker load, open load and shorted load
  - Amplifier output to ground and to supply shorts
  - Tweeter detection
- ◆ Thermal pre-warning diagnostic level setting
- ◆ Identification of activated protection or warnings
- ◆ Selectable diagnostic information available on DIAG and CLIP pins
- Qualified in accordance with AEC-Q100

### 3. Quick reference data

Table 1. Quick reference data

Symbol	Parameter	Conditions	Min	Typ	Max	Unit
<b>General; V<sub>P</sub> = 14.4 V</b>						
V <sub>P</sub>	supply voltage		6	14.4	24	V
I <sub>P</sub>	supply current	off state; V <sub>EN</sub> < 0.8 V	-	2	10	μA
I <sub>q</sub>	quiescent current	no load, snubbers and output filter connected	-	90	120	mA
<b>Stereo mode; V<sub>P</sub> = 14.4 V</b>						
P <sub>o</sub>	output power	R <sub>L</sub> = 4 Ω; THD = 10 %	24	26	-	W
		R <sub>L</sub> = 2 Ω; THD = 10 %	39	43	-	W
<b>Stereo mode; V<sub>P</sub> = 24 V</b>						
P <sub>o</sub>	output power	R <sub>L</sub> = 4 Ω; THD = 10 %	-	70	-	W
		R <sub>L</sub> = 2 Ω; THD = 10 %	-	100	-	W
<b>Parallel mode; V<sub>P</sub> = 14.4 V</b>						
P <sub>o</sub>	output power	R <sub>L</sub> = 1 Ω; THD = 10 %	-	85	-	W
<b>Parallel mode; V<sub>P</sub> = 24 V</b>						
P <sub>o</sub>	output power	R <sub>L</sub> = 2 Ω; THD = 10 %	-	138	-	W
		R <sub>L</sub> = 1 Ω; THD = 1 %	135	150	-	W

### 4. Ordering information

Table 2. Ordering information

Type number	Package		Version
	Name	Description	
TDF8597TH	HSOP36	HSOP36: plastic, heatsink small outline package; 36 leads; low stand-off height	SOT851-2

### 5. Block diagram

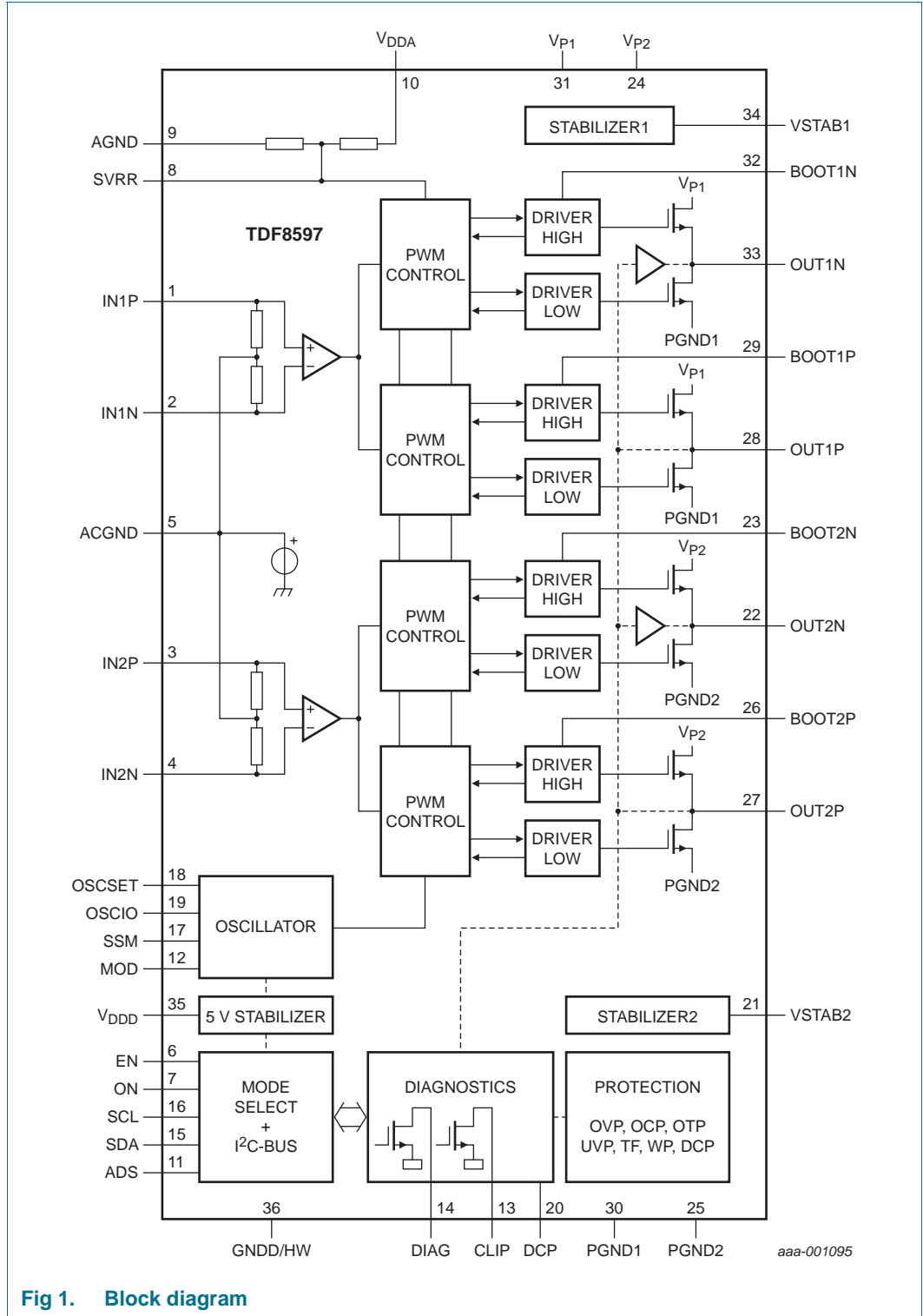


Fig 1. Block diagram

## 6. Limiting values

**Table 3. Limiting values**

In accordance with the Absolute Maximum Rating System (IEC 60134).

Symbol	Parameter	Conditions	Min	Max	Unit
V <sub>P</sub>	supply voltage	Operating mode	-	29	V
		off state	[1] -1	+50	V
		load dump; duration 50 ms; t <sub>r</sub> > 2.5 ms	-	50	V
I <sub>ORM</sub>	repetitive peak output current	maximum output current limiting	[2] 8	-	A
I <sub>OM</sub>	peak output current	non-repetitive:			
		Stereo mode	-	18	A
		Parallel mode	-	12	A
I <sub>sink(max)</sub>	maximum sink current	pins DIAG and CLIP	0	5	mA
V <sub>i</sub>	input voltage	referred to GNDD:			
		pins SCL and SDA	0	5.5	V
		pins DIAG and CLIP	0	10	V
		pin OSCIO	0	5.5	V
		referred to AGND:			
		pins EN and ON	0	5.5	V
		pins ADS, MOD and SSM	0	5.5	V
pins IN1P, IN1N, IN2P, and IN2N	0	10	V		
V <sub>i(dif)</sub>	differential input voltage	RMS; pins IN1P, IN1N, IN2P, and IN2N	0	3	V
R <sub>ESR</sub>	equivalent series resistance	as seen between pins V <sub>P</sub> and PGNDn	-	350	mΩ
T <sub>j</sub>	junction temperature		-	150	°C
T <sub>stg</sub>	storage temperature		-55	+150	°C
T <sub>amb</sub>	ambient temperature		-40	+85	°C
V <sub>ESD</sub>	electrostatic discharge voltage	HBM	[3]		
		C = 100 pF; R <sub>s</sub> = 1.5 kΩ	-	2000	V
		CDM	[4]		
		non-corner pins (except pin 10, V <sub>DDA</sub> )	-	500	V
		pin 10, V <sub>DDA</sub>	-	300	V
	corner pins	-	750	V	
V <sub>(prot)</sub>	protection voltage	AC and DC short-circuit voltage of output pins across load and to supply and ground	[5] 0	V <sub>P</sub>	V

[1] Floating condition assumed for outputs.

[2] Current limiting concept.

[3] Human Body Model (HBM).

[4] Charged-Device Model (CDM).

[5] The output pins are defined as the output pins of the filter connected between the TDF8597 output pins and the load.

## 7. Revision history

Table 4. Revision history

Document ID	Release date	Data sheet status	Change notice	Supersedes
TDF8597_SDS v.1	20111117	Preliminary short data sheet	-	-

## 8. Legal information

### 8.1 Data sheet status

Document status <sup>[1][2]</sup>	Product status <sup>[3]</sup>	Definition
Objective [short] data sheet	Development	This document contains data from the objective specification for product development.
Preliminary [short] data sheet	Qualification	This document contains data from the preliminary specification.
Product [short] data sheet	Production	This document contains the product specification.

[1] Please consult the most recently issued document before initiating or completing a design.

[2] The term 'short data sheet' is explained in section "Definitions".

[3] The product status of device(s) described in this document may have changed since this document was published and may differ in case of multiple devices. The latest product status information is available on the Internet at URL <http://www.nxp.com>.

### 8.2 Definitions

**Draft** — The document is a draft version only. The content is still under internal review and subject to formal approval, which may result in modifications or additions. NXP Semiconductors does not give any representations or warranties as to the accuracy or completeness of information included herein and shall have no liability for the consequences of use of such information.

**Short data sheet** — A short data sheet is an extract from a full data sheet with the same product type number(s) and title. A short data sheet is intended for quick reference only and should not be relied upon to contain detailed and full information. For detailed and full information see the relevant full data sheet, which is available on request via the local NXP Semiconductors sales office. In case of any inconsistency or conflict with the short data sheet, the full data sheet shall prevail.

**Product specification** — The information and data provided in a Product data sheet shall define the specification of the product as agreed between NXP Semiconductors and its customer, unless NXP Semiconductors and customer have explicitly agreed otherwise in writing. In no event however, shall an agreement be valid in which the NXP Semiconductors product is deemed to offer functions and qualities beyond those described in the Product data sheet.

### 8.3 Disclaimers

**Limited warranty and liability** — Information in this document is believed to be accurate and reliable. However, NXP Semiconductors does not give any representations or warranties, expressed or implied, as to the accuracy or completeness of such information and shall have no liability for the consequences of use of such information.

In no event shall NXP Semiconductors be liable for any indirect, incidental, punitive, special or consequential damages (including - without limitation - lost profits, lost savings, business interruption, costs related to the removal or replacement of any products or rework charges) whether or not such damages are based on tort (including negligence), warranty, breach of contract or any other legal theory.

Notwithstanding any damages that customer might incur for any reason whatsoever, NXP Semiconductors' aggregate and cumulative liability towards customer for the products described herein shall be limited in accordance with the *Terms and conditions of commercial sale* of NXP Semiconductors.

**Right to make changes** — NXP Semiconductors reserves the right to make changes to information published in this document, including without limitation specifications and product descriptions, at any time and without notice. This document supersedes and replaces all information supplied prior to the publication hereof.

**Suitability for use** — NXP Semiconductors products are not designed, authorized or warranted to be suitable for use in life support, life-critical or safety-critical systems or equipment, nor in applications where failure or

malfunction of an NXP Semiconductors product can reasonably be expected to result in personal injury, death or severe property or environmental damage. NXP Semiconductors accepts no liability for inclusion and/or use of NXP Semiconductors products in such equipment or applications and therefore such inclusion and/or use is at the customer's own risk.

**Applications** — Applications that are described herein for any of these products are for illustrative purposes only. NXP Semiconductors makes no representation or warranty that such applications will be suitable for the specified use without further testing or modification.

Customers are responsible for the design and operation of their applications and products using NXP Semiconductors products, and NXP Semiconductors accepts no liability for any assistance with applications or customer product design. It is customer's sole responsibility to determine whether the NXP Semiconductors product is suitable and fit for the customer's applications and products planned, as well as for the planned application and use of customer's third party customer(s). Customers should provide appropriate design and operating safeguards to minimize the risks associated with their applications and products.

NXP Semiconductors does not accept any liability related to any default, damage, costs or problem which is based on any weakness or default in the customer's applications or products, or the application or use by customer's third party customer(s). Customer is responsible for doing all necessary testing for the customer's applications and products using NXP Semiconductors products in order to avoid a default of the applications and the products or of the application or use by customer's third party customer(s). NXP does not accept any liability in this respect.

**Limiting values** — Stress above one or more limiting values (as defined in the Absolute Maximum Ratings System of IEC 60134) will cause permanent damage to the device. Limiting values are stress ratings only and (proper) operation of the device at these or any other conditions above those given in the Recommended operating conditions section (if present) or the Characteristics sections of this document is not warranted. Constant or repeated exposure to limiting values will permanently and irreversibly affect the quality and reliability of the device.

**Terms and conditions of commercial sale** — NXP Semiconductors products are sold subject to the general terms and conditions of commercial sale, as published at <http://www.nxp.com/profile/terms>, unless otherwise agreed in a valid written individual agreement. In case an individual agreement is concluded only the terms and conditions of the respective agreement shall apply. NXP Semiconductors hereby expressly objects to applying the customer's general terms and conditions with regard to the purchase of NXP Semiconductors products by customer.

**No offer to sell or license** — Nothing in this document may be interpreted or construed as an offer to sell products that is open for acceptance or the grant, conveyance or implication of any license under any copyrights, patents or other industrial or intellectual property rights.

**Export control** — This document as well as the item(s) described herein may be subject to export control regulations. Export might require a prior authorization from competent authorities.

**Quick reference data** — The Quick reference data is an extract of the product data given in the Limiting values and Characteristics sections of this document, and as such is not complete, exhaustive or legally binding.

**Non-automotive qualified products** — Unless this data sheet expressly states that this specific NXP Semiconductors product is automotive qualified, the product is not suitable for automotive use. It is neither qualified nor tested in accordance with automotive testing or application requirements. NXP Semiconductors accepts no liability for inclusion and/or use of non-automotive qualified products in automotive equipment or applications.

In the event that customer uses the product for design-in and use in automotive applications to automotive specifications and standards, customer (a) shall use the product without NXP Semiconductors' warranty of the product for such automotive applications, use and specifications, and (b)

whenever customer uses the product for automotive applications beyond NXP Semiconductors' specifications such use shall be solely at customer's own risk, and (c) customer fully indemnifies NXP Semiconductors for any liability, damages or failed product claims resulting from customer design and use of the product for automotive applications beyond NXP Semiconductors' standard warranty and NXP Semiconductors' product specifications.

## 8.4 Trademarks

Notice: All referenced brands, product names, service names and trademarks are the property of their respective owners.

**I<sup>2</sup>C-bus** — logo is a trademark of NXP B.V.

## 9. Contact information

For more information, please visit: <http://www.nxp.com>

For sales office addresses, please send an email to: [salesaddresses@nxp.com](mailto:salesaddresses@nxp.com)

## 10. Contents

---

<b>1</b>	<b>General description</b> .....	<b>1</b>
<b>2</b>	<b>Features and benefits</b> .....	<b>1</b>
<b>3</b>	<b>Quick reference data</b> .....	<b>2</b>
<b>4</b>	<b>Ordering information</b> .....	<b>2</b>
<b>5</b>	<b>Block diagram</b> .....	<b>3</b>
<b>6</b>	<b>Limiting values</b> .....	<b>4</b>
<b>7</b>	<b>Revision history</b> .....	<b>5</b>
<b>8</b>	<b>Legal information</b> .....	<b>6</b>
8.1	Data sheet status .....	6
8.2	Definitions .....	6
8.3	Disclaimers .....	6
8.4	Trademarks .....	7
<b>9</b>	<b>Contact information</b> .....	<b>7</b>
<b>10</b>	<b>Contents</b> .....	<b>8</b>

---

Please be aware that important notices concerning this document and the product(s) described herein, have been included in section 'Legal information'.

---

© NXP B.V. 2011.

All rights reserved.

For more information, please visit: <http://www.nxp.com>

For sales office addresses, please send an email to: [salesaddresses@nxp.com](mailto:salesaddresses@nxp.com)

Date of release: 17 November 2011

Document identifier: TDF8597\_SDS