

## 0.39" Single Digit Displays

### Features

- High efficiency, low power consumption.
- Extremely low current
- Luminous evenly distributed on each segment.
- RoHS compliance.



S39V0



### Descriptions

- Industrial standard size
- The displays provide excellent reliability in bright ambient light.
- The devices are made with white segment and black surface.

### Applications

- Audio equipment or instrument panels
- General use for digital indicator
- Multimedia product

### Device Selection Guide

Part No.	Chip		Face Color
	Material	Emitted Color	
TDH-D2SV-3911B	AllnGaP	Super Deep Red	Black

**Absolute Maximum Ratings (Ta=25°C)**

Parameter	Symbol	Value	Unit
Reverse Voltage/Segment	<b>VR</b>	5	V
Continuous Forward Current/Segment (Note 1)	<b>IF</b>	20	mA
Recommend Use Current/ Segment (Note 2)	<b>IF</b>	5~10	mA
Peak Forward Current/Segment	<b>IFP</b>	80	mA
Power Dissipation	<b>Pd</b>	70	mW
Soldering Temperature (Note 3)	<b>Tsol</b>	260 ± 5	°C
Operating Temperature	<b>Topr</b>	-40 ~ +85	°C
Storage Temperature	<b>Tstg</b>	-40 ~ +85	°C

**Note 1:** This is the limit current, not allowed to use when the product work continuously.

2. It is recommended that the product is driven by TTL, CMOS.

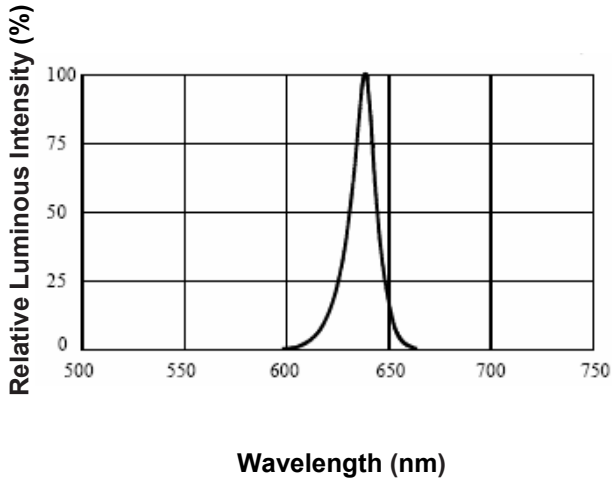
3. Soldering time ≤ 5 seconds

**Electro-Optical Characteristics (Ta=25°C)**

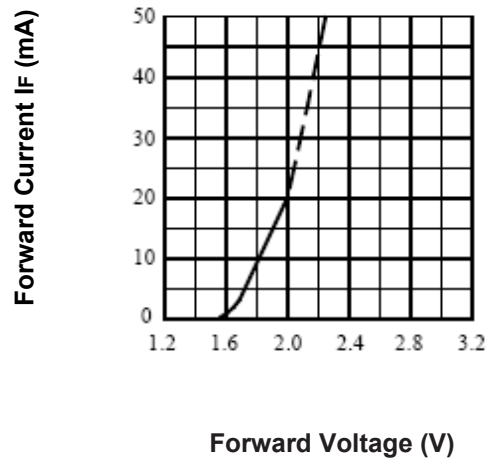
Parameter	Symbol	Typ.	Max.	Unit	Condition
Luminous Intensity/ Segment	<b>Iv</b>	11	-----	mcd	IF =10mA
Dominant wavelength	<b>λd</b>	640	-----	nm	IF =20mA
Spectrum Radiation Bandwidth	<b>Δλ</b>	30	-----	nm	
Forward Voltage	<b>VF</b>	2.0	2.5	V	
Reverse Current	<b>IR</b>	-----	50	μA	VR=5V

Typical Electro-Optical Characteristics Curves (Ta=25°C)

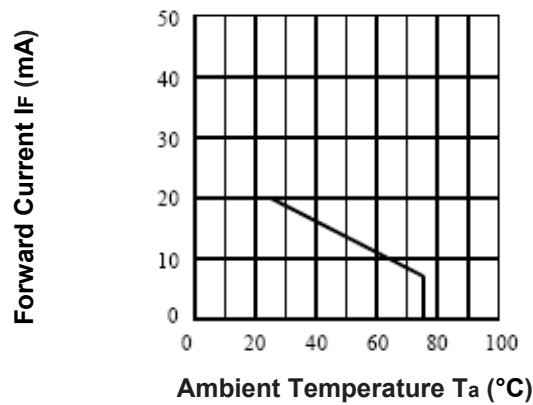
Spectrum Distribution



Forward Current vs. Forward Voltage



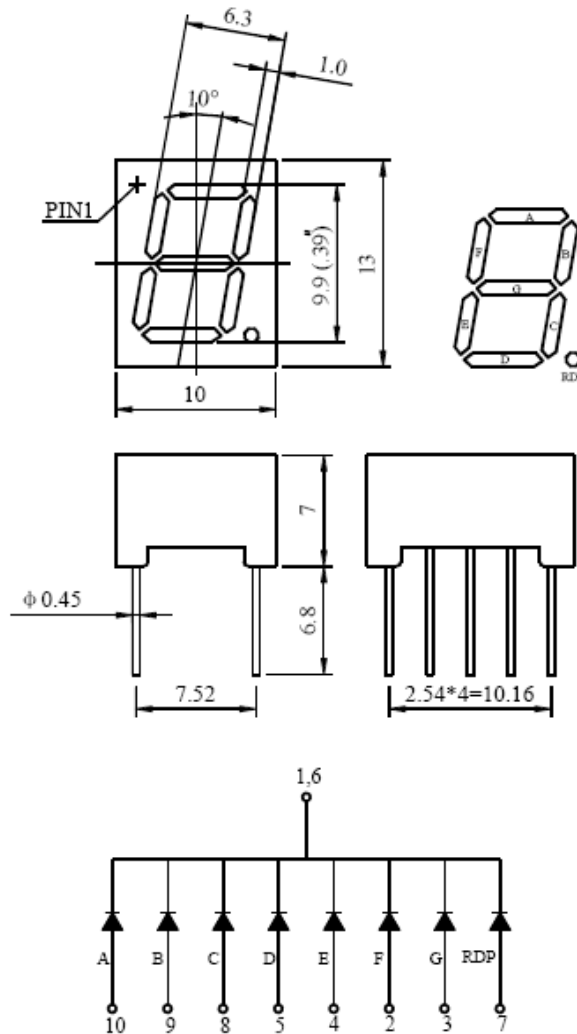
Forward Current vs. Ambient Temperature



# 0.39" Single Digit Displays

## TDH-D2SV-3911B

### Package Dimensions (In mm)



**Note:** All dimensions are in millimeters, and tolerance is 0.25mm without special declared.

### Packing Quantity Specification

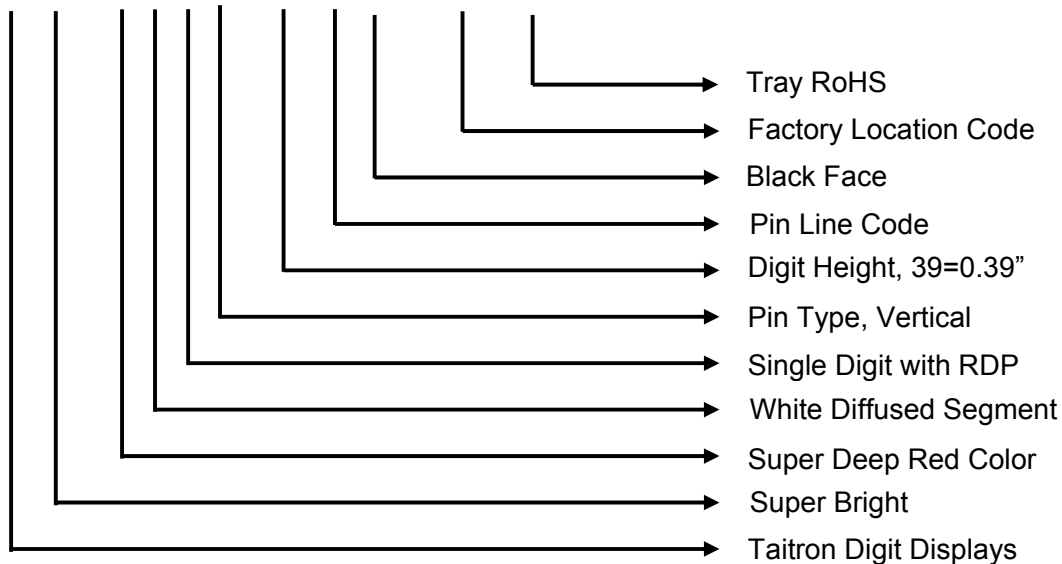
Packing Type	PCS per Tray	PCS per Box
Tray (pcs)	361	1,805

# 0.39" Single Digit Displays

## TDH-D2SV-3911B

### Ordering Information

TD H - D 2 S V - 39 11 B - XX - YL



### How to contact us

#### US HEADQUARTERS

28040 WEST HARRISON PARKWAY, VALENCIA, CA 91355-4162

Tel: (800) TAITRON (800) 824-8766 (661) 257-6060

Fax: (800) TAITFAX (800) 824-8329 (661) 257-6415

Email: [taitron@taitroncomponents.com](mailto:taitron@taitroncomponents.com)

Http://[www.taitroncomponents.com](http://www.taitroncomponents.com)

#### TAITRON COMPONENTS MEXICO, S.A .DE C.V.

BOULEVARD CENTRAL 5000 INTERIOR 5 PARQUE INDUSTRIAL ATITALAQUIA, HIDALGO

C.P. 42970 MEXICO

Tel: +52-55-5560-1519

Fax: +52-55-5560-2190

#### TAITRON COMPONETS INCORPORATED E REPRESENTAÇÕES DO BRASIL LTDA

RUA DOMINGOS DE MORAIS, 2777, 2.ANDAR, SALA 24 SAÚDE - SÃO PAULO-SP 04035-001

BRAZIL

Tel: +55-11-5574-7949

Fax: +55-11-5572-0052

#### TAITRON COMPONETS INCORPORATED, SHANGHAI REPRESENTATIVE OFFICE

METROBANK PLAZA, 1160 WEST YAN' AN ROAD, SUITE 1503, SHANGHAI, 200052, CHINA

Tel: +86-21-5424-9942

Fax: +86-21-5424-9931