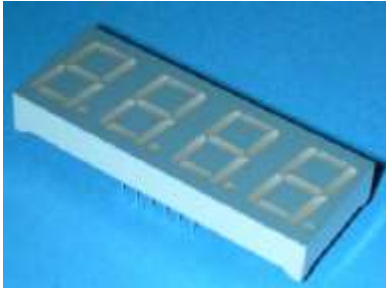


**0.56" Quadruple Digit Displays**

**Features**

- Industrial standard size.
- Low power consumption.
- Categorized for luminous intensity.
- RoHS compliance.



**Q56H2**



**Descriptions**

- The series is a 0.56" height seven segment quadruple display designed for viewing distances up to 7 meters.
- These displays provide excellent reliability in bright ambient light.
- These devices are made with white segment and gray surface.

**Applications**

- Audio equipment
- Instrument panels
- Digital read out display

**Device Selection Guide**

Part No.	Chip		Face Color
	Material	Emitted Color	
TDH-Q2QH-5626AA4	AllnGaP	Super Red	Gray

# 0.56" Quadruple Digit Displays

## TDH-Q2QH-5626AA4

### Absolute Maximum Ratings (Ta=25°C)

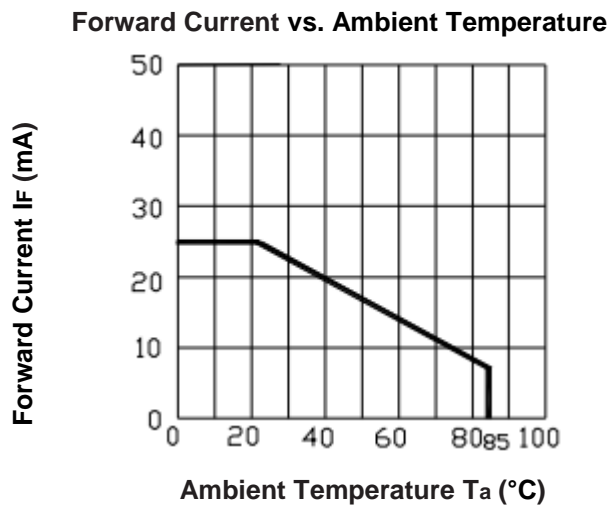
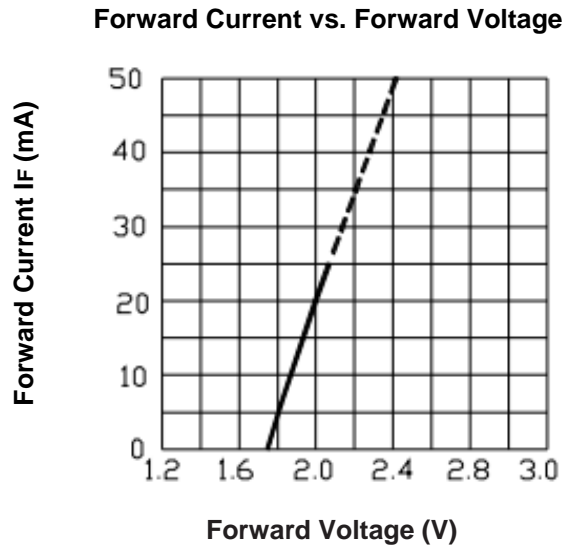
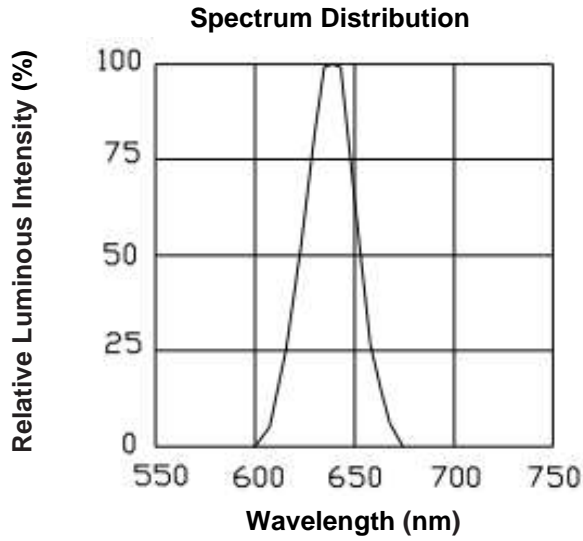
Parameter	Symbol	Value	Unit
Reverse Voltage	<b>VR</b>	5	V
Forward Current	<b>IF</b>	25	mA
Peak Forward Current (Duty 1/10@1KHz)	<b>IFP</b>	160	mA
Power Dissipation	<b>Pd</b>	60	mW
Electrostatic Discharge	<b>ESD</b>	2000	V
Operating Temperature	<b>Topr</b>	-40 ~ +85	°C
Storage Temperature	<b>Tstg</b>	-40 ~ +100	°C
Soldering Temperature (Note.1)	<b>Tsol</b>	260 ±5	°C

**Note 1:** Soldering time ≤ 5 seconds

### Electro-Optical Characteristics (Ta=25°C)

Parameter		Symbol	Min.	Typ.	Max.	Unit	Condition
Luminous Intensity	Per segment	<b>Iv</b>	----	4.5	----	mcd	IF =2mA
			11.0	24.0	----	mcd	IF =10mA
	Per decimal point		----	1.4	----	mcd	IF =2mA
			2.8	6.0	----	mcd	IF =10mA
Peak wavelength		<b>λp</b>	----	632	----	nm	IF =20mA
Dominant wavelength		<b>λd</b>	----	624	----	nm	
Spectrum Radiation Bandwidth		<b>Δλ</b>	----	20	----	nm	
Forward Voltage		<b>VF</b>	----	2.0	2.4	V	
Reverse Current		<b>IR</b>	----	----	100	μA	VR=5V

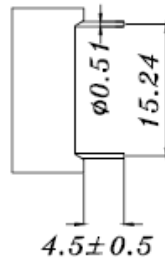
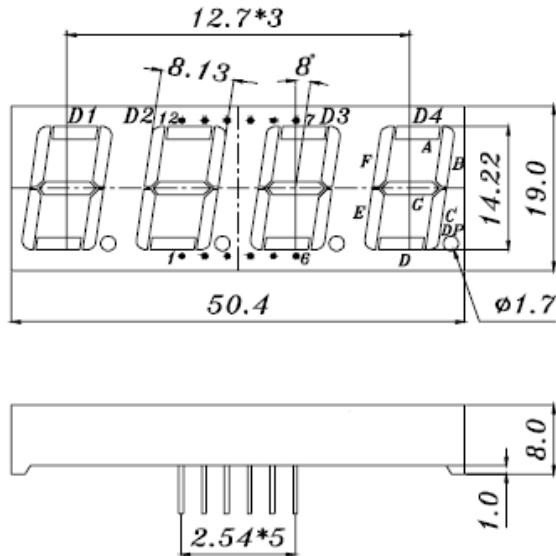
### Typical Electro-Optical Characteristics Curves (Ta=25°C)



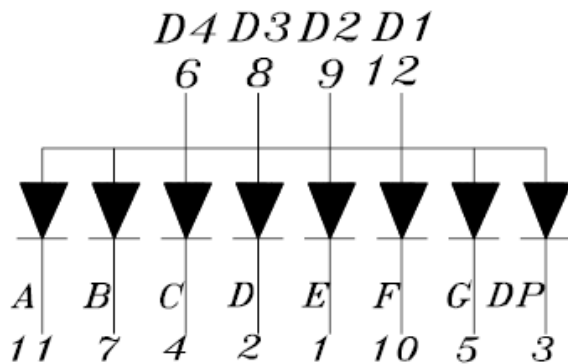
# 0.56" Quadruple Digit Displays

## TDH-Q2QH-5626AA4

### Package Dimensions (In mm)



- COMMON ANODE*
1. CATHODE E
  2. CATHODE D
  3. CATHODE DP
  4. CATHODE C
  5. CATHODE G
  6. COMMON ANODE D4
  7. CATHODE B
  8. COMMON ANODE D3
  9. COMMON ANODE D2
  10. CATHODE F
  11. CATHODE A
  12. COMMON ANODE D1



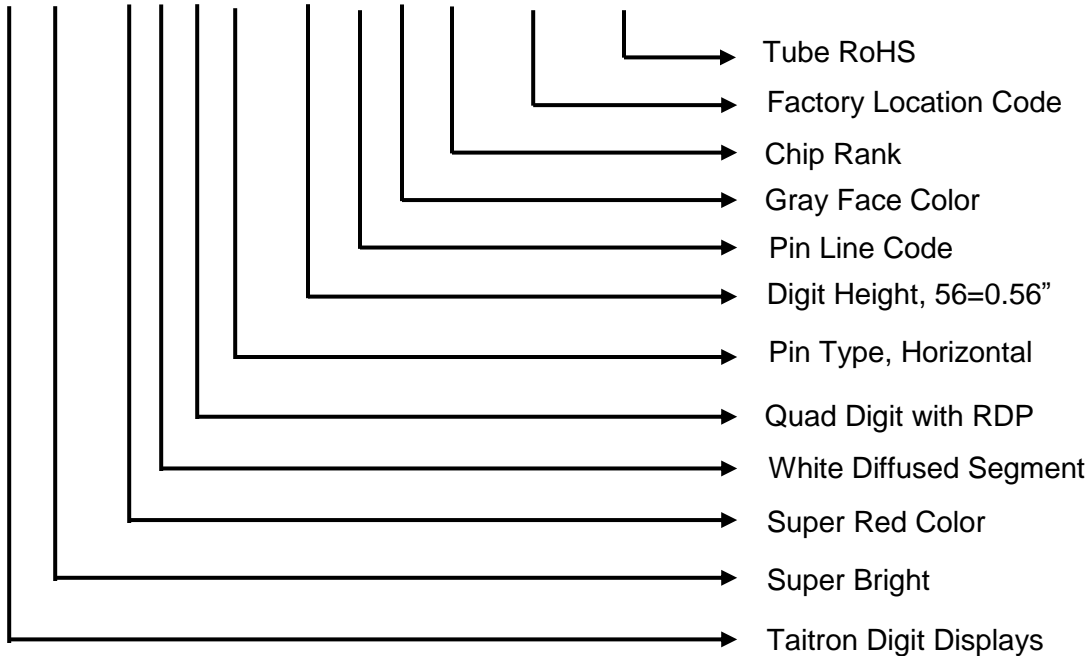
**Note:** All dimensions are in millimeters, and tolerance is 0.25mm without special declared.

### Packing Quantity Specification

Packing Type	PCS per Tube
Tube	10

### Ordering Information

TD H - Q 2 Q H - 56 26 A A4 - 92 - TU

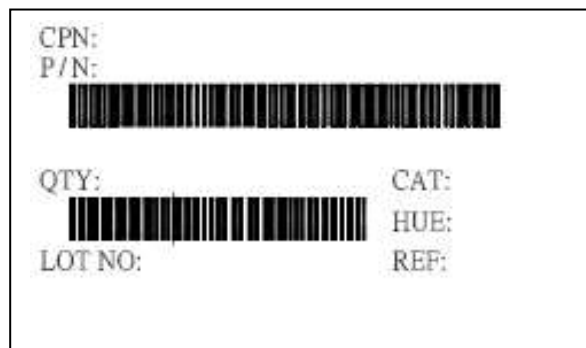


### Label Explanation

**CAT:** Ranks

**HUE:** Dominant Wavelength Rank

**REF:** Reference



### How to contact us

#### **US HEADQUARTERS**

28040 WEST HARRISON PARKWAY, VALENCIA, CA 91355-4162

Tel: (800)-TAITRON (800)-824-8766 (661)-257-6060

Fax: (800)-TAITFAX (800)-824-8329 (661)-257-6415

Email: [taitron@taitroncomponents.com](mailto:taitron@taitroncomponents.com)

Http://[www.taitroncomponents.com](http://www.taitroncomponents.com)

#### **TAITRON COMPONENTS INCORPORATED TAIWAN, TAIPEI**

6F., No.190, Sec. 2, Zhongxing Rd., Xindian Dist., New Taipei City 23146, Taiwan R.O.C.

Tel: 886-2-2913-6238

Fax: 886-2-2913-6239

#### **TAITRON COMPONENT TECHNOLOGY, SHANGHAI CORPORATION**

METROBANK PLAZA, 1160 WEST YAN'AN ROAD, SUITE 1503, SHANGHAI, 200052, CHINA

Tel: +86-21-5424-9942

Fax: +86-21-2302-5027