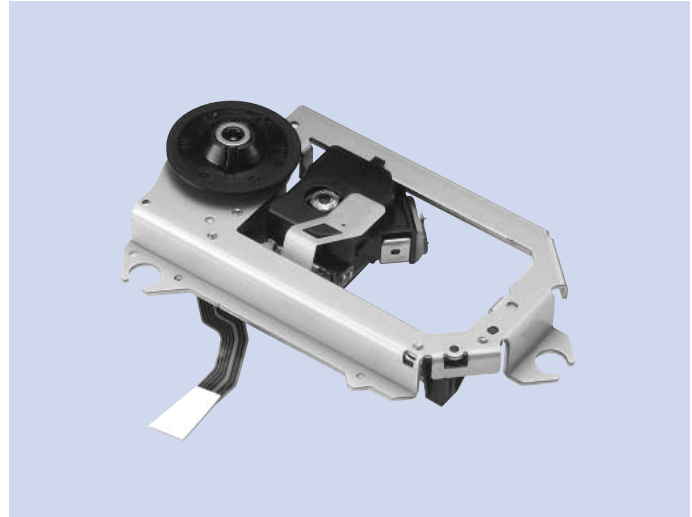


Traverse Mechanism TDP022W

FEATURES

1. Optical mechanism for DVD.
2. Compatible with DVD, CD, VCD.



USES

DVD Video Player.

SPECIFICATIONS

Optical Pick up : equipped with PVR-202W

●OPTICAL SPECIFICATIONS

Item	Specification
Objective Lends	Numerical Aperture CD : 0.47 DVD : 0.60
	Working Distance CD : 1.34mm DVD : 1.71mm
Laser Diode	Laser Wave Length CD : 645~665nm(DVD) DVD : 775~795nm(CD)
Servo Error Detection Method	Focus Error CD : Astigmatism method DVD : Astigmatism method
	Tracking Error CD : 3 - spot method DVD : Differential Phase Detection method

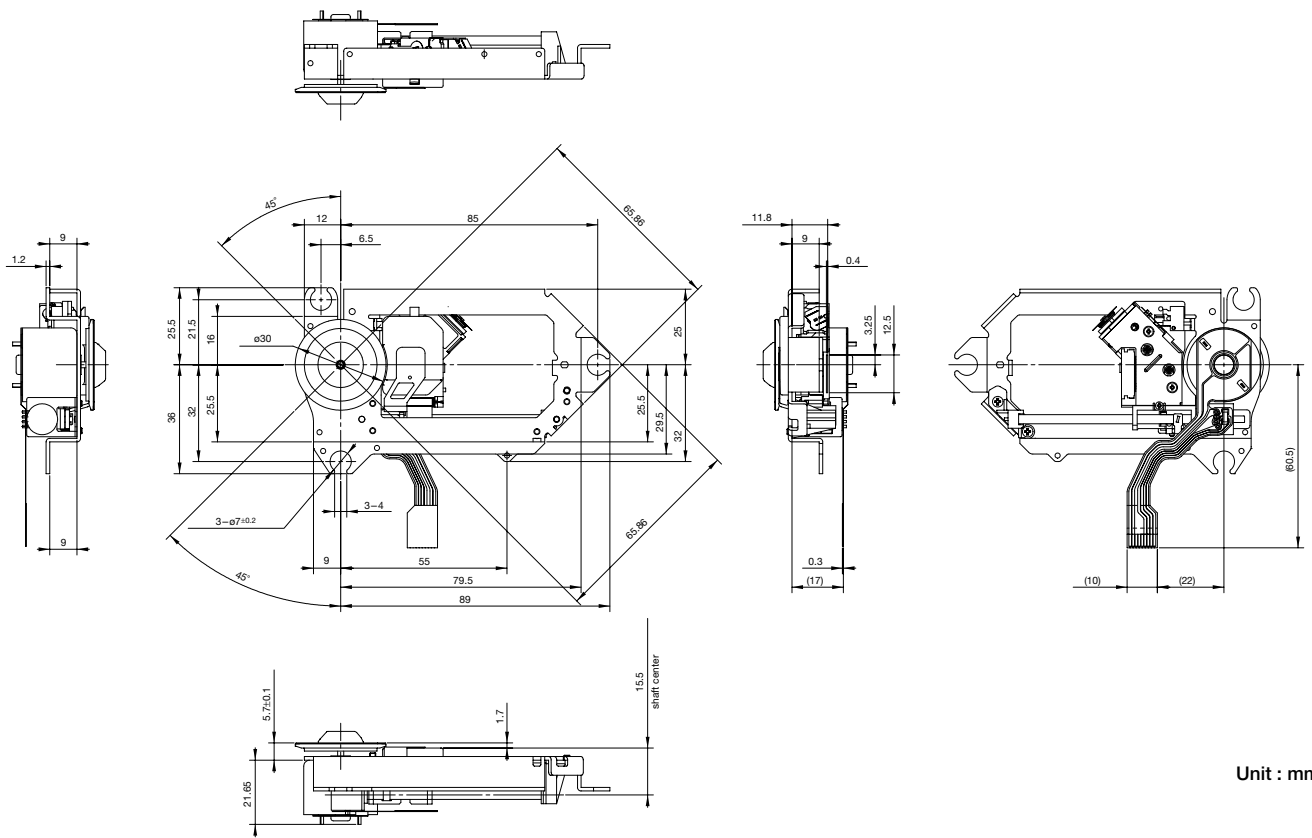
●MECHANICAL SPECIFICATIONS

Item	Specification
Mass	About 100g
Dimensions	101(D)× 61.5(W)× 30.75(H)mm
Movable Distance of the Actuator	Focus Axis : ±0.7mm(CD) or more ±0.5mm(DVD) or more
	Tracking Axis : ±0.4mm or more

●ELECTRICAL SPECIFICATIONS

Item	Specification
2-Axis Actuator	Resonant Frequency FCS : 43Hz TRK : 46Hz
	DC Sensitivity FCS : 1.0mm/V TRK : 0.64mm/V
	AC Sensitivity FCS : 40μm/V TRK : 28μm/V

DIMENSIONS



Unit : mm