

High Intensity Red Low Current Seven Segment Display

Description

This series defines a new standard for Low Current Displays. It is a single digit 7-Segment LED display utilizing AllnGaP technology in color red.

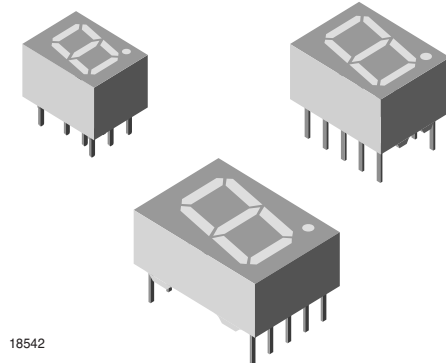
The supreme light intensity allows applications under direct sunlight or "black front" designs by using tinted filter glass in front of the display.

Typical 1500 μcd at 1.0 mA is Best in Class Performance for applications with very limited power supply. The maximum forward current of 10 mA is allowed for an ambient temperature range of - 40° to +85° C without current derating.

Crosstalk between segments is possible at drive currents above 5 mA per segment. Therefore it is recommend to apply more than 5 mA only under direct sunlight or with tinted filter glass.

Features

- 1500 μcd typical at 1.0 mA
- Very low power consumption
- Wide viewing angle
- Grey package surface
- Light intensity categorized at $I_F = 1.0\text{mA}$



Applications

Battery driven instruments
 Telecom devices
 Home appliances
 Instrumentation
 POS Terminals

Parts Table

Part	Color, Luminous Intensity	Circuitry
TDSR0750	High intensity low current red	Common anode
TDSR0760	High intensity low current red	Common cathode
TDSR1050	High intensity low current red	Common anode
TDSR1060	High intensity low current red	Common cathode
TDSR1350	High intensity low current red	Common anode
TDSR1360	High intensity low current red	Common cathode

Absolute Maximum Ratings

$T_{\text{amb}} = 25^\circ\text{C}$, unless otherwise specified

TDSR0750/0760 , TDSR1050/1060 , TDSR1350/1360

Parameter	Test condition	Symbol	Value	Unit
Reverse voltage per segment		V_R	5	V
DC forward current per segment		I_F	10	mA
Peak forward current per segment	$t_p \leq 10 \mu\text{s}$, duty cycle 1/10	I_{FM}	50	mA
Power dissipation	$T_{\text{amb}} \leq 85^\circ\text{C}$	P_V	185	mW

Parameter	Test condition	Symbol	Value	Unit
Junction temperature		T_j	105	°C
Operating temperature range		T_{amb}	- 40 to + 85	°C
Storage temperature range		T_{stg}	- 40 to + 85	°C
Soldering temperature	$t \leq 3$ sec, 2mm below seating plane	T_{sd}	260	°C
Thermal resistance LED junction/ambient		R_{thJA}	100	K/W

Optical and Electrical Characteristics

$T_{amb} = 25$ °C, unless otherwise specified

Red

Parameter	Test condition	Symbol	Min	Typ.	Max	Unit
TDSR750, TDSR760						
Luminous intensity per segment (digit average)	$I_F = 1$ mA	I_V	180		2200	μ cd
Dominant wavelength	$I_F = 1$ mA	λ_d		640		nm
Peak wavelength	$I_F = 1$ mA	λ_p		650		nm
Forward voltage per segment or DP	$I_F = 1$ mA	V_F		1.8	2.4	V
Reverse voltage per segment or DP	$V_R = 6$ V	I_R		10		μ A
TDSR1050, TDSR1060						
Luminous intensity per segment (digit average)	$I_F = 1$ mA	I_V	280		3600	μ cd
Dominant wavelength	$I_F = 1$ mA	λ_d		640		nm
Peak wavelength	$I_F = 1$ mA	λ_p		650		nm
Forward voltage per segment or DP	$I_F = 1$ mA	V_F		1.8	2.4	V
Reverse voltage per segment or DP	$V_R = 6$ V	I_R		10		μ A
TDSR1350, TDSR1360						
Luminous intensity per segment (digit average)	$I_F = 1$ mA	I_V	280		3600	μ cd
Dominant wavelength	$I_F = 1$ mA	λ_d		640		nm
Peak wavelength	$I_F = 1$ mA	λ_p		650		nm
Forward voltage per segment or DP	$I_F = 1$ mA	V_F		1.8	2.4	V
Reverse voltage per segment or DP	$V_R = 6$ V	I_R		10		μ A

Typical Characteristics ($T_{amb} = 25\text{ }^{\circ}\text{C}$ unless otherwise specified)

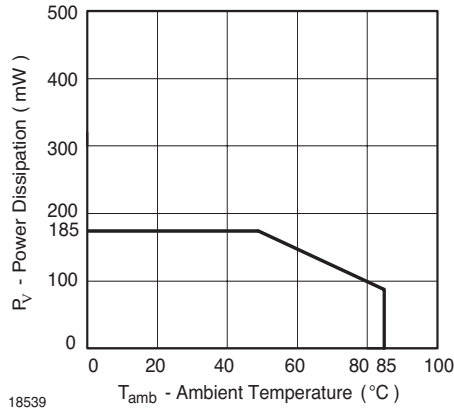


Figure 1. Power Dissipation vs. Ambient Temperature

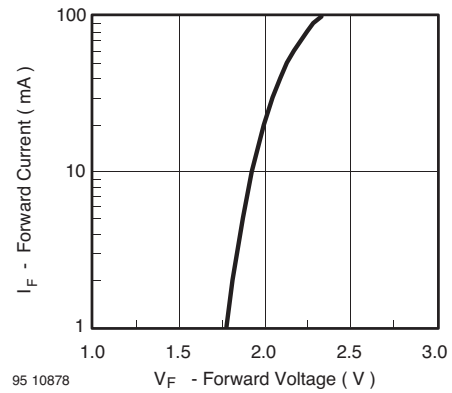


Figure 4. Forward Current vs. Forward Voltage

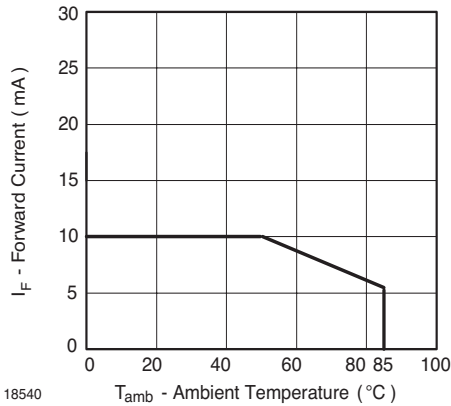


Figure 2. Forward Current vs. Ambient Temperature

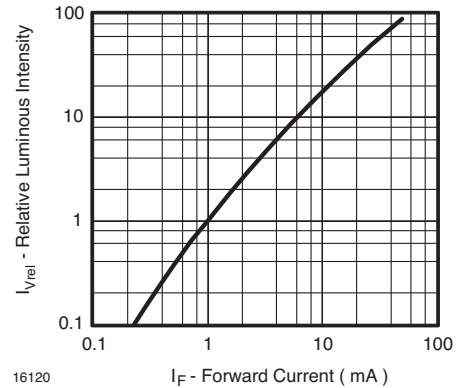


Figure 5. Relative Luminous Intensity vs. Forward Current

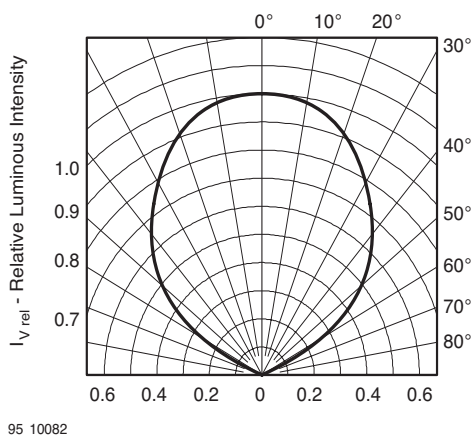


Figure 3. Rel. Luminous Intensity vs. Angular Displacement

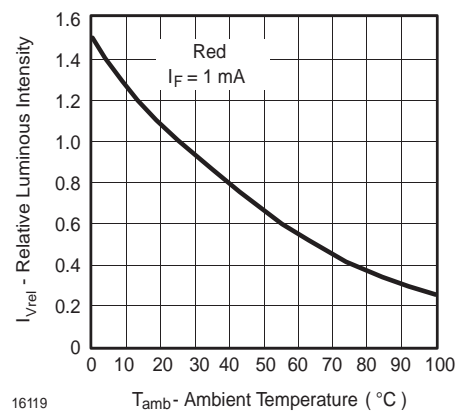
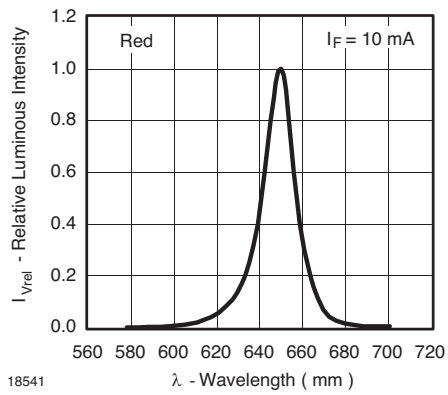


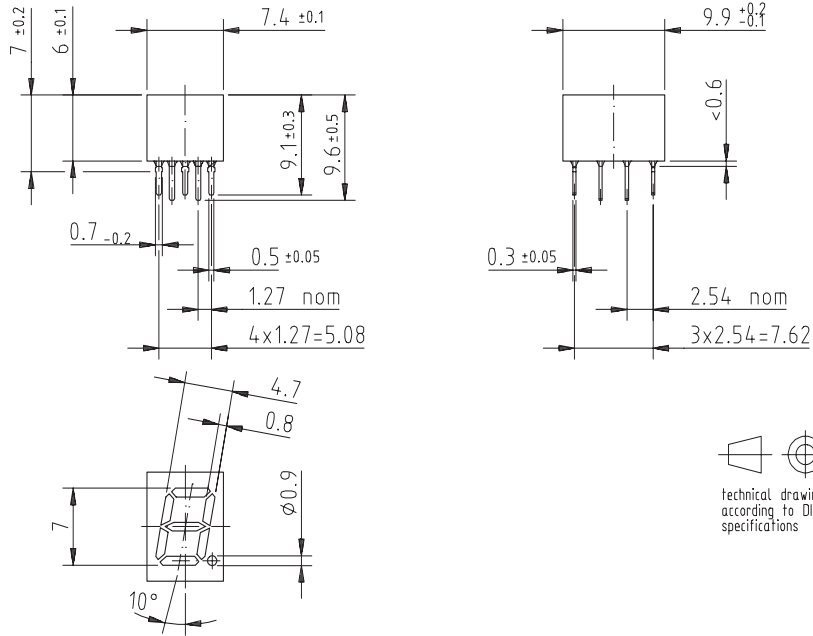
Figure 6. Rel. Luminous Intensity vs. Ambient Temperature



18541

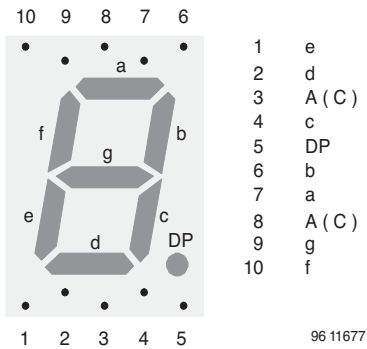
Figure 7. Rel. Luminous Intensity vs. Ambient Temperature

Dimensions in mm TDSR07..



95 11342

Pin Connections

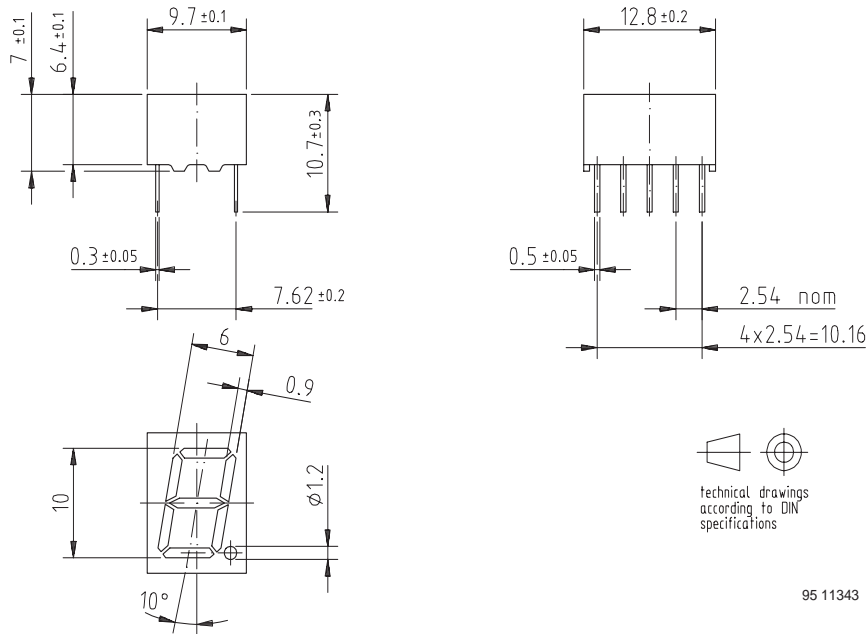


TDSR07../10../13..

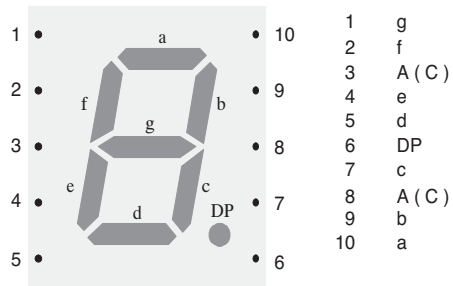


Vishay Semiconductors

Dimensions in mm TDSR10..

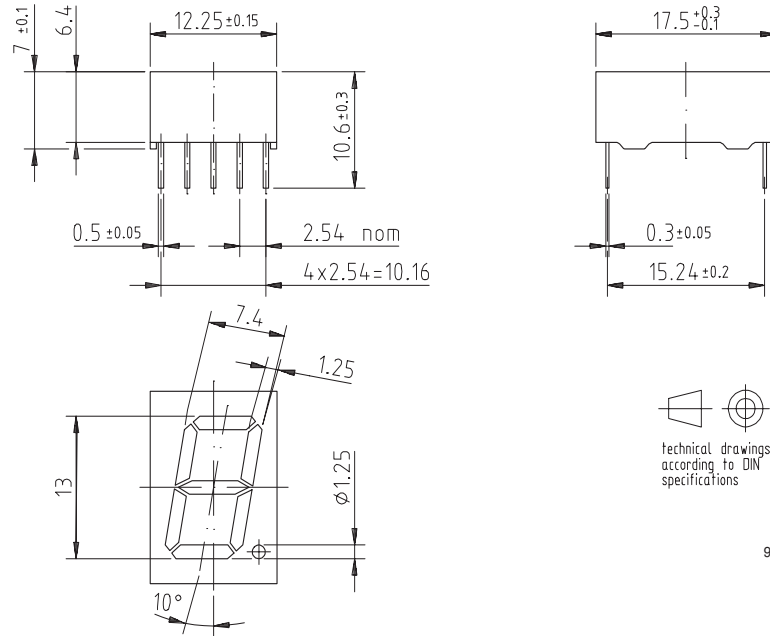


Pin Connections



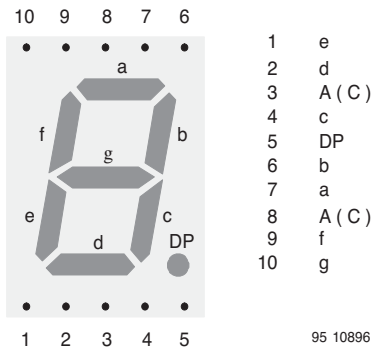
96 11678

Dimensions in mm TDSR13..



95 11344

Pin Connections



Vishay Semiconductors

Ozone Depleting Substances Policy Statement

It is the policy of **Vishay Semiconductor GmbH** to

1. Meet all present and future national and international statutory requirements.
2. Regularly and continuously improve the performance of our products, processes, distribution and operating systems with respect to their impact on the health and safety of our employees and the public, as well as their impact on the environment.

It is particular concern to control or eliminate releases of those substances into the atmosphere which are known as ozone depleting substances (ODSs).

The Montreal Protocol (1987) and its London Amendments (1990) intend to severely restrict the use of ODSs and forbid their use within the next ten years. Various national and international initiatives are pressing for an earlier ban on these substances.

Vishay Semiconductor GmbH has been able to use its policy of continuous improvements to eliminate the use of ODSs listed in the following documents.

1. Annex A, B and list of transitional substances of the Montreal Protocol and the London Amendments respectively
2. Class I and II ozone depleting substances in the Clean Air Act Amendments of 1990 by the Environmental Protection Agency (EPA) in the USA
3. Council Decision 88/540/EEC and 91/690/EEC Annex A, B and C (transitional substances) respectively.

Vishay Semiconductor GmbH can certify that our semiconductors are not manufactured with ozone depleting substances and do not contain such substances.

**We reserve the right to make changes to improve technical design
and may do so without further notice.**

Parameters can vary in different applications. All operating parameters must be validated for each customer application by the customer. Should the buyer use Vishay Semiconductors products for any unintended or unauthorized application, the buyer shall indemnify Vishay Semiconductors against all claims, costs, damages, and expenses, arising out of, directly or indirectly, any claim of personal damage, injury or death associated with such unintended or unauthorized use.

Vishay Semiconductor GmbH, P.O.B. 3535, D-74025 Heilbronn, Germany
Telephone: 49 (0)7131 67 2831, Fax number: 49 (0)7131 67 2423