

# DATA SHEET

## **TEA1118; TEA1118A** Versatile cordless transmission circuit

Product specification  
Supersedes data of 1996 Nov 26  
File under Integrated Circuits, IC03

1997 Jul 14

## Versatile cordless transmission circuit

## TEA1118; TEA1118A

## FEATURES

- Low DC line voltage; operates down to 1.6 V (excluding polarity guard)
- Voltage regulator with adjustable DC voltage
- Provides a supply for external circuits
- Symmetrical high impedance transmit inputs (62.5 k $\Omega$ ) with large signals handling capabilities [up to 1 V (RMS value) with less than 2% THD]
- Receive amplifier for dynamic, magnetic or piezoelectric earpieces
- AGC line loss compensation for transmit and earpiece amplifiers
- DTMF input with confidence tone (TEA1118A only)
- MUTE input for pulse or DTMF dialling (TEA1118A only)
- Transmit mute function, also enabling the DTMF input (TEA1118A only).

## GENERAL DESCRIPTION

The TEA1118 and TEA1118A are bipolar integrated circuits that perform all speech and line interface functions required in cordless telephone base stations. The ICs operate at a line voltage down to 1.6 V DC (with reduced performance) to facilitate the use of telephone sets connected in parallel.

The TEA1118A offers in addition to the TEA1118 electronic switching between speech and dialling. Moreover the transmit amplifier can be disabled during speech condition by means of a transmit mute function.

All statements and values refer to all versions unless otherwise specified.

## APPLICATIONS

- Cordless telephone base stations
- Fax machines
- Answering machines.

## QUICK REFERENCE DATA

$I_{line} = 15$  mA;  $V_{EE} = 0$  V;  $R_{SLPE} = 20$   $\Omega$ ; AGC pin connected to  $V_{EE}$ ;  $Z_{line} = 600$   $\Omega$ ;  $f = 1$  kHz;  $T_{amb} = 25$   $^{\circ}$ C; unless otherwise specified.

SYMBOL	PARAMETER	CONDITIONS	MIN.	TYP.	MAX.	UNIT
$I_{line}$	line current operating range	normal operation	11	–	140	mA
		with reduced performance	1	–	11	mA
$V_{LN}$	DC line voltage		3.35	3.65	3.95	V
$I_{CC}$	internal current consumption	$V_{CC} = 2.9$ V	–	1.15	1.4	mA
$V_{CC}$	supply voltage for peripherals	$I_P = 0$ mA	–	2.9	–	V
$G_{vtrx}$	typical voltage gain range					
	transmit amplifier (TEA1118A only)	$V_{TX} = 200$ mV (RMS)	–	–	11.3	dB
	transmit amplifier (TEA1118 only)	$V_{TX} = 200$ mV (RMS)	5.3	–	11.3	dB
	receive amplifier	$V_{IR} = 4$ mV (RMS)	19	–	31	dB
$\Delta G_{vtrx}$	gain control range for transmit and receive amplifiers with respect to $I_{line} = 15$ mA	$I_{line} = 75$ mA	–	5.8	–	dB

Versatile cordless transmission circuit

TEA1118; TEA1118A

ORDERING INFORMATION

TYPE NUMBER	PACKAGE		
	NAME	DESCRIPTION	VERSION
TEA1118M	SSOP16	plastic shrink small outline package; 16 leads; body width 4.4 mm	SOT369-1
TEA1118T	SO14	plastic small outline package; 14 leads; body width 3.9 mm	SOT108-1
TEA1118AM	SSOP16	plastic shrink small outline package; 16 leads; body width 4.4 mm	SOT369-1
TEA1118AT	SO14	plastic small outline package; 14 leads; body width 3.9 mm	SOT108-1

BLOCK DIAGRAMS

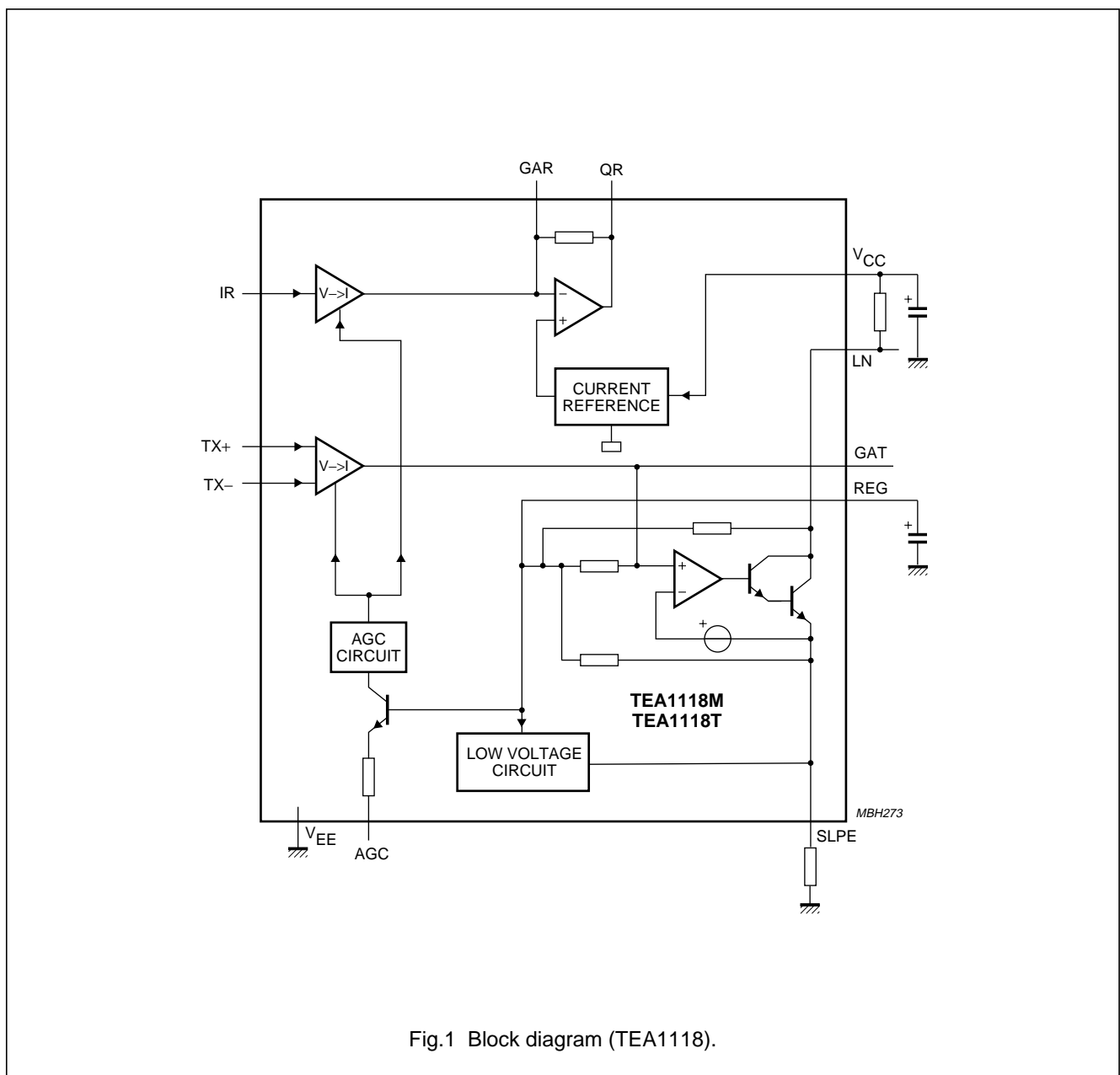


Fig.1 Block diagram (TEA1118).

Versatile cordless transmission circuit

TEA1118; TEA1118A

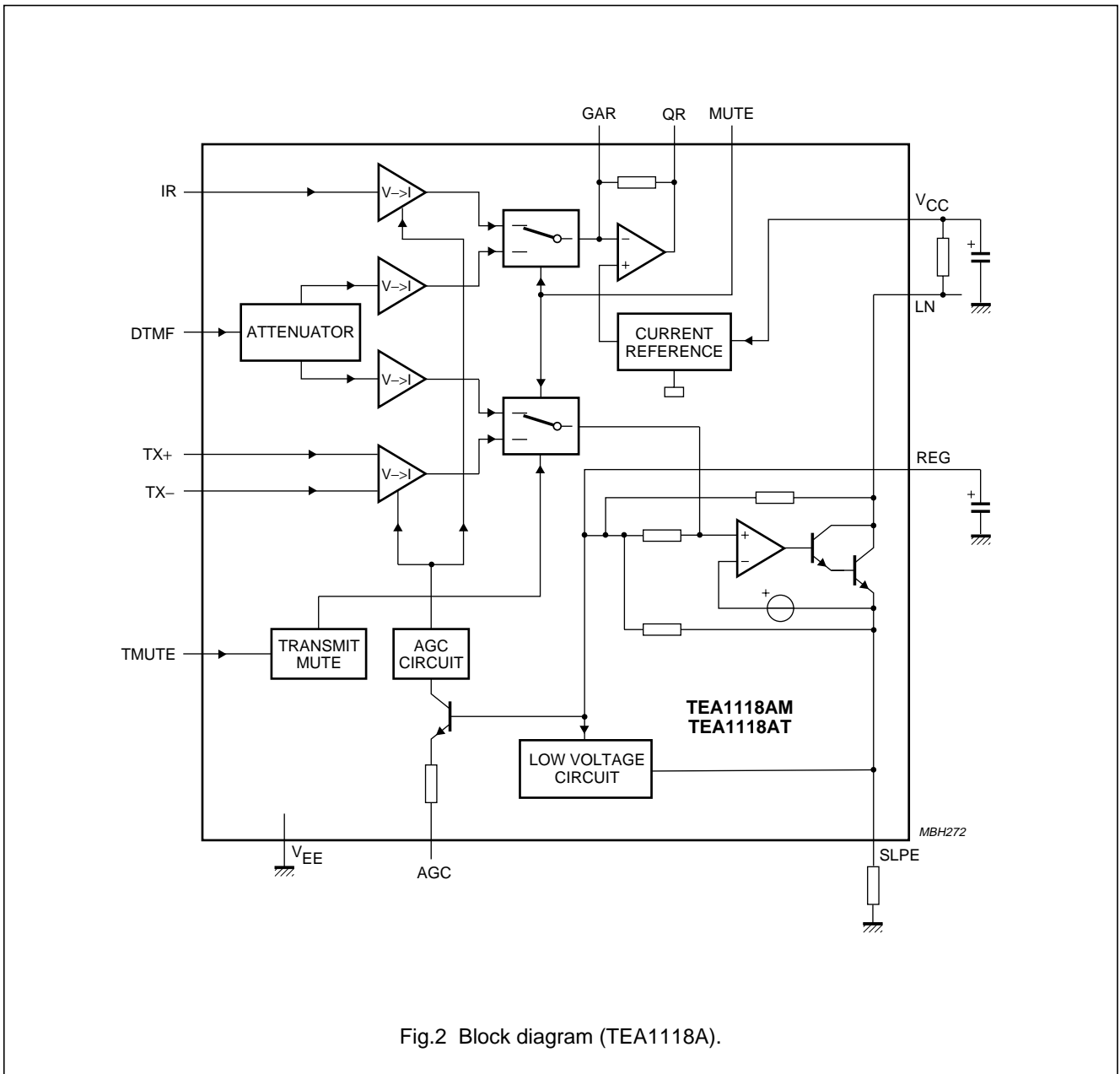


Fig.2 Block diagram (TEA1118A).

## Versatile cordless transmisssion circuit

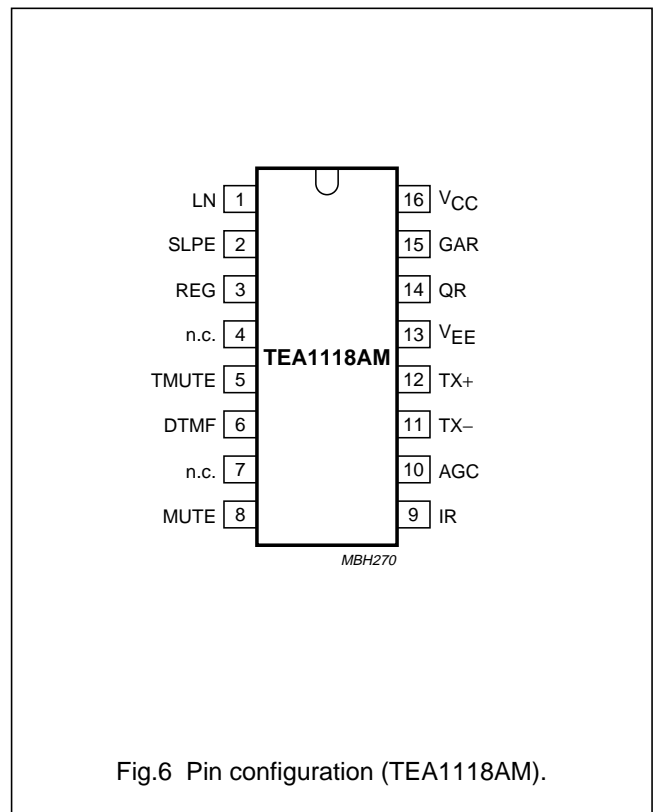
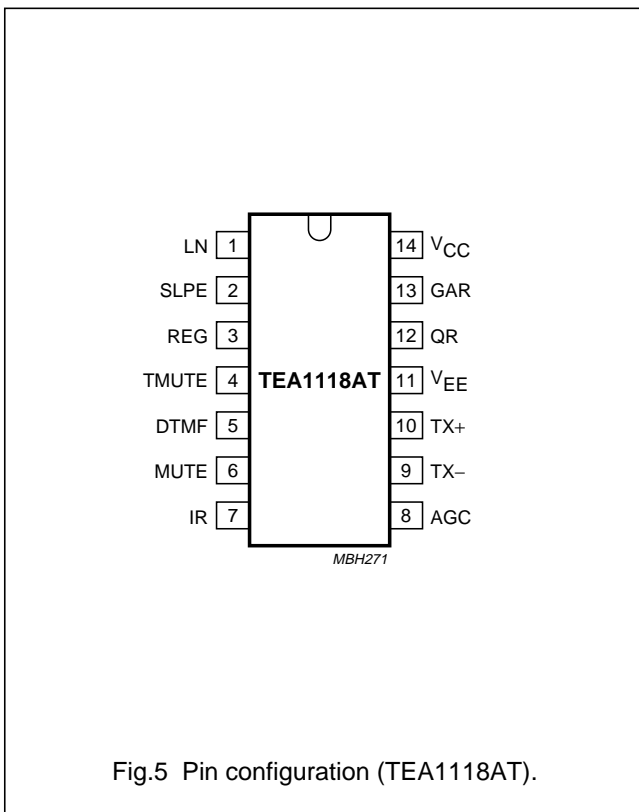
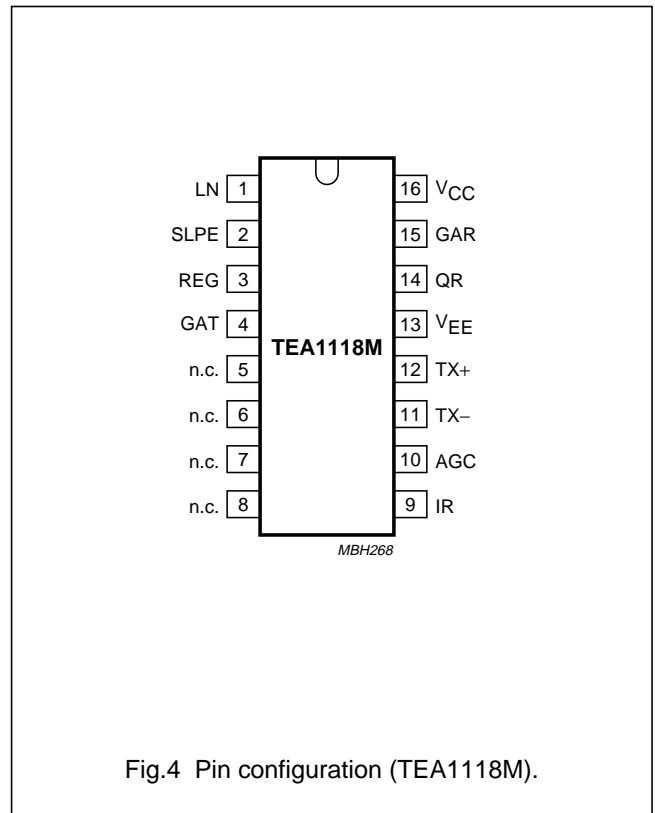
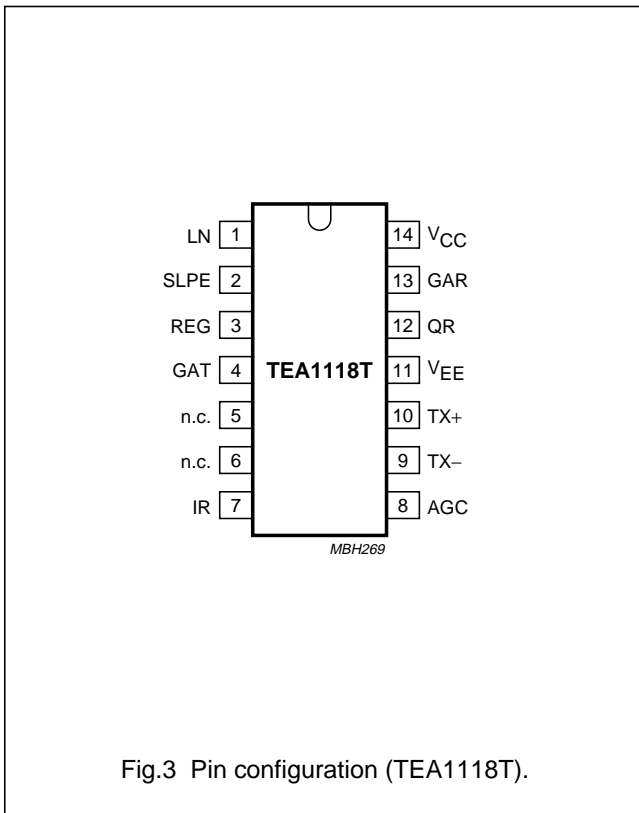
## TEA1118; TEA1118A

## PINNING

SYMBOL	TEA1118		TEA1118A		DESCRIPTION
	SO14	SSOP16	SO14	SSOP16	
LN	1	1	1	1	positive line terminal
SLPE	2	2	2	2	slope (DC resistance) adjustment
REG	3	3	3	3	line voltage regulator decoupling
GAT	4	4	–	–	transmit gain adjustment
TMUTE	–	–	4	5	transmit mute input
DTMF	–	–	5	6	dual-tone multi-frequency input
MUTE	–	–	6	8	mute input to select speech or dialling mode
IR	7	9	7	9	receive amplifier input
AGC	8	10	8	10	automatic gain control/line loss compensation
TX–	9	11	9	11	inverting transmit amplifier input
TX+	10	12	10	12	non-inverting transmit amplifier input
V <sub>EE</sub>	11	13	11	13	negative line terminal
QR	12	14	12	14	receive amplifier output
GAR	13	15	13	15	receive gain adjustment
V <sub>CC</sub>	14	16	14	16	supply voltage for speech circuit and peripherals
n.c.	5 and 6	5 to 8	–	4 and 7	not connected

Versatile cordless transmission circuit

TEA1118; TEA1118A



## Versatile cordless transmission circuit

## TEA1118; TEA1118A

**FUNCTIONAL DESCRIPTION**

All data given in this chapter are typical values, except when otherwise specified.

**Supplies (pins LN, SLPE, V<sub>CC</sub> and REG)**

The supply for the TEA1118 and TEA1118A and their peripherals is obtained from the telephone line.

The ICs generate a stabilized reference voltage ( $V_{ref}$ ) between pins LN and SLPE. This reference voltage is equal to 3.35 V, is temperature compensated and can be adjusted by means of an external resistor ( $R_{VA}$ ). It can be increased by connecting the  $R_{VA}$  resistor between pins REG and SLPE (see Fig.11), or decreased by connecting the  $R_{VA}$  resistor between pins REG and LN. The voltage at pin REG is used by the internal regulator to generate the stabilized reference voltage and is decoupled by a capacitor ( $C_{REG}$ ) which is connected to  $V_{EE}$ . This capacitor, converted into an equivalent inductance (see Section "Set impedance"), realizes the set impedance conversion from its DC value ( $R_{SLPE}$ ) to its AC value ( $R_{CC}$  in the audio-frequency range). The voltage at pin SLPE is proportional to the line current. Figure 7 illustrates the supply configuration.

The ICs regulate the line voltage at pin LN, and it can be calculated as follows:

$$V_{LN} = V_{ref} + R_{SLPE} \times I_{SLPE}$$

$$I_{SLPE} = I_{line} - I_{CC} - I_P - I^* = I_{sh}$$

where:

$I_{line}$ : line current

$I_{CC}$ : current consumption of the IC

$I_P$ : supply current for peripheral circuits

$I^*$ : current consumed between LN and  $V_{EE}$

$I_{sh}$ : the excess line current shunted to SLPE (and  $V_{EE}$ ) via LN.

The preferred value for  $R_{SLPE}$  is 20  $\Omega$ . Changing  $R_{SLPE}$  will affect more than the DC characteristics; it also influences the transmit gain and the DTMF gain (TEA1118A only), the gain control characteristics, the sidetone level and the maximum output swing on the line.

The internal circuitry of the TEA1118 and TEA1118A is supplied from pin  $V_{CC}$ . This voltage supply is derived from the line voltage by means of a resistor ( $R_{CC}$ ) and must be decoupled by a capacitor  $C_{VCC}$ . It may also be used to supply peripheral circuits such as dialling or control circuits. The  $V_{CC}$  voltage depends on the current consumed by the IC and the peripheral circuits as shown

by the formula (see also Figs 8 and 9).  $R_{CCint}$  is the internal equivalent resistance of the voltage supply point, and  $I_{rec}$  is the current consumed by the output stage of the earpiece amplifier.

$$V_{CC} = V_{CC0} - R_{CCint} \times (I_P - I_{rec})$$

$$V_{CC0} = V_{LN} - R_{CC} \times I_{CC}$$

The DC line current flowing into the set is determined by the exchange supply voltage ( $V_{exch}$ ), the feeding bridge resistance ( $R_{exch}$ ), the DC resistance of the telephone line ( $R_{line}$ ) and the reference voltage ( $V_{ref}$ ). With line currents below 7.5 mA, the internal reference voltage (generating  $V_{ref}$ ) is automatically adjusted to a lower value.

This means that more sets can operate in parallel with DC line voltages (excluding the polarity guard) down to an absolute minimum voltage of 1.6 V. At currents below 7.5 mA, the circuit has limited transmit and receive levels. This is called the low voltage area.

**Set impedance**

In the audio frequency range, the dynamic impedance is mainly determined by the  $R_{CC}$  resistor. The equivalent impedance of the circuits is illustrated in Fig.10.

**Transmit amplifier (pins TX+, TX– and GAT)**

The TEA1118 and TEA1118A have symmetrical transmit inputs. The input impedance between pins TX+ and TX– is equal to 62.5 k $\Omega$ ; the input impedance between pins TX+/TX– and  $V_{EE}$  is equal 36.5 k $\Omega$ . The voltage gain from pins TX+/TX– to pin LN is set at 11.3 dB.

Automatic gain control is provided on this amplifier for line loss compensation.

The gain of the TEA1118 can be decreased by connecting an external resistor  $R_{GAT}$  between pins GAT and REG. The adjustment range is equal to 6 dB. A capacitor  $C_{GAT}$  connected between pins GAT and REG can be used to provide a first-order low-pass filter. The cut-off frequency corresponds to the time constant  $C_{GAT} \times (R_{GATint} // R_{GAT})$ .  $R_{GATint}$  is the internal resistor which sets the gain with a typical value of 27 k $\Omega$ .

**Transmit mute (pin TMUTE; TEA1118A only)**

The transmit amplifier can be disabled by activating the transmit mute function. When TMUTE is LOW, the normal speech mode is entered, depending on the level on MUTE. When TMUTE is HIGH, the transmit amplifier inputs are disabled while the DTMF input is enabled (no confidence tone is provided). The voltage gain between LN and TX+/TX– is attenuated; the gain reduction is 80 dB.

Versatile cordless transmission circuit

TEA1118; TEA1118A

Receive amplifier (pins IR, GAR and QR)

The receive amplifier has one input (IR) and one output (QR). The input impedance between pins IR and  $V_{EE}$  is 20 k $\Omega$ . The voltage gain from pin IR to pin QR is set at 31 dB. The gain can be decreased by connecting an external resistor  $R_{GAR}$  between pins GAR and QR; the adjustment range is 12 dB. Two external capacitors  $C_{GAR}$  (connected between GAR and QR) and  $C_{GARS}$  (connected between GAR and  $V_{EE}$ ) ensure stability.

The  $C_{GAR}$  capacitor provides a first-order low-pass filter. The cut-off frequency corresponds to the time constant  $C_{GAR} \times (R_{GARint} // R_{GAR})$ .  $R_{GARint}$  is the internal resistor which sets the gain with a typical value of 100 k $\Omega$ . The condition  $C_{GARS} = 10 \times C_{GAR}$  must be fulfilled to ensure stability.

Automatic gain control is provided on this amplifier for line loss compensation.

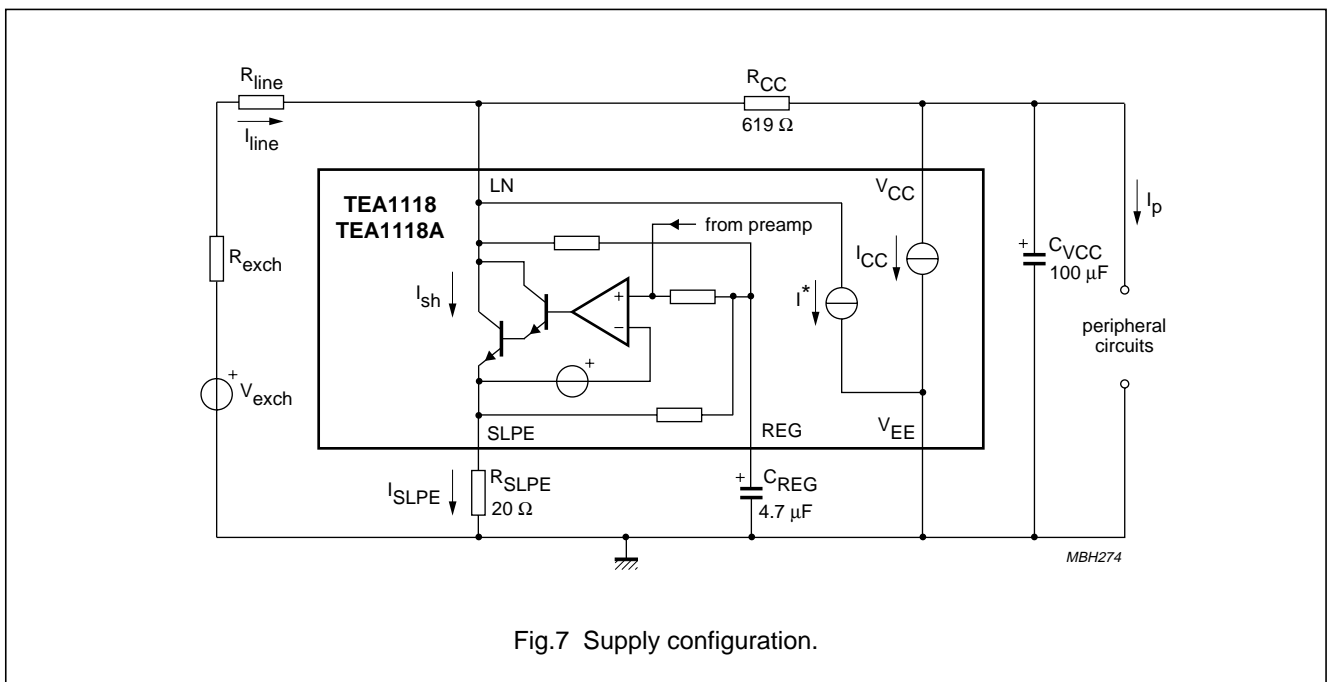
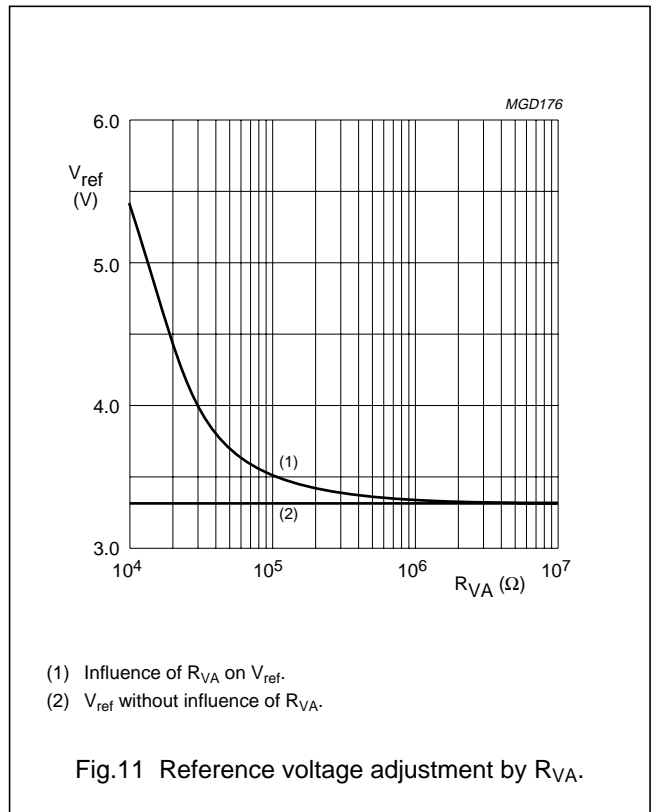
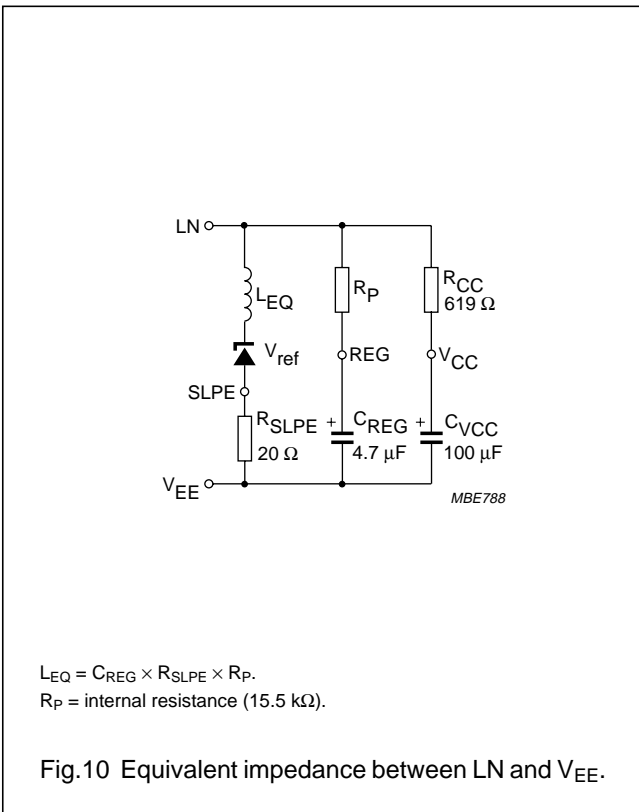
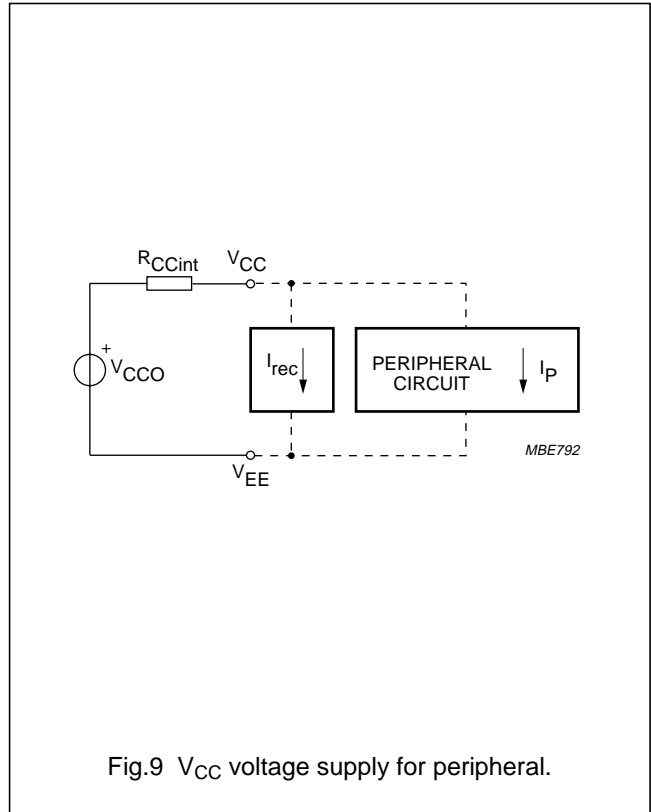
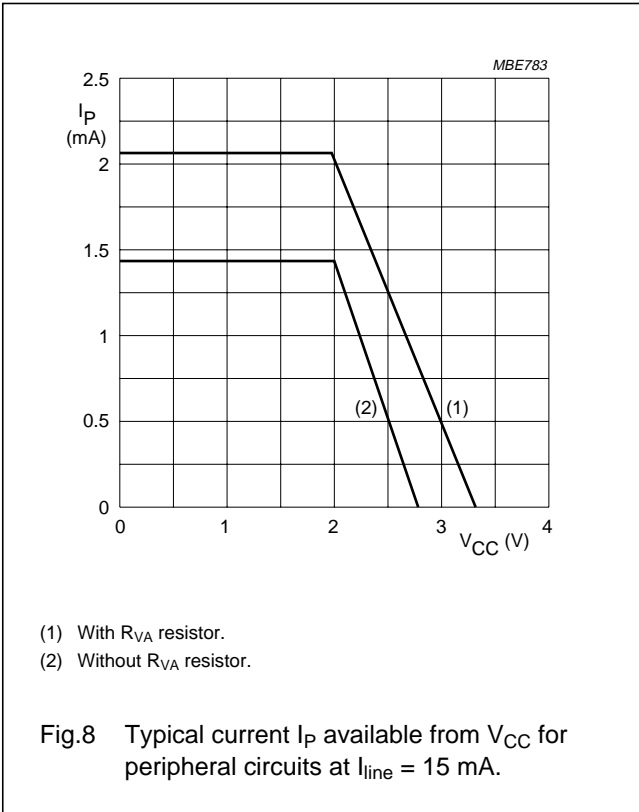


Fig.7 Supply configuration.



Versatile cordless transmission circuit

TEA1118; TEA1118A



Versatile cordless transmission circuit

TEA1118; TEA1118A

**Automatic Gain Control (pin AGC)**

The TEA1118 and TEA1118A perform automatic line loss compensation. The automatic gain control varies the gain of the transmit amplifier and the gain of the receive amplifier in accordance with the DC line current. The control range is 5.8 dB (which corresponds approximately to a line length of 5 km for a 0.5 mm diameter twisted-pair copper cable with a DC resistance of 176 Ω/km and an average attenuation of 1.2 dB/km). The ICs can be used with different configurations of feeding bridge (supply voltage and bridge resistance) by connecting an external resistor  $R_{AGC}$  between pins AGC and  $V_{EE}$ . This resistor enables the  $I_{start}$  and  $I_{stop}$  line currents to be increased (the ratio between  $I_{start}$  and  $I_{stop}$  is not affected by the resistor). The AGC function is disabled when pin AGC is left open-circuit.

**DTMF amplifier (pin DTMF; TEA1118A only)**

When the DTMF amplifier is enabled, dialling tones may be sent on line. These tones can be heard in the earpiece at a low level (confidence tone).

The TEA1118A has an asymmetrical DTMF input. The input impedance between DTMF and  $V_{EE}$  is 20 kΩ. The voltage gain from pin DTMF to pin LN is 17.4 dB.

The automatic gain control has no effect on the DTMF amplifier.

**Mute function (pin MUTE; TEA1118A only)**

The mute function performs the switching action between the speech mode and the dialling mode. When MUTE is LOW or open-circuit, the transmit and receive amplifiers inputs are enabled while the DTMF input is disabled, depending on the TMUTE level. When MUTE is HIGH, the DTMF input is enabled and the transmit and receive amplifiers inputs are disabled.

**MUTE and TMUTE levels for different modes (TEA1118A only)**

**Table 1** Required MUTE and TMUTE levels to enable the different possible modes

MODE	CHANNEL				MUTE	TMUTE
	TRANSMIT	RECEIVE	DTMF	CONFIDENCE TONE		
Speech	on	on	off	off	LOW	LOW
DTMF dialling	off	off	on	on	HIGH	X <sup>(1)</sup>
Transmit mute	off	on	on	off	LOW	HIGH

**Note**

- 1. X = don't care.

**Sidetone suppression**

The TEA1118 and TEA1118A anti-sidetone network comprising  $R_{CC}/Z_{line}$ ,  $R_{ast1}$ ,  $R_{ast2}$ ,  $R_{ast3}$ ,  $R_{SLPE}$  and  $Z_{bal}$  (see Fig.12) suppresses the transmitted signal in the earpiece. Maximum compensation is obtained when the following conditions are fulfilled:

$$R_{SLPE} \times R_{ast1} = R_{CC} \times (R_{ast2} + R_{ast3})$$

$$k = \frac{[R_{ast2} \times (R_{ast3} + R_{SLPE})]}{(R_{ast1} \times R_{SLPE})}$$

$$Z_{bal} = k \times Z_{line}$$

The scale factor k is chosen to meet the compatibility with a standard capacitor from the E6 or E12 range for  $Z_{bal}$ .

In practice,  $Z_{line}$  varies considerably with the line type and the line length. Therefore, the value chosen for  $Z_{bal}$  should be for an average line length which gives satisfactory sidetone suppression with short and long lines.

The suppression also depends on the accuracy of the match between  $Z_{bal}$  and the impedance of the average line.

The anti-sidetone network for the TEA1118 and TEA1118A (as shown in Fig.16) attenuates the receive signal from the line by 32 dB before it enters the receive amplifier.

The attenuation is almost constant over the whole audio frequency range.

A Wheatstone bridge configuration (see Fig.13) may also be used.

More information on the balancing of an anti-sidetone bridge can be obtained in our publication "Applications Handbook for Wired Telecom Systems, IC03b", order number 9397 750 00811.

Versatile cordless transmission circuit

TEA1118; TEA1118A

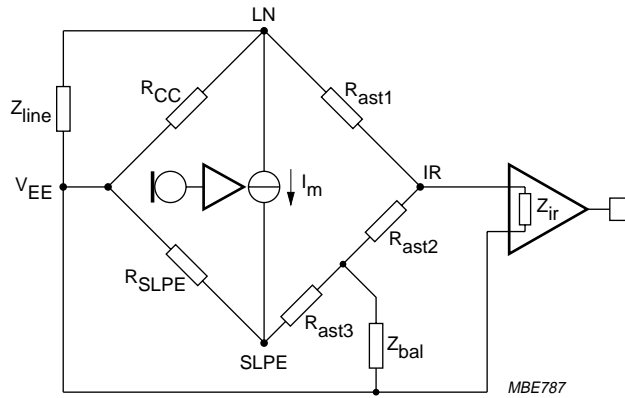


Fig.12 Equivalent circuit of TEA1118 and TEA1118A family anti-sidetone bridge.

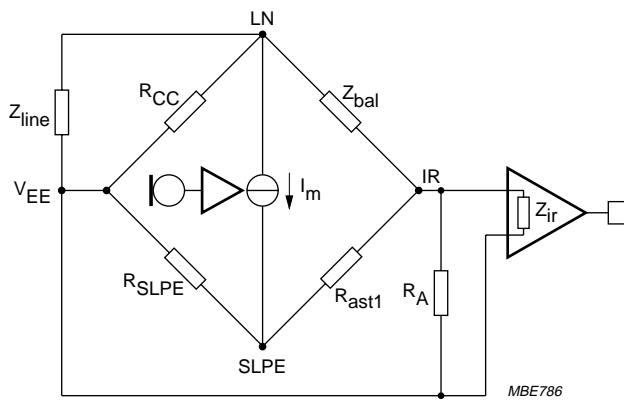


Fig.13 Equivalent circuit of an anti-sidetone network in a Wheatstone bridge configuration.

## Versatile cordless transmission circuit

## TEA1118; TEA1118A

**LIMITING VALUES**

In accordance with the Absolute Maximum Rating System (IEC 134).

SYMBOL	PARAMETER	CONDITIONS	MIN.	MAX.	UNIT
V <sub>LN</sub>	positive continuous line voltage		V <sub>EE</sub> - 0.4	12	V
	repetitive line voltage during switch-on or line interruption		V <sub>EE</sub> - 0.4	13.2	V
V <sub>n(max)</sub>	maximum voltage on all pins		V <sub>EE</sub> - 0.4	V <sub>CC</sub> + 0.4	V
I <sub>line</sub>	line current	R <sub>SLPE</sub> = 20 Ω; see Figs 14 and 15	-	140	mA
P <sub>tot</sub>	total power dissipation TEA1118T; TEA1118AT	T <sub>amb</sub> = 75 °C; see Figs 14 and 15	-	384	mW
	TEA1118M; TEA1118AM		-	312	mW
T <sub>stg</sub>	IC storage temperature		-40	+125	°C
T <sub>amb</sub>	operating ambient temperature		-25	+75	°C

**HANDLING**

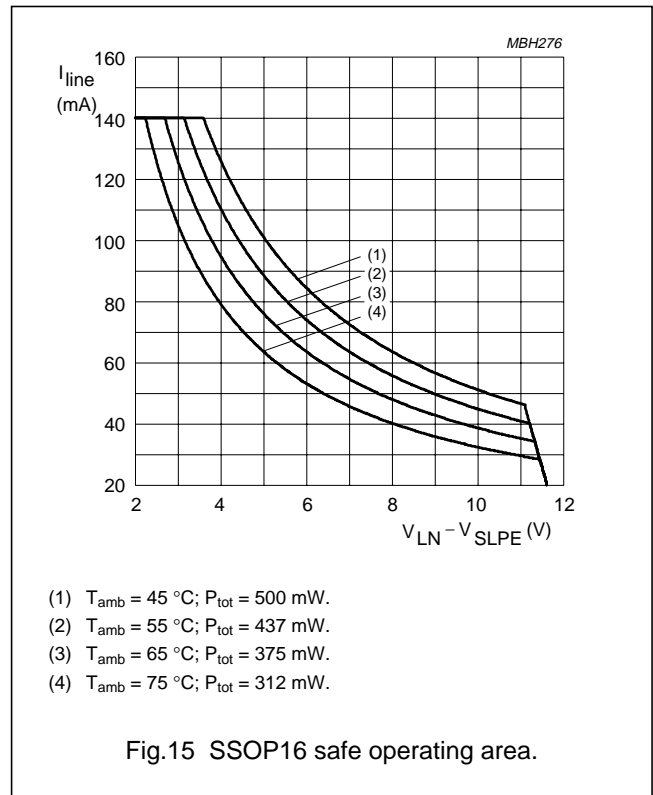
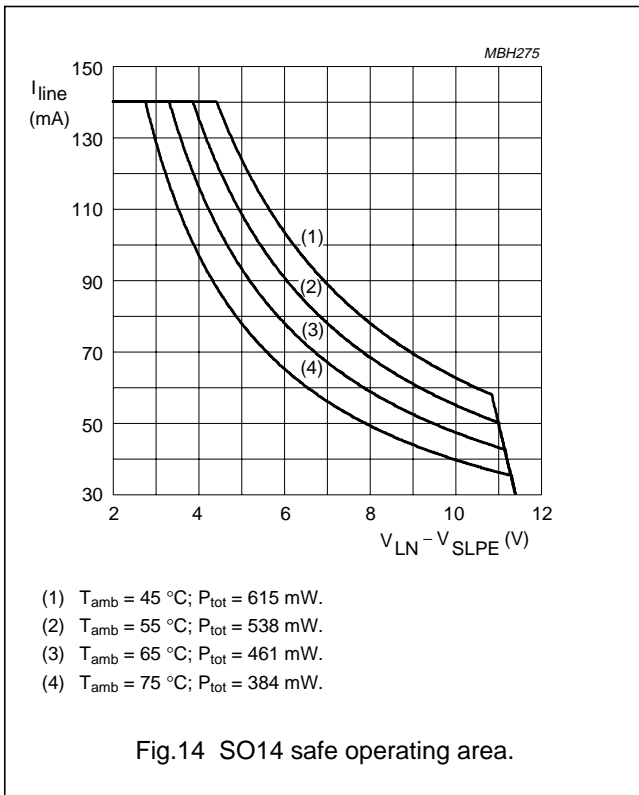
This device meets class 2 ESD test requirements [Human Body Model (HBM)], in accordance with "MIL STD 883C - method 3015".

**THERMAL CHARACTERISTICS**

SYMBOL	PARAMETER	CONDITIONS	VALUE	UNIT
R <sub>th j-a</sub>	thermal resistance from junction to ambient in free air TEA1118T; TEA1118AT		130	K/W
	TEA1118M; TEA1118AM	mounted on epoxy board 40.1 × 19.1 × 1.5 mm	160	K/W

Versatile cordless transmission circuit

TEA1118; TEA1118A



CHARACTERISTICS

$I_{line} = 15\text{ mA}$ ;  $V_{EE} = 0\text{ V}$ ;  $R_{SLPE} = 20\text{ }\Omega$ ; AGC pin connected to  $V_{EE}$ ;  $Z_{line} = 600\text{ }\Omega$ ;  $f = 1\text{ kHz}$ ;  $T_{amb} = 25\text{ }^{\circ}\text{C}$ ; unless otherwise specified.

SYMBOL	PARAMETER	CONDITIONS	MIN.	TYP.	MAX.	UNIT
<b>Supplies (pins <math>V_{LN}</math>, <math>V_{CC}</math>, SLPE and REG)</b>						
$V_{ref}$	stabilized voltage between LN and SLPE		3.1	3.35	3.6	V
$V_{LN}$	DC line voltage	$I_{line} = 1\text{ mA}$	–	1.6	–	V
		$I_{line} = 4\text{ mA}$	–	2.45	–	V
		$I_{line} = 15\text{ mA}$	3.35	3.65	3.95	V
		$I_{line} = 140\text{ mA}$	–	–	6.9	V
$V_{LN(exR)}$	DC line voltage with an external resistor $R_{VA}$	$R_{VA(SLPE-REG)} = 27\text{ k}\Omega$	–	4.4	–	V
$\Delta V_{LN(T)}$	DC line voltage variation with temperature referenced to $25\text{ }^{\circ}\text{C}$	$T_{amb} = -25\text{ to }+75\text{ }^{\circ}\text{C}$	–	$\pm 30$	–	mV
$I_{CC}$	internal current consumption	$V_{CC} = 2.9\text{ V}$	–	1.15	1.4	mA
$V_{CC}$	supply voltage for peripherals	$I_P = 0\text{ mA}$	–	2.9	–	V
$R_{CCint}$	equivalent supply voltage resistance	$I_P = 0.5\text{ mA}$	–	550	620	$\Omega$

## Versatile cordless transmission circuit

## TEA1118; TEA1118A

SYMBOL	PARAMETER	CONDITIONS	MIN.	TYP.	MAX.	UNIT
<b>Transmit amplifier (pins TX+, TX– and GAT)</b>						
$ Z_i $	input impedance differential between pins TX+ and TX–		–	62.5	–	k $\Omega$
	single-ended between pins TX+/TX– and $V_{EE}$		–	36.5	–	k $\Omega$
$G_{vtx}$	voltage gain from TX+/TX– to LN	$V_{TX} = 200$ mV (RMS)	10.1	11.3	12.5	dB
$\Delta G_{vtx(f)}$	gain variation with frequency referred to 1 kHz	$f = 300$ to 3400 Hz	–	$\pm 0.2$	–	dB
$\Delta G_{vtx(T)}$	gain variation with temperature referred to 25 °C	$T_{amb} = -25$ to +75 °C	–	$\pm 0.3$	–	dB
CMRR	common mode rejection ratio		–	60	–	dB
$\Delta G_{vtxr}$	gain voltage reduction range (TEA1118 only)	external resistor connected between GAT and REG	–	–	6	dB
$V_{LN(max)}$	maximum sending signal (RMS value)	$I_{line} = 15$ mA; THD = 2%	1.4	1.7	–	V
		$I_{line} = 4$ mA; THD = 10%	–	0.8	–	V
$V_{TX(max)}$	maximum transmit input voltage (RMS value)	$I_{line} = 15$ mA; THD = 2%	–	0.45	–	V
		$I_{line} = 75$ mA; THD = 2%	–	0.9	–	V
$V_{notx}$	noise output voltage at pin LN; pins TX+/TX– shorted through 200 $\Omega$	psophometrically weighted (P53 curve)	–	–84	–	dBmp
<b>Transmit mute (pin TMUTE; TEA1118A only)</b>						
$\Delta G_{vtxm}$	gain reduction	TMUTE = HIGH	–	80	–	dB
$V_{IL}$	LOW level input voltage		$V_{EE} - 0.4$	–	$V_{EE} + 0.3$	V
$V_{IH}$	HIGH level input voltage		$V_{EE} + 1.5$	–	$V_{CC} + 0.4$	V
$I_{TMUTE}$	input current	input level = HIGH	–	1.25	3	$\mu$ A
<b>Receive amplifier (pins IR, QR and GAR)</b>						
$ Z_i $	input impedance		–	20	–	k $\Omega$
$G_{vrx}$	voltage gain from IR to QR	$V_{IR} = 4$ mV (RMS)	29.8	31	32.2	dB
$\Delta G_{vrx(f)}$	gain variation with frequency referenced to 1 kHz	$f = 300$ to 3400 Hz	–	$\pm 0.2$	–	dB
$\Delta G_{vrx(T)}$	gain variation with temperature referenced to 25 °C	$T_{amb} = -25$ to +75 °C	–	$\pm 0.3$	–	dB
$\Delta G_{vrxr}$	gain voltage reduction range	external resistor connected between GAR and QR	–	–	12	dB
$V_{o(rms)}$	maximum receive signal (RMS value)	$I_p = 0$ mA sine wave drive; $R_L = 150$ $\Omega$ ; THD = 2%	–	0.25	–	V
		$I_p = 0$ mA sine wave drive; $R_L = 450$ $\Omega$ ; THD = 2%	–	0.35	–	V
$V_{norx(rms)}$	noise output voltage at pin QR (RMS value) TEA1118 TEA1118A	IR open-circuit; $R_L = 150$ $\Omega$ ; psophometrically weighted (P53 curve)	–	–89	–	dBVp
			–	–86	–	dBVp

## Versatile cordless transmission circuit

## TEA1118; TEA1118A

SYMBOL	PARAMETER	CONDITIONS	MIN.	TYP.	MAX.	UNIT
<b>Automatic gain control (pin AGC)</b>						
$\Delta G_{vtrx}$	gain control range for transmit and receive amplifiers with respect to $I_{line} = 15 \text{ mA}$	$I_{line} = 75 \text{ mA}$ ;	–	5.8	–	dB
$I_{start}$	highest line current for maximum gain		–	26	–	mA
$I_{stop}$	lowest line current for minimum gain		–	61	–	mA
<b>DTMF amplifier (pin DTMF; TEA1118A only)</b>						
$ Z_i $	input impedance		–	20	–	k $\Omega$
$G_{vdtmf}$	voltage gain from DTMF to LN	$V_{DTMF} = 100 \text{ mV (RMS)}$ ; MUTE or TMUTE = HIGH	16.2	17.4	18.6	dB
$\Delta G_{vdtmf(f)}$	gain variation with frequency referenced to 1 kHz	$f = 300 \text{ to } 3400 \text{ Hz}$	–	$\pm 0.2$	–	dB
$\Delta G_{vdtmf(T)}$	gain variation with temperature referenced to 25 °C	$T_{amb} = -25 \text{ to } +75 \text{ }^\circ\text{C}$	–	$\pm 0.4$	–	dB
$G_{vct}$	voltage gain from DTMF to QR (confidence tone)	$V_{DTMF} = 100 \text{ mV (RMS)}$ ; $R_L = 150 \text{ } \Omega$	–	–18	–	dB
<b>Mute function (pin MUTE; TEA1118A only)</b>						
$V_{IL}$	LOW level input voltage		$V_{EE} - 0.4$	–	$V_{EE} + 0.3$	V
$V_{IH}$	HIGH level input voltage		$V_{EE} + 1.5$	–	$V_{CC} + 0.4$	V
$I_{MUTE}$	input current	input level = HIGH	–	1.25	3	$\mu\text{A}$
$\Delta G_{trxm}$	gain reduction for transmit and receive amplifiers	MUTE = HIGH	–	80	–	dB

Versatile cordless transmission circuit

TEA1118; TEA118A

APPLICATION INFORMATION

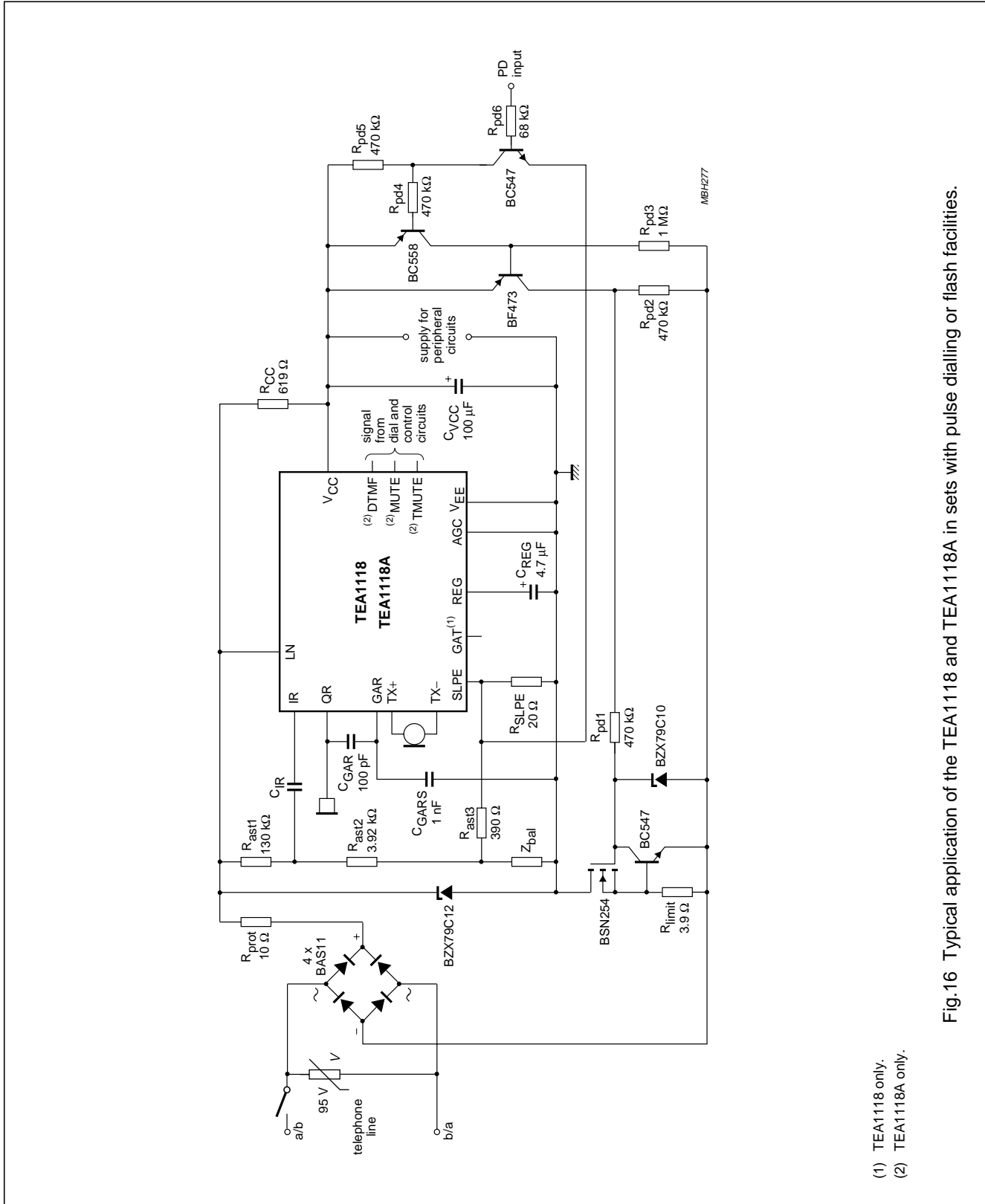


Fig.16 Typical application of the TEA1118 and TEA118A in sets with pulse dialling or flash facilities.

- (1) TEA1118 only.
- (2) TEA118A only.



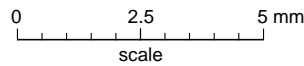
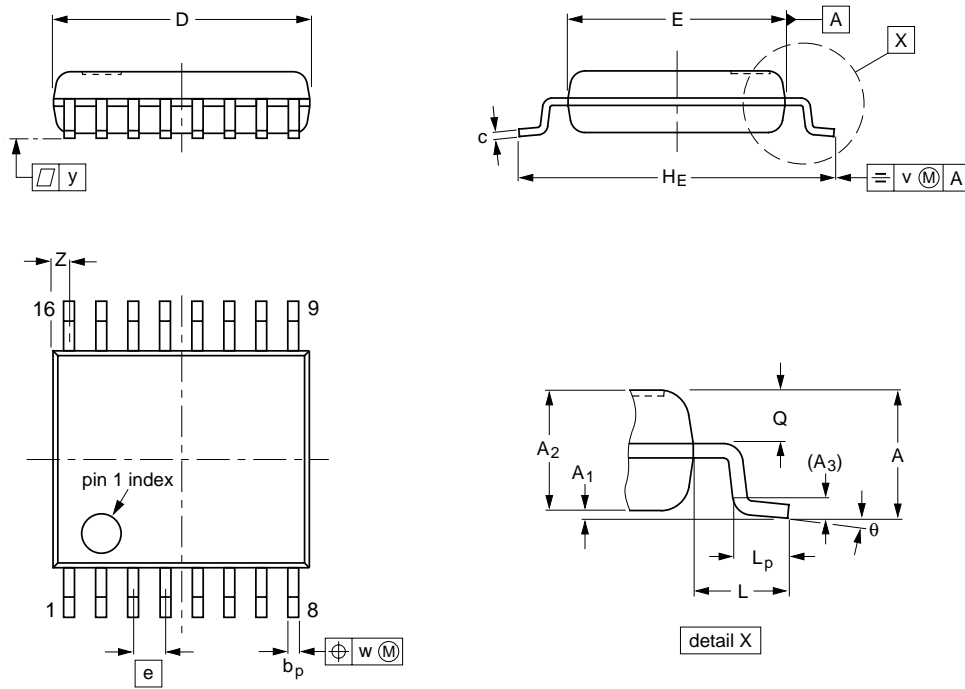
Versatile cordless transmission circuit

TEA1118; TEA1118A

PACKAGE OUTLINES

SSOP16: plastic shrink small outline package; 16 leads; body width 4.4 mm

SOT369-1



DIMENSIONS (mm are the original dimensions)

UNIT	A max.	A <sub>1</sub>	A <sub>2</sub>	A <sub>3</sub>	b <sub>p</sub>	c	D <sup>(1)</sup>	E <sup>(1)</sup>	e	H <sub>E</sub>	L	L <sub>p</sub>	Q	v	w	y	Z <sup>(1)</sup>	θ
mm	1.5	0.15 0.00	1.4 1.2	0.25	0.32 0.20	0.25 0.13	5.30 5.10	4.5 4.3	0.65	6.6 6.2	1.0	0.75 0.45	0.65 0.45	0.2	0.13	0.1	0.48 0.18	10° 0°

Note

1. Plastic or metal protrusions of 0.20 mm maximum per side are not included.

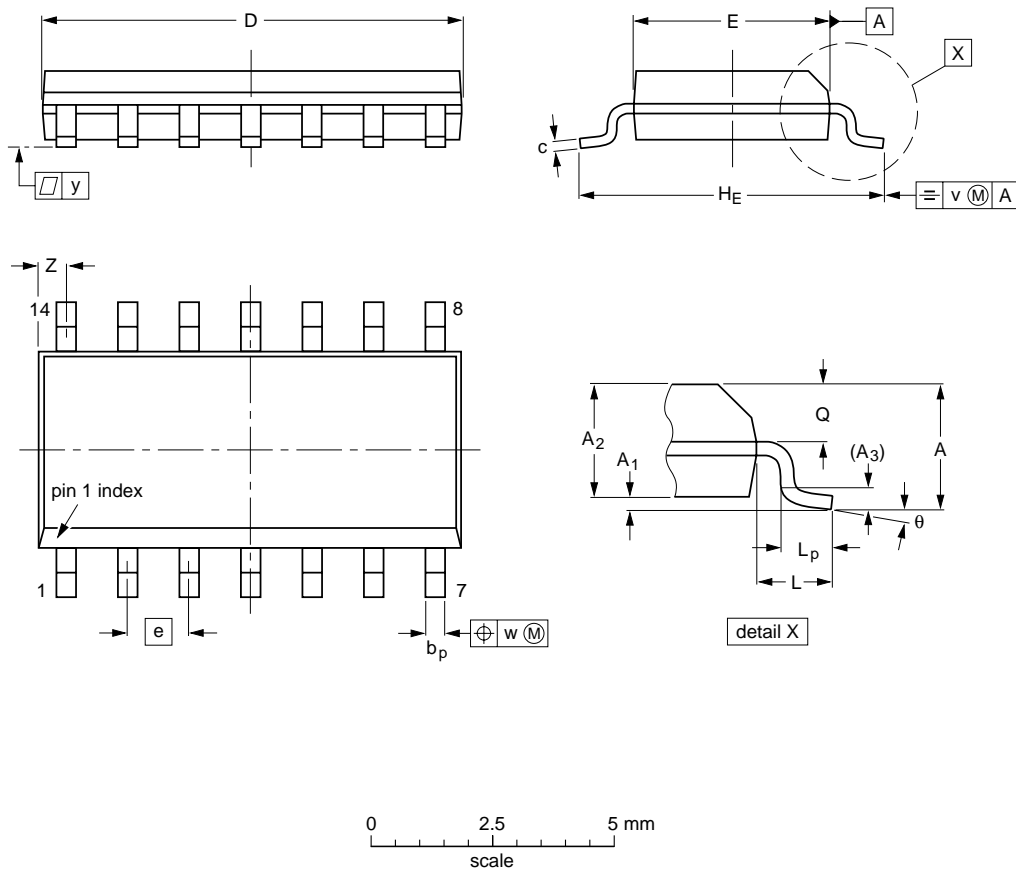
OUTLINE VERSION	REFERENCES				EUROPEAN PROJECTION	ISSUE DATE
	IEC	JEDEC	EIAJ			
SOT369-1						94-04-20 95-02-04

Versatile cordless transmission circuit

TEA1118; TEA1118A

SO14: plastic small outline package; 14 leads; body width 3.9 mm

SOT108-1



DIMENSIONS (inch dimensions are derived from the original mm dimensions)

UNIT	A max.	A <sub>1</sub>	A <sub>2</sub>	A <sub>3</sub>	b <sub>p</sub>	c	D <sup>(1)</sup>	E <sup>(1)</sup>	e	H <sub>E</sub>	L	L <sub>p</sub>	Q	v	w	y	z <sup>(1)</sup>	θ
mm	1.75	0.25 0.10	1.45 1.25	0.25	0.49 0.36	0.25 0.19	8.75 8.55	4.0 3.8	1.27	6.2 5.8	1.05	1.0 0.4	0.7 0.6	0.25	0.25	0.1	0.7 0.3	8° 0°
inches	0.069	0.010 0.004	0.057 0.049	0.01	0.019 0.014	0.0100 0.0075	0.35 0.34	0.16 0.15	0.050	0.244 0.228	0.041	0.039 0.016	0.028 0.024	0.01	0.01	0.004	0.028 0.012	

Note

1. Plastic or metal protrusions of 0.15 mm maximum per side are not included.

OUTLINE VERSION	REFERENCES			EUROPEAN PROJECTION	ISSUE DATE
	IEC	JEDEC	EIAJ		
SOT108-1	076E06S	MS-012AB			95-01-23 97-05-22

## Versatile cordless transmission circuit

## TEA1118; TEA1118A

### SOLDERING

#### Introduction

There is no soldering method that is ideal for all IC packages. Wave soldering is often preferred when through-hole and surface mounted components are mixed on one printed-circuit board. However, wave soldering is not always suitable for surface mounted ICs, or for printed-circuits with high population densities. In these situations reflow soldering is often used.

This text gives a very brief insight to a complex technology. A more in-depth account of soldering ICs can be found in our "IC Package Databook" (order code 9398 652 90011).

#### Reflow soldering

Reflow soldering techniques are suitable for all SO and SSOP packages.

Reflow soldering requires solder paste (a suspension of fine solder particles, flux and binding agent) to be applied to the printed-circuit board by screen printing, stencilling or pressure-syringe dispensing before package placement.

Several techniques exist for reflowing; for example, thermal conduction by heated belt. Dwell times vary between 50 and 300 seconds depending on heating method. Typical reflow temperatures range from 215 to 250 °C.

Preheating is necessary to dry the paste and evaporate the binding agent. Preheating duration: 45 minutes at 45 °C.

#### Wave soldering

##### SO

Wave soldering techniques can be used for all SO packages if the following conditions are observed:

- A double-wave (a turbulent wave with high upward pressure followed by a smooth laminar wave) soldering technique should be used.
- The longitudinal axis of the package footprint must be parallel to the solder flow.
- The package footprint must incorporate solder thieves at the downstream end.

##### SSOP

Wave soldering is **not** recommended for SSOP packages. This is because of the likelihood of solder bridging due to closely-spaced leads and the possibility of incomplete solder penetration in multi-lead devices.

**If wave soldering cannot be avoided, the following conditions must be observed:**

- **A double-wave (a turbulent wave with high upward pressure followed by a smooth laminar wave) soldering technique should be used.**
- **The longitudinal axis of the package footprint must be parallel to the solder flow and must incorporate solder thieves at the downstream end.**

**Even with these conditions, only consider wave soldering SSOP packages that have a body width of 4.4 mm, that is SSOP16 (SOT369-1) or SSOP20 (SOT266-1).**

#### METHOD (SO AND SSOP)

During placement and before soldering, the package must be fixed with a droplet of adhesive. The adhesive can be applied by screen printing, pin transfer or syringe dispensing. The package can be soldered after the adhesive is cured.

Maximum permissible solder temperature is 260 °C, and maximum duration of package immersion in solder is 10 seconds, if cooled to less than 150 °C within 6 seconds. Typical dwell time is 4 seconds at 250 °C.

A mildly-activated flux will eliminate the need for removal of corrosive residues in most applications.

#### Repairing soldered joints

Fix the component by first soldering two diagonally-opposite end leads. Use only a low voltage soldering iron (less than 24 V) applied to the flat part of the lead. Contact time must be limited to 10 seconds at up to 300 °C. When using a dedicated tool, all other leads can be soldered in one operation within 2 to 5 seconds between 270 and 320 °C.

## Versatile cordless transmisssion circuit

TEA1118; TEA1118A

**DEFINITIONS**

<b>Data sheet status</b>	
Objective specification	This data sheet contains target or goal specifications for product development.
Preliminary specification	This data sheet contains preliminary data; supplementary data may be published later.
Product specification	This data sheet contains final product specifications.
<b>Limiting values</b>	
Limiting values given are in accordance with the Absolute Maximum Rating System (IEC 134). Stress above one or more of the limiting values may cause permanent damage to the device. These are stress ratings only and operation of the device at these or at any other conditions above those given in the Characteristics sections of the specification is not implied. Exposure to limiting values for extended periods may affect device reliability.	
<b>Application information</b>	
Where application information is given, it is advisory and does not form part of the specification.	

**LIFE SUPPORT APPLICATIONS**

These products are not designed for use in life support appliances, devices, or systems where malfunction of these products can reasonably be expected to result in personal injury. Philips customers using or selling these products for use in such applications do so at their own risk and agree to fully indemnify Philips for any damages resulting from such improper use or sale.

Versatile cordless transmisssion circuit

TEA1118; TEA1118A

---

**NOTES**

Versatile cordless transmisssion circuit

TEA1118; TEA1118A

---

**NOTES**

Versatile cordless transmisssion circuit

TEA1118; TEA1118A

---

**NOTES**

# Philips Semiconductors – a worldwide company

**Argentina:** see South America

**Australia:** 34 Waterloo Road, NORTH RYDE, NSW 2113,  
Tel. +61 2 9805 4455, Fax. +61 2 9805 4466

**Austria:** Computerstr. 6, A-1101 WIEN, P.O. Box 213, Tel. +43 160 1010,  
Fax. +43 160 101 1210

**Belarus:** Hotel Minsk Business Center, Bld. 3, r. 1211, Volodarski Str. 6,  
220050 MINSK, Tel. +375 172 200 733, Fax. +375 172 200 773

**Belgium:** see The Netherlands

**Brazil:** see South America

**Bulgaria:** Philips Bulgaria Ltd., Energoproject, 15th floor,  
51 James Bourchier Blvd., 1407 SOFIA,  
Tel. +359 2 689 211, Fax. +359 2 689 102

**Canada:** PHILIPS SEMICONDUCTORS/COMPONENTS,  
Tel. +1 800 234 7381

**China/Hong Kong:** 501 Hong Kong Industrial Technology Centre,  
72 Tat Chee Avenue, Kowloon Tong, HONG KONG,  
Tel. +852 2319 7888, Fax. +852 2319 7700

**Colombia:** see South America

**Czech Republic:** see Austria

**Denmark:** Prags Boulevard 80, PB 1919, DK-2300 COPENHAGEN S,  
Tel. +45 32 88 2636, Fax. +45 31 57 0044

**Finland:** Sinikalliontie 3, FIN-02630 ESPOO,  
Tel. +358 9 615800, Fax. +358 9 61580920

**France:** 4 Rue du Port-aux-Vins, BP317, 92156 SURESNES Cedex,  
Tel. +33 1 40 99 6161, Fax. +33 1 40 99 6427

**Germany:** Hammerbrookstraße 69, D-20097 HAMBURG,  
Tel. +49 40 23 53 60, Fax. +49 40 23 536 300

**Greece:** No. 15, 25th March Street, GR 17778 TAVROS/ATHENS,  
Tel. +30 1 4894 339/239, Fax. +30 1 4814 240

**Hungary:** see Austria

**India:** Philips INDIA Ltd, Band Box Building, 2nd floor,  
254-D, Dr. Annie Besant Road, Worli, MUMBAI 400 025,  
Tel. +91 22 493 8541, Fax. +91 22 493 0966

**Indonesia:** see Singapore

**Ireland:** Newstead, Clonskeagh, DUBLIN 14,  
Tel. +353 1 7640 000, Fax. +353 1 7640 200

**Israel:** RAPAC Electronics, 7 Kehilat Saloniki St, PO Box 18053,  
TEL AVIV 61180, Tel. +972 3 645 0444, Fax. +972 3 649 1007

**Italy:** PHILIPS SEMICONDUCTORS, Piazza IV Novembre 3,  
20124 MILANO, Tel. +39 2 6752 2531, Fax. +39 2 6752 2557

**Japan:** Philips Bldg 13-37, Kohnan 2-chome, Minato-ku, TOKYO 108,  
Tel. +81 3 3740 5130, Fax. +81 3 3740 5077

**Korea:** Philips House, 260-199 Itaewon-dong, Yongsan-ku, SEOUL,  
Tel. +82 2 709 1412, Fax. +82 2 709 1415

**Malaysia:** No. 76 Jalan Universiti, 46200 PETALING JAYA, SELANGOR,  
Tel. +60 3 750 5214, Fax. +60 3 757 4880

**Mexico:** 5900 Gateway East, Suite 200, EL PASO, TEXAS 79905,  
Tel. +9-5 800 234 7381

**Middle East:** see Italy

**Netherlands:** Postbus 90050, 5600 PB EINDHOVEN, Bldg. VB,  
Tel. +31 40 27 82785, Fax. +31 40 27 88399

**New Zealand:** 2 Wagener Place, C.P.O. Box 1041, AUCKLAND,  
Tel. +64 9 849 4160, Fax. +64 9 849 7811

**Norway:** Box 1, Manglerud 0612, OSLO,  
Tel. +47 22 74 8000, Fax. +47 22 74 8341

**Philippines:** Philips Semiconductors Philippines Inc.,  
106 Valero St. Salcedo Village, P.O. Box 2108 MCC, MAKATI,  
Metro MANILA, Tel. +63 2 816 6380, Fax. +63 2 817 3474

**Poland:** Ul. Lukiska 10, PL 04-123 WARSZAWA,  
Tel. +48 22 612 2831, Fax. +48 22 612 2327

**Portugal:** see Spain

**Romania:** see Italy

**Russia:** Philips Russia, Ul. Usatcheva 35A, 119048 MOSCOW,  
Tel. +7 095 755 6918, Fax. +7 095 755 6919

**Singapore:** Lorong 1, Toa Payoh, SINGAPORE 1231,  
Tel. +65 350 2538, Fax. +65 251 6500

**Slovakia:** see Austria

**Slovenia:** see Italy

**South Africa:** S.A. PHILIPS Pty Ltd., 195-215 Main Road Martindale,  
2092 JOHANNESBURG, P.O. Box 7430 Johannesburg 2000,  
Tel. +27 11 470 5911, Fax. +27 11 470 5494

**South America:** Rua do Rocio 220, 5th floor, Suite 51,  
04552-903 São Paulo, SÃO PAULO - SP, Brazil,  
Tel. +55 11 821 2333, Fax. +55 11 829 1849

**Spain:** Balmes 22, 08007 BARCELONA,  
Tel. +34 3 301 6312, Fax. +34 3 301 4107

**Sweden:** Kottbygatan 7, Akalla, S-16485 STOCKHOLM,  
Tel. +46 8 632 2000, Fax. +46 8 632 2745

**Switzerland:** Allmendstrasse 140, CH-8027 ZÜRICH,  
Tel. +41 1 488 2686, Fax. +41 1 481 7730

**Taiwan:** Philips Semiconductors, 6F, No. 96, Chien Kuo N. Rd., Sec. 1,  
TAIPEI, Taiwan Tel. +886 2 2134 2865, Fax. +886 2 2134 2874

**Thailand:** PHILIPS ELECTRONICS (THAILAND) Ltd.,  
209/2 Sanpavuth-Bangna Road Prakanong, BANGKOK 10260,  
Tel. +66 2 745 4090, Fax. +66 2 398 0793

**Turkey:** Talatpasa Cad. No. 5, 80640 GÜLTEPE/ISTANBUL,  
Tel. +90 212 279 2770, Fax. +90 212 282 6707

**Ukraine:** PHILIPS UKRAINE, 4 Patrice Lumumba str., Building B, Floor 7,  
252042 KIEV, Tel. +380 44 264 2776, Fax. +380 44 268 0461

**United Kingdom:** Philips Semiconductors Ltd., 276 Bath Road, Hayes,  
MIDDLESEX UB3 5BX, Tel. +44 181 730 5000, Fax. +44 181 754 8421

**United States:** 811 East Arques Avenue, SUNNYVALE, CA 94088-3409,  
Tel. +1 800 234 7381

**Uruguay:** see South America

**Vietnam:** see Singapore

**Yugoslavia:** PHILIPS, Trg N. Pasica 5/v, 11000 BEOGRAD,  
Tel. +381 11 625 344, Fax. +381 11 635 777

**For all other countries apply to:** Philips Semiconductors, Marketing & Sales Communications,  
Building BE-p, P.O. Box 218, 5600 MD EINDHOVEN, The Netherlands, Fax. +31 40 27 24825

**Internet:** <http://www.semiconductors.philips.com>

© Philips Electronics N.V. 1997

SCA55

All rights are reserved. Reproduction in whole or in part is prohibited without the prior written consent of the copyright owner.

The information presented in this document does not form part of any quotation or contract, is believed to be accurate and reliable and may be changed without notice. No liability will be accepted by the publisher for any consequence of its use. Publication thereof does not convey nor imply any license under patent- or other industrial or intellectual property rights.

Printed in The Netherlands

417027/1200/03/pp24

Date of release: 1997 Jul 14

Document order number: 9397 750 02613

*Let's make things better.*

**Philips  
Semiconductors**



**PHILIPS**