

- Fully encapsulated 2"x1" package
- 3000 VAC I/O isolation (reinforced)
- 4:1 input voltage range: 36 – 160 VDC
- EN 50155 and EN 61373 certified
- Internal class A EMI filter
- -40°C up to +70°C operating temperature
- EN 45545-2 fire behavior
- Remote on/off function
- Undervoltage lockout (UVLO), short-circuit protection (SCP), overtemperature protection (OTP), and overvoltage protection (OVP)
- 3-year product warranty



The TEN 40WIRH is a series of 40 watt railway-certified DC/DC converters with reinforced I/O isolation for highest reliability in harsh environments. The proven and certified design guarantees highest resistance against thermal shocks, moisture, mechanical shocks, and vibration. The TEN 40WIRH comes with additional EN 62368-1 safety approvals for IT equipment and EN 45545-2 certification for fire behavior. Thanks to its favorable operating temperature range of -40°C up to +70°C (depending on the model), the TEN 40WIRH presents a first choice for demanding applications.

Models						
Order Code	Input Voltage Range	Output 1		Output 2		Efficiency typ.
		Vnom	I _{max}	Vnom	I _{max}	
TEN 40-11011WIRH	36 - 160 VDC (110 VDC nom.)	5.1 VDC	8'000 mA			88 %
TEN 40-11012WIRH		12 VDC	3'330 mA			89 %
TEN 40-11013WIRH		15 VDC	2'666 mA			90 %
TEN 40-11015WIRH		24 VDC	1'666 mA			89 %
TEN 40-11022WIRH		+12 VDC	1.666 mA	-12 VDC	1.666 mA	88 %
TEN 40-11023WIRH		+15 VDC	1.333 mA	-15 VDC	1.333 mA	89 %

Options	
on demand (backorder with MOQ non stocking item)	- Optional models with inverse remote on/off function (passiv = off)

Input Specifications

Input Current	- At no load	10 mA typ.
Surge Voltage		200 VDC max. (1 s max.)
Input Inrush Current		55 A typ.
Under Voltage Lockout		32 VDC min. / 34 VDC typ. / 35.8 VDC max.
Recommended Input Fuse		3'150 mA (slow blow) (The need of an external fuse has to be assessed in the final application.)
Input Filter		Internal Pi-Type

Output Specifications

Output Voltage Adjustment		±10% (5.1, 12 Vout single models) -10% to +20% (15, 24 Vout single models) (By external trim resistor) See application note: www.tracopower.com/overview/ten40wirh Output power must not exceed rated power!
Voltage Set Accuracy		±1% max.
Regulation	- Input Variation (Vmin - Vmax) - Load Variation (0 - 100%) - Voltage Balance (symmetrical load) - Cross Regulation (25% / 100% asym. load)	single output models: 0.2% max. dual output models: 0.5% max. single output models: 0.5% max. dual output models: 1% max. (Output 1) 1% max. (Output 2) dual output models: 2% max. dual output models: 5% max.
Ripple and Noise (20 MHz Bandwidth)	- single output - dual output	5.1 Vout models: 75 mVp-p typ. (w/ 1 µF, 50 V, X7R) 12 Vout models: 100 mVp-p typ. (w/ 1 µF, 50 V, X7R) 15 Vout models: 100 mVp-p typ. (w/ 1 µF, 50 V, X7R) 24 Vout models: 150 mVp-p typ. (w/ 1 µF, 50 V, X7R) 12 / -12 Vout models: 100 / 100 mVp-p typ. (w/ 1 µF, 50 V, X7R) 15 / -15 Vout models: 100 / 100 mVp-p typ. (w/ 1 µF, 50 V, X7R)
Capacitive Load	- single output - dual output	5.1 Vout models: 9'600 µF max. 12 Vout models: 1'667 µF max. 15 Vout models: 1'066 µF max. 24 Vout models: 417 µF max. 12 / -12 Vout models: 833 / 833 µF max. 15 / -15 Vout models: 533 / 533 µF max.
Minimum Load		Not required
Temperature Coefficient		±0.02 %/K max.
Start-up Time		30 ms typ. / 60 ms max.
Short Circuit Protection		Continuous, Automatic recovery
Output Current Limitation		150% typ. of Iout max.
Overvoltage Protection		126% typ. of Vout nom. (depending on model) 6.2 VDC typ. (5.1 Vout model) 15 VDC typ. (12 Vout model) 20 VDC typ. (15 Vout model) 30 VDC typ. (24 Vout model) (by Zener diode)
Transient Response	- Peak Variation - Response Time	450 mV typ. / 650 mV max. (75% to 100% Load Step) 250 µs typ. / 300 µs max. (75% to 100% Load Step)

All specifications valid at nominal voltage, resistive full load and +25°C after warm-up time, unless otherwise stated.

Safety Specifications

Safety Standards	- IT / Multimedia Equipment	EN 62368-1 IEC 62368-1 UL 62368-1
	- Railway Applications	EN 50155
	- Certification Documents	www.tracopower.com/overview/ten40wirh
Pollution Degree		PD 2
Over Voltage Category		OVC II

EMC Specifications

EMI Emissions	- Conducted Emissions	EN 50121-3-2 (EMC for Rolling Stock) EN 55032 class A (internal filter) EN 55032 class B (with external filter)
	- Radiated Emissions	EN 55032 class A (internal filter) EN 55032 class B (with external filter)
	External filter proposal:	www.tracopower.com/overview/ten40wirh
EMS Immunity		EN 50155 (Railway Applications) EN 50121-3-2 (EMC for Rolling Stock) EN 55024 (IT Equipment) EN 55035 (Multimedia)
	- Electrostatic Discharge	Air: EN 61000-4-2, ± 8 kV, perf. criteria A Contact: EN 61000-4-2, ± 6 kV, perf. criteria A
	- RF Electromagnetic Field	EN 61000-4-3, 20 V/m, perf. criteria A
	- EFT (Burst) / Surge	EN 61000-4-4, ± 2 kV, perf. criteria A EN 61000-4-5, ± 2 kV, perf. criteria A
	- Conducted RF Disturbances	Ext. input component: 2x 220 μ F, 200 V, KXJ SMDJ170A EN 61000-4-6, 10 Vrms, perf. criteria A
	- PF Magnetic Field	Continuous: EN 61000-4-8, 100 A/m, perf. criteria A 1 s: EN 61000-4-8, 1000 A/m, perf. criteria A

General Specifications

Relative Humidity		95% max. (non condensing)
Temperature Ranges	- Operating Temperature	-40°C to +70°C
	- Case Temperature	+105°C max.
	- Storage Temperature	-55°C to +125°C
Power Derating	- High Temperature	Depending on model
	See application note:	www.tracopower.com/overview/ten40wirh
Over Temperature Protection Switch Off	- Protection Mode	115°C min. (Automatic recovery)
	- Measurement Point	Case
Cooling System		Natural convection (20 LFM)
Remote Control	- Voltage Controlled Remote	On: 3.0 to 12 VDC or open circuit Off: 0 to 1.2 VDC or short circuit Refers to 'Remote' and '-Vin' Pin
	- Off Idle Input Current	3 mA typ. / 3.5 mA max. (Optional models with inverse logic (passiv = off) available)
Altitude During Operation		5'000 m max.
Switching Frequency		250 - 310 kHz (PWM) 275 kHz typ. (PWM)
Insulation System		Reinforced Insulation
Working Voltage (rated)		161 VAC
Isolation Test Voltage	- Input to Output, 60 s	3'000 VAC
	- Input to Case, 60 s	3'000 VAC
	- Output to Case, 60 s	2'000 VAC
Creepage	- Input to Output	4.5 mm min.
Clearance	- Input to Output	4.5 mm min.

All specifications valid at nominal voltage, resistive full load and +25°C after warm-up time, unless otherwise stated.

Isolation Resistance	- Input to Output, 500 VDC	1'000 M Ω min.
Isolation Capacitance	- Input to Output, 100 kHz, 1 V	650 pF typ. 1'000 pF max.
Reliability	- Calculated MTBF	1'253'000 h (MIL-HDBK-217F, ground benign)
Washing Process		According to Cleaning Guideline www.tracopower.com/info/cleaning.pdf
Environment	- Vibration - Mechanical Shock - Thermal Shock	MIL-STD-810F EN 61373 MIL-STD-810F EN 61373 MIL-STD-810F EN 50155
Housing Material		Non-conductive Plastic (UL 94 V-0 rated)
Base Material		Non-conductive Plastic (UL 94 V-0 rated)
Potting Material		Silicone (UL 94 V-0 rated)
Pin Material		Tinned Copper
Pin Foundation Plating		Nickel (2 - 3 μ m)
Pin Surface Plating		Tin (3 - 5 μ m), matte
Housing Type		Plastic Case
Mounting Type		PCB Mount
Connection Type		THD (Through-Hole Device)
Footprint Type		2" x 1"
Soldering Profile		Wave Soldering 260°C / 6 s max.
Weight		32 g
Thermal Impedance	- Case to Ambient	11.3 K/W typ.
Environmental Compliance	- REACH Declaration - RoHS Declaration - Flammability (EN 45545-2)	www.tracopower.com/info/reach-declaration.pdf REACH SVHC list compliant REACH Annex XVII compliant www.tracopower.com/info/rohs-declaration.pdf Exemptions: 7a, 7c-I (RoHS exemptions refer to the component concentration only, not to the overall concentration in the product (O5A rule). The SCIP number is provided on request.) www.tracopower.com/info/en45545-declaration.pdf

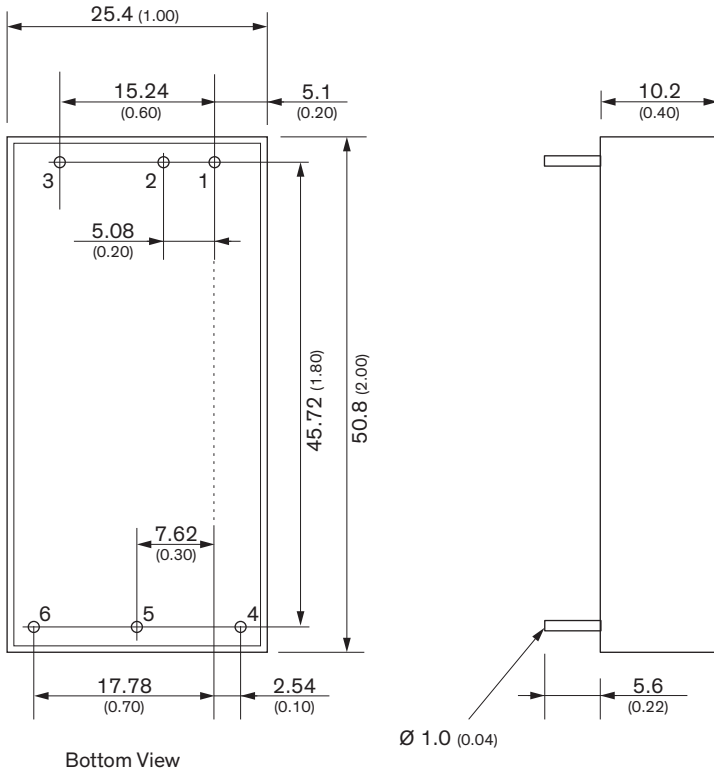
Supporting Documents

Overview Link (for additional Documents)

www.tracopower.com/overview/ten40wirh

All specifications valid at nominal voltage, resistive full load and +25°C after warm-up time, unless otherwise stated.

Outline Dimensions



Pinout		
Pin	Single	Dual
1	+Vin	
2	-Vin	
3	Remote On/Off	
4	+Vout	
5	-Vout	Common
6	Trim	-Vout

All dimension in mm (inch)
 Tolerance: X.X ±0.5 (X.XX ±0.02)
 X.XX ±0.25 (X.XXX ±0.010)
 Pin dimension tolerance ±0.10 (±0.004)