

TEW5317 is designed and approved to be used as a receive transformer in CEPT applications with the following device:

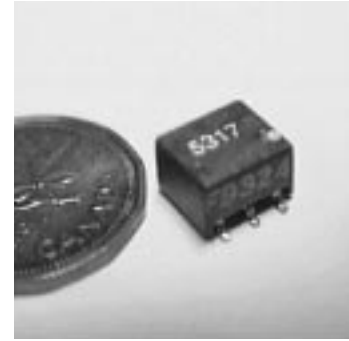
– **STC TEL5219L**

Longitudinal Bal.: Exceeds the requirements of CCITT I.431

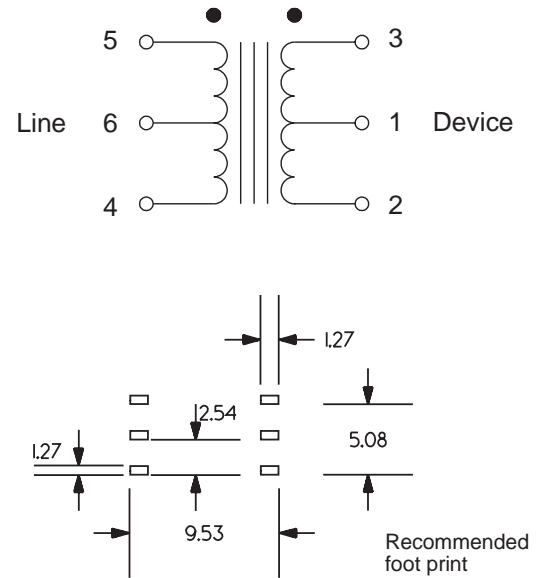
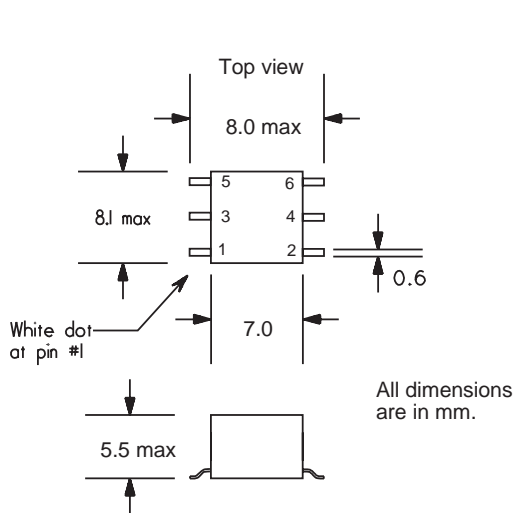
Return Loss: Exceeds the requirements of CCITT G.703 and BS6328.

Typical applications are:

- Primary rate ISDN network nodes.
- PBX or computer to CEPT Digital Trunks.
- TDM Multiplexers.



MECHANICAL



ELECTRICAL SPECIFICATION

TEW5317

Line Impedance	(4 - 5)	120 Ω
Turns ratio	(4 - 5) : (3 - 2)	1 : 1.6
Inductance (mH)	(4 - 5)	> 1. 2
Longitud. Bal.		I.431
Return Loss		G.703
Dielectric Strength (Vrms)		1500

ISSUE: A 94/11/07TEW5317.chp