

10/100BASE-Tx Magnetics Module

TF1102MG TF1102CG

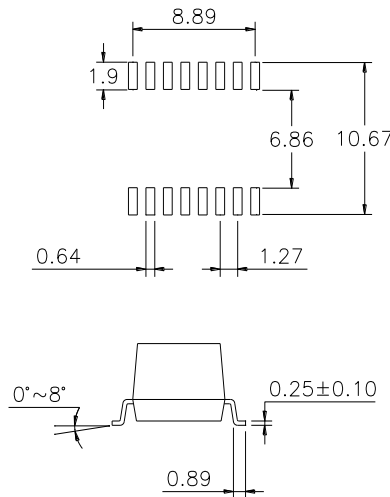
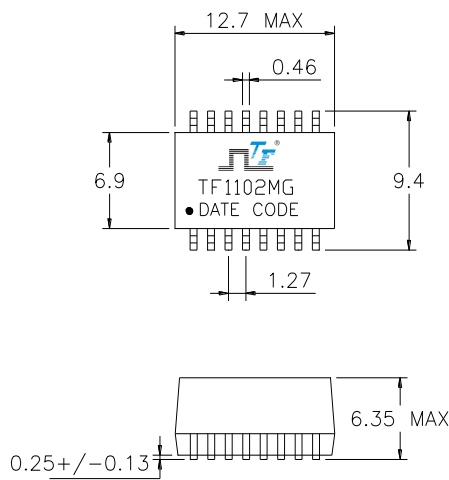
- Meets IEEE 802.3 standard
- RoHS Compliant
- RoHS peak reflow temperature rating: 245 °C

Electrical Specifications @25°C — Operating Temperature: 0°C~70°C

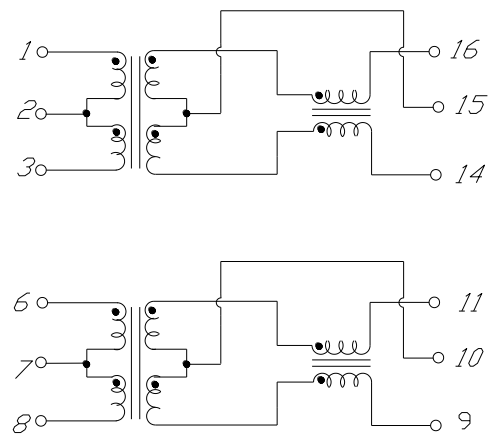
Part Number	Turns Ratio		Insertion Loss 100KHz-100MHz (dB MAX)	Return Loss (dB TYP)			Differential to Common Mode Rejection (dB TYP)			Crosstalk (dB TYP)			Hipot (Vrms MIN)
	TX	RX		1-30 MHz	60 MHz	80 MHz	30 MHz	50 MHz	100 MHz	30 MHz	60 MHz	100 MHz	
TF1102MG TF1102CG	1:1	1:1	-1.1	-16	-14	-11.5	-42	-37	-33	-45	-40	-35	1500

Note: MG Show Molding CG Show Header

Dimensions



Schematic



Units: mm

Unless otherwise specified all tolerances are ±0.25.

东莞市天富电子科技有限公司

东莞市企石镇铁炉坑村长和街 88 号

TEL: 0769-86945177 FAX: 0769-86941577

<http://www.lantransformer.com>

