

TFA9895

Boosted class-D audio amplifier with speaker boost protection and multiband dynamic range compressor

Rev. 1 — 23 October 2013

Product short data sheet

1. General description

The TFA9895 is a high efficiency class-D audio amplifier with a sophisticated speaker boost protection algorithm that features multi-band compression. It can deliver 2.65 W (RMS; THD = 1 %) output power into a 4 Ω speaker at a battery voltage of 3.6 V. The internal boost converter raises the supply voltage to 5.3 V, providing ample headroom for major improvements in sound quality.

A safe working environment is provided for the speaker under all operating conditions. The TFA9895 maximizes acoustic output while ensuring diaphragm displacement and voice coil temperature do not exceed their rated limits. This function is based on a speaker box model that operates in all loudspeaker environments (e.g. free air, closed box or vented box). Furthermore, advanced signal processing ensures that the quality of the audio signal is never degraded by unwanted clipping or distortion in the amplifier or speaker.

Unlike competing solutions, the adaptive sound maximizer algorithm uses feedback to accurately calculate both the temperature and the excursion, allowing the TFA9895 to adapt to changes in the acoustic environment.

Internal intelligent DC-to-DC conversion boosts the supply rail to provide additional headroom and power output. The supply voltage is only raised when necessary. This precaution maximizes the output power of the class-D audio amplifier while limiting quiescent power consumption.

The multi-band processing improves audio quality and apparent volume by allowing the gain to remain stable in most of the signal while the protection reacts to only those portions that would be unsafe. The TFA9895 also adds a high-frequency noise gate that improves the sound of poor-quality audio sources.

The TFA9895 also incorporates advanced battery protection. By limiting the supply current when the battery voltage is low, it prevents the audio system drawing excessive load currents from the battery, which could cause a system undervoltage. The advanced processor minimizes the impact of a falling battery voltage on the audio quality by preventing distortion as the battery discharges.

The device features low RF susceptibility because it has a digital input interface that is insensitive to clock jitter. The second order closed loop architecture used in a class-D audio amplifier provides excellent audio performance and high supply voltage ripple rejection. The audio input interface is I²S and the control settings are communicated via an I²C-bus interface.

The TFA9895 is available in a 29-bump WLCSP (Wafer Level Chip-Size Package) with a 400 μm pitch.



2. Features and benefits

- Sophisticated speaker-boost and protection algorithm that maximizes speaker performance while protecting the speaker:
 - ◆ Fully embedded software, no additional license fee or porting required
 - ◆ Total integrated solution that includes DSP, amplifier, DC-to-DC, sensing and more.
- Adaptive excursion control guarantees that the speaker membrane excursion never exceeds its rated limit
- Multiband dynamic range compressor (DRC) allows independent control of up to three frequency bands
- Real-time temperature protection - direct measurement ensures that voice coil temperature never exceeds its rated limit
- Environmentally aware - automatically adapts speaker parameters to acoustic and thermal changes including compensation for speaker-box leakage
- Output power: 2.65 W (RMS) into 4 Ω at 3.6 V supply voltage (THD = 1 %)
- Clip avoidance - DSP algorithm prevents clipping even with sagging supply voltage
- Bandwidth extension option to increase low frequency response
- Intelligent DC-to-DC converter maximizes audio headroom from any supply level and limits current consumption at low battery voltages
- Compatible with standard Acoustic Echo Cancellers (AECs)
- High efficiency and low-power dissipation
- Wide supply voltage range (fully operational from 2.5 V to 5.5 V)
- Two I²S inputs to support two audio sources
- I²C-bus control interface (400 kHz)
- Dedicated speech mode with speech activity detector
- Speaker current and voltage monitoring (via the I²S-bus) for Acoustic Echo Cancellation (AEC) at the host
- Fully short-circuit proof across the load and to the supply lines
- Sample frequencies from 8 kHz to 48 kHz supported
- Three bit-clock/word-select ratios supported (32x, 48x, 64x)
- Option to route I²S input direct to I²S output to allow a second I²S output slave device to be used in combination with the TFA9895
- TDM interface supported
- Volume control
- Low RF susceptibility
- Input interface insensitive to clock jitter
- Thermally protected
- Low 'pop noise' at all mode transitions

3. Applications

- Mobile phones
- Tablets
- Portable gaming devices

- Portable Navigation Devices (PND)
- Notebooks/Netbooks
- MP3 players and portable media players

4. Quick reference data

Table 1. Quick reference data

Symbol	Parameter	Conditions	Min	Typ	Max	Unit
V _{BAT}	battery supply voltage	on pin V _{BAT}	2.5	-	5.5	V
V _{DDD}	digital supply voltage	on pin V _{DDD}	1.65	1.8	1.95	V
I _{BAT}	battery supply current	on pin V _{BAT} and in DC-to-DC converter coil; Operating modes with load; DC-to-DC converter in Adaptive boost mode (no input signal)	-	1.55	-	mA
		on pin V _{BAT} and in DC-to-DC converter coil; Power-down mode	-	-	1	μA
I _{DDD}	digital supply current	on pin V _{DDD} ; Operating modes; speaker boost protection activated	-	20	-	mA
		on pin V _{DDD} ; Operating modes; CoolFlux DSP bypassed	-	4.8	-	mA
		on pin V _{DDD} ; Power-down mode; BCK1 = WS1 = DATA1 = BCK2 = WS2 = DATA2 = DATA3 = 0 V	-	10	-	μA
P _{o(RMS)}	RMS output power	CLIP = 00				
		R _L = 4 Ω; f _s = 48 kHz	-	2.55	-	W
		R _L = 4 Ω; f _s = 32 kHz	-	2.65	-	W
		R _L = 8 Ω; f _s = 48 kHz	-	1.5	-	W
		R _L = 8 Ω; f _s = 32 kHz	-	1.65	-	W

5. Ordering information

Table 2. Ordering information

Type number	Package		Version
	Name	Description	
TFA9895UK	WLCSP29	wafer level chip-size package; 29 bumps; 3.19 × 2.07 × 0.6 mm	TFA9895UK

6. Block diagram

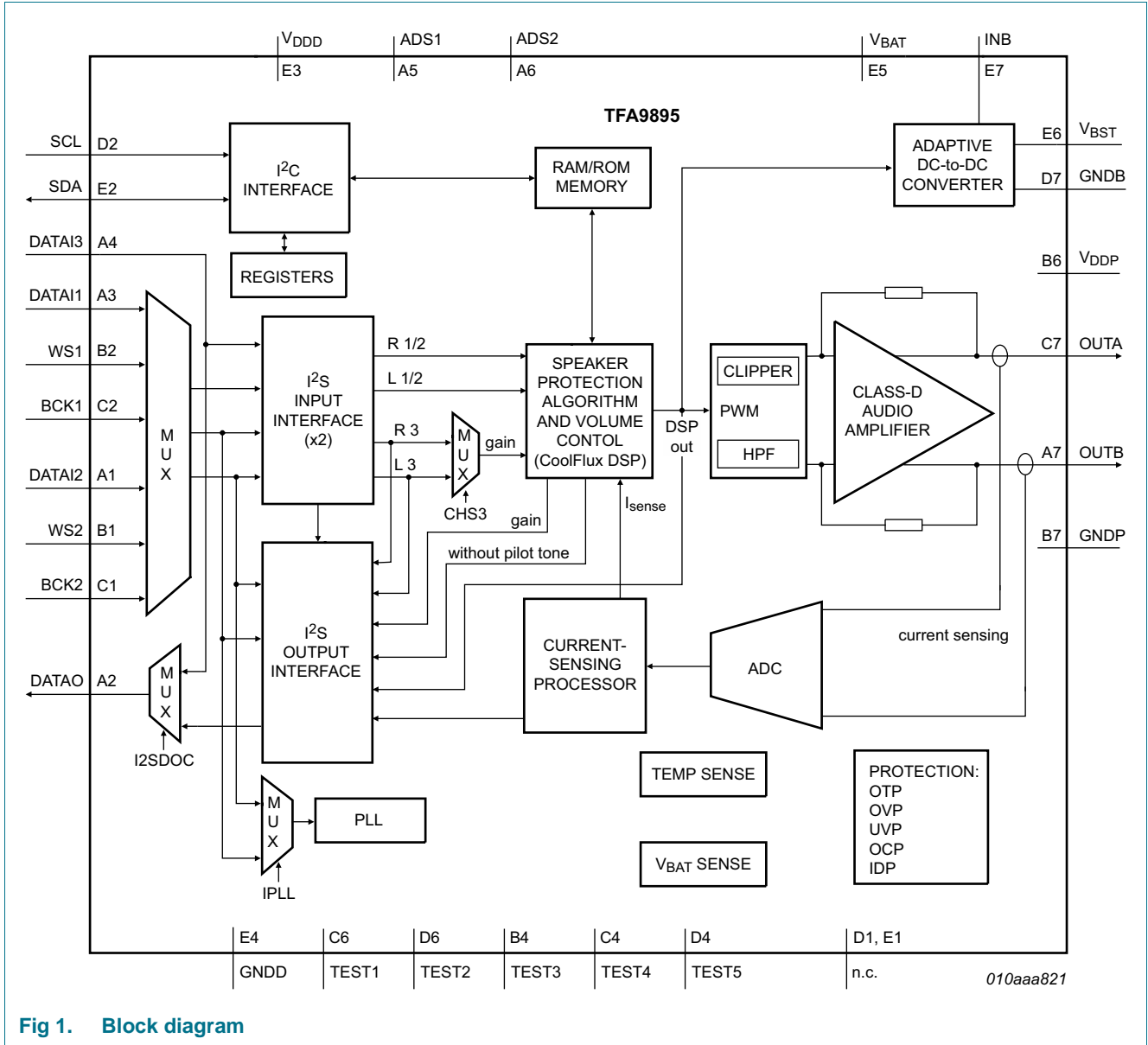
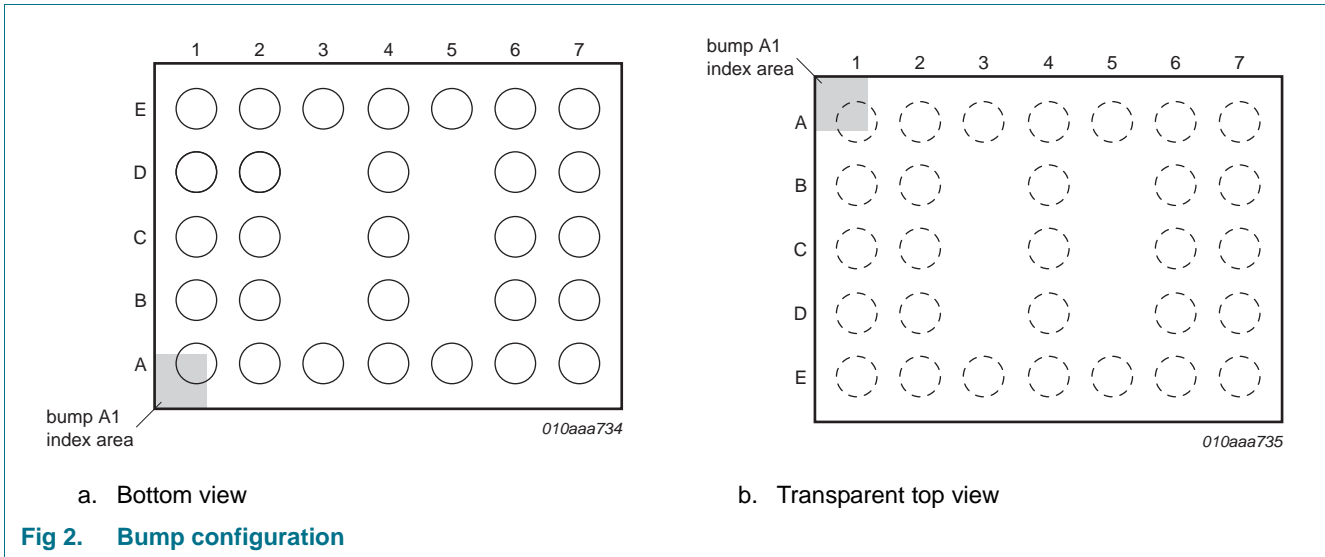


Fig 1. Block diagram

7. Pinning information

7.1 Pinning



	1	2	3	4	5	6	7
A	DATAI2	DATAO	DATAI1	DATAI3	ADS1	ADS2	OUTB
B	WS2	WS1		TEST3		V _{DDP}	GNDP
C	BCK2	BCK1		TEST4		TEST1	OUTA
D	n.c.	SCL		TEST5		TEST2	GNDB
E	n.c.	SDA	V _{DDD}	GNDD	V _{BAT}	BST	INB

Transparent top view

Fig 3. Bump mapping

Table 3. Pinning

Symbol	Pin	Type	Description
DATAI2	A1	I	digital audio data input 2
DATAO	A2	O	digital audio data output
DATAI1	A3	I	digital audio data input 1
DATAI3	A4	I	digital audio data input 3
ADS1	A5	I	address select input 1
ADS2	A6	I	address select input 2
OUTB	A7	O	inverting output
WS2	B1	I	digital audio word select input 2
WS1	B2	I	digital audio word select input 1
	B3		
TEST3	B4	I	test signal input 3; for test purposes only, connect to PCB ground
	B5		
V _{DDP}	B6	P	power supply voltage
GNDP	B7	P	power ground
BCK2	C1	I	digital audio bit clock input 2
BCK1	C2	I	digital audio bit clock input 1
	C3		
TEST4	C4	O	test signal input 4; for test purposes only, connect to PCB ground
	C5		
TEST1	C6	I	test signal input 1; for test purposes only, connect to V _{BST}
OUTA	C7	O	non-inverting output
n.c.	D1	-	not connected; connect to D2 or to PCB ground
SCL	D2	I	I ² C-bus clock input
	D3		
TEST5	D4	I	test signal input 5; for test purposes only, connect to PCB ground
	D5		
TEST2	D6	I	test signal input 2; for test purposes only, connect to V _{BST}
GND B	D7	P	boosted ground
n.c.	E1	-	not connected; connect to E2 or to PCB ground
SDA	E2	I/O	I ² C-bus data input/output
V _{DDD}	E3	P	digital supply voltage
GND D	E4	P	digital ground
V _{BAT}	E5	I	battery supply voltage sense input
V _{BST}	E6	O	boosted supply voltage output
INB	E7	P	DC-to-DC boost converter input

8. Functional description

The TFA9895 is a highly efficient mono Bridge Tied Load (BTL) class-D audio amplifier with a sophisticated speaker boost protection algorithm. [Figure 1](#) is a block diagram of the TFA9895.

The device contains three I²S input interfaces and one I²S output interface. One of I²S inputs DATA1 and DATA2 can be selected as the audio input stream. The third I²S input, DATA3, is provided to support stereo applications and the I²S pass-through option. The pass-through option is provided to allow an I²S output slave device (e.g. a CODEC), connected in parallel with the TFA9895, to be routed directly to the audio host via the I²S output.

The I²S output signal on DATA0 can be configured to transmit the DSP output signal, amplifier output current information, DATA3 Left or Right signal information or amplifier gain information. The gain information can be used to facilitate communication between two devices in stereo applications.

The speaker boost protection algorithm, running on a CoolFlux Digital Signal Processor (DSP) core, maximizes the acoustical output of the speaker while limiting membrane excursion and voice coil temperature to a safe level. The mechanical protection implemented guarantees that speaker membrane excursion never exceeds its rated limit, to an accuracy of 10 %. Thermal protection guarantees that the voice coil temperature never exceeds its rated limit, to an accuracy of ± 10 °C. Furthermore, advanced signal processing ensures that the audio quality is always acceptable.

The protection algorithm implements an adaptive loudspeaker model that is used to predict the extent of membrane excursion. The model is continuously updated to ensure that the protection scheme remains effective even when speaker parameter values change or the acoustic enclosure is modified.

The speaker boost protection algorithm boosts the output sound pressure level within given mechanical, thermal and quality limits. An optional Bandwidth extension mode extends the low frequency response up to a predefined limit before maximizing the output level. This mode is suitable for listening to high-quality music in quiet environments.

A multiband dynamic range compressor allows up to three frequency bands to be controlled independently to improve audio performance.

The frequency response of the TFA9895 can be modified via ten fully programmable cascaded second-order biquad filters. The first two biquads are processed with 48-bit double precision; biquads 3 to 8 are processed with 24-bit single precision.

At low battery voltage levels, the gain is automatically reduced to limit battery current.

The output volume can be controlled by the speaker boost protection algorithm or by the host application (external). In the latter case, the boost features of the speaker boost protection algorithm must be disabled to avoid neutralizing external volume control.

The speaker boost protection algorithm output is converted into two pulse width modulated (PWM) signals which are then injected into the class-D audio amplifier. The 3-level PWM scheme supports filterless speaker drive.

The adaptive DC-to-DC converter boosts the battery supply voltage in line with the output of the speaker boost protection algorithm. It switches to Follower mode ($V_{BST} = V_{BAT}$; no boost) when the audio output voltage is lower than the battery voltage.

8.1 Protection mechanisms

The following protection circuits are included in the TFA9895:

- OverTemperature Protection (OTP)
- OverVoltage Protection (OVP)
- UnderVoltage Protection (UVP)
- OverCurrent Protection (OCP)
- Invalid Data Protection (IDP)

The reaction of the device to fault conditions differs depending on the protection circuit involved.

8.1.1 OverTemperature Protection (OTP)

OTP prevents heat damage to the TFA9895. It is triggered when the junction temperature exceeds $T_{act(th_prot)}$. When OTP is activated, the output stages are set floating. OTP is cleared automatically via an internal timer (approximately 200 ms), after which the output stages start to operate normally again.

8.1.2 Supply voltage protection (UVP and OVP)

If V_{BAT} drops below the undervoltage protection threshold, $V_{P(uvp)}$, UVP is activated and the outputs are set floating. When the supply voltage rises above $V_{P(uvp)}$ again, the system will be restarted after approximately 200 ms.

If the power supply voltage (V_{DDP}) rises above the overvoltage protection threshold, $V_{P(ovp)}$, OVP is activated and the outputs are set floating. The power stages are re-enabled as soon as the supply voltage drops below $V_{P(ovp)}$ again. The system will be restarted after approximately 200 ms.

8.1.3 OverCurrent Protection (OCP)

OCP detects a short circuit across the load or between one of the amplifier outputs and one of the supply lines. When the output current exceeds the overcurrent protection threshold ($I_{O(ocp)}$), it is limited to $I_{O(ocp)}$ while the amplifier outputs are switching (the amplifier is not powered down completely). This feature is called current limiting. The amplifier can distinguish between an impedance drop at the loudspeaker and a low-ohmic short circuit across the load or to one of the supply lines. The impedance threshold depends on which supply voltage is being used.

8.1.4 Invalid Data Protection (IDP)

IDP checks if the word select signal is correctly connected to the TFA9895. If the bit clock/word select (BCK-to-WS) ratio is not stable, the IDP alarm is raised and the TFA9895 powers down, deactivating the DSP. The TFA9895 starts up again automatically when the BCK-to-WS ratio stabilizes. So, in practice, stable word select and bit clock signals are needed for the TFA9895 to exit Power-down mode and also when loading DSP settings.

9. Limiting values

Table 4. Limiting values

In accordance with the Absolute Maximum Rating System (IEC 60134).

Symbol	Parameter	Conditions	Min	Max	Unit
V _{BAT}	battery supply voltage	on pin V _{BAT}	-0.3	+5.5	V
V _{DDP}	power supply voltage	on pin V _{DDP}	-0.3	+5.5	V
V _{DDD}	digital supply voltage	on pin V _{DDD}	-0.3	+1.95	V
T _j	junction temperature		-	+150	°C
T _{stg}	storage temperature		-55	+150	°C
T _{amb}	ambient temperature		-40	+85	°C
V _{ESD}	electrostatic discharge voltage	according to Human Body Model (HBM)	-2	+2	kV
		according to Charge Device Model (CDM)	-500	+500	V

10. Thermal characteristics

Table 5. Thermal characteristics

Symbol	Parameter	Conditions	Typ	Unit
R _{th(j-a)}	thermal resistance from junction to ambient	in free air; natural convection	-	
		4-layer application board	60	K/W

11. Characteristics

11.1 DC Characteristics

Table 6. DC characteristics

All parameters are guaranteed for V_{BAT} = 3.6 V; V_{DDD} = 1.8 V; V_{DDP} = V_{BST} = 5.3 V; L_{BST} = 1 μH[1]; R_L = 4 Ω[1]; L_L = 20 μH[1]; f_i = 1 kHz; f_s = 48 kHz; T_{amb} = 25 °C; default settings, unless otherwise specified.

Symbol	Parameter	Conditions	Min	Typ	Max	Unit
V _{BAT}	battery supply voltage	on pin V _{BAT}	2.5	-	5.5	V
V _{DDP}	power supply voltage	on pin V _{DDP}	2.5	-	5.5	V
V _{DDD}	digital supply voltage	on pin V _{DDD}	1.65	1.8	1.95	V
I _{BAT}	battery supply current	on pin V _{BAT} and in the DC-to-DC converter coil; Operating modes with load; DC-to-DC converter in Adaptive boost mode (no output signal)	-	1.55	-	mA
		on pin V _{BAT} and in the DC-to-DC converter coil; Power-down mode	-	-	1	μA
I _{DDD}	digital supply current	on pin V _{DDD} ; Operating modes; speaker boost Protection activated	-	20	-	mA
		on pin V _{DDD} ; Operating modes; CoolFlux DSP bypassed	-	4.8	-	mA
		on pin V _{DDD} ; Power-down mode; BCK1 = WS1 = DATA1 = BCK2 = WS2 = DATA2 = DATA3 = 0 V	-	10	-	μA

Table 6. DC characteristics ...continued

All parameters are guaranteed for $V_{BAT} = 3.6\text{ V}$; $V_{DDD} = 1.8\text{ V}$; $V_{DDP} = V_{BST} = 5.3\text{ V}$; $L_{BST} = 1\ \mu\text{H}$ [1]; $R_L = 4\ \Omega$ [1]; $L_L = 20\ \mu\text{H}$ [1]; $f_i = 1\text{ kHz}$; $f_s = 48\text{ kHz}$; $T_{amb} = 25\text{ }^\circ\text{C}$; default settings, unless otherwise specified.

Symbol	Parameter	Conditions	Min	Typ	Max	Unit
Pins BCK1, WS1, DATA1, BCK2, WS2, DATA2, DATA3, ADS1, ADS2, SCL, SDA						
V_{IH}	HIGH-level input voltage		$0.7V_{DDD}$	-	3.6	V
V_{IL}	LOW-level input voltage		-	-	$0.3V_{DDD}$	V
C_{in}	input capacitance		[2]	-	3	pF
I_{LI}	input leakage current	1.8 V on input pin	-	-	0.1	μA
Pins DATA0, push-pull output stages						
V_{OH}	HIGH-level output voltage	$I_{OH} = 4\text{ mA}$	-	-	$V_{DDD} - 0.4$	V
V_{OL}	LOW-level output voltage	$I_{OL} = 4\text{ mA}$	-	-	400	mV
Pins SDA, open-drain outputs, external 10 kΩ resistor to V_{DDD}						
V_{OH}	HIGH-level output voltage	$I_{OH} = 4\text{ mA}$	-	-	$V_{DDD} - 0.4$	V
V_{OL}	LOW-level output voltage	$I_{OL} = 4\text{ mA}$	-	-	400	mV
Pins OUTA, OUTB						
R_{DSon}	drain-source on-state resistance	$V_{DDP} = 5.3\text{ V}$	-	100	-	m Ω
Protection						
$T_{act(th_prot)}$	thermal protection activation temperature		130	-	150	$^\circ\text{C}$
$V_{P(ovp)}$	overvoltage protection supply voltage	protection on V_{DDP}	5.5	-	6.0	V
$V_{P(uvp)}$	undervoltage protection supply voltage	protection on V_{BAT}	2.3	-	2.5	V
$I_{O(ocp)}$	overcurrent protection output current		1.45	-	-	A
DC-to-DC converter						
$V_{O(VBST)}$	output voltage on pin V_{BST}	boosted supply voltage when nominal voltage programmed to 5.3 V	5.25	5.3	5.35	V

[1] L_{BST} = boot converter inductance; R_L = load resistance; L_L = load inductance (speaker).

[2] This parameter is not tested during production; value is guaranteed by design and checked during product validation.

11.2 AC characteristics

Table 7. AC characteristics

All parameters are guaranteed for $V_{BAT} = 3.6\text{ V}$; $V_{DDD} = 1.8\text{ V}$; $V_{DDP} = V_{BST} = 5.3\text{ V}$; $L_{BST} = 1\text{ }\mu\text{H}$ ^[1]; $R_L = 4\text{ }\Omega$ ^[1]; $L_L = 20\text{ }\mu\text{H}$ ^[1]; $f_i = 1\text{ kHz}$; $f_s = 48\text{ kHz}$; $T_{amb} = 25\text{ }^\circ\text{C}$; default settings, unless otherwise specified.

Symbol	Parameter	Conditions	Min	Typ	Max	Unit	
Amplifier output power							
$P_{o(RMS)}$	RMS output power	THD+N = 1 %; CLIP = 00					
		$R_L = 4\text{ }\Omega$; $f_s = 48\text{ kHz}$	-	2.55	-	W	
		$R_L = 4\text{ }\Omega$; $f_s = 32\text{ kHz}$	-	2.65	-	W	
		$R_L = 8\text{ }\Omega$; $f_s = 48\text{ kHz}$	-	1.5	-	W	
		$R_L = 8\text{ }\Omega$; $f_s = 32\text{ kHz}$	-	1.65	-	W	
		THD+N = 1 %; CLIP = 10					
		$R_L = 4\text{ }\Omega$; $f_s = 48\text{ kHz}$	-	2.35	-	W	
		$R_L = 4\text{ }\Omega$; $f_s = 32\text{ kHz}$	-	2.55	-	W	
		$R_L = 8\text{ }\Omega$; $f_s = 48\text{ kHz}$	-	1.25	-	W	
		$R_L = 8\text{ }\Omega$; $f_s = 32\text{ kHz}$	-	1.4	-	W	
		THD+N = 10 %; CLIP = 00					
		$R_L = 4\text{ }\Omega$; $f_s = 48\text{ kHz}$	-	3.75	-	W	
		$R_L = 4\text{ }\Omega$; $f_s = 32\text{ kHz}$	-	3.75	-	W	
		$R_L = 8\text{ }\Omega$; $f_s = 48\text{ kHz}$	-	2	-	W	
$R_L = 8\text{ }\Omega$; $f_s = 32\text{ kHz}$	-	2	-	W			
Amplifier output; pins OUTA and OUTB							
$ V_{O(offset)} $	output offset voltage	absolute value	-	-	1	mV	
Amplifier performance							
η_{po}	output power efficiency	including DC-to-DC converter; $P_{o(RMS)}$ = 2.65 W; ^[2]	-	80	-	%	
THD+N	total harmonic distortion-plus-noise	$P_{o(RMS)} = 100\text{ mW}$; $R_L = 8\text{ }\Omega$; $L_L = 44\text{ }\mu\text{H}$ ^[2]	-	0.03	0.1	%	
$V_{n(o)}$	output noise voltage	A-weighted; DATA11 = DATA12 = 0 V					
		CoolFlux DSP disabled and bypassed	-	31	-	μV	
		CoolFlux DSP enabled ^[2]	-	45	-	μV	
S/N	signal-to-noise ratio	$V_O = 4.5\text{ V}$ (peak); A-weighted					
		CoolFlux DSP disabled and bypassed	-	100	-	dB	
		CoolFlux DSP enabled ^[2]	-	97	-	dB	
PSRR	power supply rejection ratio	$V_{ripple} = 200\text{ mV}$ (RMS); $f_{ripple} = 217\text{ Hz}$	-	90	-	dB	
Amplifier power-up, power-down and propagation delays							
$t_{d(on)}$	turn-on delay time	PLL locked on BCK (IPLL = 0)					
		$f_s = 8\text{ kHz}$ to 48 kHz	-	-	2	ms	
		PLL locked on WS (IPLL = 1)					
		$f_s = 8\text{ kHz}$	-	-	27	ms	
$t_{d(off)}$	turn-off delay time	$f_s = 48\text{ kHz}$	-	-	6	ms	
			-	-	10	μs	

Table 7. AC characteristics

All parameters are guaranteed for $V_{BAT} = 3.6\text{ V}$; $V_{DDD} = 1.8\text{ V}$; $V_{DDP} = V_{BST} = 5.3\text{ V}$; $L_{BST} = 1\text{ }\mu\text{H}$ [1]; $R_L = 4\text{ }\Omega$ [1]; $L_L = 20\text{ }\mu\text{H}$ [1]; $f_i = 1\text{ kHz}$; $f_s = 48\text{ kHz}$; $T_{amb} = 25\text{ }^\circ\text{C}$; default settings, unless otherwise specified.

Symbol	Parameter	Conditions	Min	Typ	Max	Unit	
$t_{d(\text{mute_off})}$	mute off delay time		-	1	-	ms	
$t_{d(\text{soft_mute})}$	soft mute delay time		-	1	-	ms	
t_{PD}	propagation delay	CoolFlux bypassed					
		$f_s = 8\text{ kHz}$	-	-	3.2	ms	
		$f_s = 48\text{ kHz}$	-	-	600	μs	
		speaker boost protection mode, $t_{\text{LookAhead}} = 2\text{ ms}$					
		$f_s = 8\text{ kHz}$	-	-	14	ms	
		$f_s = 48\text{ kHz}$	-	-	4	ms	

[1] L_{BST} = boost converter inductor; R_L = load resistance; L_L = load inductance (speaker).

[2] This parameter is not tested during production; value is guaranteed by design and checked during product validation.

12. Application information

12.1 Application diagrams

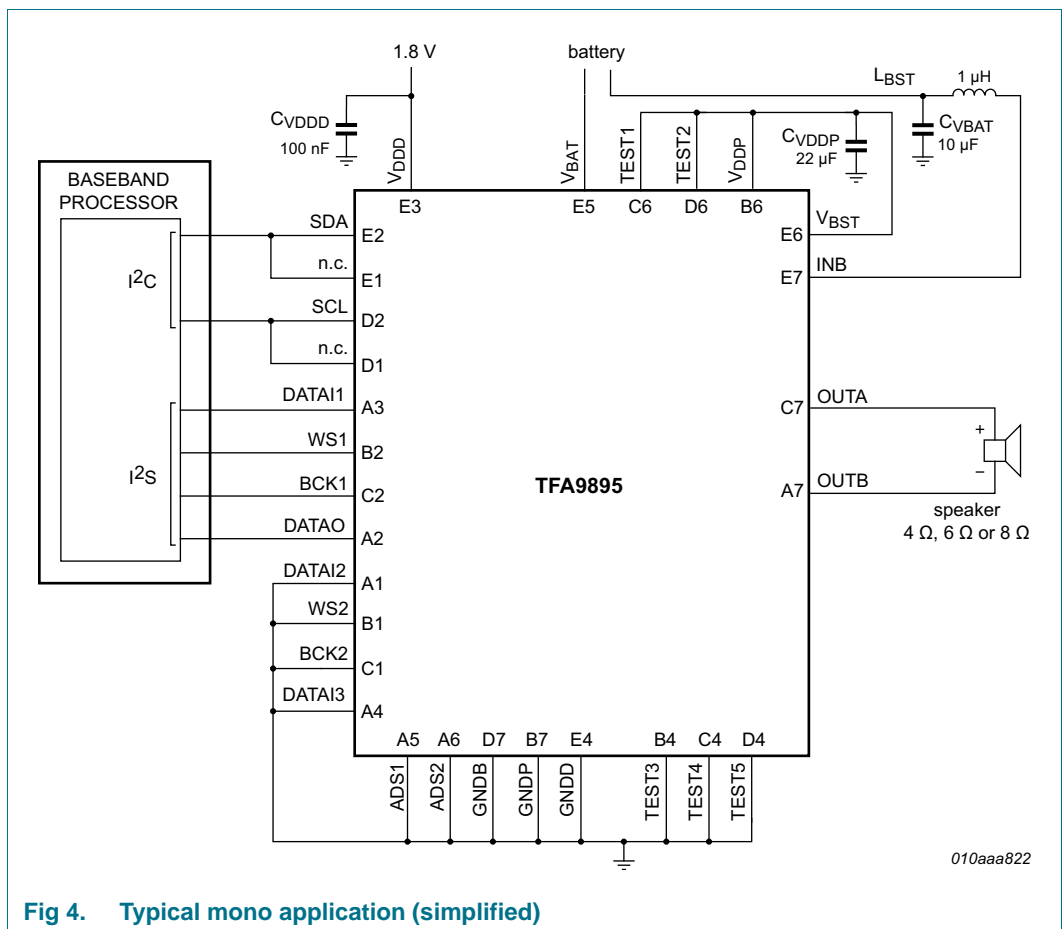
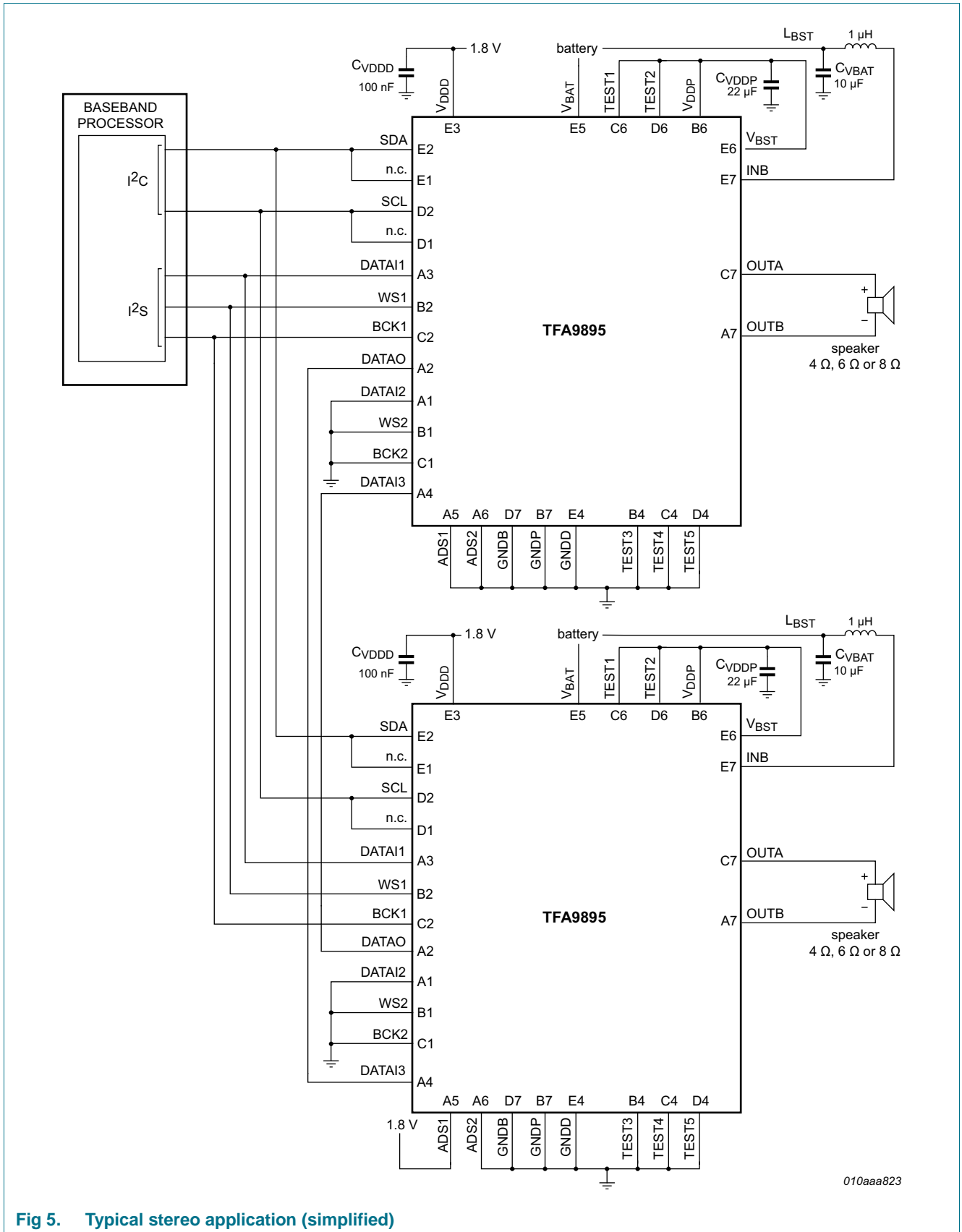
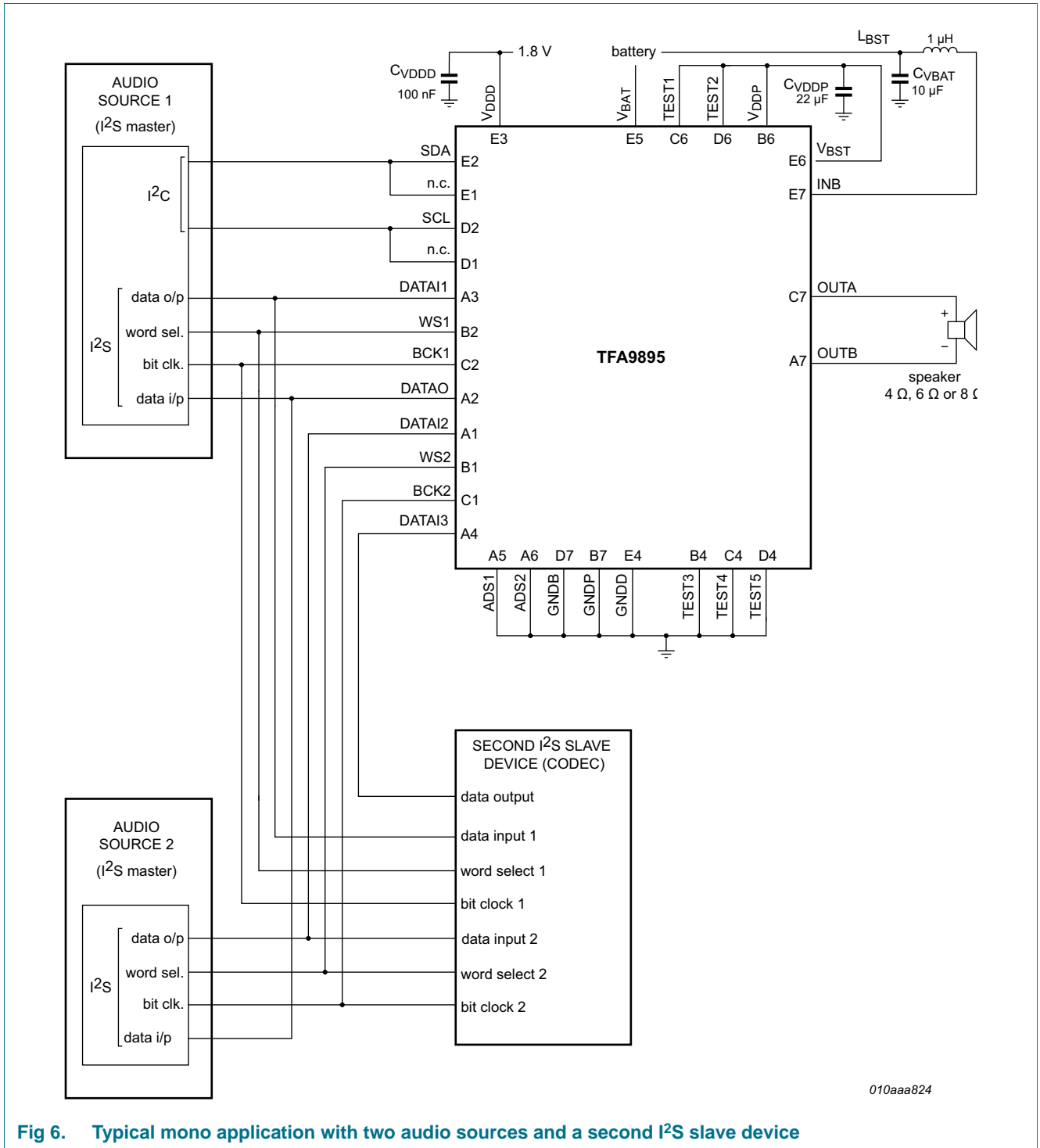


Fig 4. Typical mono application (simplified)



010aaa823

Fig 5. Typical stereo application (simplified)



010aaa824

Fig 6. Typical mono application with two audio sources and a second I²S slave device

13. Package outline

WLCSP29: wafer level chip-size package; 29 bumps; 3.19 x 2.07 mm

TFA9895

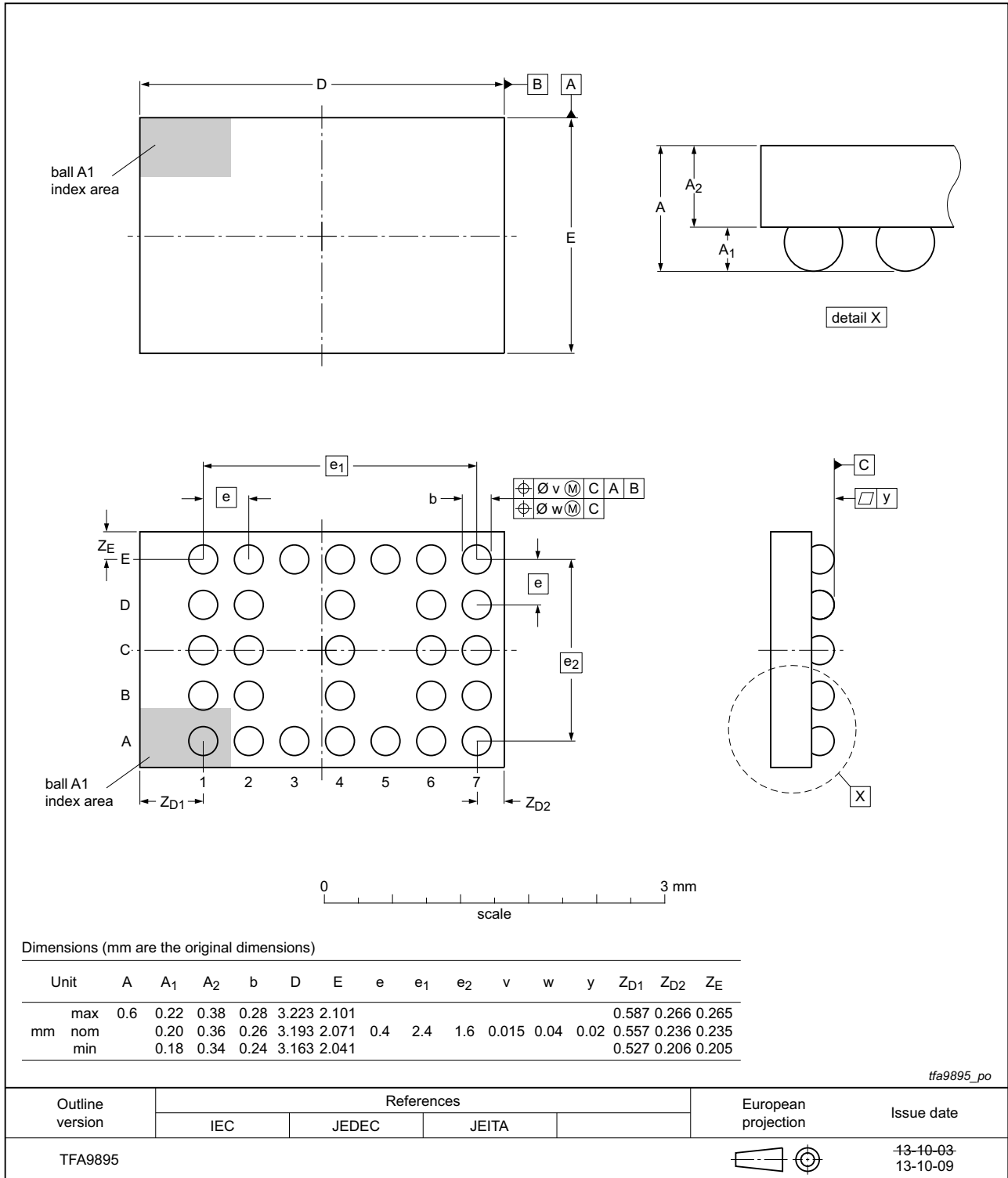


Fig 7. Package outline TFA9895 (WLCSP29)

14. Soldering of WLCSP packages

14.1 Introduction to soldering WLCSP packages

This text provides a very brief insight into a complex technology. A more in-depth account of soldering WLCSP (Wafer Level Chip-Size Packages) can be found in application note AN10439 “Wafer Level Chip Scale Package” and in application note AN10365 “Surface mount reflow soldering description”.

Wave soldering is not suitable for this package.

All NXP WLCSP packages are lead-free.

14.2 Board mounting

Board mounting of a WLCSP requires several steps:

1. Solder paste printing on the PCB
2. Component placement with a pick and place machine
3. The reflow soldering itself

14.3 Reflow soldering

Key characteristics in reflow soldering are:

- Lead-free versus SnPb soldering; note that a lead-free reflow process usually leads to higher minimum peak temperatures (see [Figure 8](#)) than a SnPb process, thus reducing the process window
- Solder paste printing issues, such as smearing, release, and adjusting the process window for a mix of large and small components on one board
- Reflow temperature profile; this profile includes preheat, reflow (in which the board is heated to the peak temperature), and cooling down. It is imperative that the peak temperature is high enough for the solder to make reliable solder joints (a solder paste characteristic) while being low enough that the packages and/or boards are not damaged. The peak temperature of the package depends on package thickness and volume and is classified in accordance with [Table 8](#).

Table 8. Lead-free process (from J-STD-020D)

Package thickness (mm)	Package reflow temperature (°C)		
	Volume (mm ³)		
	< 350	350 to 2000	> 2000
< 1.6	260	260	260
1.6 to 2.5	260	250	245
> 2.5	250	245	245

Moisture sensitivity precautions, as indicated on the packing, must be respected at all times.

Studies have shown that small packages reach higher temperatures during reflow soldering, see [Figure 8](#).

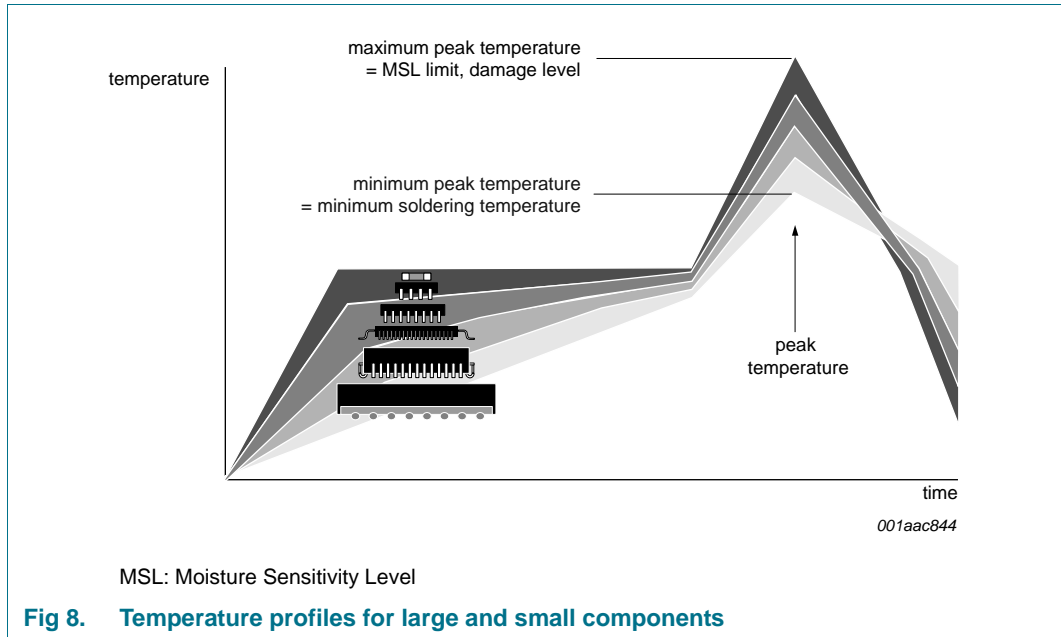


Fig 8. Temperature profiles for large and small components

For further information on temperature profiles, refer to application note AN10365 “Surface mount reflow soldering description”.

14.3.1 Stand off

The stand off between the substrate and the chip is determined by:

- The amount of printed solder on the substrate
- The size of the solder land on the substrate
- The bump height on the chip

The higher the stand off, the better the stresses are released due to TEC (Thermal Expansion Coefficient) differences between substrate and chip.

14.3.2 Quality of solder joint

A flip-chip joint is considered to be a good joint when the entire solder land has been wetted by the solder from the bump. The surface of the joint should be smooth and the shape symmetrical. The soldered joints on a chip should be uniform. Voids in the bumps after reflow can occur during the reflow process in bumps with high ratio of bump diameter to bump height, i.e. low bumps with large diameter. No failures have been found to be related to these voids. Solder joint inspection after reflow can be done with X-ray to monitor defects such as bridging, open circuits and voids.

14.3.3 Rework

In general, rework is not recommended. By rework we mean the process of removing the chip from the substrate and replacing it with a new chip. If a chip is removed from the substrate, most solder balls of the chip will be damaged. In that case it is recommended not to re-use the chip again.

Device removal can be done when the substrate is heated until it is certain that all solder joints are molten. The chip can then be carefully removed from the substrate without damaging the tracks and solder lands on the substrate. Removing the device must be done using plastic tweezers, because metal tweezers can damage the silicon. The surface of the substrate should be carefully cleaned and all solder and flux residues and/or underfill removed. When a new chip is placed on the substrate, use the flux process instead of solder on the solder lands. Apply flux on the bumps at the chip side as well as on the solder pads on the substrate. Place and align the new chip while viewing with a microscope. To reflow the solder, use the solder profile shown in application note AN10365 "Surface mount reflow soldering description".

14.3.4 Cleaning

Cleaning can be done after reflow soldering.

15. Revision history

Table 9. Revision history

Document ID	Release date	Data sheet status	Change notice	Supersedes
TFA9895_SDS v.1	20131023	Product data sheet	-	-

16. Legal information

16.1 Data sheet status

Document status ^{[1][2]}	Product status ^[3]	Definition
Objective [short] data sheet	Development	This document contains data from the objective specification for product development.
Preliminary [short] data sheet	Qualification	This document contains data from the preliminary specification.
Product [short] data sheet	Production	This document contains the product specification.

[1] Please consult the most recently issued document before initiating or completing a design.

[2] The term 'short data sheet' is explained in section "Definitions".

[3] The product status of device(s) described in this document may have changed since this document was published and may differ in case of multiple devices. The latest product status information is available on the Internet at URL <http://www.nxp.com>.

16.2 Definitions

Draft — The document is a draft version only. The content is still under internal review and subject to formal approval, which may result in modifications or additions. NXP Semiconductors does not give any representations or warranties as to the accuracy or completeness of information included herein and shall have no liability for the consequences of use of such information.

Short data sheet — A short data sheet is an extract from a full data sheet with the same product type number(s) and title. A short data sheet is intended for quick reference only and should not be relied upon to contain detailed and full information. For detailed and full information see the relevant full data sheet, which is available on request via the local NXP Semiconductors sales office. In case of any inconsistency or conflict with the short data sheet, the full data sheet shall prevail.

Product specification — The information and data provided in a Product data sheet shall define the specification of the product as agreed between NXP Semiconductors and its customer, unless NXP Semiconductors and customer have explicitly agreed otherwise in writing. In no event however, shall an agreement be valid in which the NXP Semiconductors product is deemed to offer functions and qualities beyond those described in the Product data sheet.

16.3 Disclaimers

Limited warranty and liability — Information in this document is believed to be accurate and reliable. However, NXP Semiconductors does not give any representations or warranties, expressed or implied, as to the accuracy or completeness of such information and shall have no liability for the consequences of use of such information. NXP Semiconductors takes no responsibility for the content in this document if provided by an information source outside of NXP Semiconductors.

In no event shall NXP Semiconductors be liable for any indirect, incidental, punitive, special or consequential damages (including - without limitation - lost profits, lost savings, business interruption, costs related to the removal or replacement of any products or rework charges) whether or not such damages are based on tort (including negligence), warranty, breach of contract or any other legal theory.

Notwithstanding any damages that customer might incur for any reason whatsoever, NXP Semiconductors' aggregate and cumulative liability towards customer for the products described herein shall be limited in accordance with the *Terms and conditions of commercial sale* of NXP Semiconductors.

Right to make changes — NXP Semiconductors reserves the right to make changes to information published in this document, including without limitation specifications and product descriptions, at any time and without notice. This document supersedes and replaces all information supplied prior to the publication hereof.

Suitability for use — NXP Semiconductors products are not designed, authorized or warranted to be suitable for use in life support, life-critical or safety-critical systems or equipment, nor in applications where failure or malfunction of an NXP Semiconductors product can reasonably be expected to result in personal injury, death or severe property or environmental damage. NXP Semiconductors and its suppliers accept no liability for inclusion and/or use of NXP Semiconductors products in such equipment or applications and therefore such inclusion and/or use is at the customer's own risk.

Applications — Applications that are described herein for any of these products are for illustrative purposes only. NXP Semiconductors makes no representation or warranty that such applications will be suitable for the specified use without further testing or modification.

Customers are responsible for the design and operation of their applications and products using NXP Semiconductors products, and NXP Semiconductors accepts no liability for any assistance with applications or customer product design. It is customer's sole responsibility to determine whether the NXP Semiconductors product is suitable and fit for the customer's applications and products planned, as well as for the planned application and use of customer's third party customer(s). Customers should provide appropriate design and operating safeguards to minimize the risks associated with their applications and products.

NXP Semiconductors does not accept any liability related to any default, damage, costs or problem which is based on any weakness or default in the customer's applications or products, or the application or use by customer's third party customer(s). Customer is responsible for doing all necessary testing for the customer's applications and products using NXP Semiconductors products in order to avoid a default of the applications and the products or of the application or use by customer's third party customer(s). NXP does not accept any liability in this respect.

Limiting values — Stress above one or more limiting values (as defined in the Absolute Maximum Ratings System of IEC 60134) will cause permanent damage to the device. Limiting values are stress ratings only and (proper) operation of the device at these or any other conditions above those given in the Recommended operating conditions section (if present) or the Characteristics sections of this document is not warranted. Constant or repeated exposure to limiting values will permanently and irreversibly affect the quality and reliability of the device.

Terms and conditions of commercial sale — NXP Semiconductors products are sold subject to the general terms and conditions of commercial sale, as published at <http://www.nxp.com/profile/terms>, unless otherwise agreed in a valid written individual agreement. In case an individual agreement is concluded only the terms and conditions of the respective agreement shall apply. NXP Semiconductors hereby expressly objects to applying the customer's general terms and conditions with regard to the purchase of NXP Semiconductors products by customer.

No offer to sell or license — Nothing in this document may be interpreted or construed as an offer to sell products that is open for acceptance or the grant, conveyance or implication of any license under any copyrights, patents or other industrial or intellectual property rights.

Export control — This document as well as the item(s) described herein may be subject to export control regulations. Export might require a prior authorization from competent authorities.

Quick reference data — The Quick reference data is an extract of the product data given in the Limiting values and Characteristics sections of this document, and as such is not complete, exhaustive or legally binding.

Non-automotive qualified products — Unless this data sheet expressly states that this specific NXP Semiconductors product is automotive qualified, the product is not suitable for automotive use. It is neither qualified nor tested in accordance with automotive testing or application requirements. NXP Semiconductors accepts no liability for inclusion and/or use of non-automotive qualified products in automotive equipment or applications.

In the event that customer uses the product for design-in and use in automotive applications to automotive specifications and standards, customer (a) shall use the product without NXP Semiconductors' warranty of the product for such automotive applications, use and specifications, and (b) whenever customer uses the product for automotive applications beyond NXP Semiconductors' specifications such use shall be solely at customer's own risk, and (c) customer fully indemnifies NXP Semiconductors for any liability, damages or failed product claims resulting from customer design and use of the product for automotive applications beyond NXP Semiconductors' standard warranty and NXP Semiconductors' product specifications.

16.4 Trademarks

Notice: All referenced brands, product names, service names and trademarks are the property of their respective owners.

17. Contact information

For more information, please visit: <http://www.nxp.com>

For sales office addresses, please send an email to: salesaddresses@nxp.com

18. Contents

1	General description	1
2	Features and benefits	2
3	Applications	2
4	Quick reference data	3
5	Ordering information	3
6	Block diagram	4
7	Pinning information	5
7.1	Pinning	5
8	Functional description	7
8.1	Protection mechanisms	8
8.1.1	OverTemperature Protection (OTP)	8
8.1.2	Supply voltage protection (UVP and OVP)	8
8.1.3	OverCurrent Protection (OCP)	8
8.1.4	Invalid Data Protection (IDP)	8
9	Limiting values	9
10	Thermal characteristics	9
11	Characteristics	9
11.1	DC Characteristics	9
11.2	AC characteristics	11
12	Application information	12
12.1	Application diagrams	12
13	Package outline	15
14	Soldering of WLCSP packages	16
14.1	Introduction to soldering WLCSP packages ..	16
14.2	Board mounting	16
14.3	Reflow soldering	16
14.3.1	Stand off	17
14.3.2	Quality of solder joint	17
14.3.3	Rework	17
14.3.4	Cleaning	18
15	Revision history	18
16	Legal information	19
16.1	Data sheet status	19
16.2	Definitions	19
16.3	Disclaimers	19
16.4	Trademarks	20
17	Contact information	20
18	Contents	21

Please be aware that important notices concerning this document and the product(s) described herein, have been included in section 'Legal information'.

© NXP B.V. 2013.

All rights reserved.

For more information, please visit: <http://www.nxp.com>

For sales office addresses, please send an email to: salesaddresses@nxp.com

Date of release: 23 October 2013

Document identifier: TFA9895_SDS