

Type: TFB-3D

Product Description

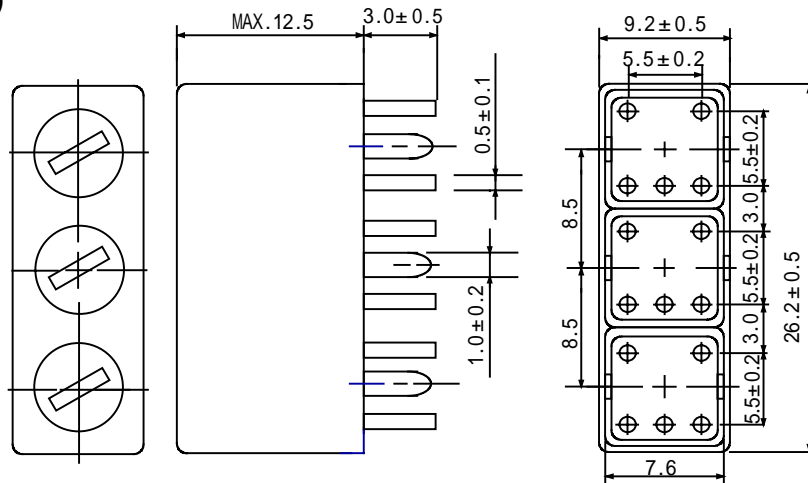
- 26.7 × 9.7mm Max.(L × W), 12.5mm Max. Height.
- Operating frequency:10~200kHz
- In addition to the reference versions of parameters shown here, custom designs are available to meet your exact requirements

www.DataSheet4U.com

Feature

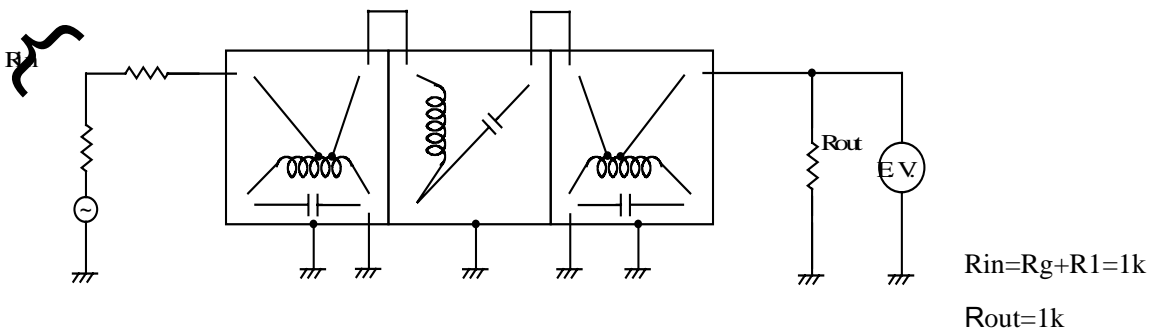
- Variable shielded type with three individual coils combined.
- Two capacitors can be internally mounted in one section.
- Ideally used in VCR, Video Cameras as Audio LC filters(LPF, BPF, Delay Line and Equalizers).
- RoHS Compliance

Dimensions (mm)



- * Dimension does not include solder used on coil.
- * Pin pitch should be measured at the root of terminal.

Testing circuit

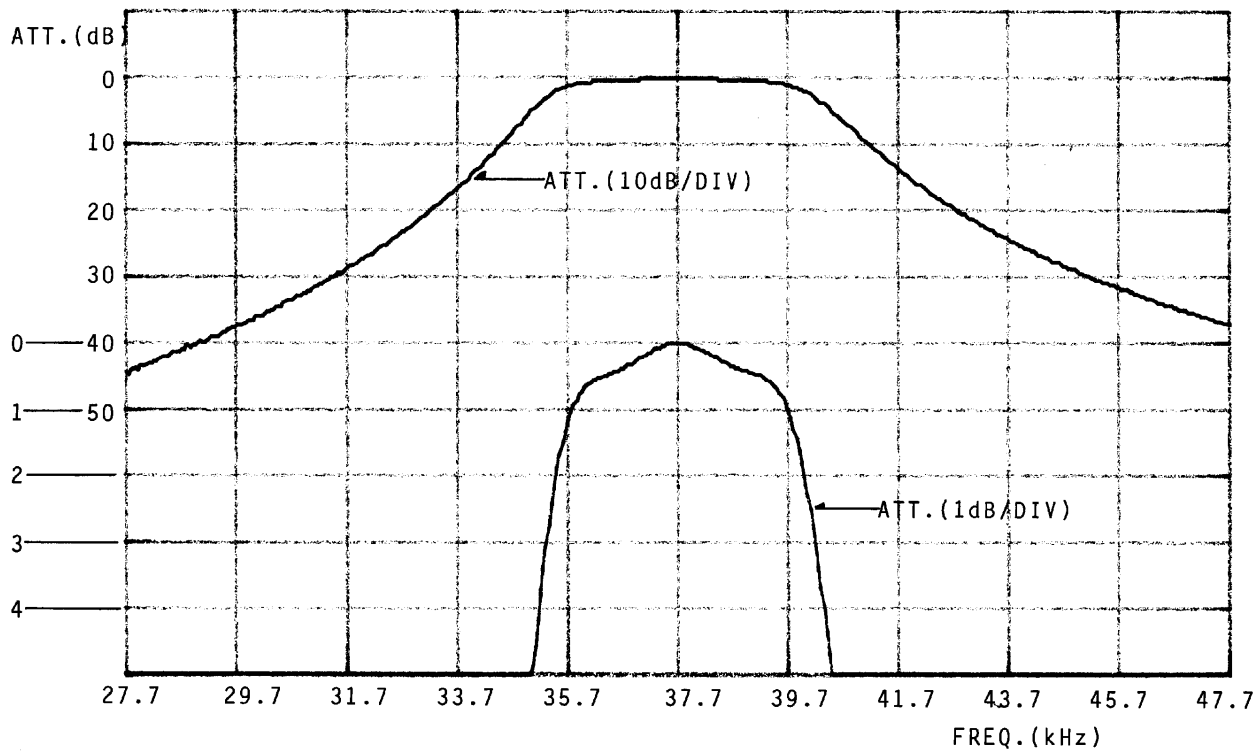


Type: TFB-3D
Specification (Part No: 4508-T003)

Item	Specification
Input impedance (Rin)	1kΩ
Output impedance (Rout)	1kΩ
Center frequency	37.7kHz
Attenuation	35.7kHz
	39.7kHz
	32.0kHz
	44.0kHz
Insertion loss	37.7kHz
	2.0dB±2.0dB within

Frequency Response (Attenuation 0dB at 37.7KHz)

37.7kHz B.P.F.



Please refer to the sales offices on our website for a representative near you

www.sumida.com

2/2