

VI TELEFILTER	Filter specification	TFS 110R	1/5
----------------------	-----------------------------	-----------------	------------

Measurement condition

Ambient temperature: 23°C
 Input power level: 0 dBm
 Terminating impedances
 for input: 2,9 kΩ || -6.2 pF
 for output: 2,8 kΩ || -5.5 pF

Characteristics

Remark:

Reference level for the relative attenuation a_{rel} of the TFS 110 R is the minimum of the pass band attenuation a_{min} . The minimum of the pass band attenuation a_{min} is defined as the insertion loss a_e . The reference frequency f_c is the arithmetic mean value of the upper and lower frequencies at the 30 dB filter attenuation level relative to the insertion loss a_e .

D a t a	typ. value	tolerance / limit
Insertion loss (reference level) $a_e = a_{min}$	8 dB	max. 10 dB
Reference frequency f_c (30 dB-BW)	110,0 MHz	± 60 kHz
Pass band shape (3 dB-BW)		Gaussian -
3 dB bandwidth BW	965 kHz	-
10 dB bandwidth	1695 kHz	-
20 dB bandwidth	2255 kHz	-
30 dB bandwidth	2600 kHz	-
40 dB bandwidth	2840 kHz	-
Relative attenuation a_{rel}		
$f_c + 475$ kHz	-	max. 3 dB
$f_c - 425$ kHz	-	max. 3 dB
$f_c ± 800$ kHz	-	min. 10 dB
$f_c + 1200$ kHz	-	min. 20 dB
$f_c - 1210$ kHz	-	min. 20 dB
$f_c + 1375$ kHz	-	min. 30 dB
$f_c - 1395$ kHz	-	min. 30 dB
$f_c + 1500$ kHz ... $f_c + 5$ MHz	> 40 dB	min. 35 dB
$f_c + 5$ MHz ... $f_c + 10$ MHz	> 40 dB	min. 30 dB
$f_c - 1535$ kHz ... $f_c - 10$ MHz	> 45 dB	min. 40 dB
Group delay GD		
Ripple $f_c ± 576$ kHz	250 ns	max. 400 ns
Temperature coefficient TC 2nd order *)	- 0,032 ppm/K ²	-
Frequency inversion temperature T_o	t.b.d.	
Operating temperature range		- 10 °C ... + 60 °C
Storage temperature range		- 40 °C ... + 85 °C
Input power level	-	max. + 10 dBm

*) - Δf (Hz) = TC (ppm/K²) x (T - T₀)² x F_{T0} (MHz)

Generated: _____

Checked / approved: _____

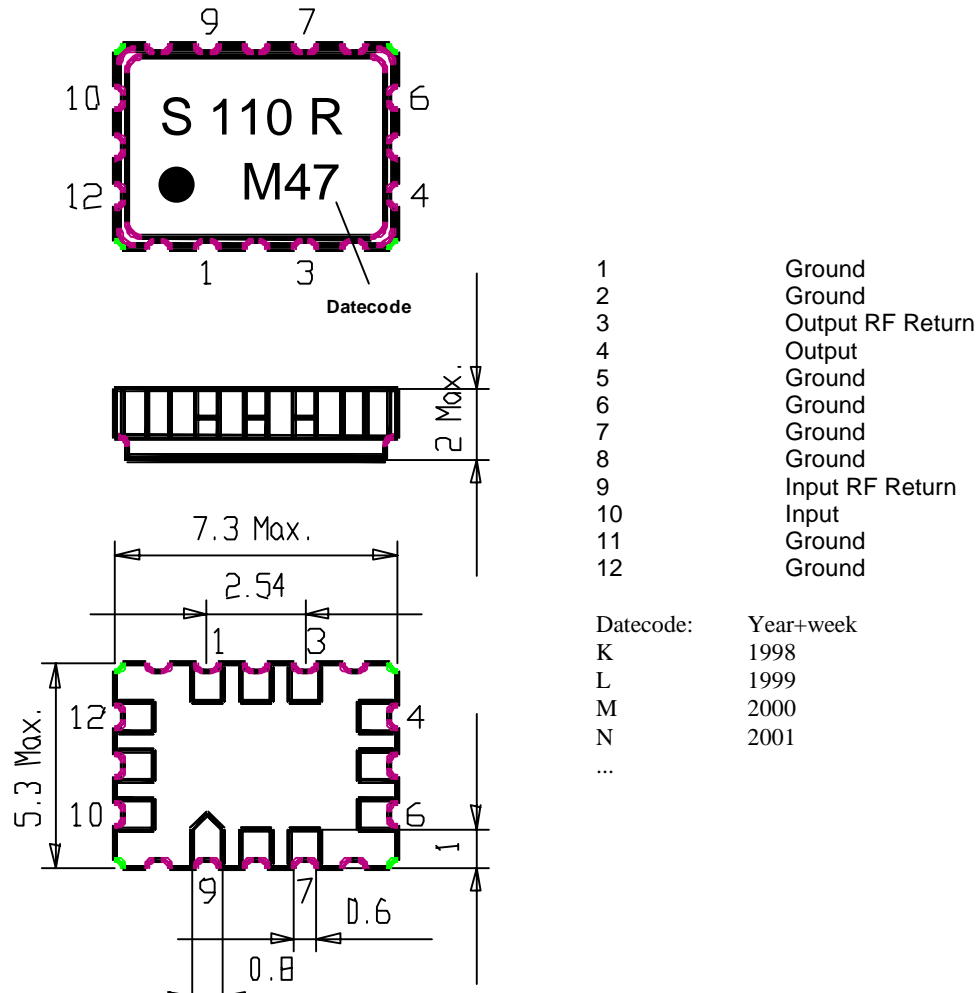
VI TELEFILTER
 Potsdamer Straße 18
 D 14 513 TELTOW / Germany
 Tel: (+49) 3328 4784- 0/ Fax: (+49) 3328 4784-30
 E-Mail: tft@telefilter.com

Vectron International, Inc.
 267 Lowell Road
 Hudson, NH 03051 / USA
 Tel: (603) 598-0070 Fax: (603) 598-0075
 E-Mail: vti@vtinh.com

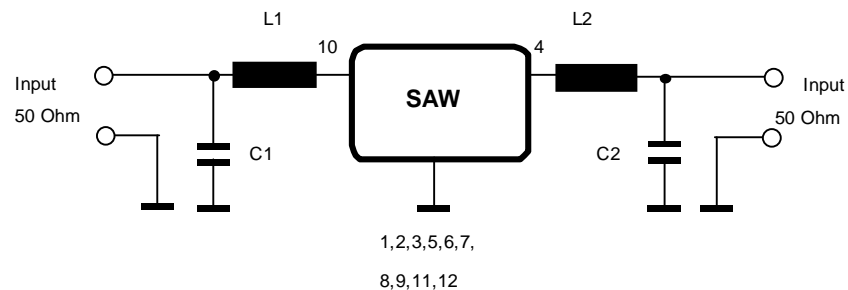
VI TELEFILTER reserves the right to make changes to the product(s) and/or information contained herein without notice. No liability is assumed as a result of their use or application. No rights under any patent accompany the sale of any such product(s) or information.

VI TELEFILTER**Filter specification****TFS 110R****2/5****Construction and pin connection**

(All dimensions in mm)



www.DataSheet4U.com

50 Ω test circuit

VI TELEFILTER
 Potsdamer Straße 18
 D 14 513 TELTOW / Germany
 Tel: (+49) 3328 4784- 0/ Fax: (+49) 3328 4784-30
 E-Mail: tft@telefilter.com

Vectron International, Inc.
 267 Lowell Road
 Hudson, NH 03051 / USA
 Tel: (603) 598-0070 Fax: (603) 598-0075
 E-Mail: vti@vtinh.com

VI TELEFILTER reserves the right to make changes to the product(s) and/or information contained herein without notice. No liability is assumed as a result of their use or application. No rights under any patent accompany the sale of any such product(s) or information.

VI TELEFILTER**Filter specification****TFS 110R****3/5****Stability Characteristics**

After the following tests the filter shall meet the whole specification:

1. Shock: 500g, 18 ms, half sine wave, 3 shocks each plane;
DIN IEC 68 T2 - 27
2. Vibration: 10 Hz to 500 Hz, 0,35 mm or 5g respectively, 1 octave per min, 10 cycles per plan, 3 plans;
DIN IEC 68 T2 - 6
3. Damp heat: 25 °C to 55°C / 95% r.H. / 10 cycles
(cycle) DIN IEC 68 - 2 – 30 Db
4. Resistance to solder heat (reflow): max. 2 times reflow process;
for temperature conditions refer to the attached "Air reflow temperature conditions" on page 4;

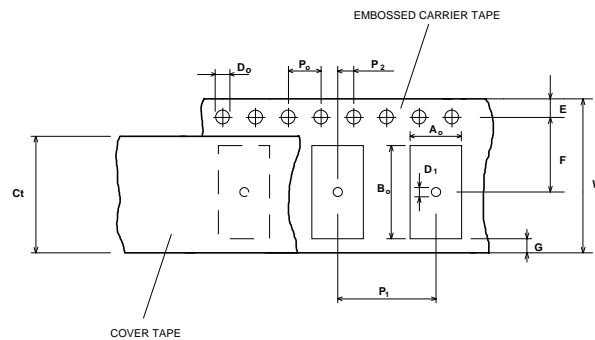
Packing:

Tape & Reel: IEC 286 - 3, with exception of value for N and minimum bending radius;
tape type II, embossed carrier tape with top cover tape on the upper side;

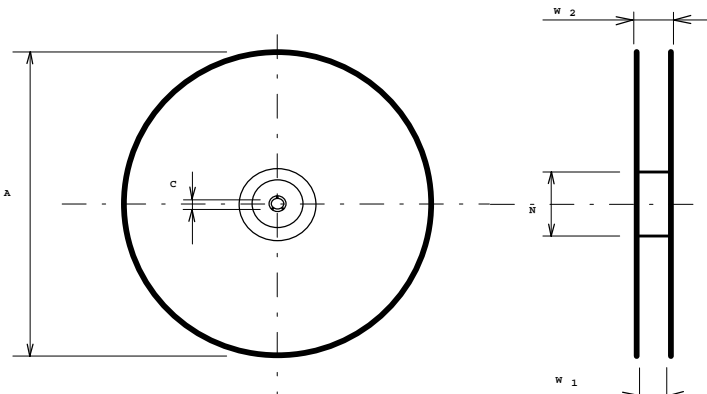
max. pieces of filters per reel: 3000
Reel of empty components at start: min 300 mm
Reel of empty components at start including leader: min 500 mm
Trailer min 300 mm

Tape (all dimensions in mm)

W	: 16 ± 0,3
Po	: 4 ± 0,1
Do	: 1,5 + 0,5
E	: 1,75 ± 0,1
F	: 7,5 ± 0,1
G (min)	: 0,6
P2	: 2 ± 0,1
P1	: 8 ± 0,1
D1(min)	: 1,5
Ao	: 5,5 ± 0,1
Bo	: 7,5 ± 0,1
Ct	: 13,5+/-0,1

www.DataSheet4U.com**Reel (all dimensions in mm):**

A	: 330
W1	: 16,4 + 2
W2 (max)	: 22,4
N (min)	: 50
C	: 13 + 0,5 - 0,2



The minimum bending radius is 45 mm. The mounting surface of the filters faces the bottom side of the embossed carrier tape. The marking of the filters is readable if the sprocket holes are on the left side of the tape, i.e. pin 1 identifier is close to the sprocket holes.

VI TELEFILTER

Potsdamer Straße 18
D 14 513 TELTOW / Germany
Tel: (+49) 3328 4784- 0/ Fax: (+49) 3328 4784-30
E-Mail: tft@telefilter.com

Vectron International, Inc.
267 Lowell Road
Hudson, NH 03051 / USA
Tel: (603) 598-0070 Fax: (603) 598-0075
E-Mail: vti@vtinh.com

VI TELEFILTER reserves the right to make changes to the product(s) and/or information contained herein without notice. No liability is assumed as a result of their use or application. No rights under any patent accompany the sale of any such product(s) or information.

VI TELEFILTER**Filter specification****TFS 110R****4/5****Air reflow temperature conditions**

1st and 2nd air reflow profile

Name:	pre-heating periods	main-heating periods	peak temperature
Temperature:	150 °C - 170 °C	over 200 °C	255 °C ± 5 °C
Time:	60 sec. - 90 sec.	20 sec. - 25 sec.	

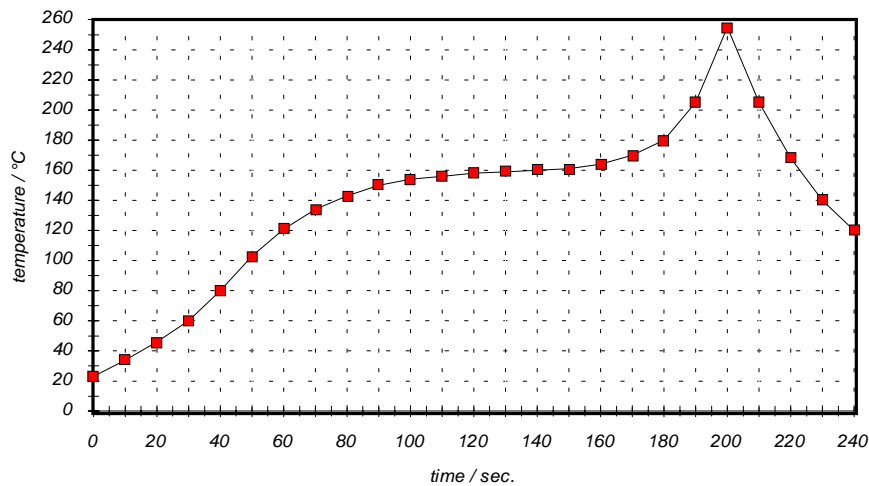
Chip-mount air reflow profile

Table for temperature vs. time during the air reflow process

Tolerance of temperatures: ± 5 °C

time / sec.	temperature / °C	time / sec.	temperature / °C
0	23	140	160
10	34	150	161
20	46	160	164
30	60	170	170
40	80	180	180
50	103	190	205
60	121	195	230
70	134	200	255
80	143	205	230
90	150	210	205
100	154	215	180
110	156	220	165
120	158	230	140
130	159	240	120

www.DataSheet4U.com

VI TELEFILTER
 Potsdamer Straße 18
 D 14 513 TELTOW / Germany
 Tel: (+49) 3328 4784- 0/ Fax: (+49) 3328 4784-30
 E-Mail: tft@telefilter.com

Vectron International, Inc.
 267 Lowell Road
 Hudson, NH 03051 / USA
 Tel: (603) 598-0070 Fax: (603) 598-0075
 E-Mail: vti@vtinh.com

VI TELEFILTER reserves the right to make changes to the product(s) and/or information contained herein without notice. No liability is assumed as a result of their use or application. No rights under any patent accompany the sale of any such product(s) or information.

VI TELEFILTER	Filter specification	TFS 110R	5/5
----------------------	-----------------------------	-----------------	------------

History

Version	Reason of Changes	Name	Date
1.2.	- tape and reel dimensions corrected	Steiner	30.11.00