

**VI TELEFILTER****Filter Specification****TFS 112H - 1/5****1. Measurement condition :**

Ambient temperature  $T_A$ : 23 °C  
 Input power level: 0 dBm.  
 Terminating impedances at  $f_C$ : for input: 565  $\Omega$  | - 6,5 pF.  
 for output: 650  $\Omega$  | - 5,7 pF.  
 Q-value of matching elements: 50...70

**2. Characteristics :**

Remark:

Reference level for the relative attenuation  $a_{rel}$  of the TFS 112H is the minimum of the passband attenuation  $a_{min}$ . The minimum of the passband attenuation  $a_{min}$  is defined as the insertion loss  $a_e$ . The reference frequency  $f_C$  is the arithmetic mean value of the upper and lower frequencies at the 30 dB filter attenuation level relative to the insertion loss  $a_e$ .

<b>D a t a</b>	<b>typ. value</b>	<b>tolerance / limit</b>
<b>Insertion loss (Reference level) <math>a_e</math></b>	13,5 dB	max. 14 dB
<b>Reference frequency <math>f_C</math> ( BW(-30 dB) )</b>	112,32 MHz	112,320 $\pm$ 0,035 MHz
<b>Bandwidth at ambient temperature:</b>		
3 dB bandwidth	1,05 MHz	min. 0,95 MHz
10 dB bandwidth	1,72 MHz	min. 1,63 MHz
20 dB bandwidth	2,17 MHz	max. 2,35 MHz
30 dB bandwidth	2,45 MHz	max. 2,60 MHz
40 dB bandwidth	2,66 MHz	max. 2,95 MHz
<b>Relative attenuation <math>a_{rel}</math></b>		
$f_C$ ..... $f_C \pm 0,475$ MHz	-	max. 3 dB
$f_C \pm 0,475$ MHz ... $f_C \pm 0,815$ MHz	-	max. 10 dB
$f_C \pm 1,175$ MHz ... $f_C \pm 1,300$ MHz	-	min. 20 dB
$f_C \pm 1,300$ MHz ... $f_C \pm 1,475$ MHz	-	min. 30 dB
$f_C \pm 1,475$ MHz ... $f_C \pm 5,0$ MHz	> 45 dB	min. 40 dB
$f_C + 5,0$ MHz ... $f_C + 7,5$ MHz	26 dB	min. 22 dB
$f_C + 7,5$ MHz ... $f_C + 17,28$ MHz	> 32 dB	min. 25 dB
$f_C + 17,28$ MHz ... $f_C + 20$ MHz	> 40 dB	min. 35 dB
$f_C - 20$ MHz ... $f_C - 5$ MHz	42...45 dB	min. 35 dB
<b>Average group delay in <math>f_C</math> ... <math>f_C \pm 800</math> kHz :</b>	1,35 $\mu$ s	
<b>Group delay ripple in <math>f_C</math> ... <math>f_C \pm 800</math> kHz :</b>	150 ns	max. 300 ns
<b>Frequency inversion temperature ( <math>T_o</math> )</b>	20 °C	
<b>Temperature coefficient ( <math>Tc1_f</math> ) 1st order *)</b>	0 ppm/K	max. $\pm 7,5$ ppm/K
<b>Temperature coefficient ( <math>Tc2_f</math> ) 2nd order **)</b>	- 0,036 ppm/K <sup>2</sup>	-
<b>Operating temperature range</b>		- 20 °C ... + 85 °C
<b>Storage temperature range</b>		- 25 °C ... + 90 °C
<b>Input power level</b>	-	max. 10 dBm
<b>Permissible DC voltage <math>V_{DC}</math></b>	-	12 V
<b>Permissible AC voltage <math>V_{pp}</math></b>	-	10 V

\*)  $\Delta f_C(\text{Hz}) = Tc1_f(\text{ppm/K}) \times (T - T_o) \times f_{T_o}(\text{MHz})$

\*\*)  $\Delta f_C(\text{Hz}) = Tc2_f(\text{ppm/K}^2) \times (T - T_o)^2 \times f_{T_o}(\text{MHz})$

$f_{T_o}$  is reference frequency  $f_C$  at frequency inversion temperature ( $T_o$ )

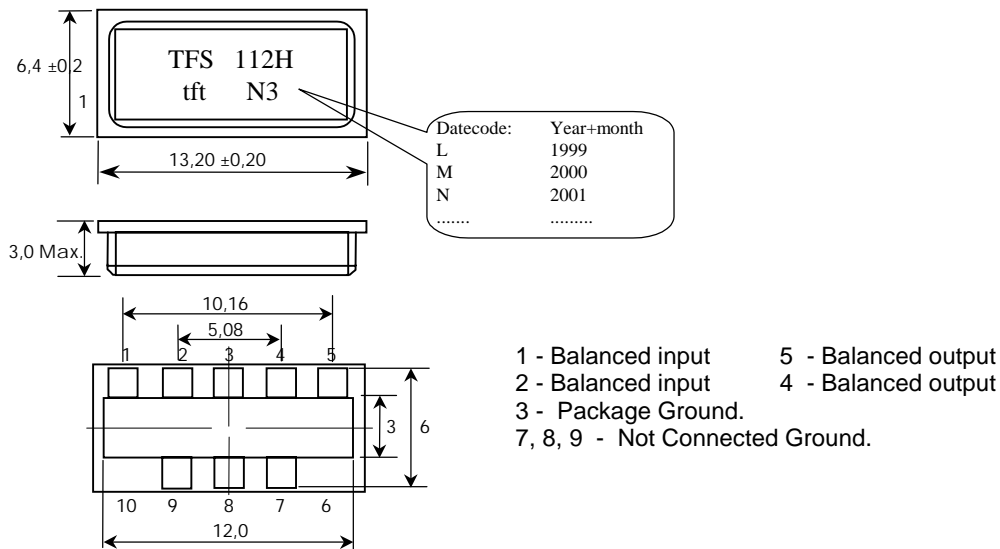
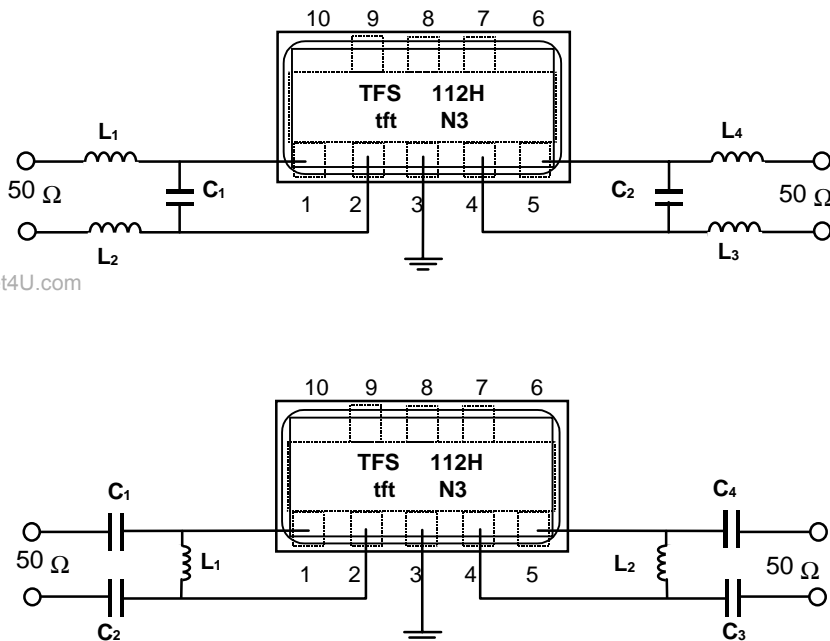
**Generated:** \_\_\_\_\_ **Dunzow W.**

**Checked/Approved:** \_\_\_\_\_

**VI TELEFILTER**  
**Potsdamer Straße 18**  
**D 14 513 TELTOW / Germany**  
**Tel: (+49) 3328 4784-0 / Fax: (+49) 3328 4784-30**  
**e-mail: [fft@telefilter.com](mailto:fft@telefilter.com)**

**Vectron International, Inc.**  
**267 Lowell Road**  
**Hudson, NH 03051 / USA**  
**Tel: (603) 598-0070 Fax: (603) 598-0075**  
**e-mail: [vti@vtinh.com](mailto:vti@vtinh.com)**

VI TELEFILTER reserves the right to make changes to the product(s) and/or information contained herein without notice. No liability is assumed as a result of their use or application. No rights under any patent accompany the sale of any such product(s) or information.

**VI TELEFILTER****Filter Specification****TFS 112H - 2/5****3. Package and pin connection :** (All dimensions in mm)**4. 50 Ω - matching network ( Principal scheme ) :**

About matching element values and unbalanced Scheme see Application Note.

**VI TELEFILTER**  
 Potsdamer Straße 18  
 D 14 513 TELTOW / Germany  
 Tel: (+49) 3328 4784-0 / Fax: (+49) 3328 4784-30  
 e-mail: [tft@telefilter.com](mailto:tft@telefilter.com)

**Vectron International, Inc.**  
 267 Lowell Road  
 Hudson, NH 03051 / USA  
 Tel: (603) 598-0070 Fax: (603) 598-0075  
 e-mail: [vti@vtinh.com](mailto:vti@vtinh.com)

VI TELEFILTER reserves the right to make changes to the product(s) and/or information contained herein without notice. No liability is assumed as a result of their use or application. No rights under any patent accompany the sale of any such product(s) or information.

**VI TELEFILTER****Filter Specification****TFS 112H - 3/5****5. Stability Characteristics :**

After the following tests the filter shall meet the whole specification:

1. Shock: 500g, 18 ms, half sine wave, 3 shocks each plane;  
DIN IEC 68 T2 - 27
2. Vibration: 10 Hz to 500 Hz, 0,35 mm or 5g respectively, 1 octave per min, 10 cycles per plan, 3 plans;  
DIN IEC 68 T2 - 6
3. Resistance to solder heat (reflow): max. 2 times reflow process;  
for temperature conditions refer to the attached "Air reflow temperature conditions" on page 4;

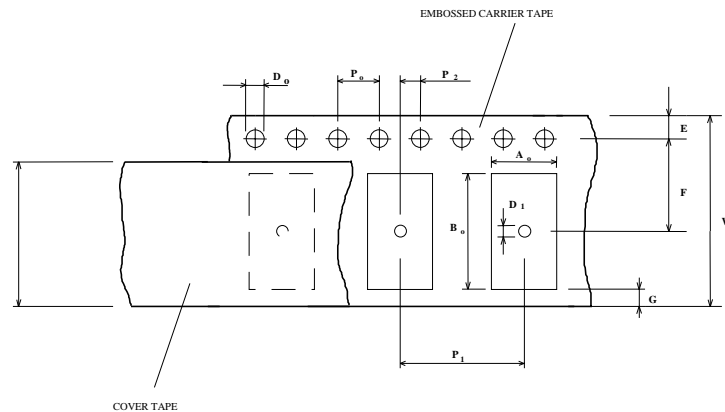
**6. Packing :**

Tape & Reel: DIN IEC 286 - 3, with exception of value for N and minimum bending radius;  
tape type II, embossed carrier tape with top cover tape on the upper side;

max. pieces of filters per reel: 1700  
reel of empty components at start: min 300 mm  
reel of empty components at start including leader: min 500 mm  
Trailer: min 300 mm

**Tape (all dimensions in mm)**

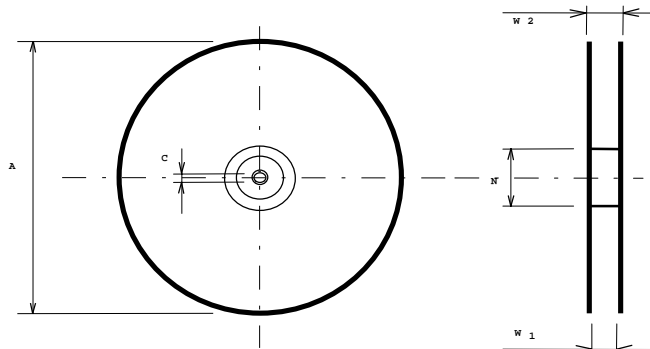
W	:	24 ± 0,3
Po	:	4 ± 0,1
Do	:	1,5 ± 0,1
E	:	1,75 ± 0,1
F	:	7,5 ± 0,1
G (min)	:	0,6
P2	:	2 ± 0,1
P1	:	12 ± 0,1
D1(min)	:	1,5
Ao	:	7,1 ± 0,2
Bo	:	13,9 ± 0,2
CT	:	21,5 ± 0,1



www.DataSheet4U.com

**Reel (all dimensions in mm):**

A	:	330
W1	:	32,4 +2
W2 (max)	:	38,4
N (min)	:	100
C	:	13 +0,5/-0,2



The minimum bending radius is 45 mm. The mounting surface of the filters faces the bottom side of the embossed carrier tape. The marking of the filters is able to read if the view is directed on the upper side of the carrier tape with the sprocket holes on the right side of the tape.

**VI TELEFILTER****Potsdamer Straße 18****D 14 513 TELTOW / Germany****Tel: (+49) 3328 4784-0 / Fax: (+49) 3328 4784-30****e-mail: tft@telefilter.com****Vectron International, Inc.****267 Lowell Road****Hudson, NH 03051 / USA****Tel: (603) 598-0070 Fax: (603) 598-0075****e-mail: vti@vtinh.com**

VI TELEFILTER reserves the right to make changes to the product(s) and/or information contained herein without notice. No liability is assumed as a result of their use or application. No rights under any patent accompany the sale of any such product(s) or information.

**VI TELEFILTER**

**Filter Specification**

**TFS 112H - 4/5**

**7. Air reflow temperature conditions :**

1st and 2nd air reflow profile

Name:	pre-heating periods	main-heating periods	peak temperature
Temperature:	150 °C - 170 °C	over 200 °C	255 °C ± 5 °C
Time:	60 sec. - 90 sec.	20 sec. - 25 sec.	

**Air reflow profile**

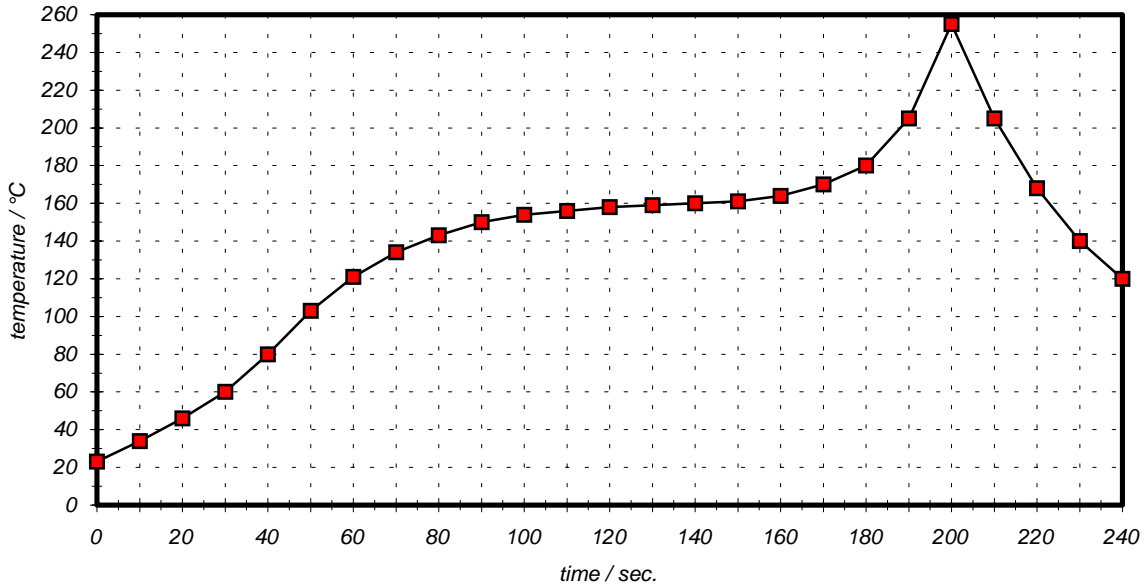


Table for temperature vs. time during the air reflow process

Tolerance of temperatures: ± 5 °C

www.DataSheet4U.com

time / sec.	temperature / °C	time / sec.	temperature / °C
0	23	140	160
10	34	150	161
20	46	160	164
30	60	170	170
40	80	180	180
50	103	190	205
60	121	195	230
70	134	200	255
80	143	205	230
90	150	210	205
100	154	215	180
110	156	220	165
120	158	230	140
130	159	240	120

**VI TELEFILTER**  
 Potsdamer Straße 18  
 D 14 513 TELTOW / Germany  
 Tel: (+49) 3328 4784-0 / Fax: (+49) 3328 4784-30  
 e-mail: [tft@telefilter.com](mailto:tft@telefilter.com)

**Vectron International, Inc.**  
 267 Lowell Road  
 Hudson, NH 03051 / USA  
 Tel: (603) 598-0070 Fax: (603) 598-0075  
 e-mail: [vti@vtinh.com](mailto:vti@vtinh.com)

VI TELEFILTER reserves the right to make changes to the product(s) and/or information contained herein without notice. No liability is assumed as a result of their use or application. No rights under any patent accompany the sale of any such product(s) or information.

**VI TELEFILTER****Filter Specification****TFS 112H - 5/5****History**

<b>Version</b>	<b>Reason of Changes</b>	<b>Name</b>	<b>Date</b>
1.0	Generate filter specification according to customer requirements.	Dunzow W.	16.10.2000
1.1	Delete unbalanced matching networks.	Dunzow W	19.10.2000
1.2	Edit termination impedances . Change limit lines in selection : in $f_c + 5,0 \text{ MHz} \dots f_c + 7,50 \text{ MHz}$ from min. 27 dB to min. 22 dB, in $f_c + 7,5 \text{ MHz} \dots f_c + 17,28 \text{ MHz}$ from min. 30 dB to min. 25 dB, in $f_c + 17,28 \text{ MHz} \dots$ from min. 40 dB to min. 35 dB.	Dunzow W	17.11.2000
1.3	Format correction.	Dunzow W.	14.02.2001