

VI TELEFILTER**Filter specification****TFS 400 A 1/4****Application**

The filter is suitable for GSM, DCS 1800 and dual band receivers. It can especially be used in the first IF in which full channel selectivity is not necessary. Due to the high frequency the filter is small, thus it saves cost and space on the printed circuit board. As it has symmetrical input and output it does not need any transformation networks in state of the art IC transceiver concepts in which symmetrical inputs and outputs are favourable.

Measurement condition

Ambient temperature: 23 °C

Input power level: 0 dBm

Source impedance: balanced 770 Ω || - 0.8 pF

Load impedance: balanced 770 Ω || - 0.8 pF

www.DataSheet4U.com

Construction and pin configuration

see page 2

Characteristics**Remark:**

Reference level for the relative attenuation a_{rel} of the TFS 400 A is the minimum of the pass band attenuation a_{min} . The minimum of the pass band attenuation a_{min} is defined as the insertion loss a_e . The centre frequency f_0 is the arithmetic mean value of the upper and lower frequencies at the 3 dB filter attenuation level relative to the insertion loss a_e . The nominal frequency f_N is fixed on 400,000 MHz without tolerance. The given values for the relative attenuation a_{rel} and for the group delay ripple have to be reached at the frequencies given below also if the centre frequency f_0 is shifted due to the temperature coefficient of frequency TC_f in the operating temperature range and due to a production tolerance for the centre frequency f_0 .

D a t a		typ. value	tolerance/limit
Insertion loss (Reference level)	$a_e = a_{min}$	4,5	max. 6,5 dB
Centre frequency	f_N	-	400,000 MHz
Centre frequency	f_0	400,012 MHz	-
3 dB bandwidth	BW	360 kHz	min. 280 kHz
Relative attenuation	a_{rel}		
400 MHz ± 70 kHz		1 dB	max. 3 dB
400 MHz ± 400 kHz		25 dB	min. 15 dB
400 MHz ± 600 kHz		35 dB	min. 27 dB
400 MHz ± >1 MHz ... $f \pm 13$ MHz		44 dB	min. 35 dB
Group delay ripple	GD		
400 MHz ± 70 kHz		0,5 μs	max. 2 μs
Operating temperature range		- 20 °C ... + 70 °C	
Temperature coefficient of frequency	TC	ca. - 0.036 ppm/K ²	
Frequency inversion temperature		+ 20 °C	

Generated:**Checked / approved:**

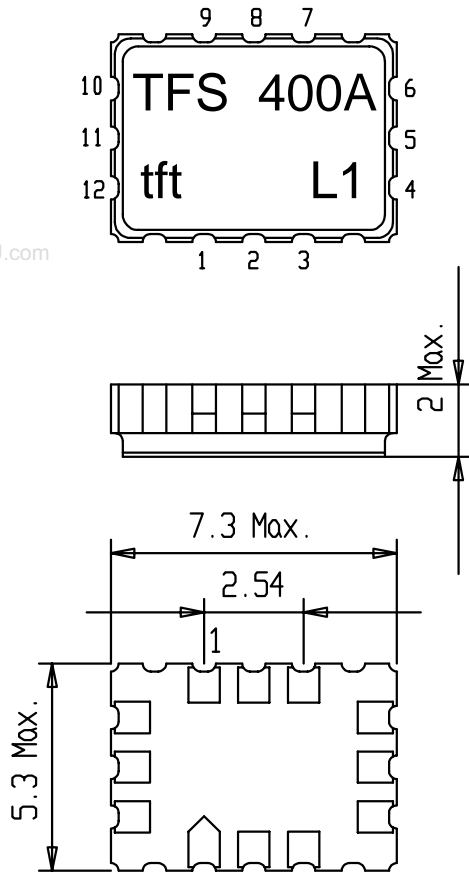
VI TELEFILTER
 Potsdamer Straße 18
 D 14 513 TELTOW / Germany
 Tel: (+49) 3328 4784-52 / Fax: (+49) 3328 4784-30
 E-Mail: tft@telefilter.com

Vectron International, Inc.
 267 Lowell Road
 Hudson, NH 03051 / USA
 Tel: (603) 598-0070 Fax: (603) 598-0075
 E-Mail: vti@vtinh.com

VI TELEFILTER reserves the right to make changes to the product(s) and/or information contained herein without notice. No liability is assumed as a result of their use or application. No rights under any patent accompany the sale of any such product(s) or information.

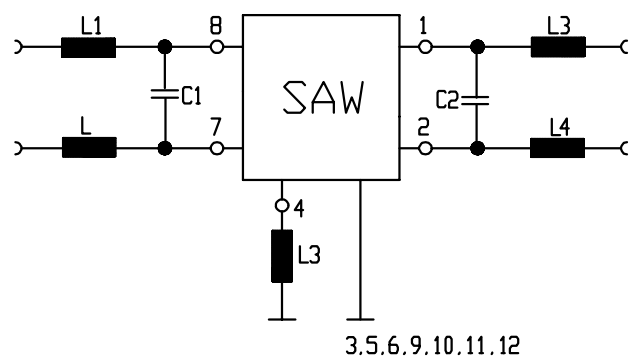
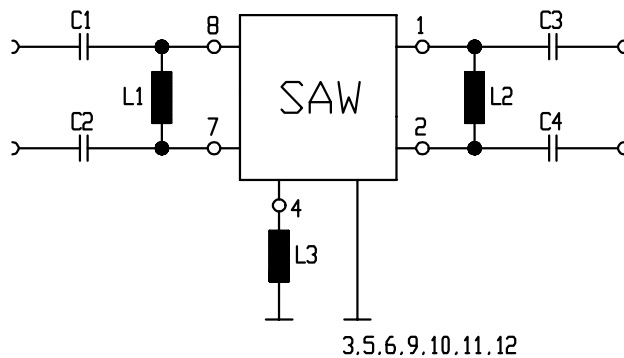
Construction, pin configuration and 50 Ω - matching network

(All dimensions in mm)



- | | |
|-----------------|--------------|
| 1 Sym. Output | 7 Sym. Input |
| 2 Sym. Output | 8 Sym. Input |
| 3 Ground | 9 Ground |
| 4 External Coil | 10 Ground |
| 5 Ground | 11 Ground |
| 6 Ground | 12 Ground |

50 Ω - matching network:



VI TELEFILTER
 Potsdamer Straße 18
 D 14 513 TELTOW / Germany
 Tel: (+49) 3328 4784-52 / Fax: (+49) 3328 4784-30
 E-Mail: tft@telefilter.com

Vectron International, Inc.
 267 Lowell Road
 Hudson, NH 03051 / USA
 Tel: (603) 598-0070 Fax: (603) 598-0075
 E-Mail: vti@vtinh.com

VI TELEFILTER reserves the right to make changes to the product(s) and/or information contained herein without notice. No liability is assumed as a result of their use or application. No rights under any patent accompany the sale of any such product(s) or information.

VI TELEFILTER**Filter specification****TFS 400 A 3/4****Stability characteristics**

After the following tests the filter shall meet the whole specification:

1. Shock: 30g, 18 ms, half sine wave, 3 shocks each plane;
IEC 68 - 2 - 27
2. Vibration: 10 Hz to 150 Hz, 0.35 mm amplitude, 5g; 2 hours for 3 planes;
IEC 68 - 2 - 6
3. Damp heat: 90 % to 95 % rel. humidity, 40 °C, 10 days;
IEC 68 - 2 - 3
4. Resistance to solder heat (Reflow): 260 °C for 10 sec;

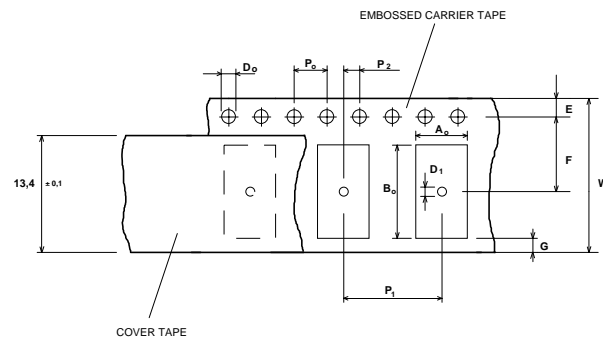
Packing

Tape & Reel: IEC 286 - 3, with exception of value for N and minimum bending radius;
tape type II, embossed carrier tape with top cover tape on the upper side;

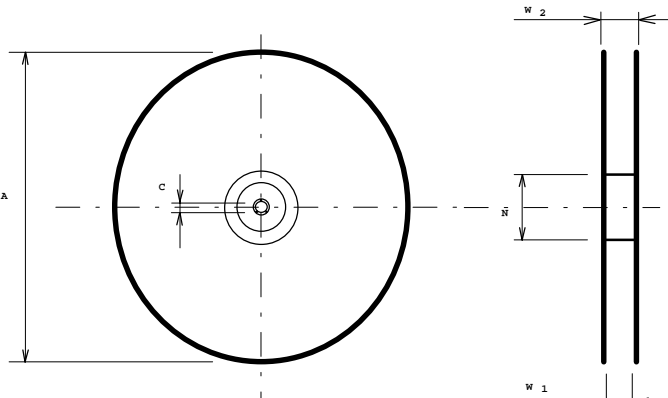
max. pieces of filters per reel: 3000

Tape (all dimensions in mm)

W	:	16	± 0,3
Po	:	4	± 0,1
Do	:	1,5	+ 0,5
D1	:	1,5	+ 0,5
E	:	1,75	± 0,1
F	:	7,5	± 0,1
G (min)	:	0,75	
P2	:	2	± 0,05
P1	:	8	± 0,1
D1(min)	:	1,5	
Ao	:	5,4	± 0,1
Bo	:	7,4	± 0,1

**Reel (all dimensions in mm):**

A	:	330
W1	:	16,4 +2
W2 (max)	:	22,4
N (min)	:	>= 90
C	:	13 ± 0,25



The minimum bending radius is 45 mm. The mounting surface of the filters faces the bottom side of the embossed carrier tape. The marking of the filters is able to read if the view is directed on the upper side of the carrier tape with the sprocket holes on the right side of the tape.

VI TELEFILTER
Potsdamer Straße 18
D 14 513 TELTOW / Germany
Tel: (+49) 3328 4784-52 / Fax: (+49) 3328 4784-30
E-Mail: tft@telefilter.com

Vectron International, Inc.
267 Lowell Road
Hudson, NH 03051 / USA
Tel: (603) 598-0070 Fax: (603) 598-0075
E-Mail: vti@vtinh.com

VI TELEFILTER reserves the right to make changes to the product(s) and/or information contained herein without notice. No liability is assumed as a result of their use or application. No rights under any patent accompany the sale of any such product(s) or information.

Air reflow temperature conditions

1st and 2nd air reflow profile

Name:	pre-heating periods	main-heating periods	peak temperature
Temperature:	150 °C - 170 °C	over 200 °C	255 °C ± 5 °C
Time:	60 sec. - 90 sec.	20 sec. - 25 sec.	

www.DataSheet4U.com

Chip-mount air reflow profile

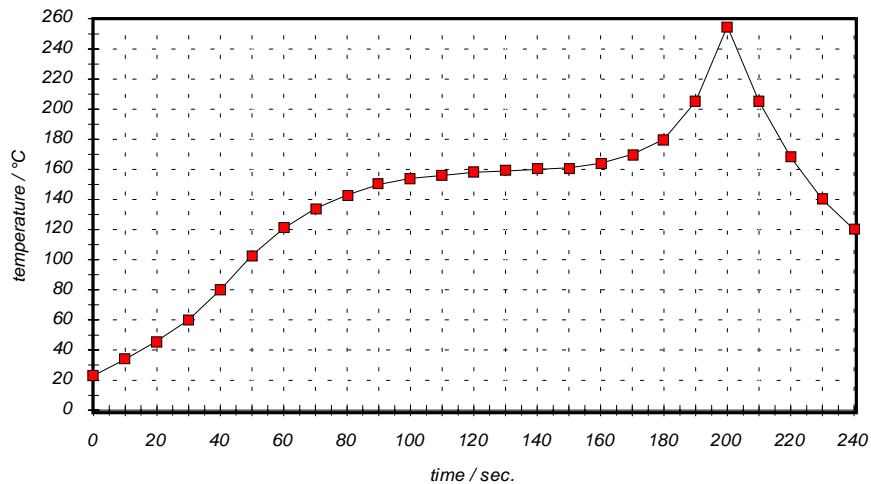


Table for temperature vs. time during the air reflow process

Tolerance of temperatures: ± 5 °C

time / sec.	temperature / °C	time / sec.	temperature / °C
0	23	140	160
10	34	150	161
20	46	160	164
30	60	170	170
40	80	180	180
50	103	190	205
60	121	195	230
70	134	200	255
80	143	205	230
90	150	210	205
100	154	215	180
110	156	220	165
120	158	230	140
130	159	240	120

VI TELEFILTER
 Potsdamer Straße 18
 D 14 513 TELTOW / Germany
 Tel: (+49) 3328 4784-52 / Fax: (+49) 3328 4784-30
 E-Mail: tft@telefilter.com

Vectron International, Inc.
 267 Lowell Road
 Hudson, NH 03051 / USA
 Tel: (603) 598-0070 Fax: (603) 598-0075
 E-Mail: vti@vtinh.com

VI TELEFILTER reserves the right to make changes to the product(s) and/or information contained herein without notice. No liability is assumed as a result of their use or application. No rights under any patent accompany the sale of any such product(s) or information.