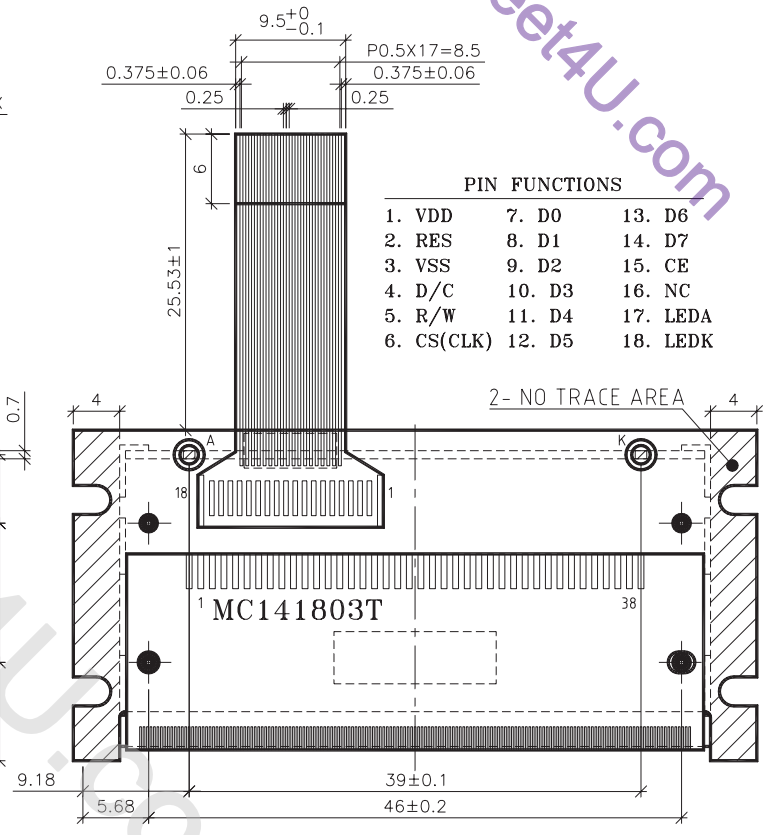
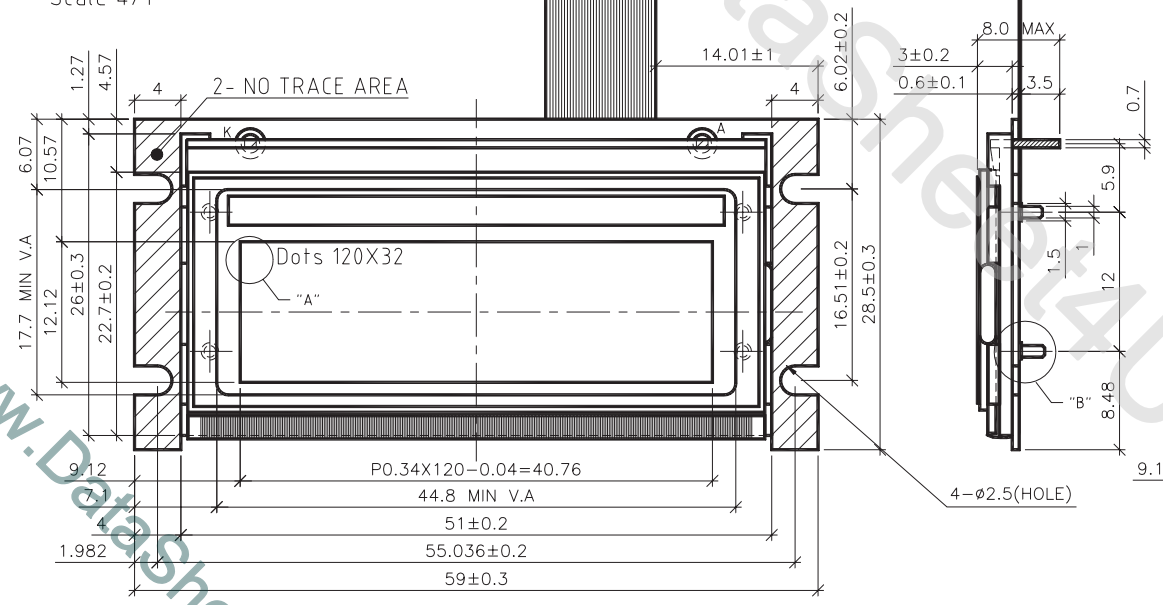


Connector: molex 52745-1890  
FPC contact side

PIN FUNCTIONS

|            |        |          |
|------------|--------|----------|
| 1. VDD     | 7. D0  | 13. D6   |
| 2. RES     | 8. D1  | 14. D7   |
| 3. VSS     | 9. D2  | 15. CE   |
| 4. D/C     | 10. D3 | 16. NC   |
| 5. R/W     | 11. D4 | 17. LEDA |
| 6. CS(CLK) | 12. D5 | 18. LEDK |



Note: tolerance is ±0.3 unless otherwise noted.